



US00D583829S

(12) **United States Design Patent**
Fan

(10) **Patent No.:** **US D583,829 S**

(45) **Date of Patent:** **** Dec. 30, 2008**

(54) **GASOLINE ENGINE**

D521,529 S * 5/2006 Wu et al. D15/1
D561,784 S 2/2008 Yin et al.

(75) Inventor: **Wen Fan**, Chongqing (CN)

* cited by examiner

(73) Assignee: **Lifan Industry (Group) Co., Ltd.**,
Shapingba District, Chongqing (CN)

Primary Examiner—Lisa P Lichtenstein
(74) *Attorney, Agent, or Firm*—Kenyon & Kenyon LLP

(**) Term: **14 Years**

(57) **CLAIM**

(21) Appl. No.: **29/307,197**

The ornamental design for a gasoline engine, as shown and described.

(22) Filed: **Apr. 4, 2008**

(51) **LOC (8) Cl.** **15-01**

(52) **U.S. Cl.** **D15/1**

(58) **Field of Classification Search** D15/1,
D15/3, 5, 17; 123/50 A, 50 B, 50 R, 198 E,
123/306, 308, 667, 41.7, 70 R

See application file for complete search history.

DESCRIPTION

FIG. 1 is a front view of a gasoline engine showing our new design;

FIG. 2 is a back view thereof;

FIG. 3 is a top view thereof;

FIG. 4 is a bottom view thereof;

FIG. 5 is a left side view thereof;

FIG. 6 is a right side view thereof; and,

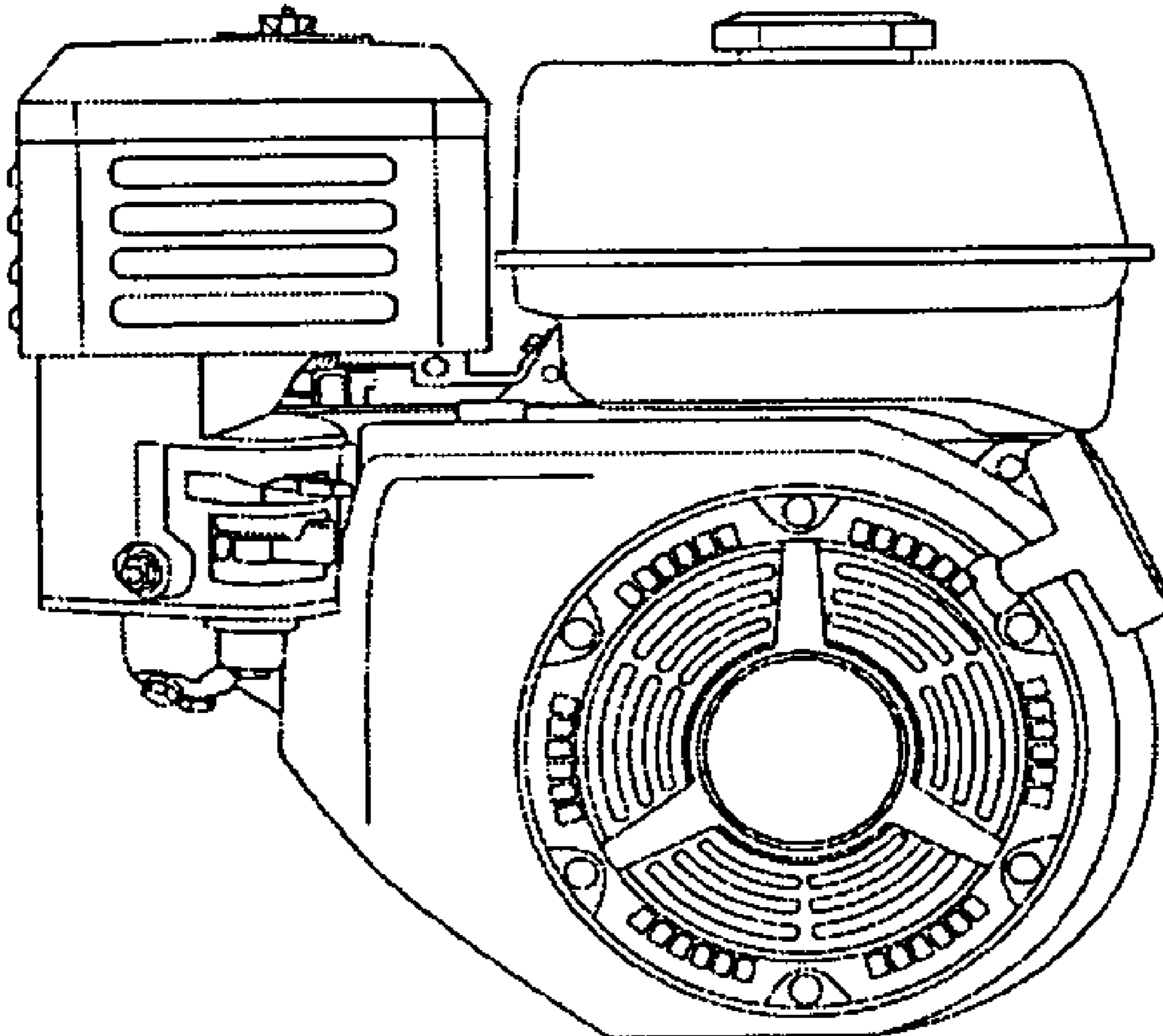
FIG. 7 is a perspective view thereof.

(56) **References Cited**

U.S. PATENT DOCUMENTS

D396,476 S * 7/1998 Shimizu D15/1
D449,051 S * 10/2001 Miyashita D15/1
D516,580 S * 3/2006 Li D15/1

1 Claim, 4 Drawing Sheets



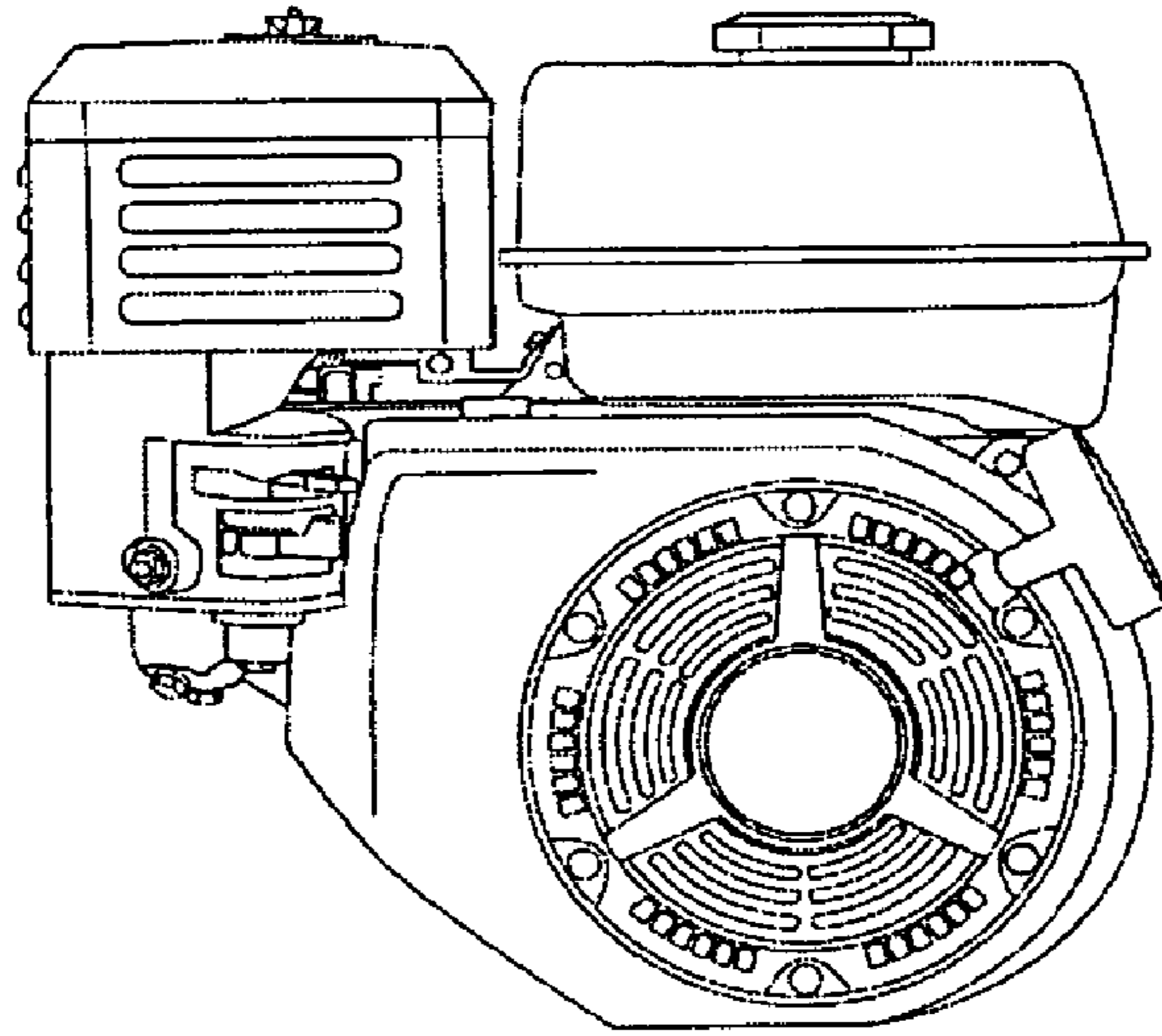


Fig. 1

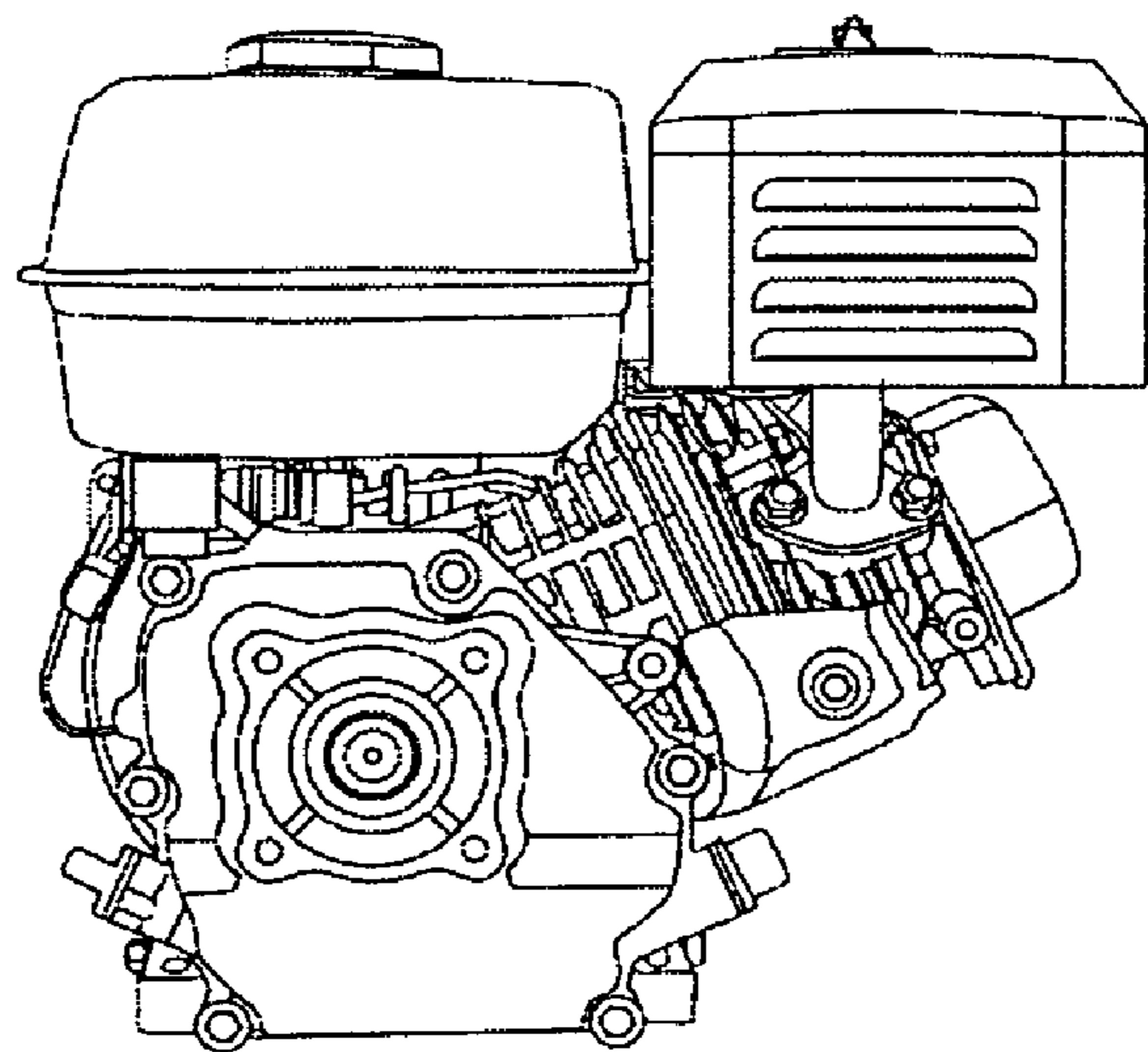


Fig. 2

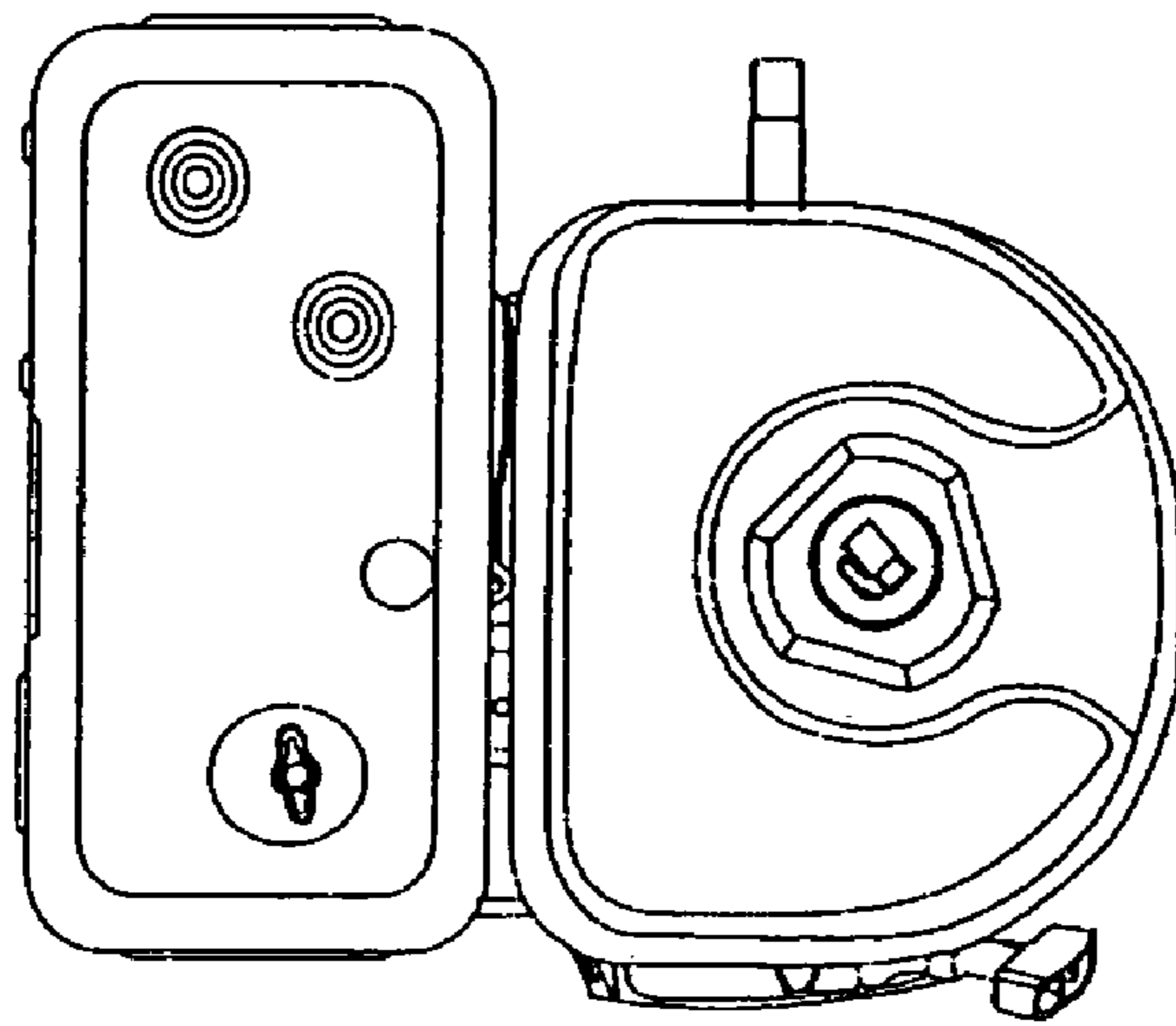


Fig. 3

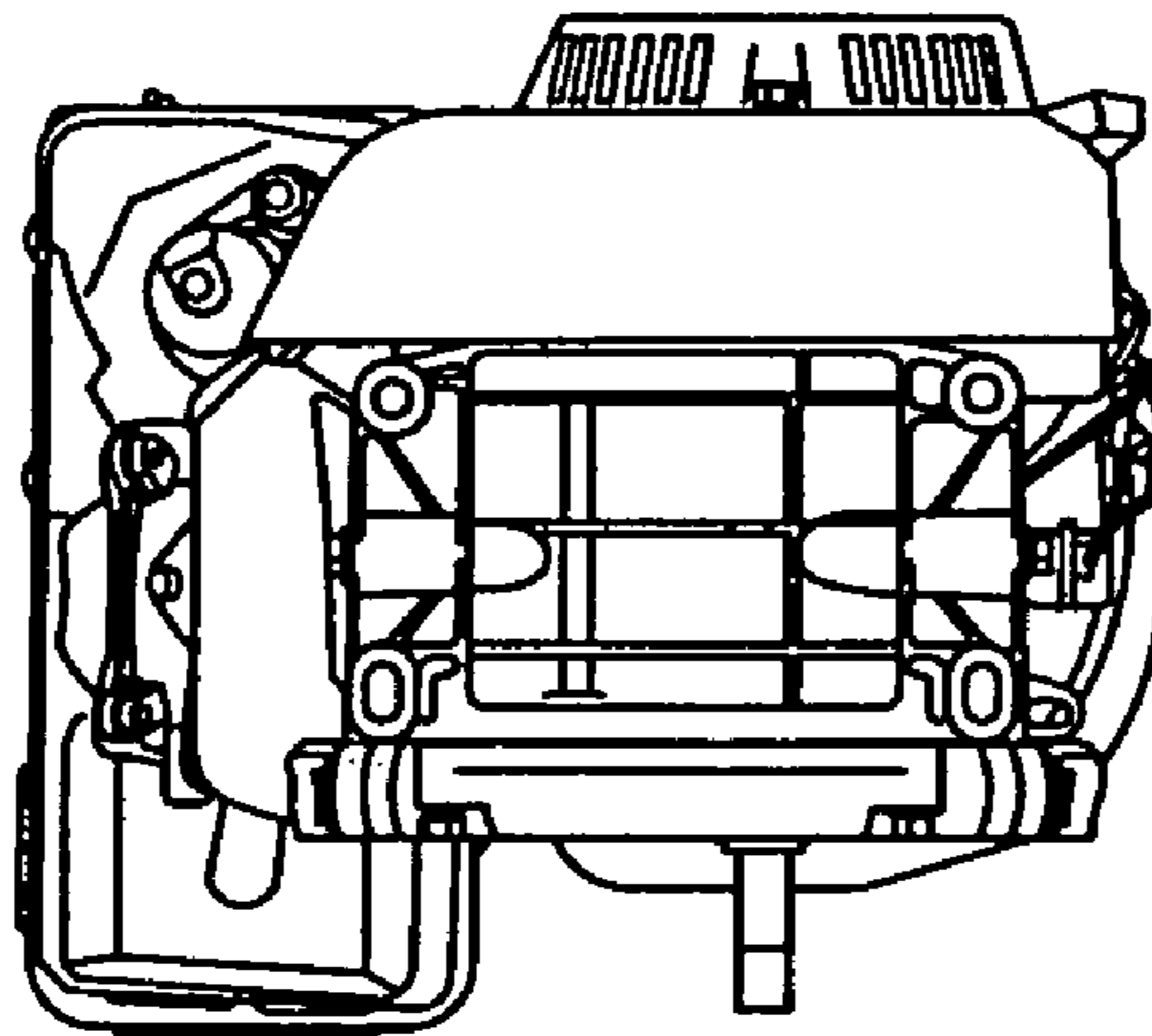


Fig. 4

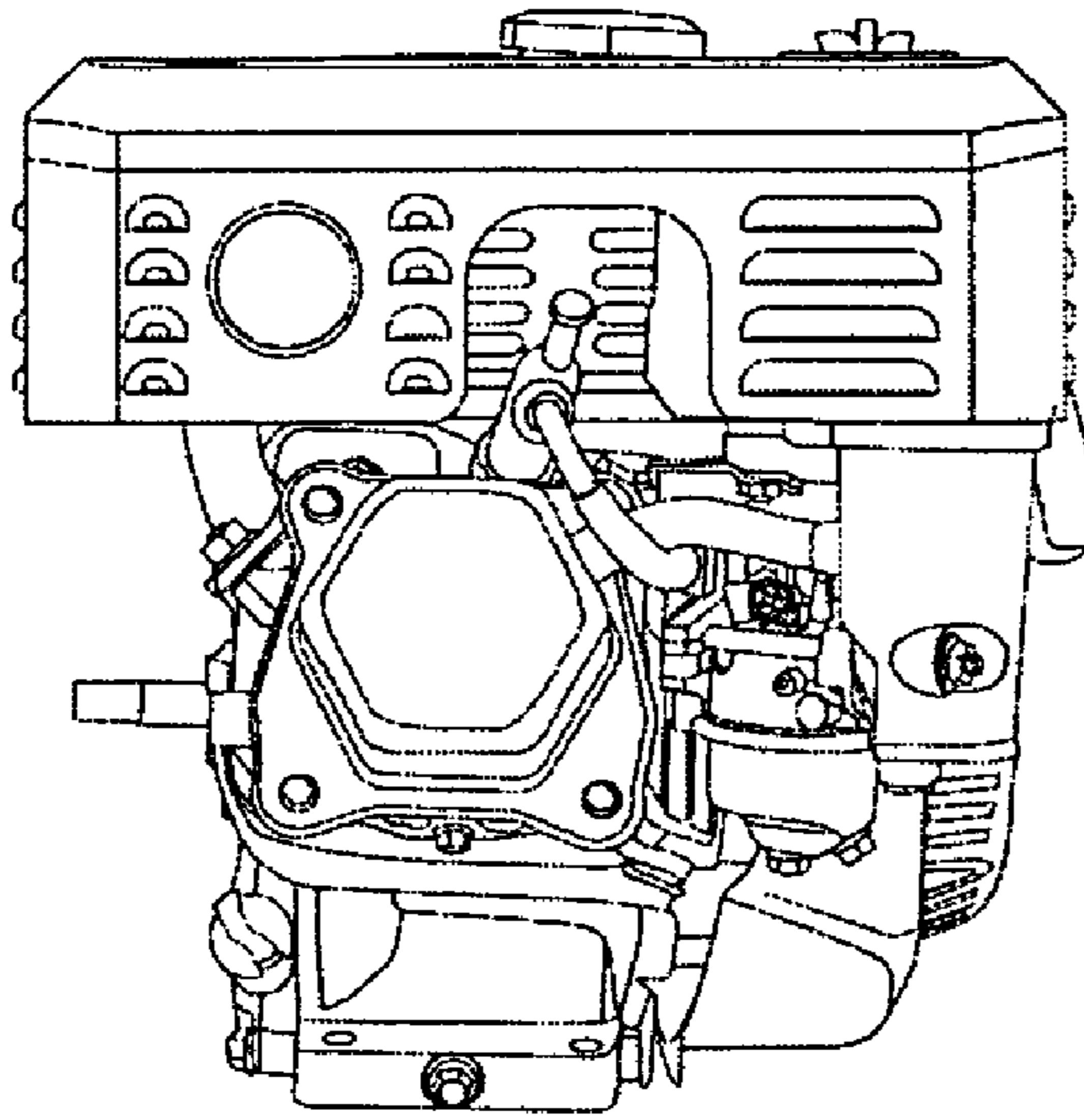


Fig. 5

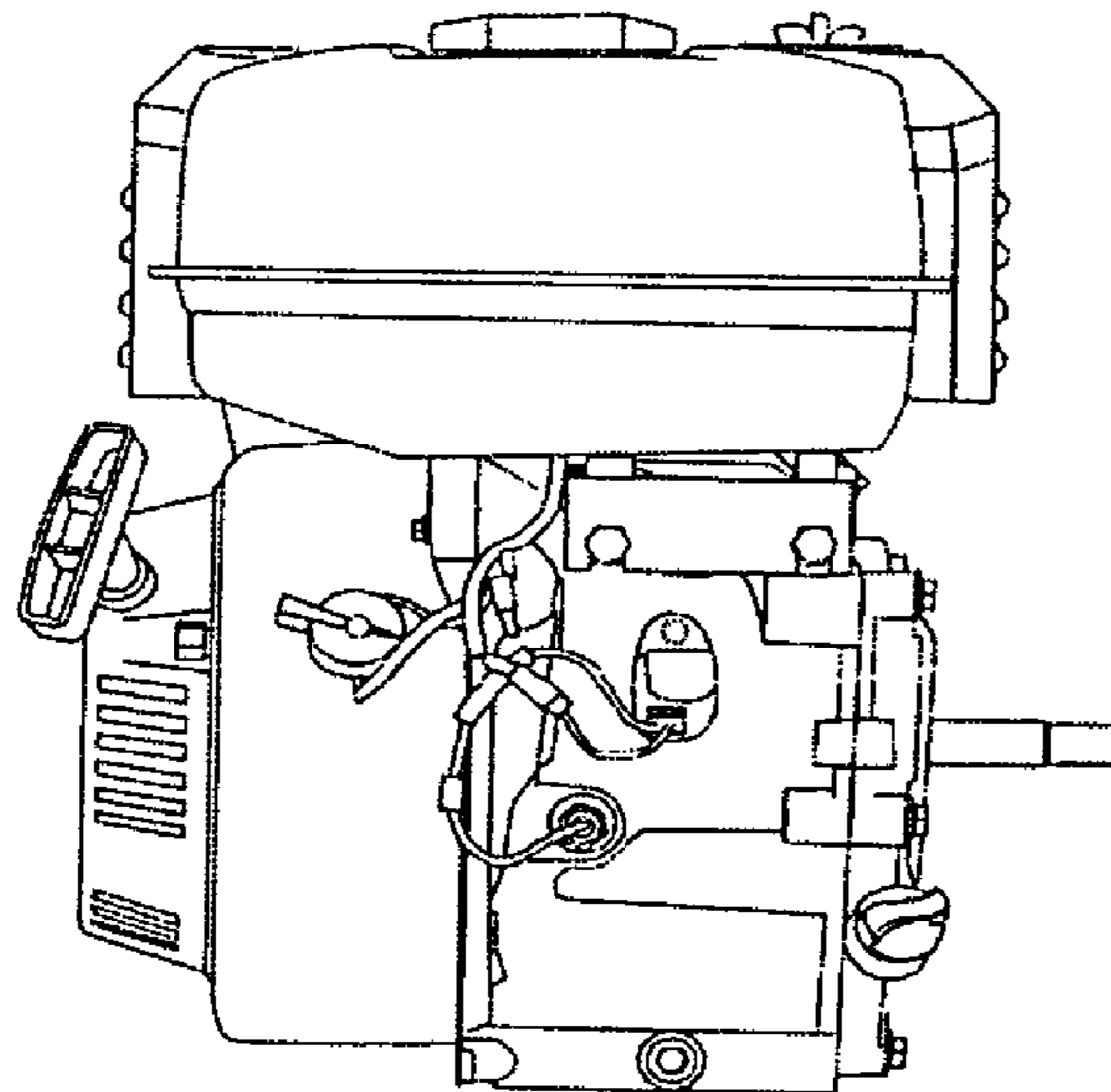


Fig. 6

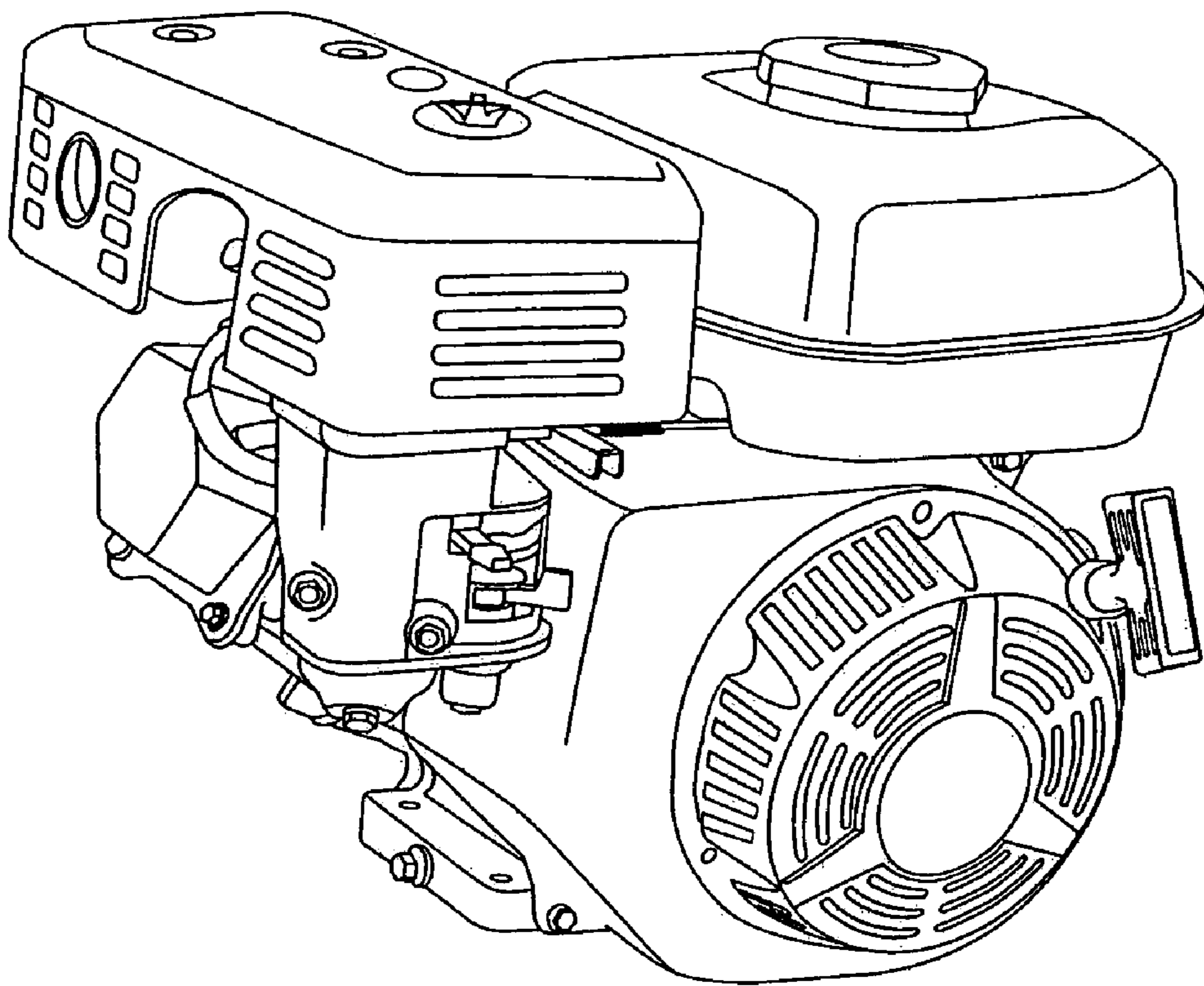


Fig. 7