



US00D583828S

(12) **United States Design Patent**  
**Li et al.**

(10) **Patent No.:** **US D583,828 S**  
(45) **Date of Patent:** **\*\* Dec. 30, 2008**

(54) **MEDIA PLAYER**

(75) Inventors: **Qing Li**, Singapore (SG); **Kok Chong Anthony Oh**, Johor Bahru (MY); **Ai Wei Tan**, Singapore (SG)

(73) Assignee: **Creative Technology Ltd**, Singapore (SG)

(\*\*) Term: **14 Years**

(21) Appl. No.: **29/318,636**

(22) Filed: **May 23, 2008**

(51) **LOC (8) Cl.** ..... **14-03**

(52) **U.S. Cl.** ..... **D14/496**

(58) **Field of Classification Search** ..... D14/496,  
D14/401, 435, 474, 483, 217, 137, 138, 160,  
D14/168; 345/156, 169, 173-179, 905; 715/727-729,  
715/864; 710/1, 5, 8; 713/1, 600; 455/11,  
455/1.7, 73, 344-347, 93, 95; 370/342-344;  
369/1, 2, 6, 12; 463/43-47; 273/148 B  
See application file for complete search history.

(56) **References Cited**

**U.S. PATENT DOCUMENTS**

6,122,526 A \* 9/2000 Parulski et al. .... 455/556.1  
D490,119 S \* 5/2004 Griffin et al. .... D21/329  
6,977,675 B2 \* 12/2005 Kotzin ..... 348/208.2  
7,184,802 B2 \* 2/2007 Chadha ..... 455/575.1  
D541,296 S \* 4/2007 Kim ..... D14/496

D553,153 S \* 10/2007 Kim ..... D14/496  
D559,852 S \* 1/2008 Evans et al. .... D14/485  
D560,683 S \* 1/2008 Lee ..... D14/496  
D568,339 S \* 5/2008 Skurdal ..... D14/496  
D568,903 S \* 5/2008 Seo ..... D14/496  
D574,015 S \* 7/2008 Masui ..... D14/496

\* cited by examiner

*Primary Examiner*—Prabhakar Deshmukh

(74) *Attorney, Agent, or Firm*—Kennedy Koblin

(57) **CLAIM**

The ornamental design for a media player, substantially as shown and described.

**DESCRIPTION**

FIG. 1 is a perspective view of the media player in accordance with the present design;

FIG. 2 is a perspective view of the media player in accordance with the present design;

FIG. 3 is a front view of the media player shown in FIG. 1;

FIG. 4 is a back view of the media player shown in FIG. 1;

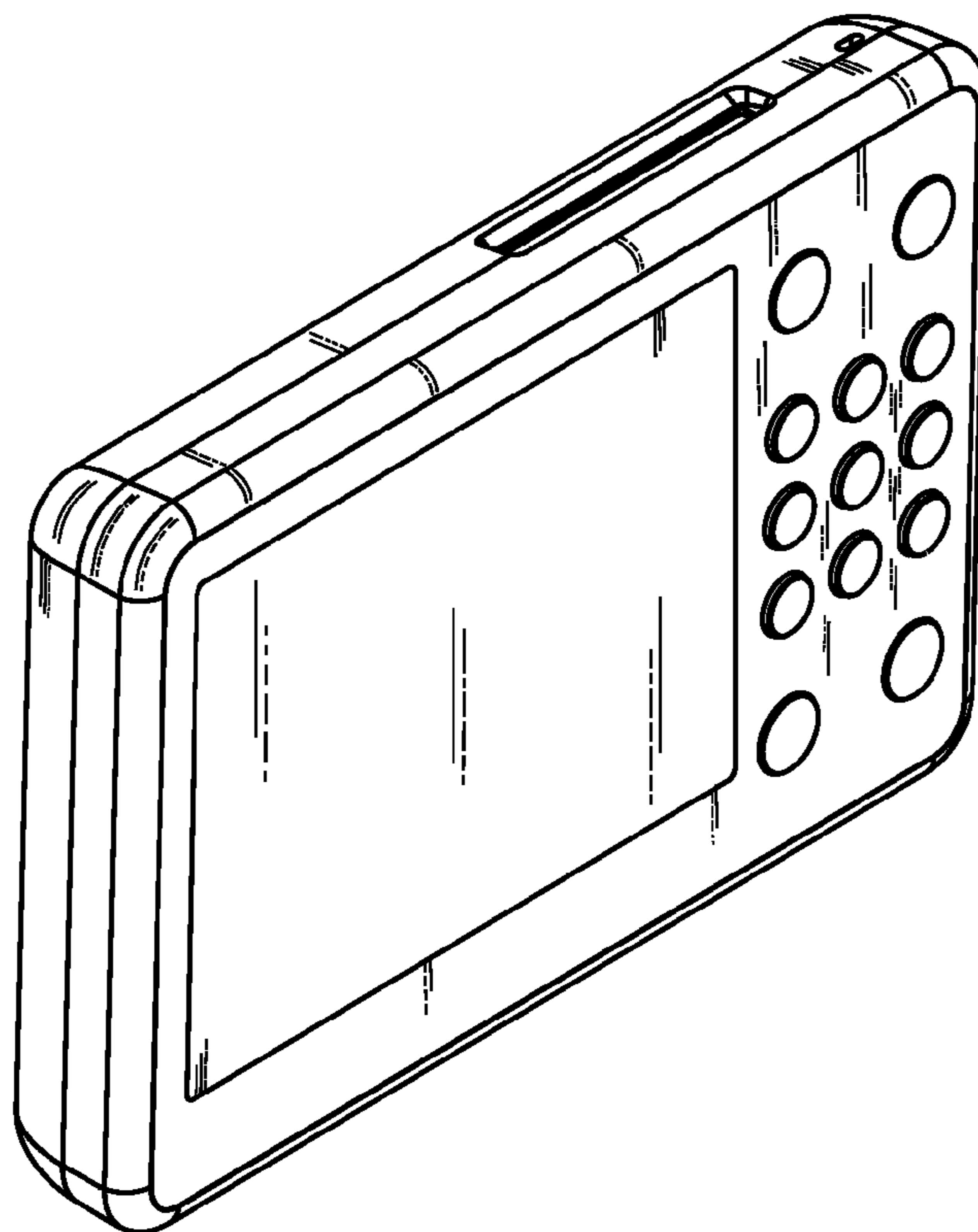
FIG. 5 is a left side view of the media player shown in FIG. 1;

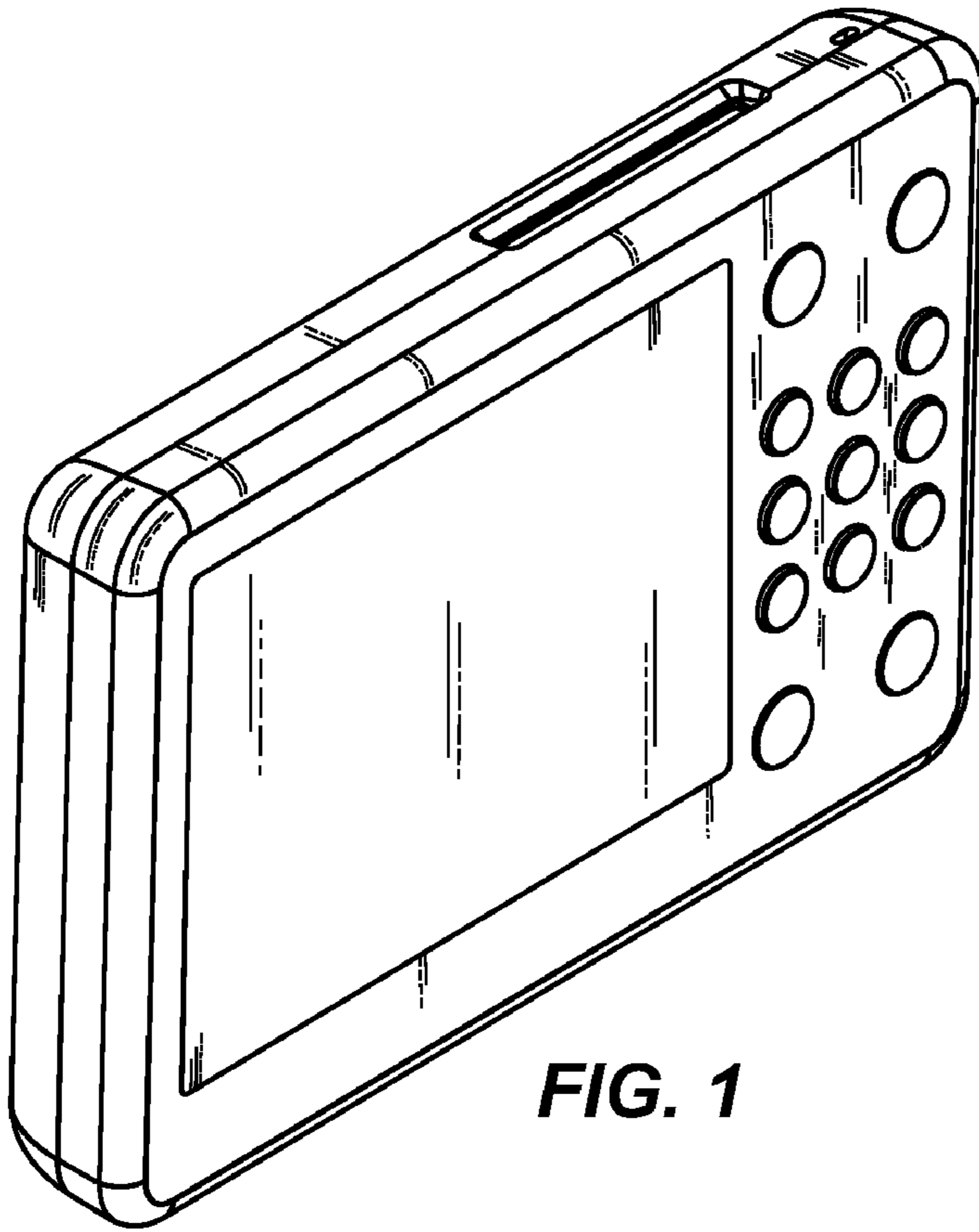
FIG. 6 is a right side view of the media player shown in FIG. 1;

FIG. 7 is a top view of the media player shown in FIG. 1; and,

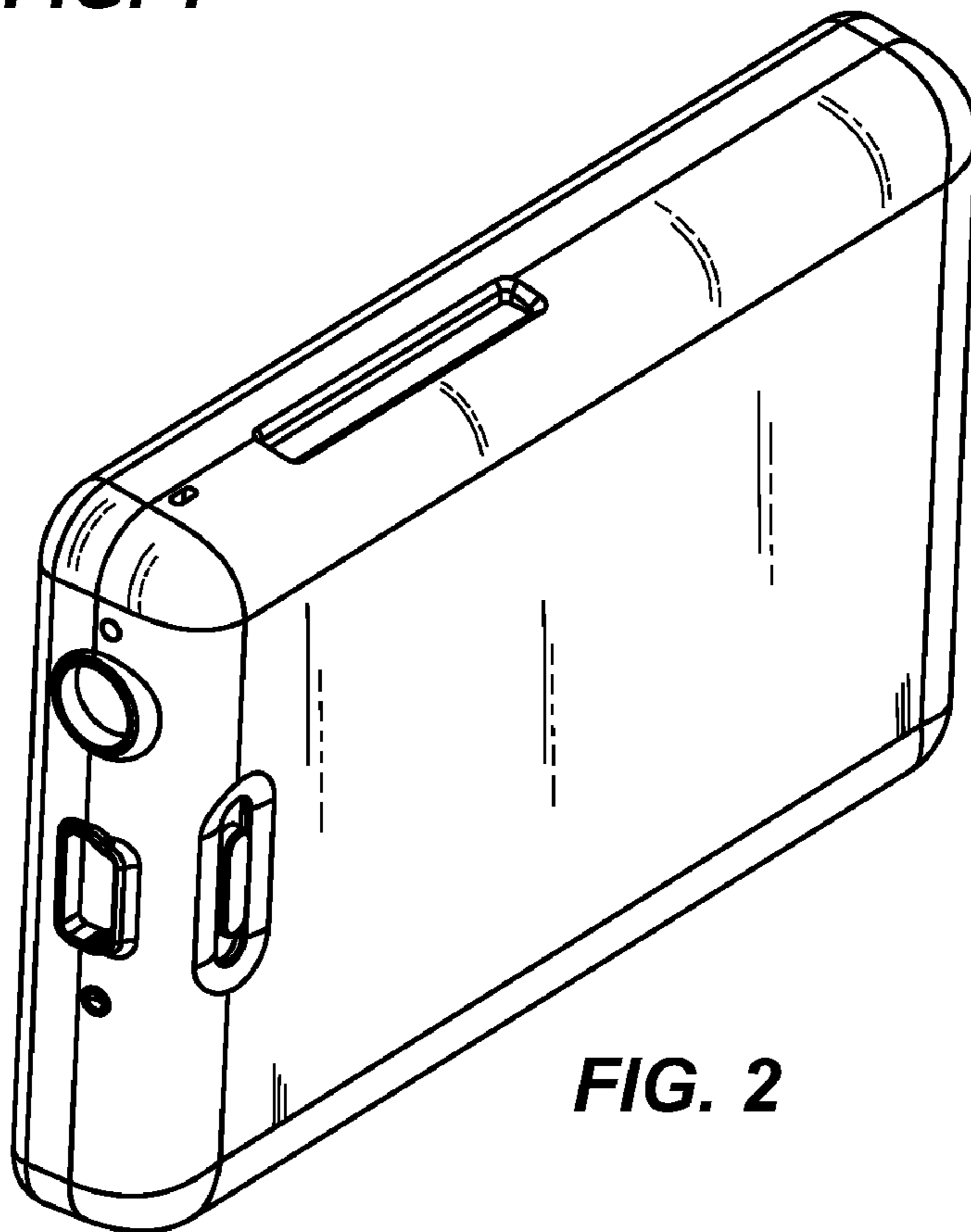
FIG. 8 is a bottom view of the media player shown in FIG. 1.

**1 Claim, 4 Drawing Sheets**

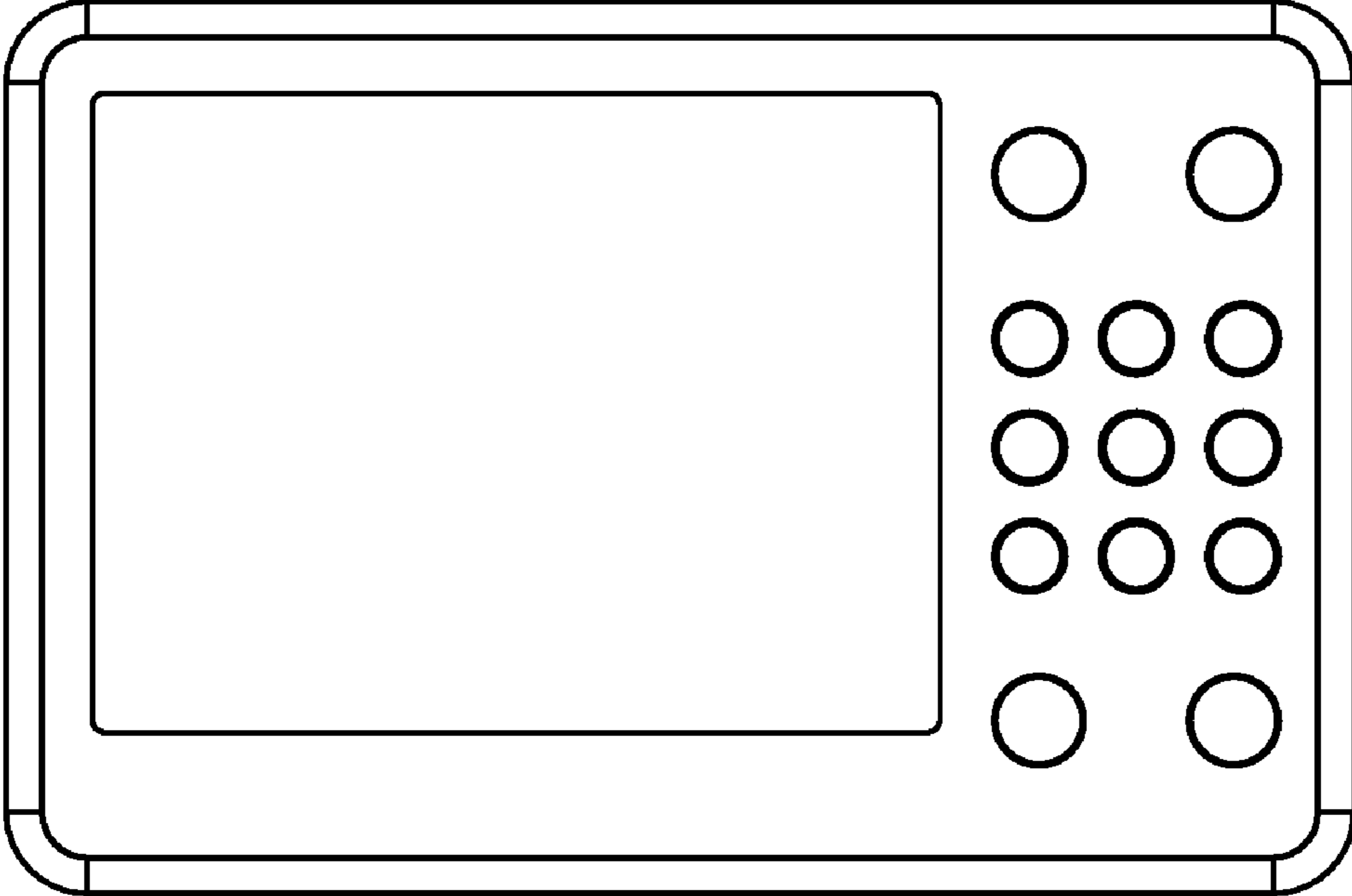




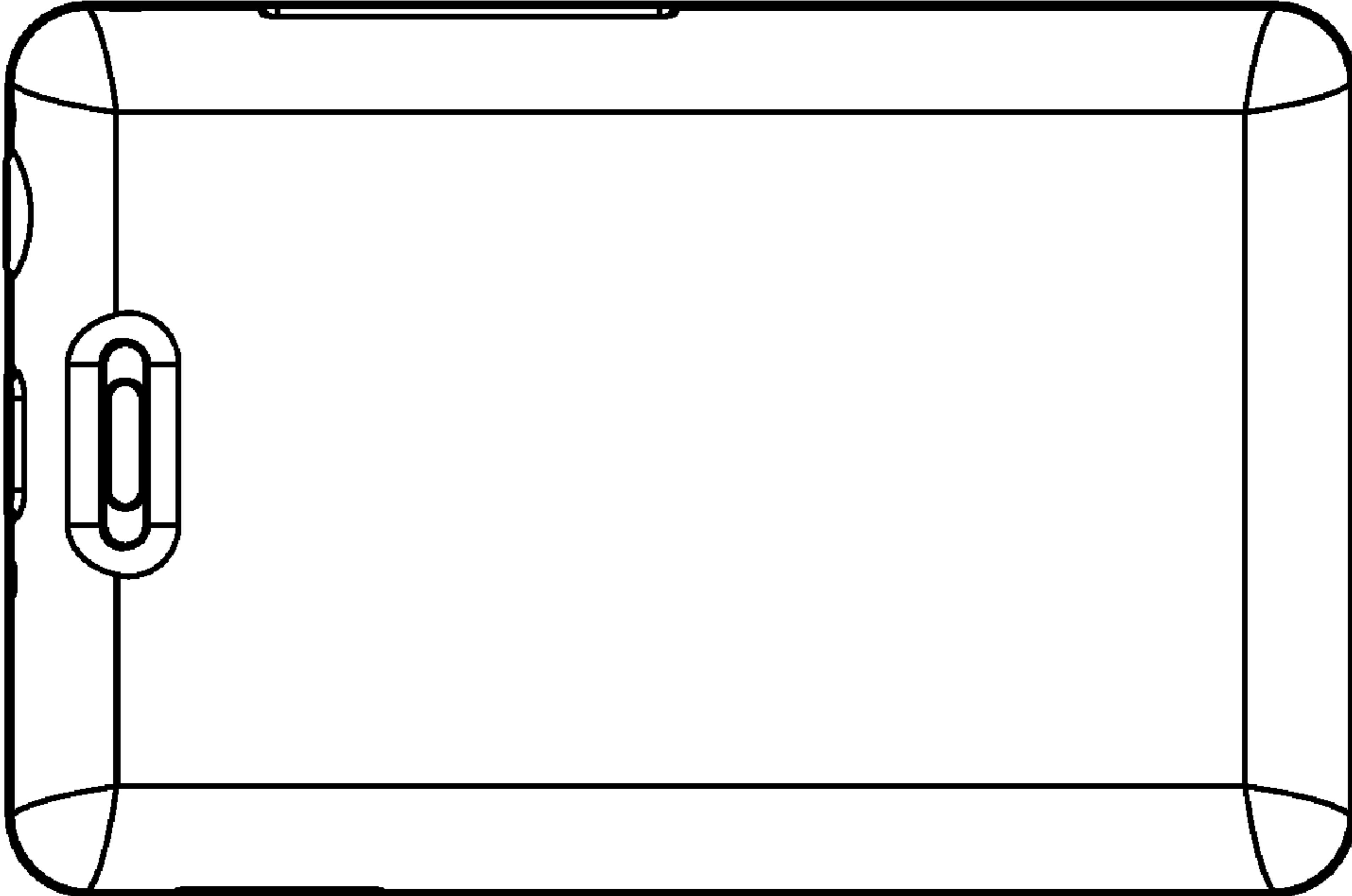
**FIG. 1**



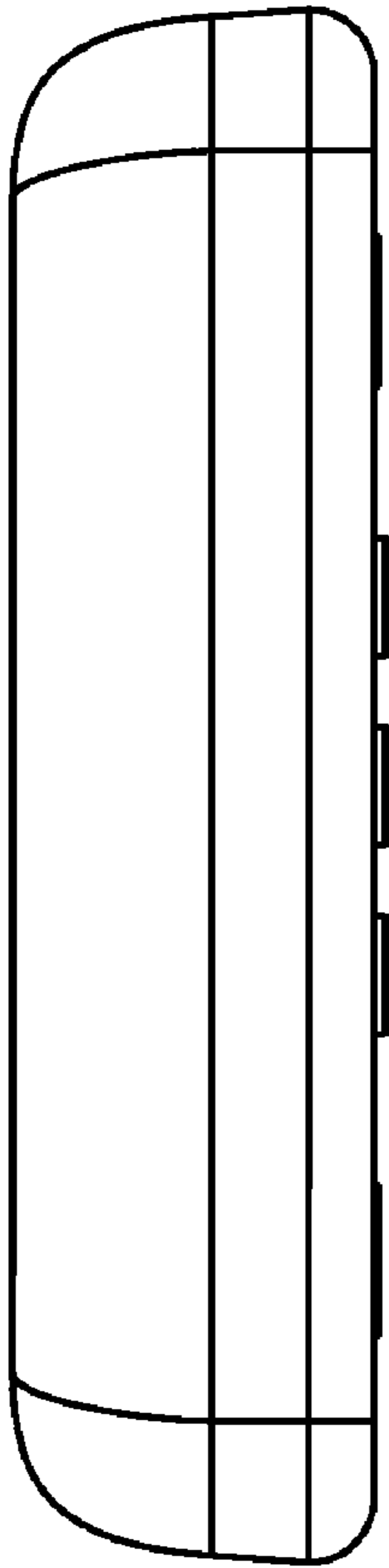
**FIG. 2**



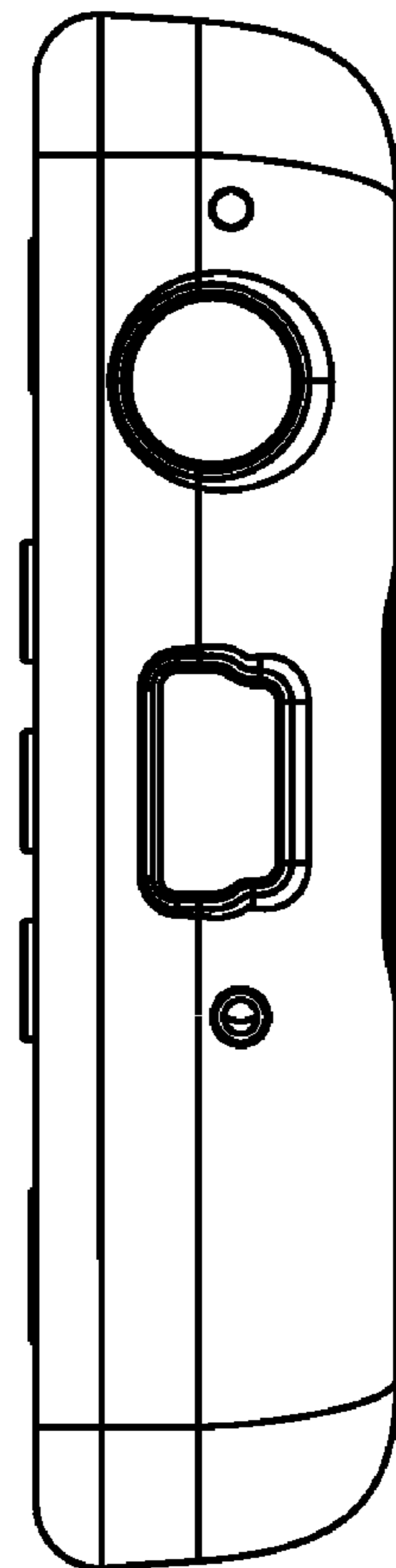
**FIG. 3**



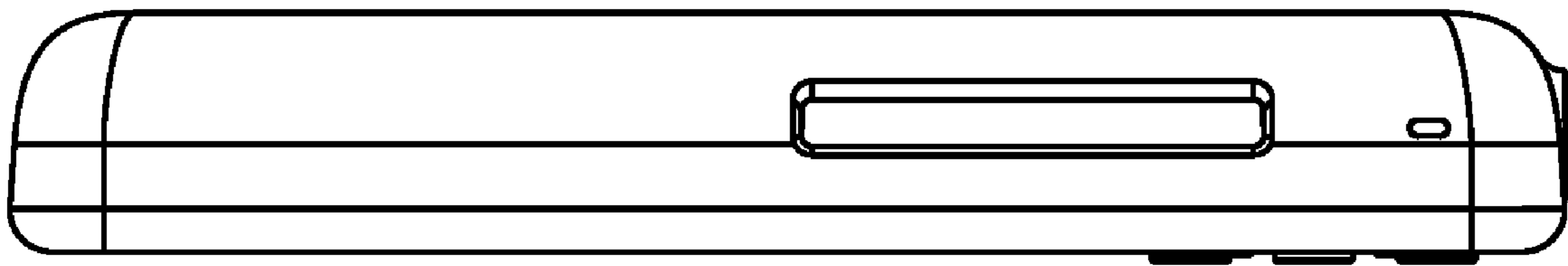
**FIG. 4**



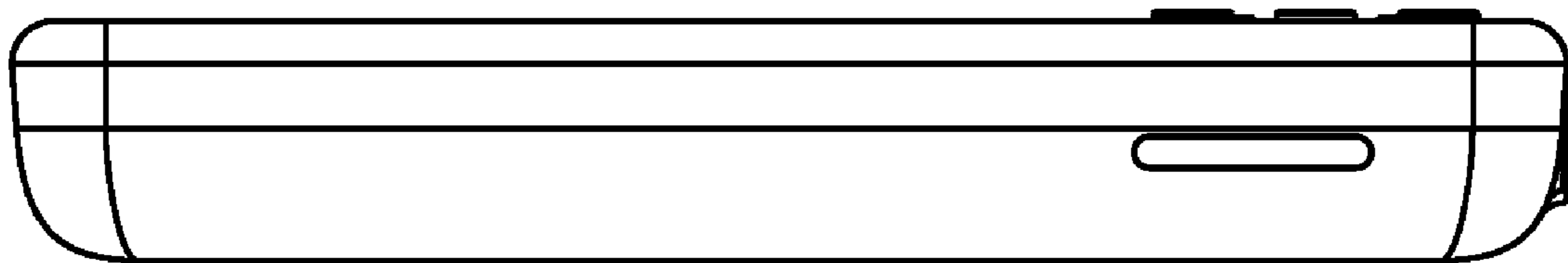
**FIG. 5**



**FIG. 6**



**FIG. 7**



**FIG. 8**