



US00D583827S

(12) **United States Design Patent**
Wahl

(10) **Patent No.:** **US D583,827 S**

(45) **Date of Patent:** **** Dec. 30, 2008**

(54) **MOBILE ELECTRONICS TRAINING DEVICE**

2007/0221138 A1* 9/2007 Mainini et al. 119/720
2008/0072847 A1* 3/2008 Liao 119/792

(75) Inventor: **James Wahl**, Export, PA (US)

* cited by examiner

(73) Assignee: **Vocollect Healthcare Systems, Inc.**,
Pittsburgh, PA (US)

Primary Examiner—Prabhakar Deshmukh

(74) *Attorney, Agent, or Firm*—Wood, Herron & Evans, LLP

(**) Term: **14 Years**

(57) **CLAIM**

(21) Appl. No.: **29/303,925**

The ornamental design for a mobile electronic training device, as shown and described.

(22) Filed: **Feb. 20, 2008**

(51) **LOC (8) Cl.** **14-03**

(52) **U.S. Cl.** **D14/496**

(58) **Field of Classification Search** D14/496,
D14/155, 159, 358, 137, 138; D19/60, 61–64;
273/148 B; 463/39, 40, 46, 47; 434/81,
434/107–109, 112, 118, 308, 309, 319–321
See application file for complete search history.

DESCRIPTION

FIG. 1 is a perspective view of a mobile electronics training device showing my new design, shown in it's environmental use;

FIG. 2 is a perspective view thereof;

FIG. 3 is a front elevational view thereof;

FIG. 4 is a rear elevational view thereof;

FIG. 5 is a left side elevational view thereof;

FIG. 6 is a right side elevational view thereof;

FIG. 7 is a top plan view thereof; and,

FIG. 8 is a bottom plan view thereof.

The broken lines showing a peripheral element in FIG. 1 is for illustrative purpose only.

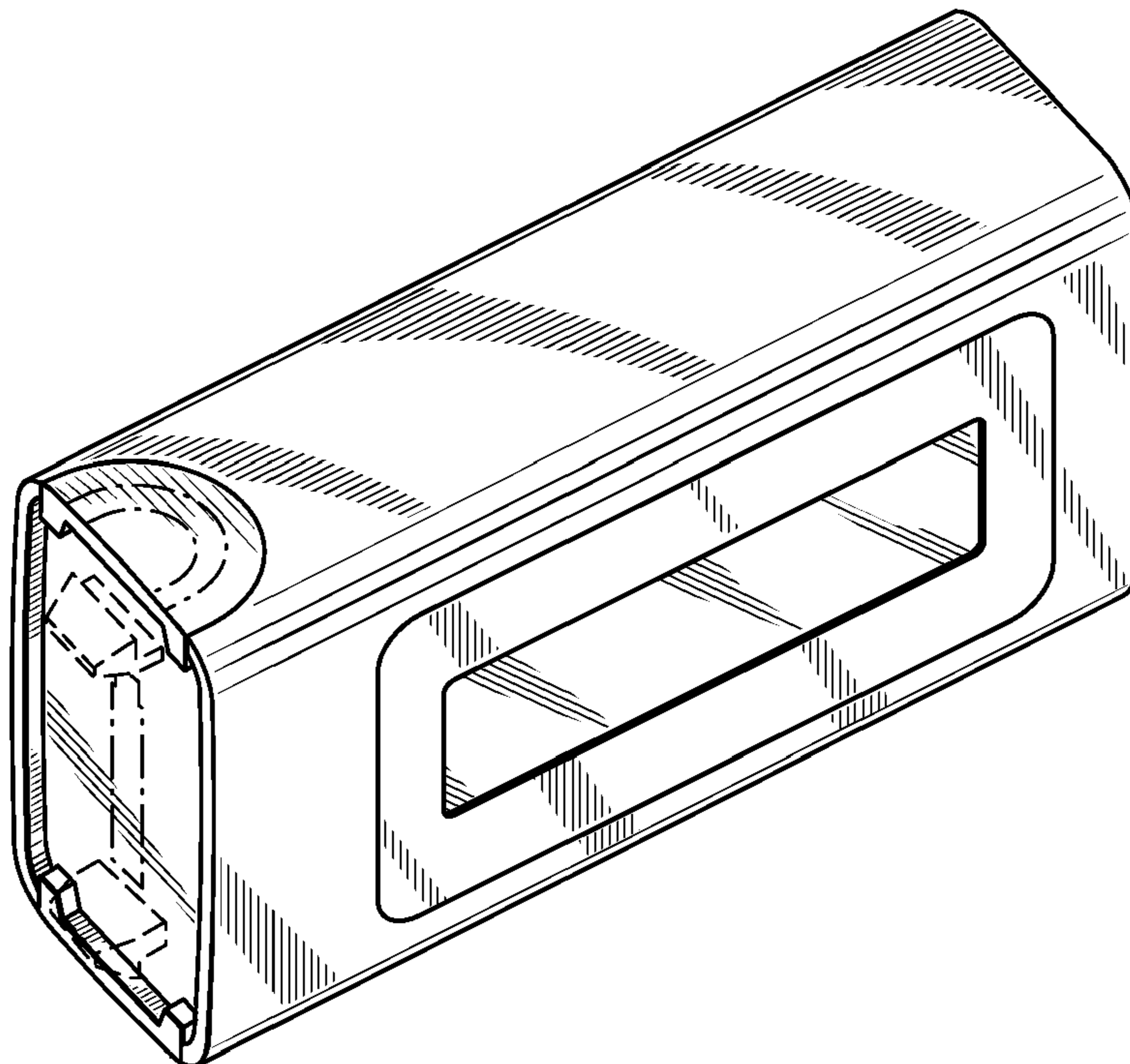
Other broken lines in the figures illustrate portions of the design that form no part of the claim. None of the broken lines form any part of the claimed design.

(56) **References Cited**

U.S. PATENT DOCUMENTS

4,213,253	A *	7/1980	Gudelis et al.	434/224
D420,674	S *	2/2000	Powell	D14/240
6,772,454	B1 *	8/2004	Barry et al.	4/661
6,872,080	B2 *	3/2005	Pastrick et al.	434/262
6,890,273	B1 *	5/2005	Perez	473/404
7,228,429	B2 *	6/2007	Monroe	713/182
D568,881	S *	5/2008	Hsiau	D14/370
D569,358	S *	5/2008	Devenish et al.	D14/137
D569,876	S *	5/2008	Griffin	D14/496
D573,577	S *	7/2008	Huang	D14/155
2004/0220686	A1 *	11/2004	Cass	700/94

1 Claim, 3 Drawing Sheets



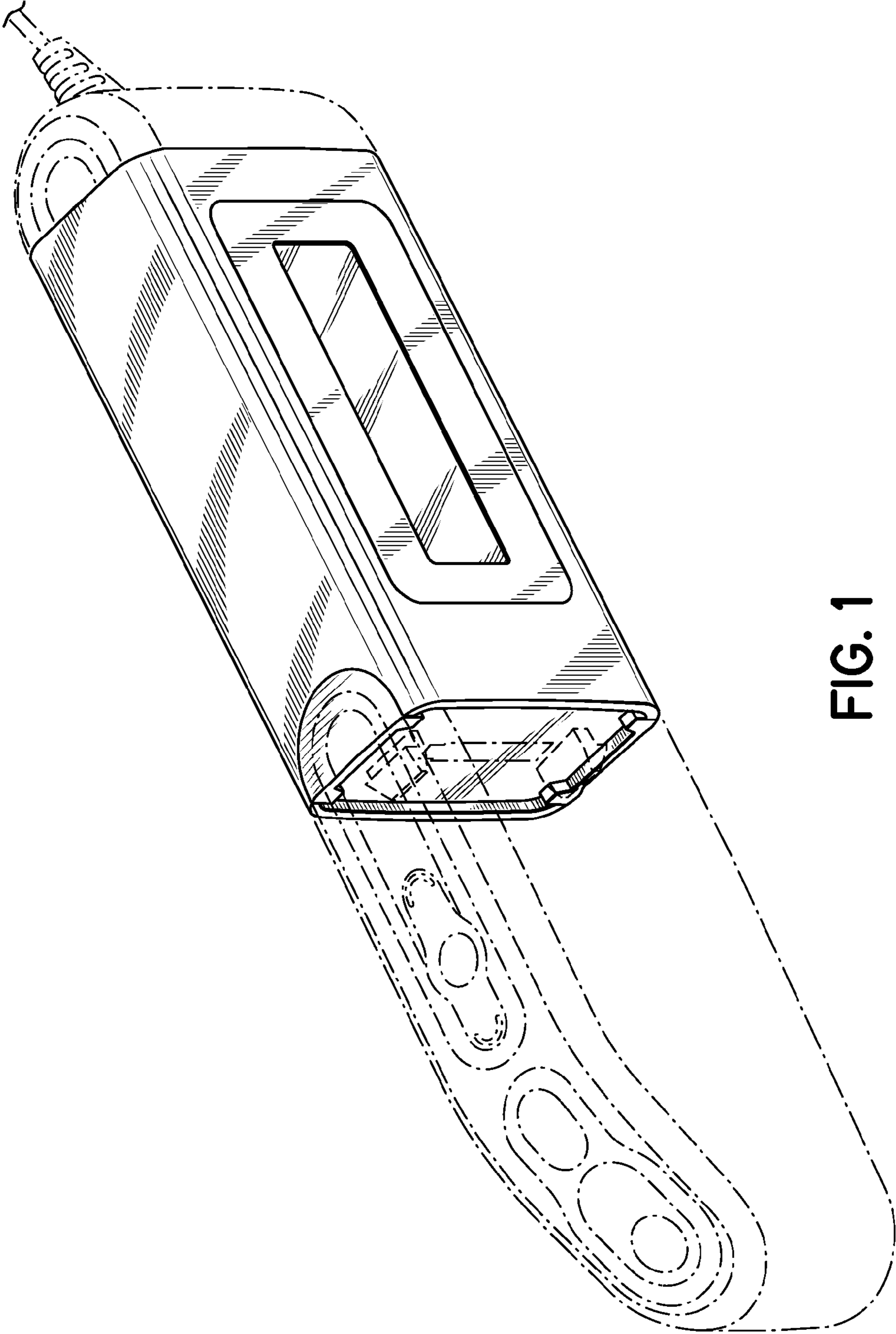


FIG. 1

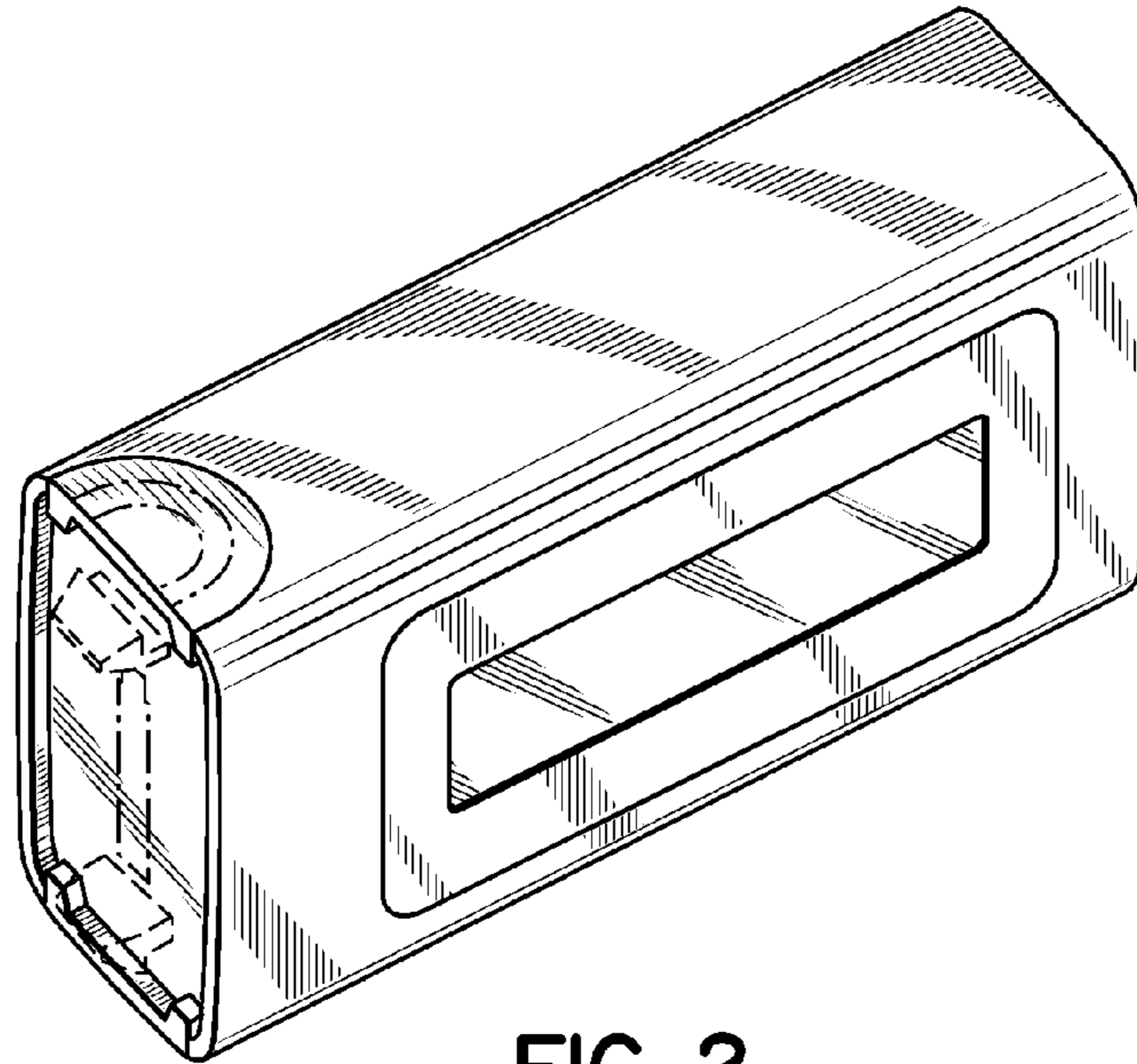


FIG. 2

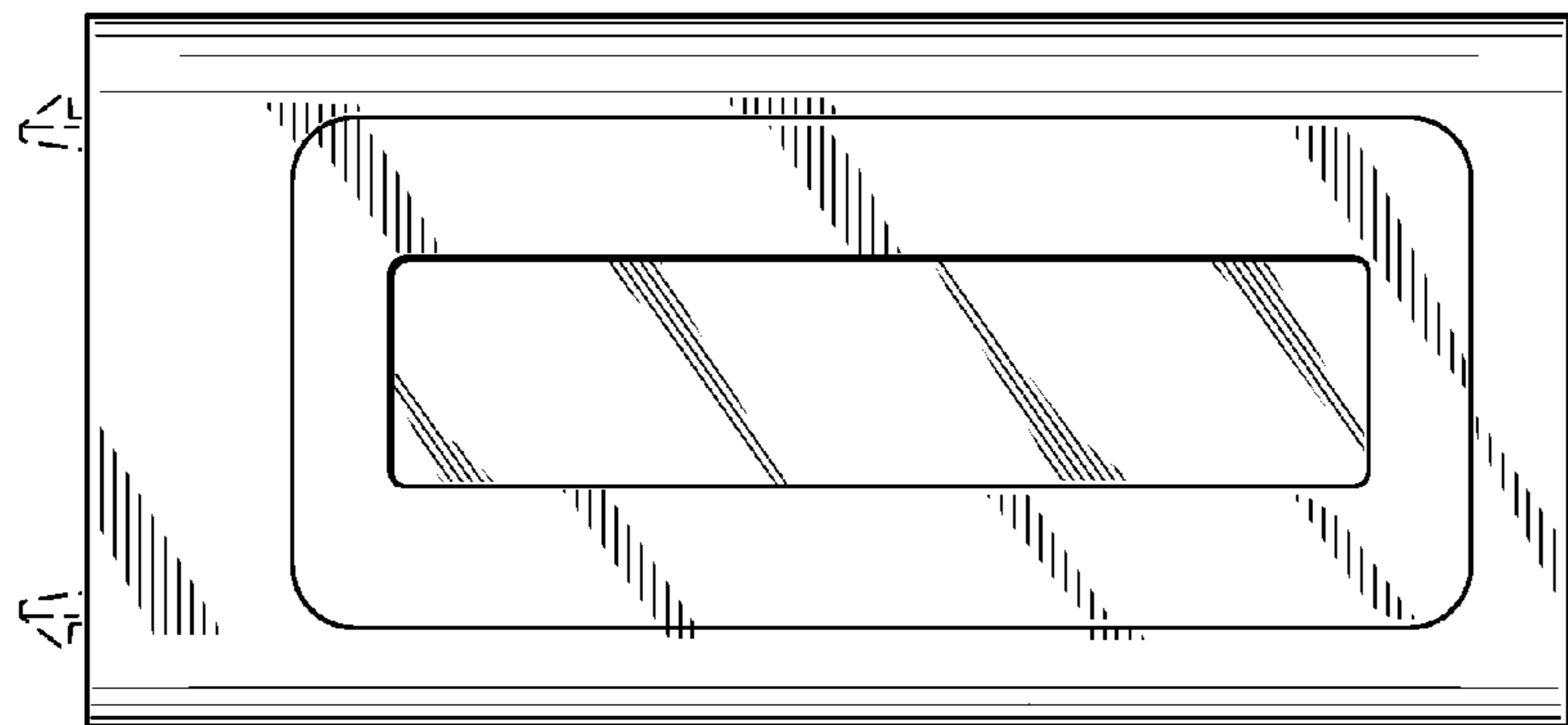


FIG. 3

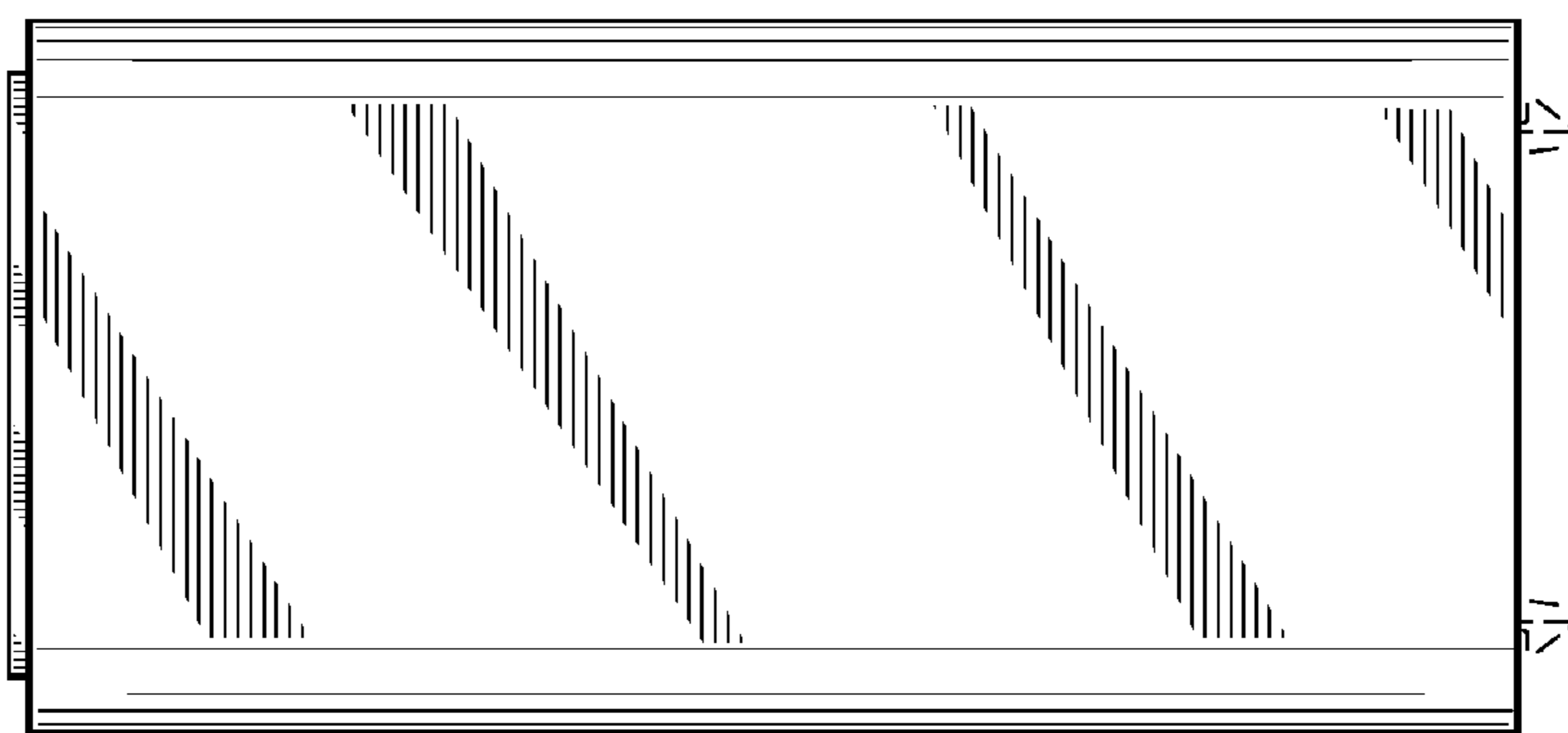


FIG. 4

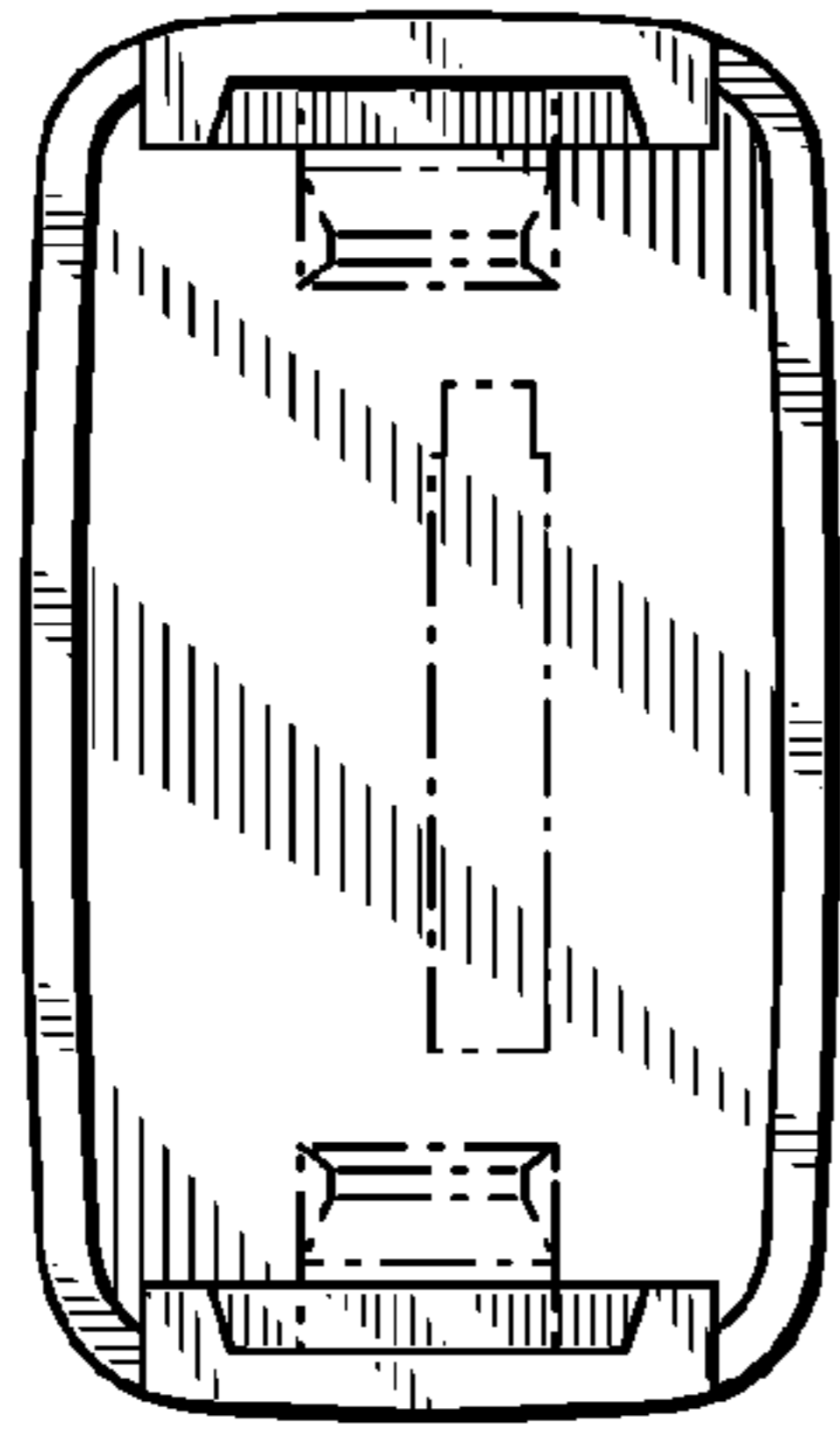


FIG. 5

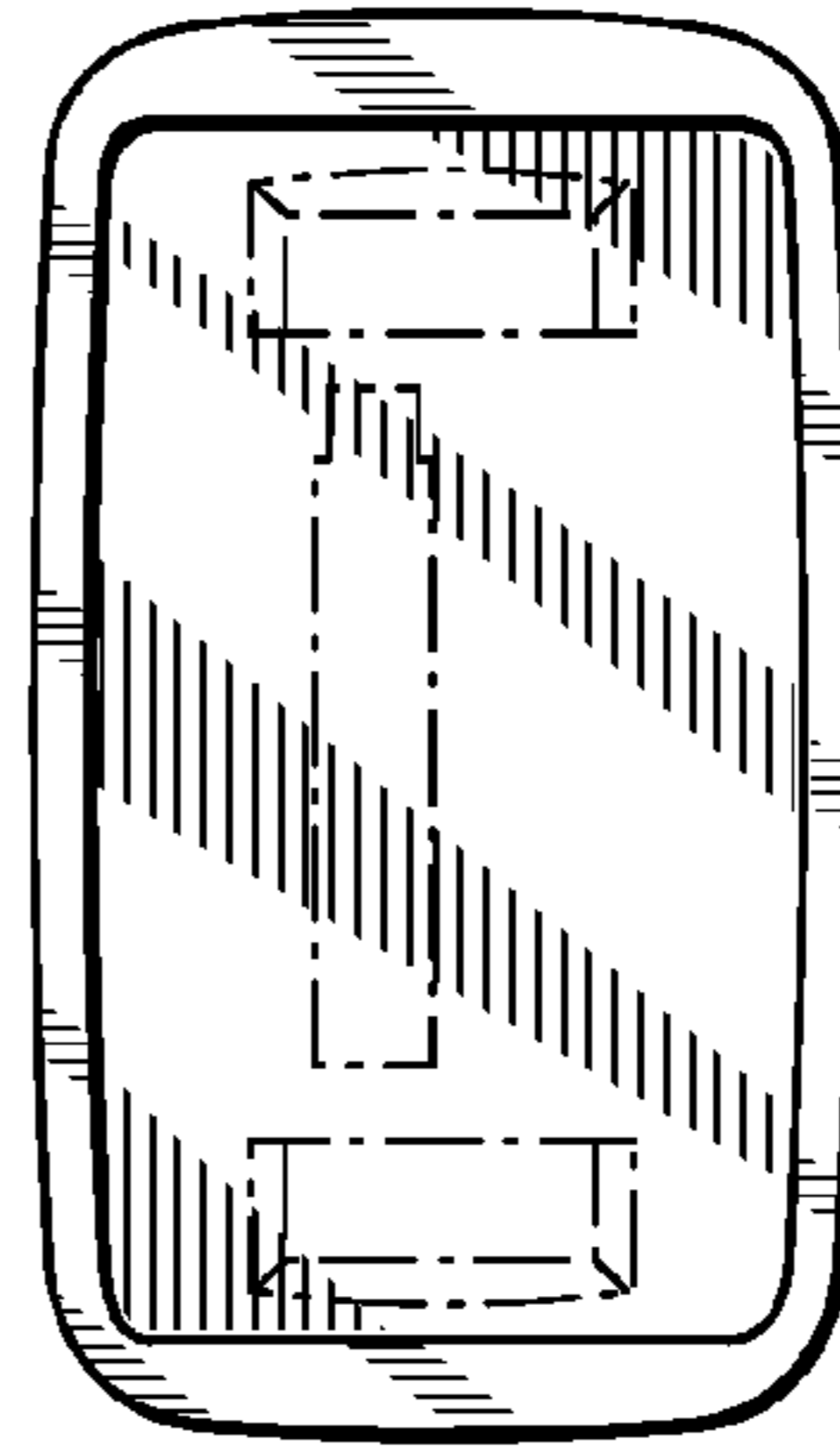


FIG. 6

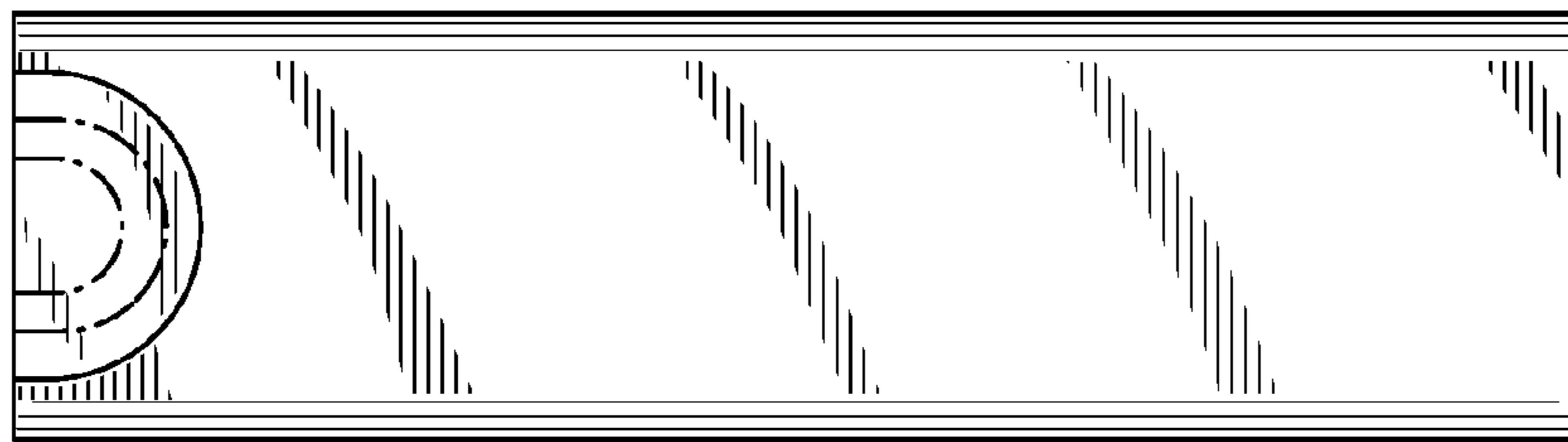


FIG. 7

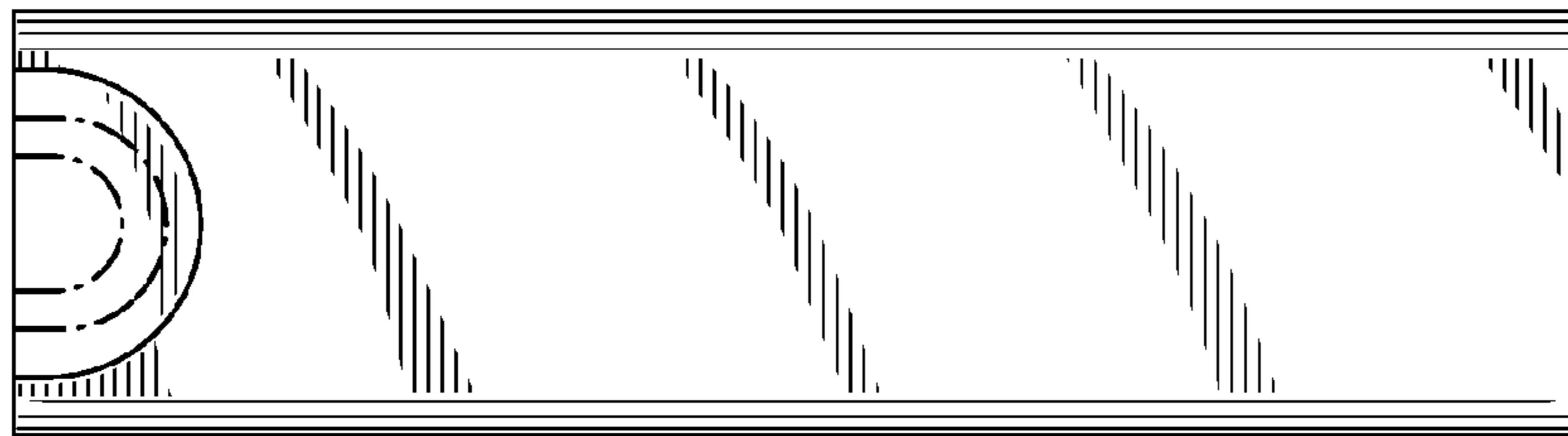


FIG. 8