



US00D583826S

(12) **United States Design Patent**  
**Sawai et al.**

(10) **Patent No.:** **US D583,826 S**

(45) **Date of Patent:** **\*\* Dec. 30, 2008**

(54) **ROBOTOMORPHIC AUDIO PLAYER**

(75) Inventors: **Kunihito Sawai**, Tokyo (JP); **Tomohiro Yamada**, Tokyo (JP); **Wataru Kokubo**, Tokyo (JP); **Nobuhiko Ooguchi**, Tokyo (JP)

(73) Assignee: **Sony Corporation**, Tokyo (JP)

(\*\*) Term: **14 Years**

(21) Appl. No.: **29/268,006**

(22) Filed: **Oct. 27, 2006**

(30) **Foreign Application Priority Data**

Apr. 27, 2006 (JP) ..... D2006-011029

(51) **LOC (8) Cl.** ..... **14-03**

(52) **U.S. Cl.** ..... **D14/496**

(58) **Field of Classification Search** ..... D14/496,  
D14/401, 435, 474, 483, 217, 137, 138, 160,  
D14/168; 345/156, 169, 173-179, 905; 715/727-729,  
715/864; 710/1, 5, 8; 713/1, 600; 455/11,  
455/1.7, 73, 344-347, 93, 95; 370/342-344;  
369/1, 2, 6, 12; 463/43-47; 273/148 B  
See application file for complete search history.

(56) **References Cited**

**U.S. PATENT DOCUMENTS**

6,381,515 B1 \* 4/2002 Inoue et al. .... 700/245  
6,623,072 B1 \* 9/2003 Mellace ..... 297/217.4  
D481,702 S \* 11/2003 Takagi ..... D14/156  
6,773,344 B1 \* 8/2004 Gabai et al. .... 463/1  
6,778,073 B2 \* 8/2004 Lutter et al. .... 340/435  
D518,065 S \* 3/2006 Kobayashi ..... D14/496

D530,306 S \* 10/2006 Wang et al. .... D14/189  
D533,185 S \* 12/2006 Ishida et al. .... D14/496  
D541,260 S \* 4/2007 Christianson ..... D14/215  
7,207,860 B2 \* 4/2007 Hornsby et al. .... 446/353  
D549,239 S \* 8/2007 Chen ..... D14/496  
D555,168 S \* 11/2007 Lin ..... D14/496  
7,338,341 B2 \* 3/2008 Hoeting et al. .... 446/330

\* cited by examiner

*Primary Examiner*—Prabhakar Deshmukh

(74) *Attorney, Agent, or Firm*—Rader, Fishman & Grauer, PLLC

(57) **CLAIM**

The ornamental design for robotomorphic audio player, as shown and described.

**DESCRIPTION**

FIG. 1 is a perspective view of a robotomorphic audio player showing our new design;

FIG. 2 is a front side elevational view thereof;

FIG. 3 is a rear side elevational view thereof;

FIG. 4 is a right side elevational view thereof, the left side elevational view being the same image thereof;

FIG. 5 is a top plan view thereof; and,

FIG. 6 is a bottom plan view thereof.

The broken lines immediately adjacent to the claimed areas in the views represent the boundaries of the design. Other broken lines in the figures illustrate the portions of the design that form no part of the claim. None of the broken lines form part of the claimed design.

**1 Claim, 6 Drawing Sheets**

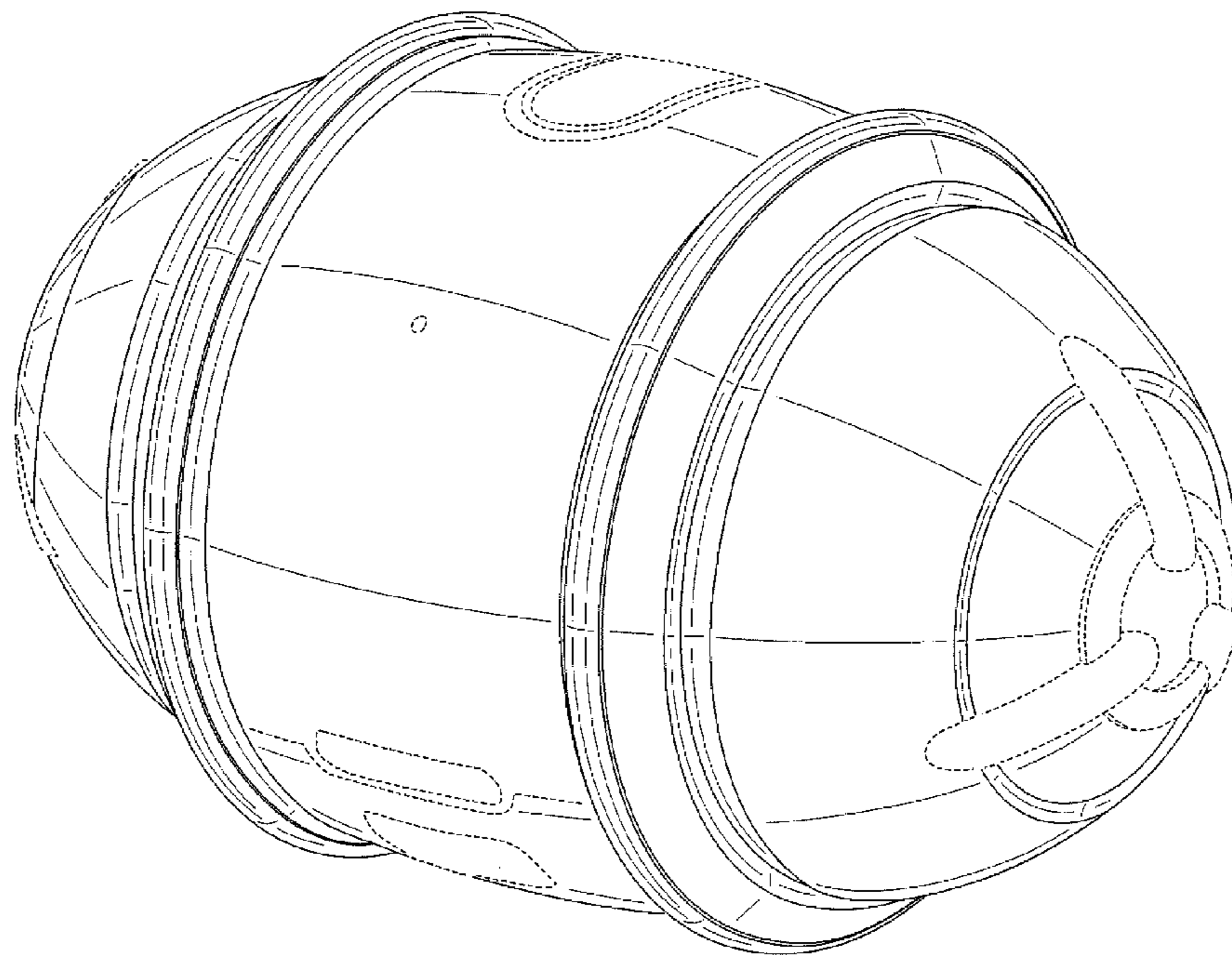


Fig. 1

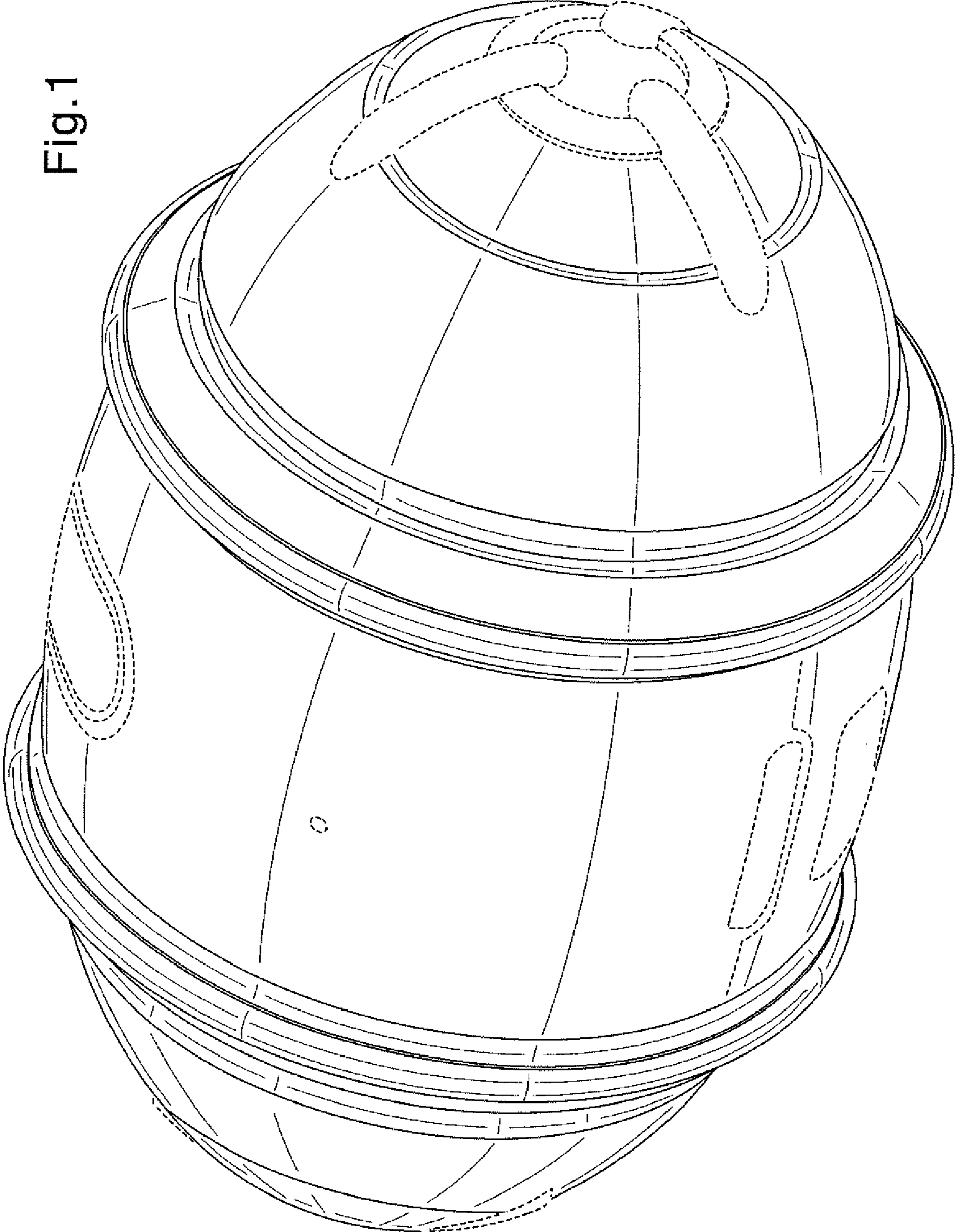


Fig.2

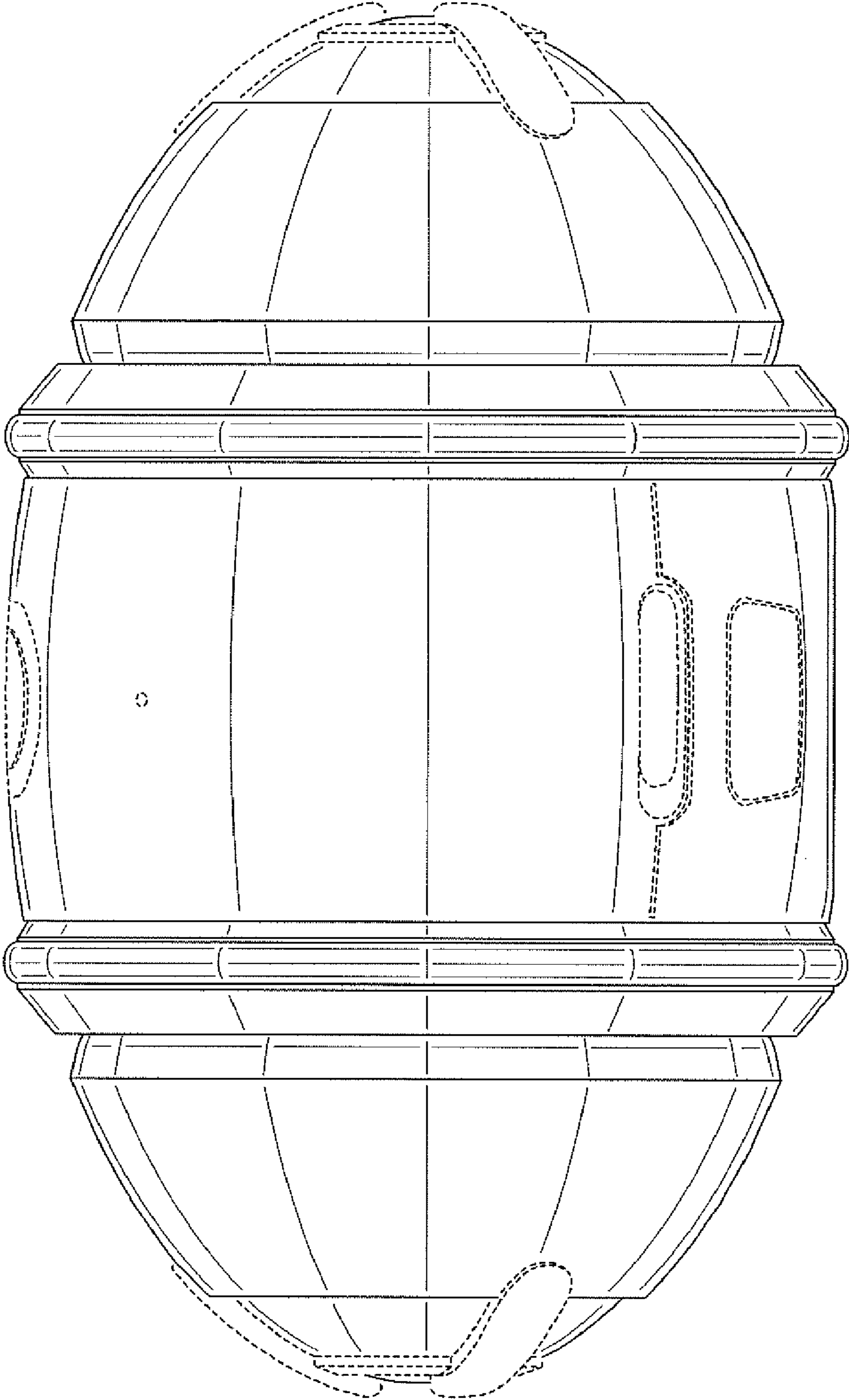


Fig.3

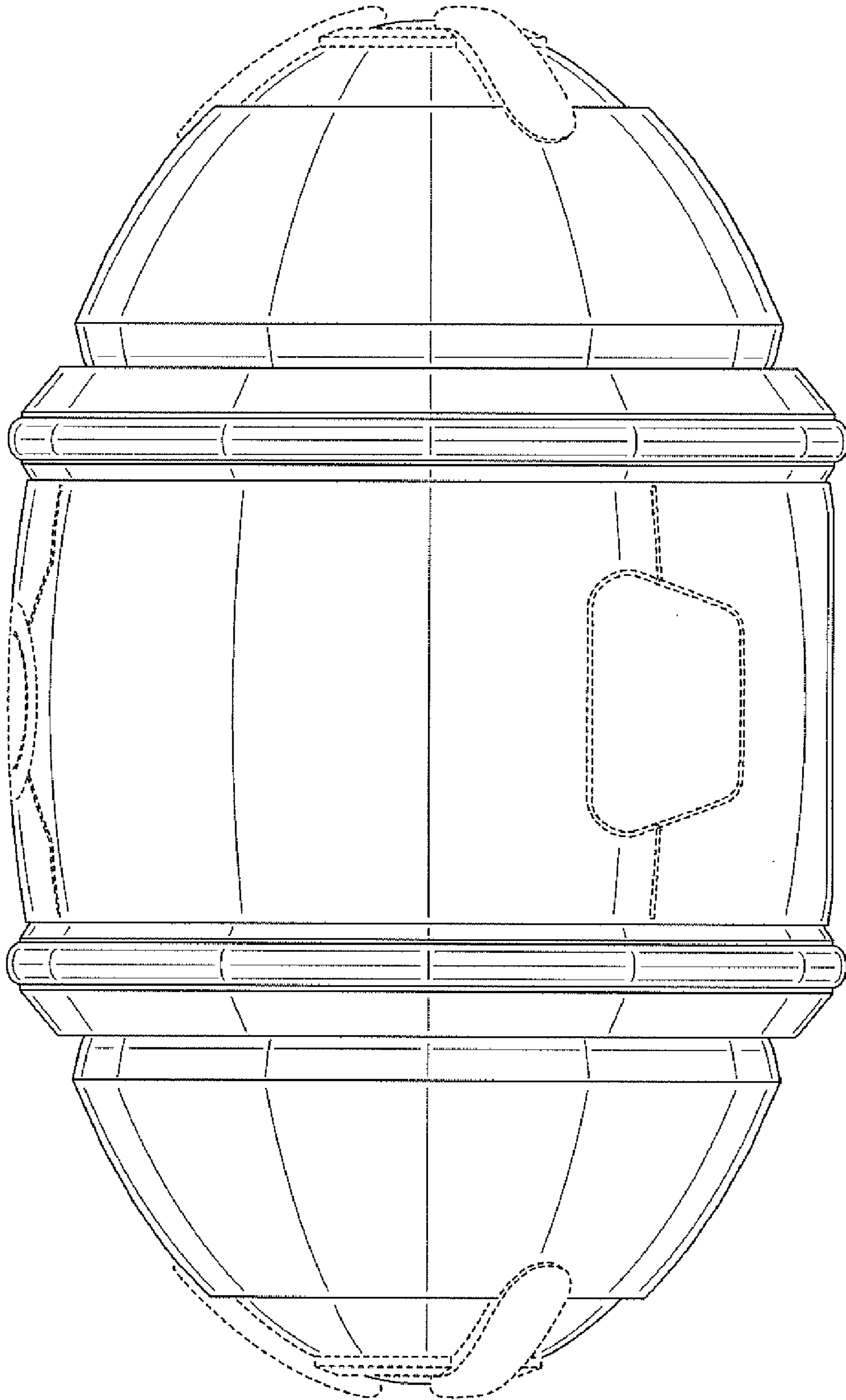


Fig.4

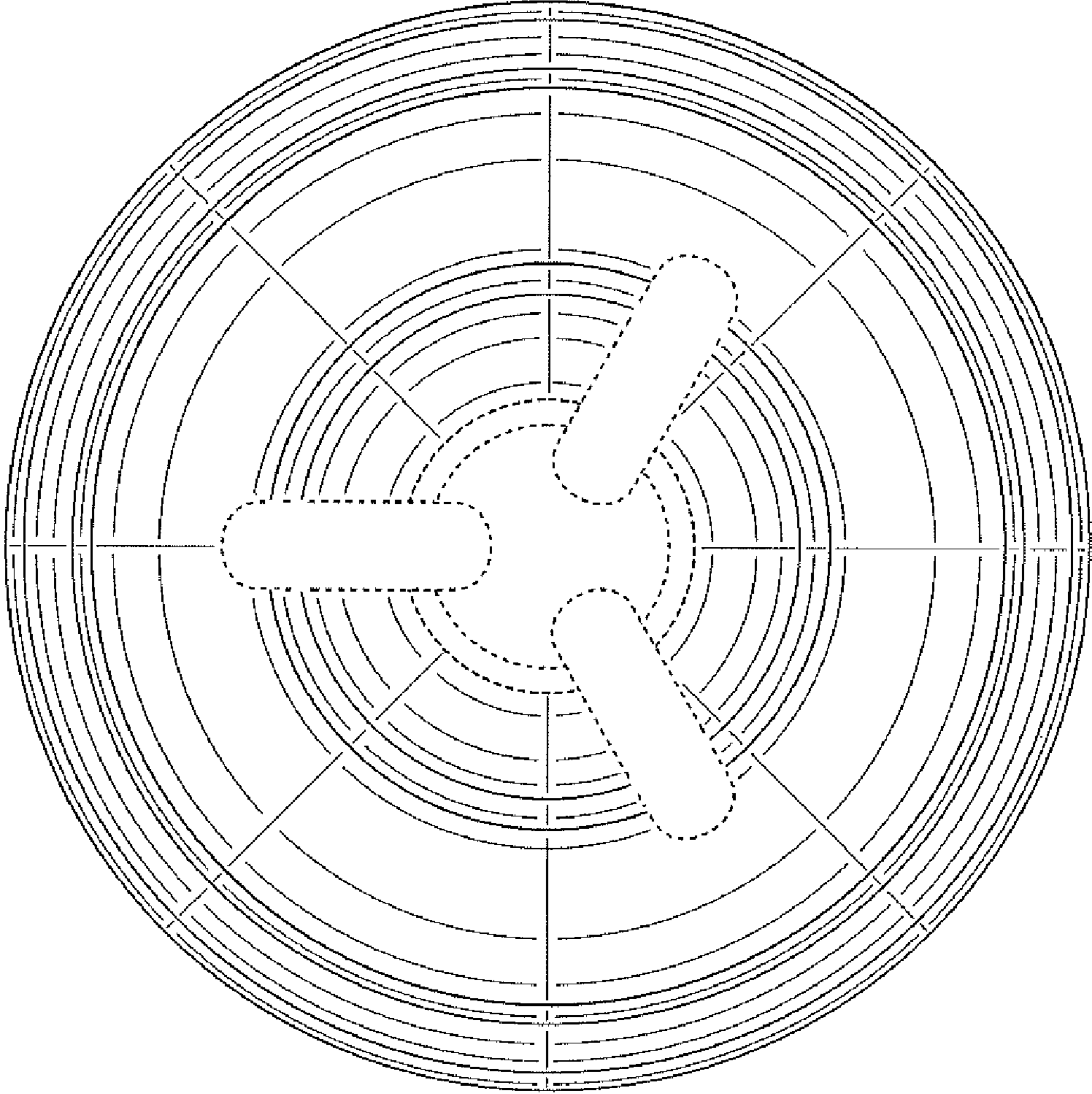


Fig.5

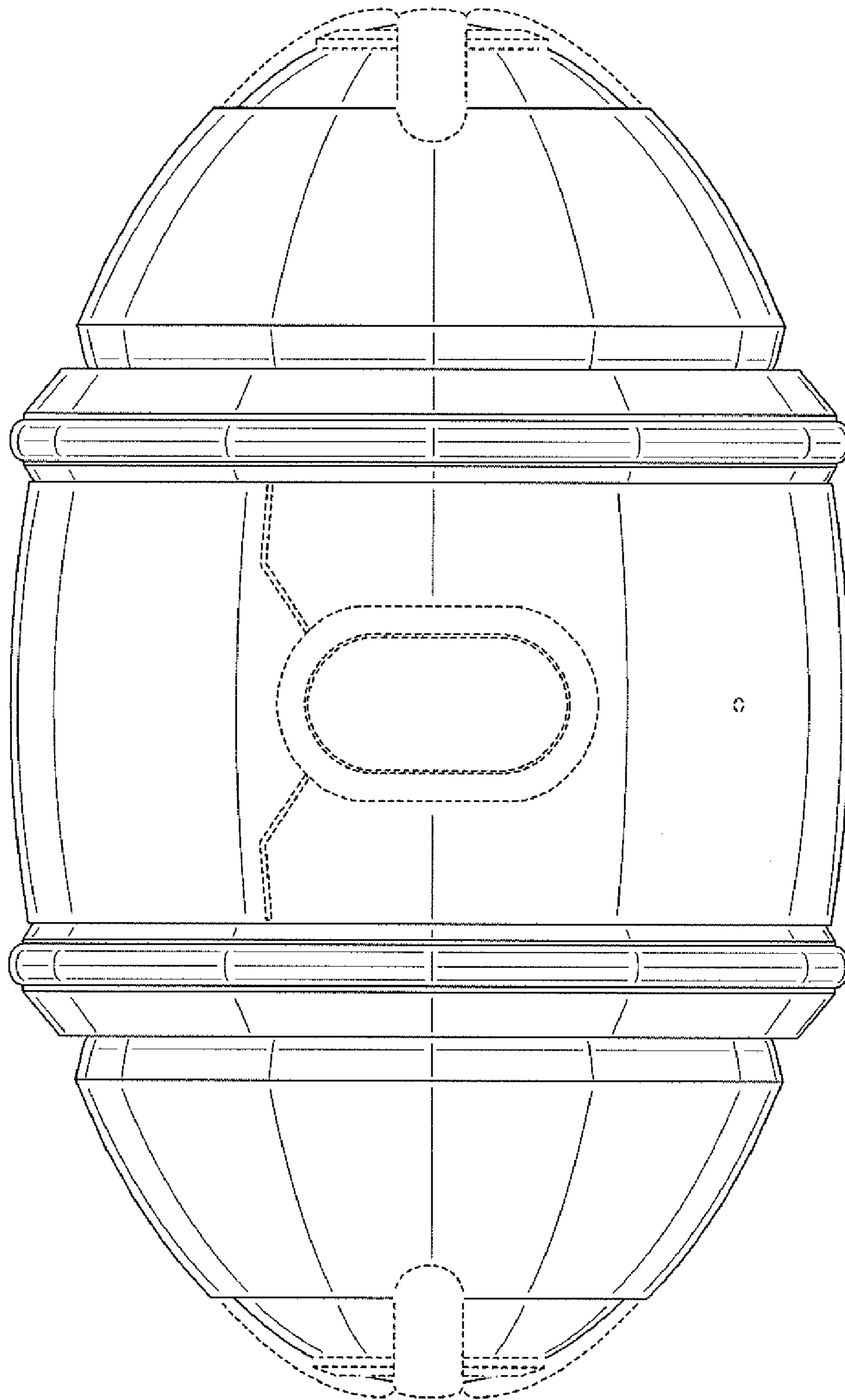


Fig.6

