



US00D583822S

(12) **United States Design Patent**  
**Matsumoto et al.**

(10) **Patent No.:** **US D583,822 S**  
(45) **Date of Patent:** **\*\* Dec. 30, 2008**

(54) **RADIO FREQUENCY IDENTIFICATION TAG  
READER**

(75) Inventors: **Shigeru Matsumoto**, Toyokawa (JP);  
**Tomoyuki Okamoto**, Kasugai (JP)

(73) Assignee: **Brother Industries, Ltd.**, Nagoya (JP)

(\*\*) Term: **14 Years**

(21) Appl. No.: **29/300,205**

(22) Filed: **Feb. 29, 2008**

(30) **Foreign Application Priority Data**

Oct. 4, 2007 (JP) ..... 2007-027182

(51) **LOC (8) Cl.** ..... **14-02**

(52) **U.S. Cl.** ..... **D14/453; D14/426**

(58) **Field of Classification Search** ..... D14/420,  
D14/426-430, 453, 346, 341, 347, 412; D13/107,  
D13/184; 358/473; 235/462.43, 462.45,  
235/462.47, 462.48, 462.44, 462.46, 487,  
235/472.01, 472.02; 16/110.1, 430, 431;  
439/133, 135; 709/219, 201; 710/73; 320/114,  
320/115, 123; 361/679; 382/313, 321; 455/575.1,  
455/561, 572

See application file for complete search history.

(56) **References Cited**

**U.S. PATENT DOCUMENTS**

D289,291 S \* 4/1987 Kapper ..... D14/389  
D297,939 S \* 10/1988 Bradbury et al. .... D14/430  
D311,393 S \* 10/1990 Weaver et al. .... D14/420

D318,658 S \* 7/1991 Stoddard et al. .... D14/430  
D323,490 S \* 1/1992 Jarilla-Valiente ..... D14/385  
D337,316 S \* 7/1993 Ruiten ..... D14/347  
5,496,992 A \* 3/1996 Madan et al. .... 235/472.02  
D394,855 S \* 6/1998 Ahearn et al. .... D14/429  
7,051,943 B2 \* 5/2006 Leone et al. .... 235/462.45  
7,161,470 B2 \* 1/2007 Berquist et al. .... 340/10.31

\* cited by examiner

*Primary Examiner*—Pamela J Burgess

*Assistant Examiner*—Susan Moon Lee

(74) *Attorney, Agent, or Firm*—Oliff & Berridge, PLC

(57) **CLAIM**

The ornamental design for a radio frequency identification tag reader, as shown and described.

**DESCRIPTION**

FIG. 1 is a front perspective view of a radio frequency identification tag reader;

FIG. 2 is a rear perspective view thereof;

FIG. 3 is a top view thereof;

FIG. 4 is a front view thereof;

FIG. 5 is a right-side view thereof, the left-side view being a mirror image;

FIG. 6 is a rear view thereof; and,

FIG. 7 is a bottom view thereof.

The broken lines depict environmental subject matter only and form no part of the claimed design.

**1 Claim, 4 Drawing Sheets**

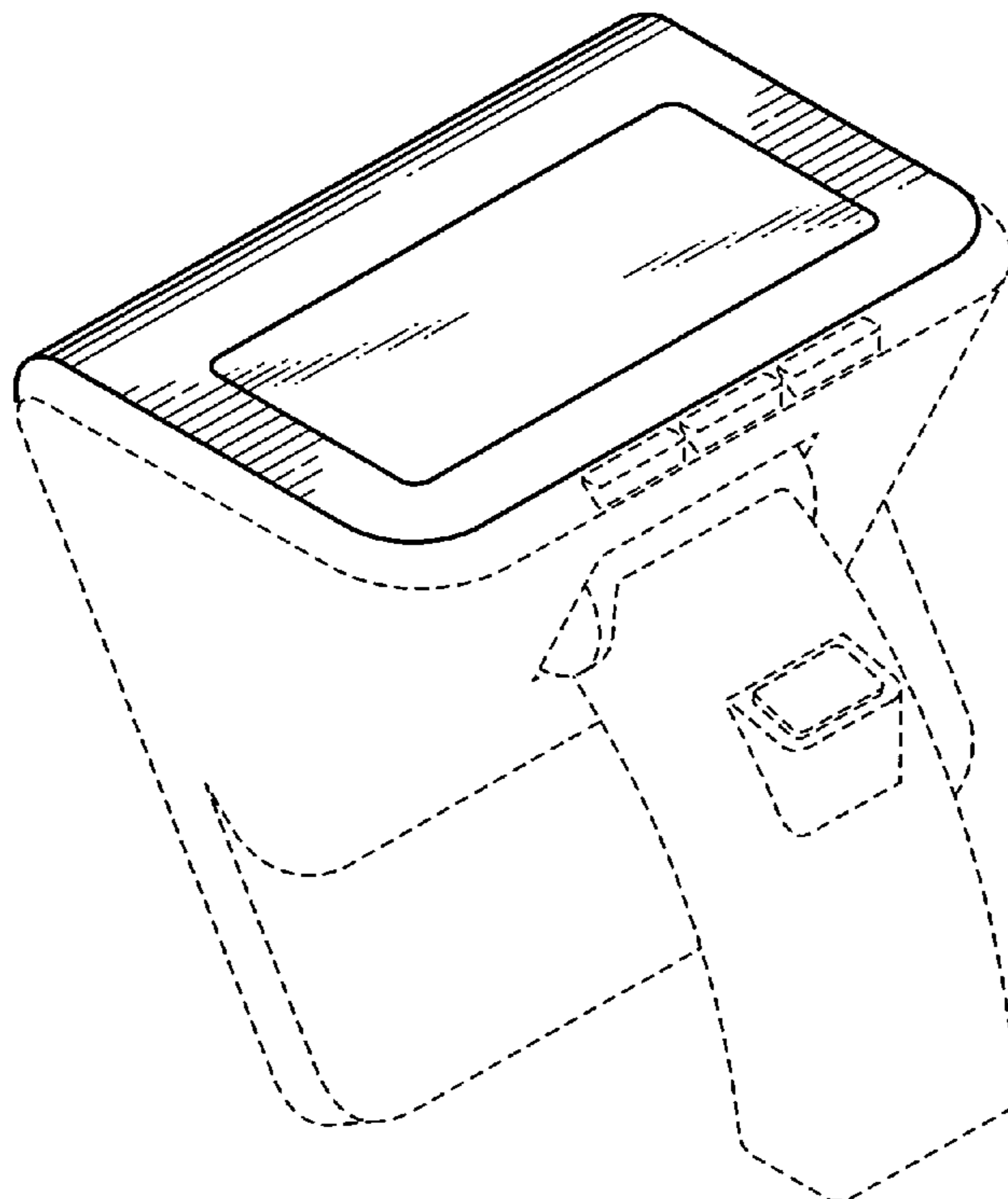


FIG. 1

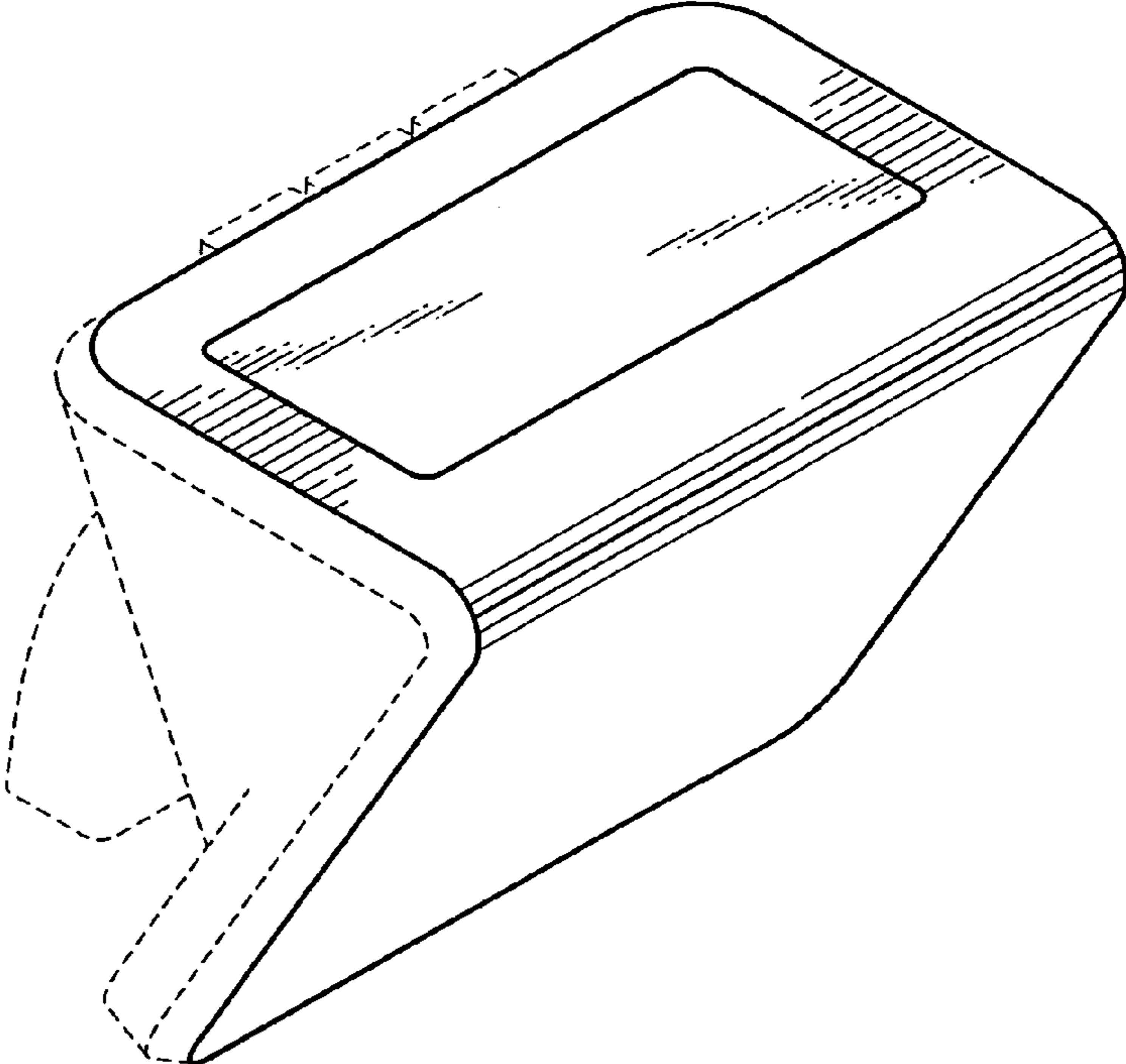
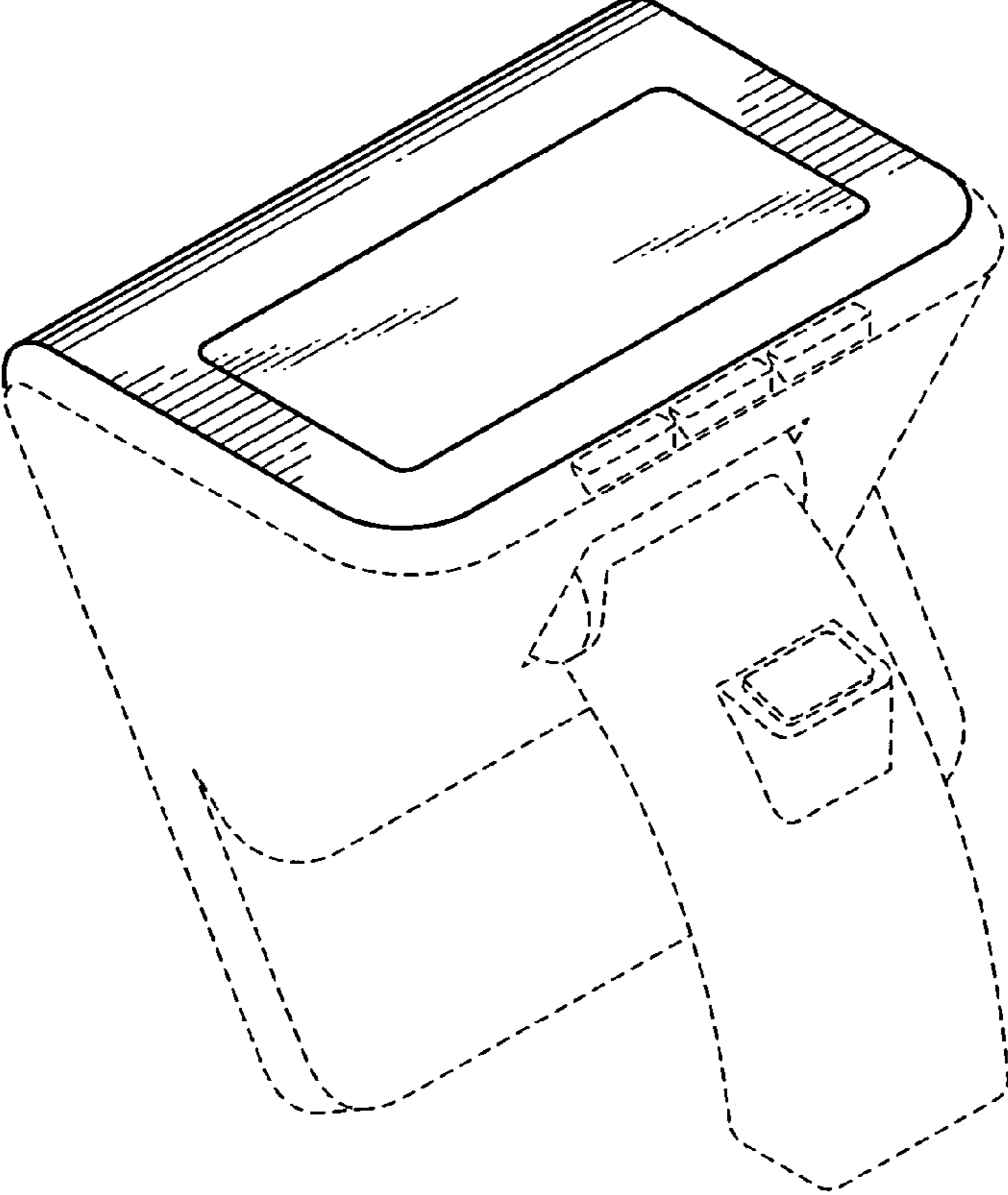


FIG. 2



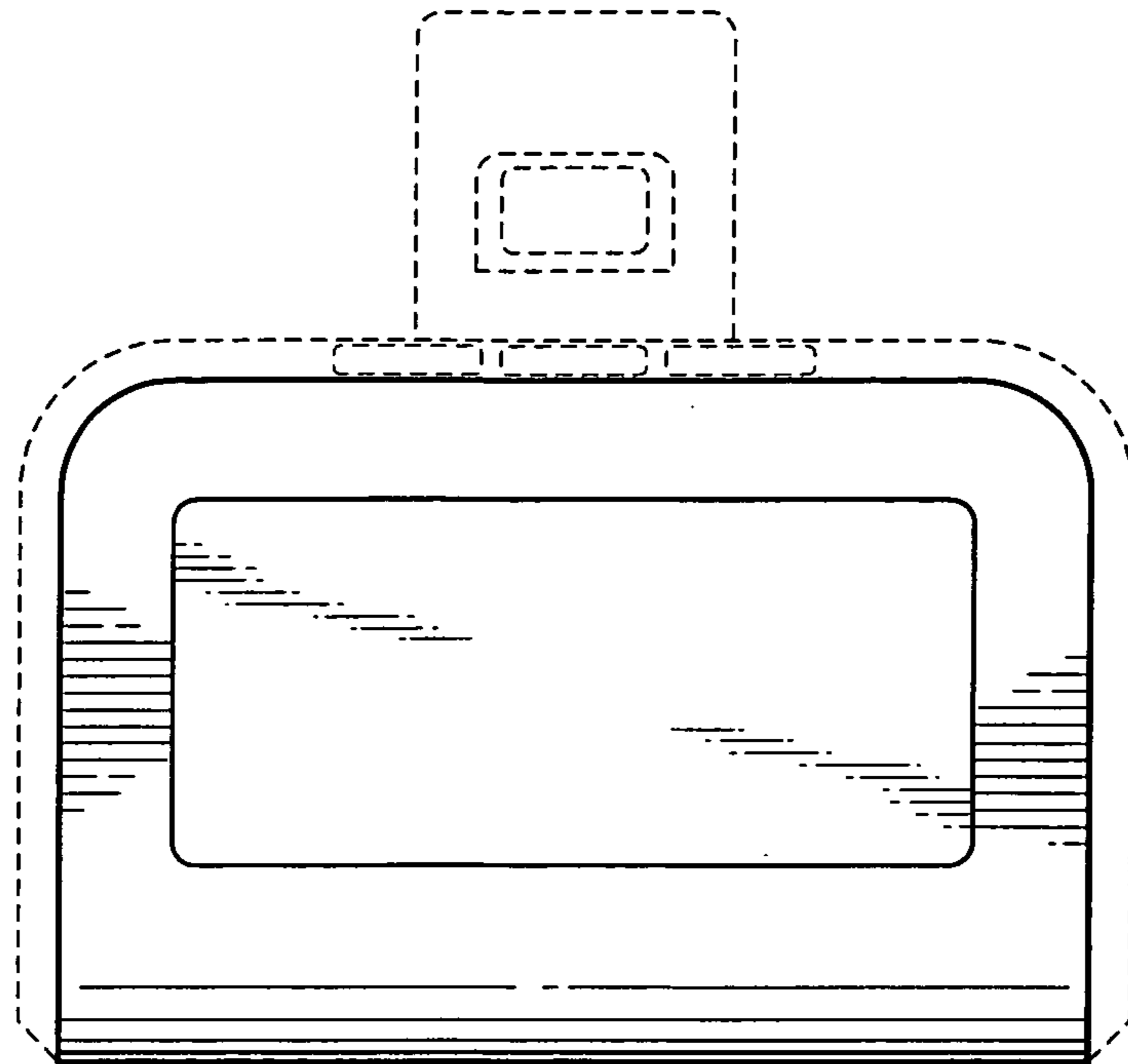


FIG. 3

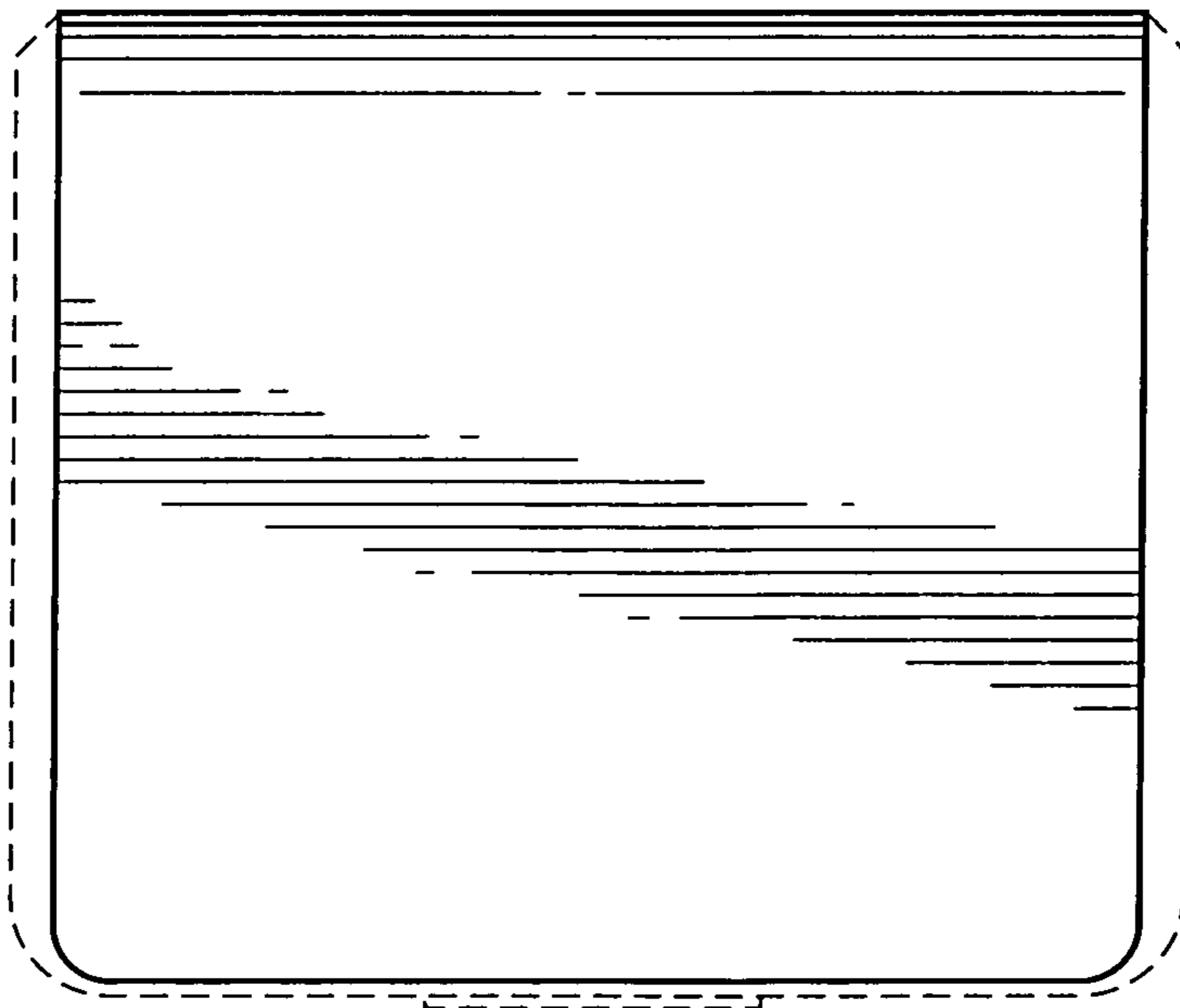


FIG. 4

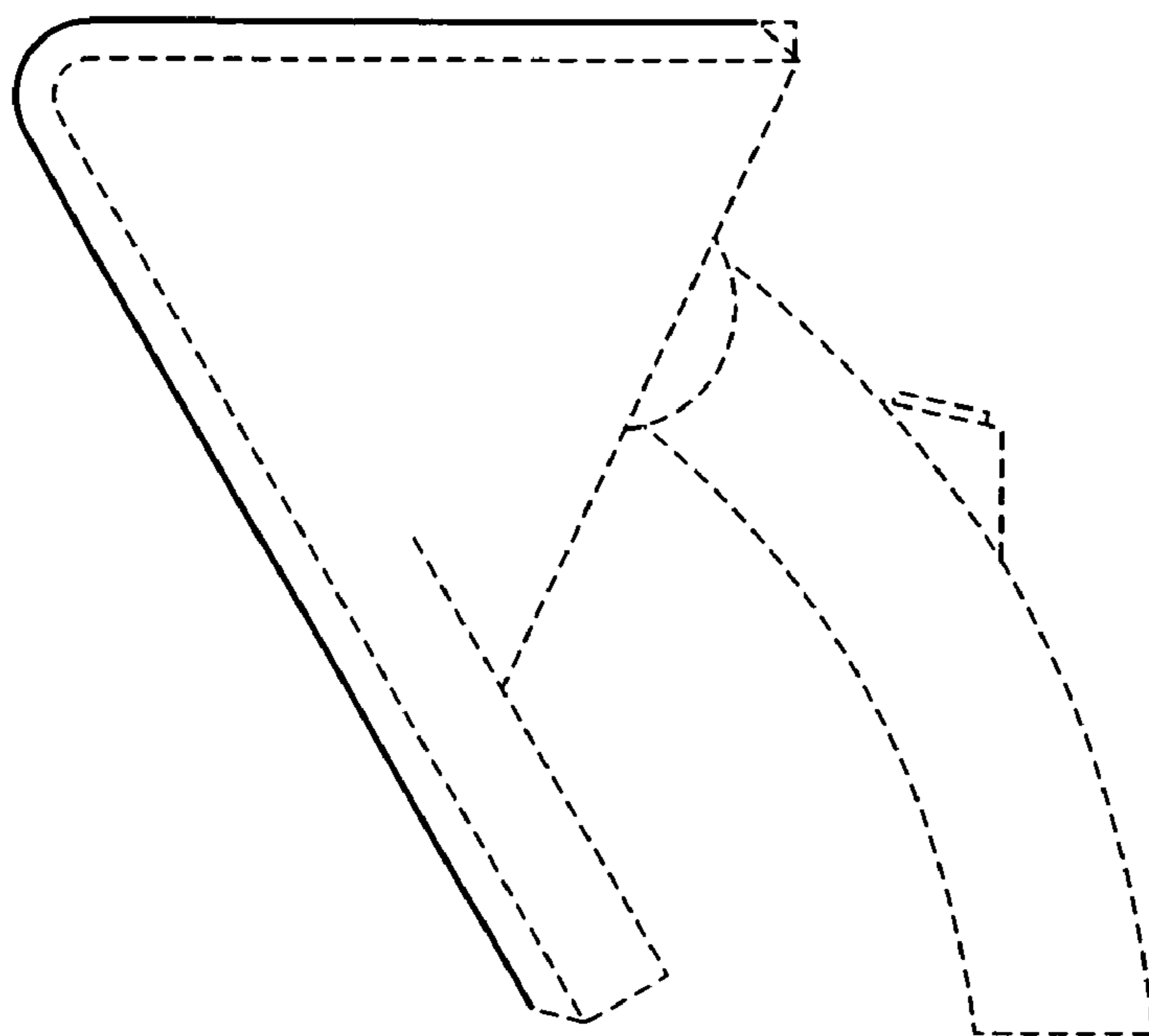


FIG. 5

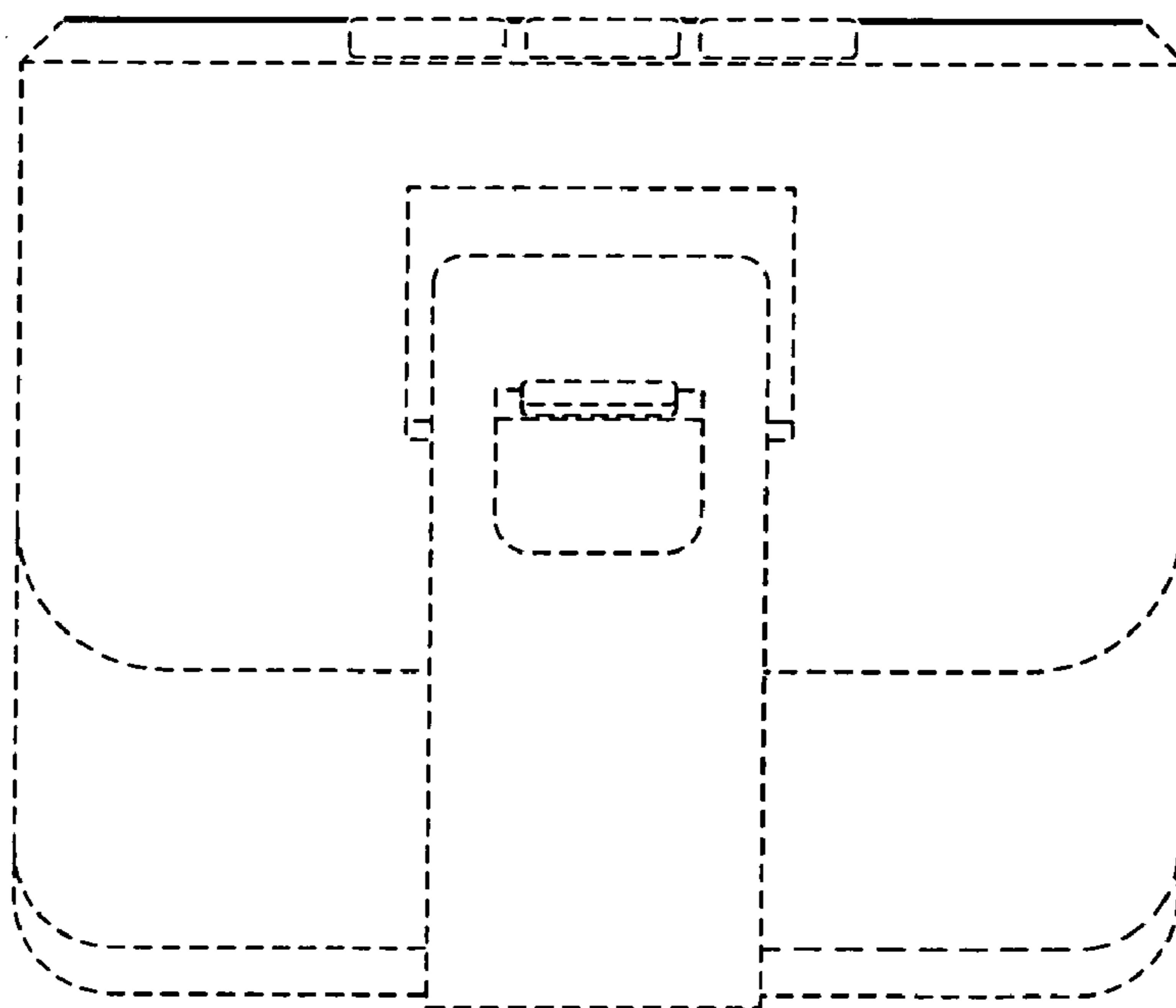


FIG. 6

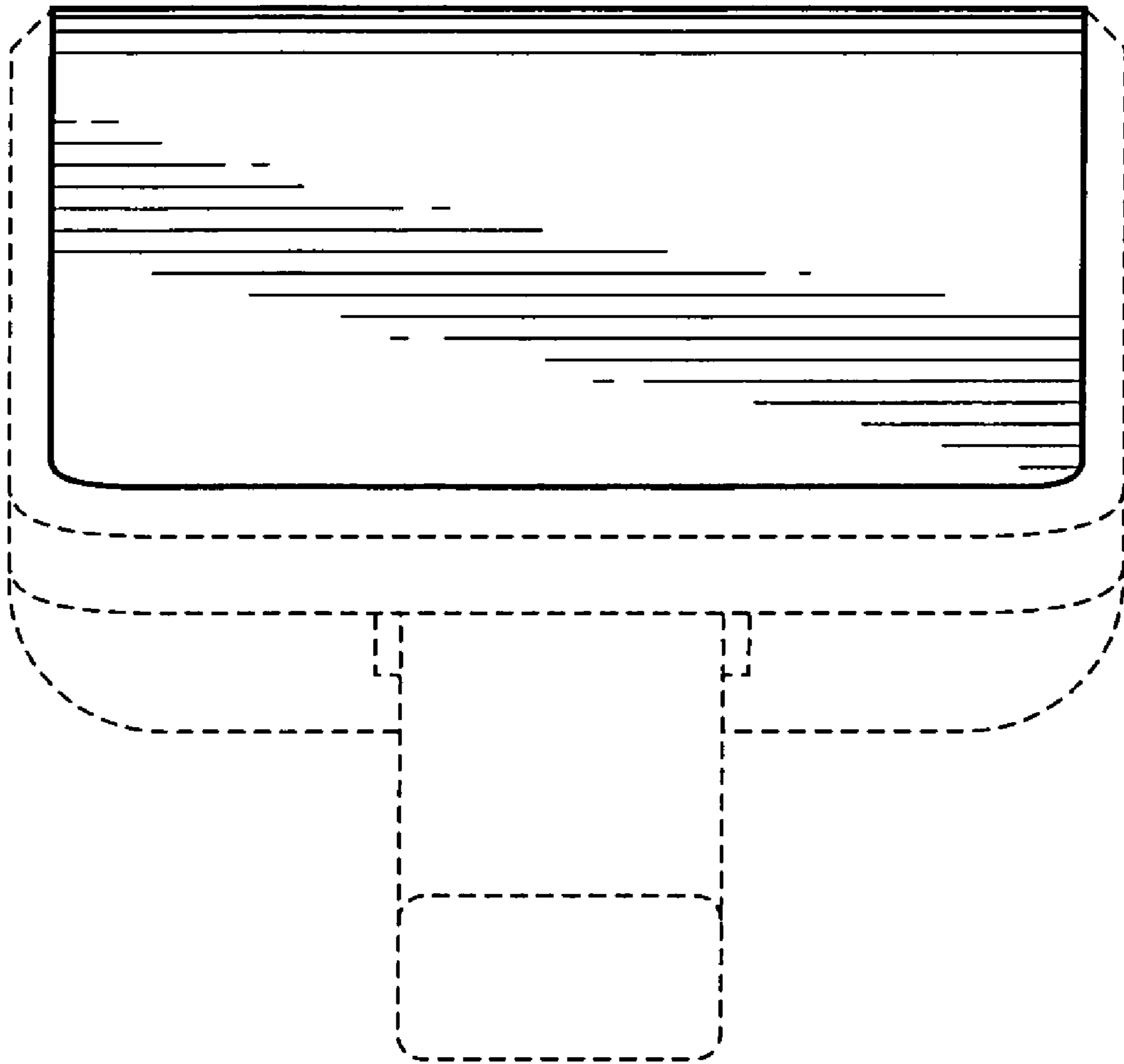


FIG. 7