



US00D583819S

(12) **United States Design Patent**
Romanoff et al.

(10) **Patent No.:** **US D583,819 S**
(45) **Date of Patent:** **** Dec. 30, 2008**

(54) **SHEET SCANNER**

(75) Inventors: **Harris Romanoff**, Narberth, PA (US);
Peter Michaelian, New York, NY (US)

(73) Assignee: **Digital Business Processes, Inc.**,
Philadelphia, PA (US)

(**) Term: **14 Years**

(21) Appl. No.: **29/321,059**

(22) Filed: **Jul. 10, 2008**

Related U.S. Application Data

(62) Division of application No. 29/299,481, filed on Dec. 27, 2007.

(51) **LOC (8) Cl.** **14-02**

(52) **U.S. Cl.** **D14/422**

(58) **Field of Classification Search** D14/420-425,
D14/462-470, 389, 125, 399; D18/50, 54,
D18/55, 53, 36-39, 14, 18-21, 49, 52, 51,
D18/54.4; 358/400, 401, 448, 474, 486-488,
358/496; 382/312, 317, 321, 315; 400/613,
400/613.1-613.4, 690.1-690.4, 691-694,
400/88, 175; 399/107, 379, 380, 211, 212;
235/462.11, 462.41, 472.01, 470, 462.43;
361/680, 681

See application file for complete search history.

(56) **References Cited**

U.S. PATENT DOCUMENTS

D263,831 S * 4/1982 Barbera et al. D14/462
D264,846 S * 6/1982 Taguchi D14/462
4,806,036 A * 2/1989 Ward et al. 400/691
D312,079 S * 11/1990 Komatsu D14/469
D315,360 S * 3/1991 Tokuda et al. D18/54
D333,316 S * 2/1993 Ishizawa D18/55

D337,578 S * 7/1993 Nagele D14/469
D340,740 S * 10/1993 Kawashima D18/50
D344,513 S * 2/1994 Taniuchi et al. D14/144
D350,977 S * 9/1994 Lewis et al. D18/50
D378,927 S * 4/1997 Kasahara et al. D18/50
D399,524 S * 10/1998 Nakajima D18/50
D408,799 S * 4/1999 Daury D14/385
D422,570 S * 4/2000 Kobayashi D14/422
D443,878 S * 6/2001 Sakata et al. D14/422
D444,813 S * 7/2001 Quijano D18/55
6,540,219 B1 * 4/2003 Naruse et al. 271/37
D475,052 S * 5/2003 Chujou et al. D14/422
6,568,674 B2 * 5/2003 Matsuda 271/274
D478,618 S * 8/2003 Obara D18/54
D518,826 S * 4/2006 Chujou et al. D14/422
2003/0063337 A1 * 4/2003 Shirai et al. 358/498

* cited by examiner

Primary Examiner—Melanie H Tung

Assistant Examiner—Susan Moon Lee

(74) *Attorney, Agent, or Firm*—Woodcock Washburn LLP

(57) **CLAIM**

The ornamental design for a sheet scanner, as shown and described.

DESCRIPTION

FIG. 1 is a front perspective view of an embodiment of a sheet scanner in accordance with our new design;

FIG. 2 is a front elevational view thereof;

FIG. 3 is a rear elevational view thereof;

FIG. 4 is a top plan view thereof;

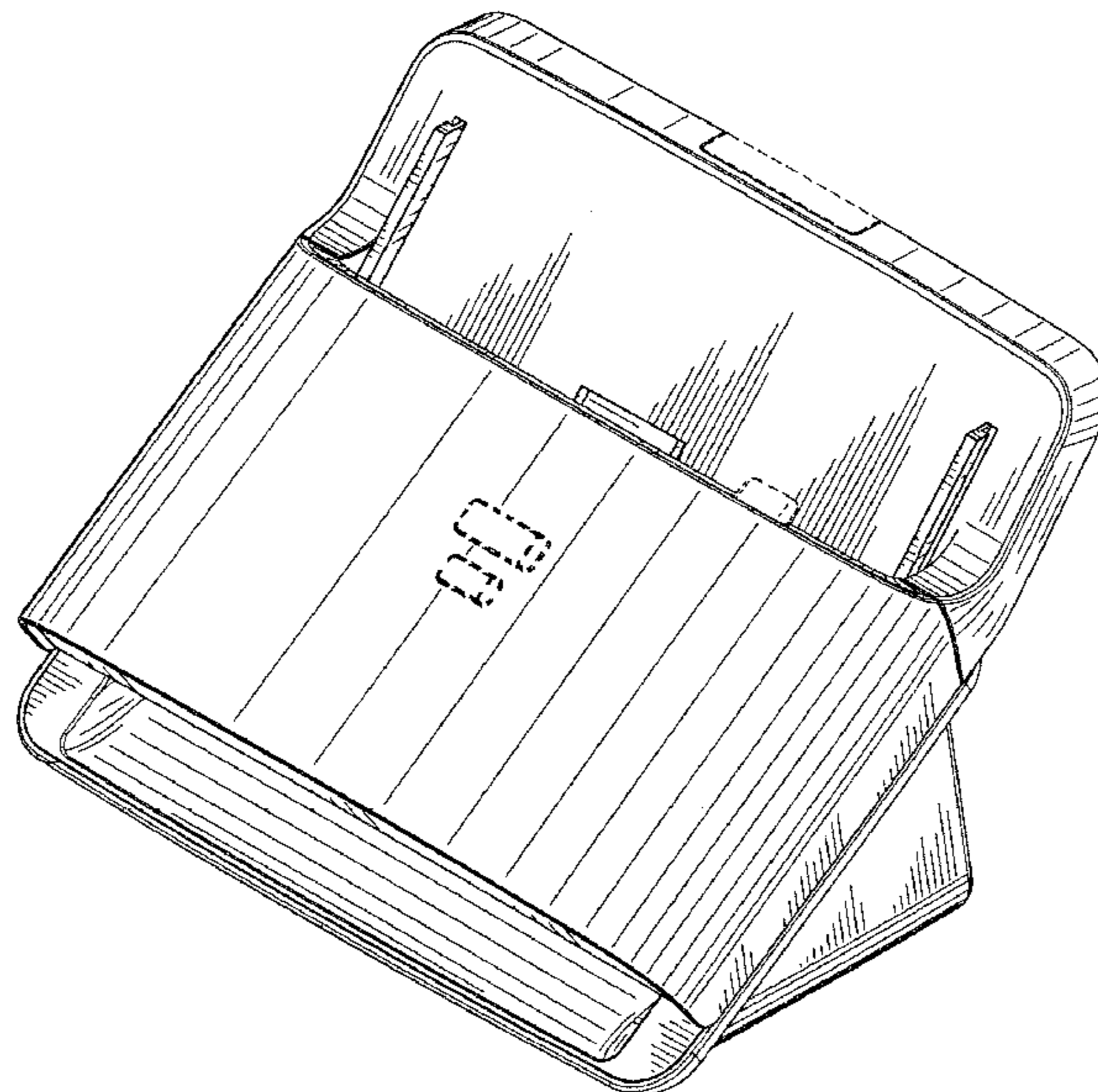
FIG. 5 is a bottom plan view thereof;

FIG. 6 is a right-side elevational view thereof; and,

FIG. 7 is a left-side elevational view thereof.

The portions shown in broken line are not claimed.

1 Claim, 4 Drawing Sheets



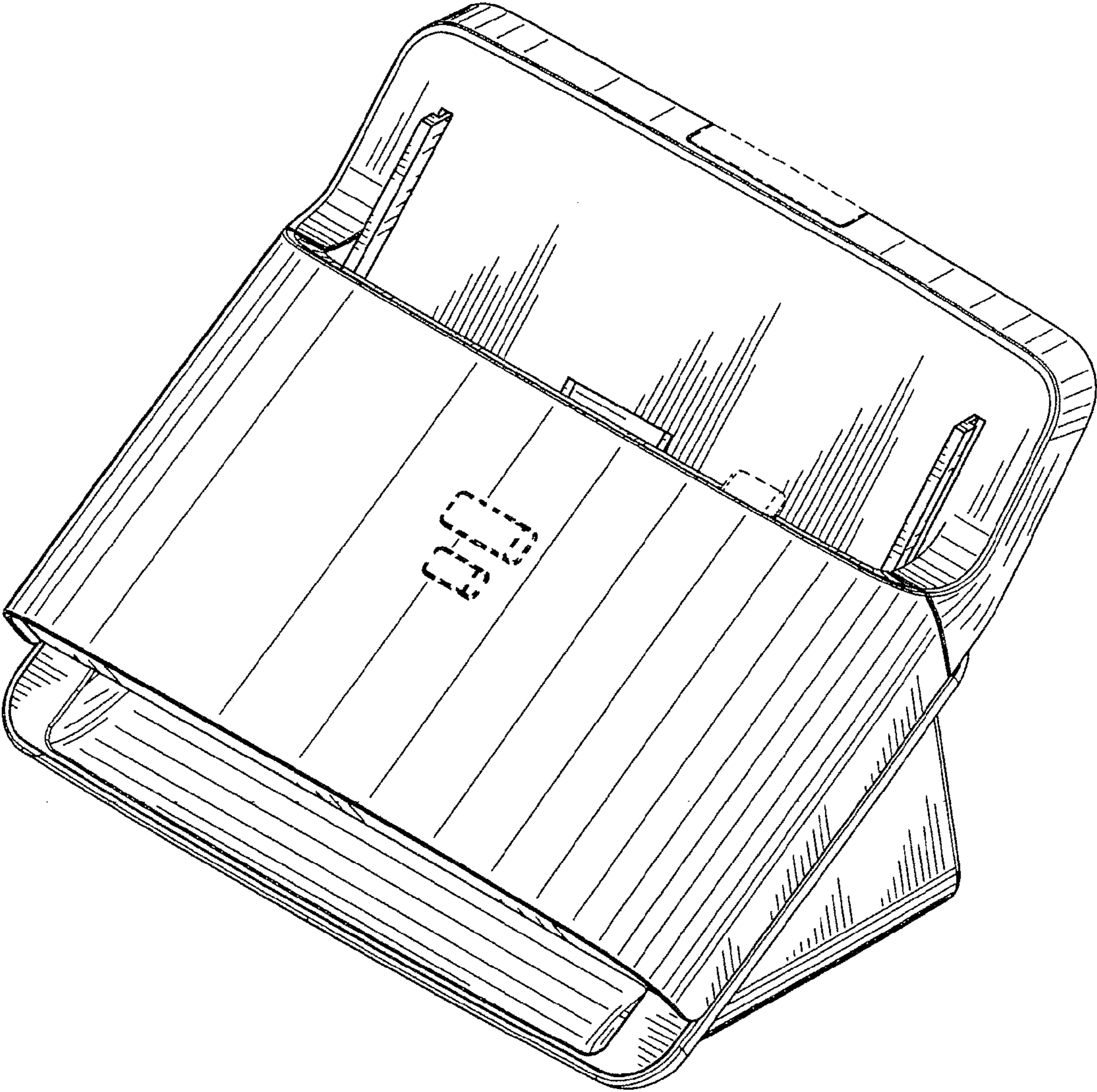


FIG. 1

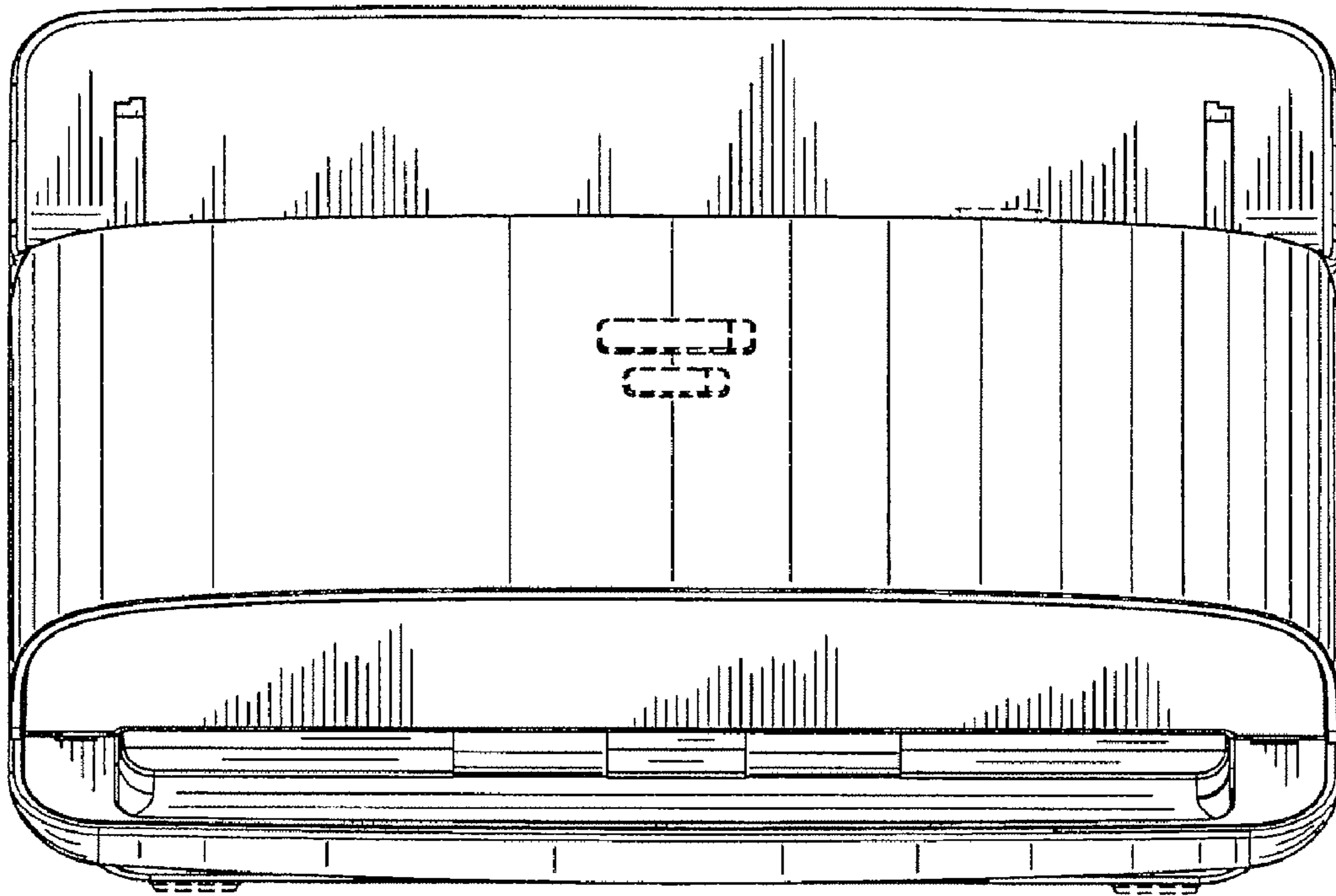


FIG. 2

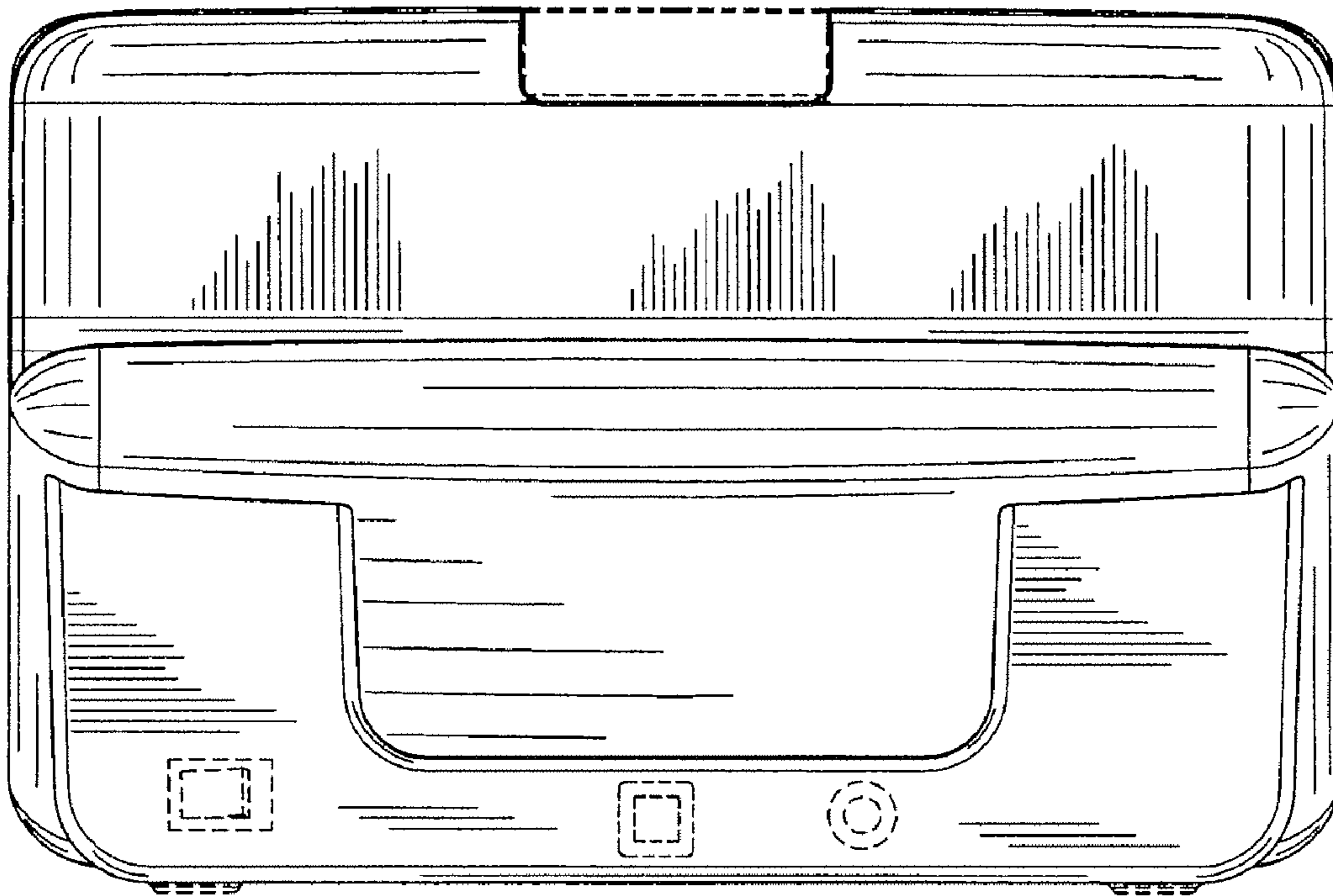


FIG. 3

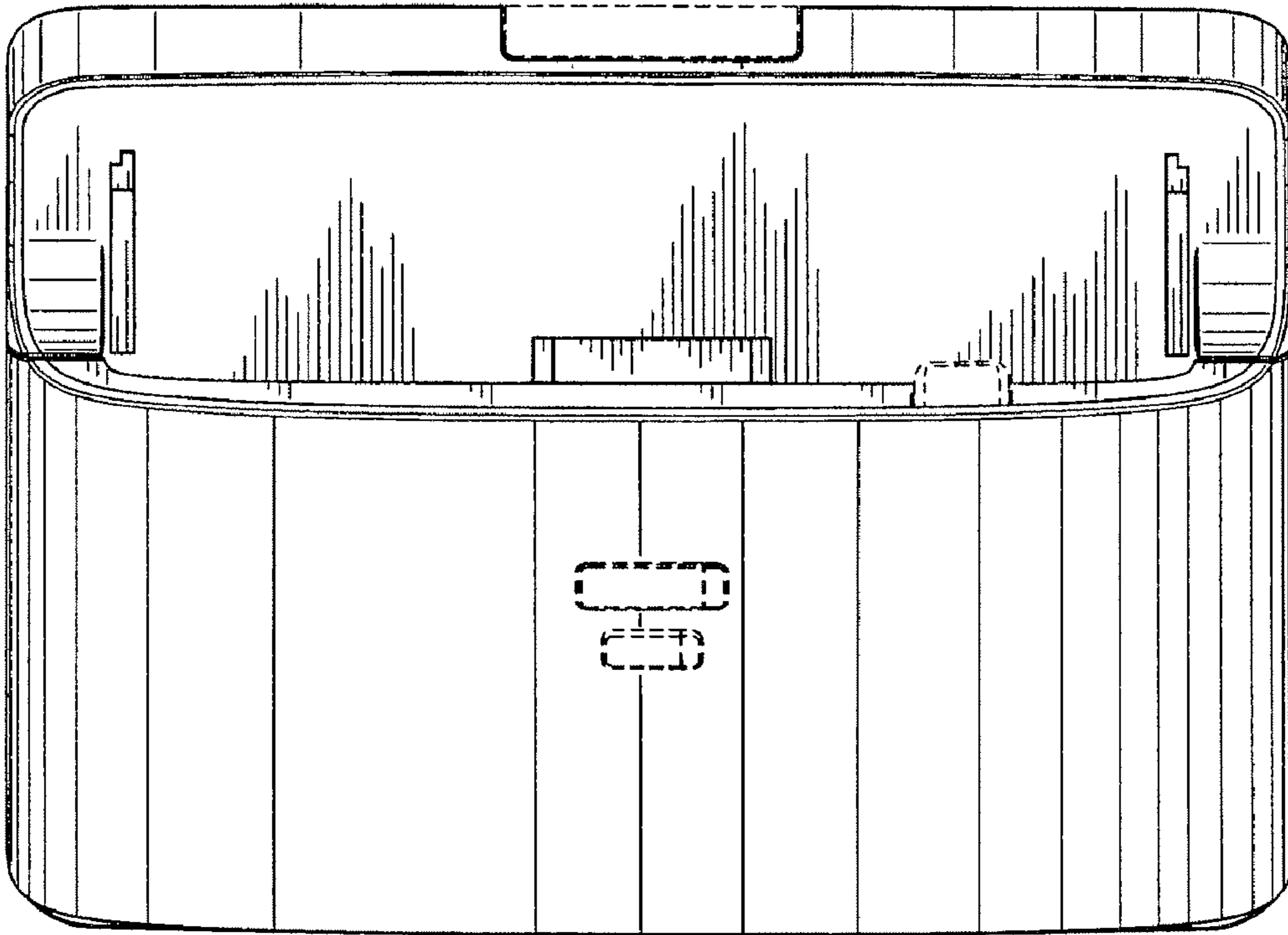


FIG. 4

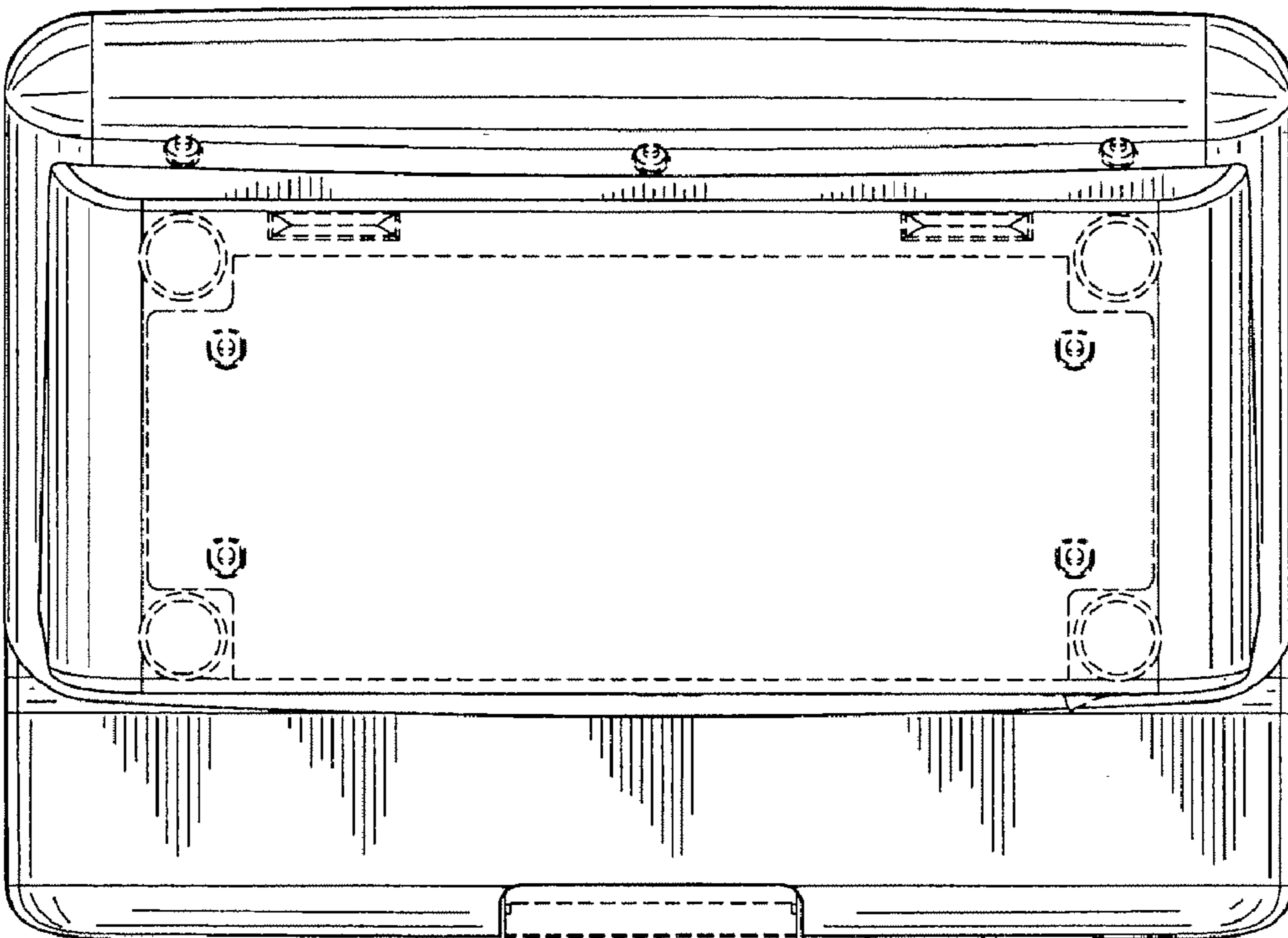


FIG. 5

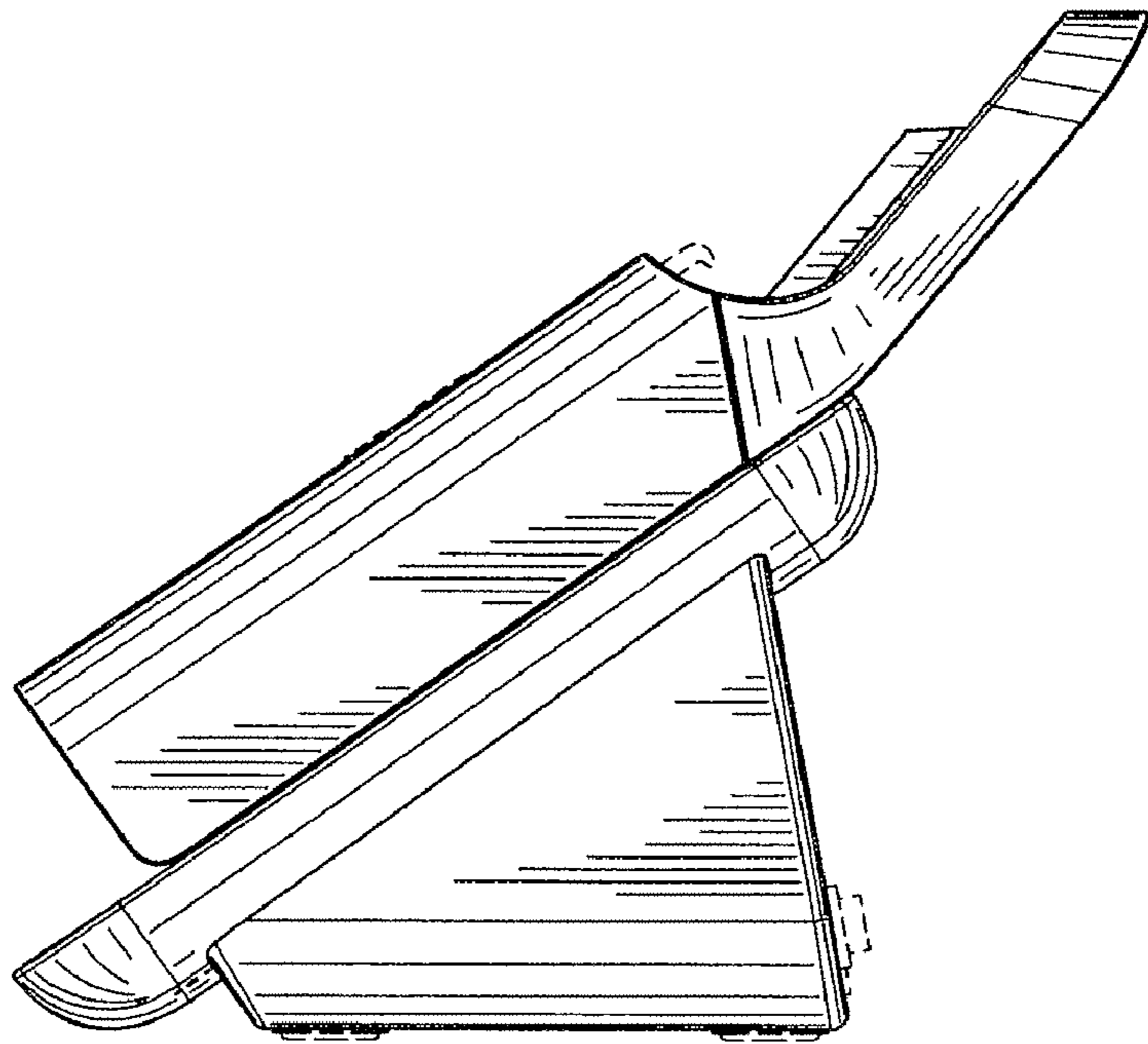


FIG. 6

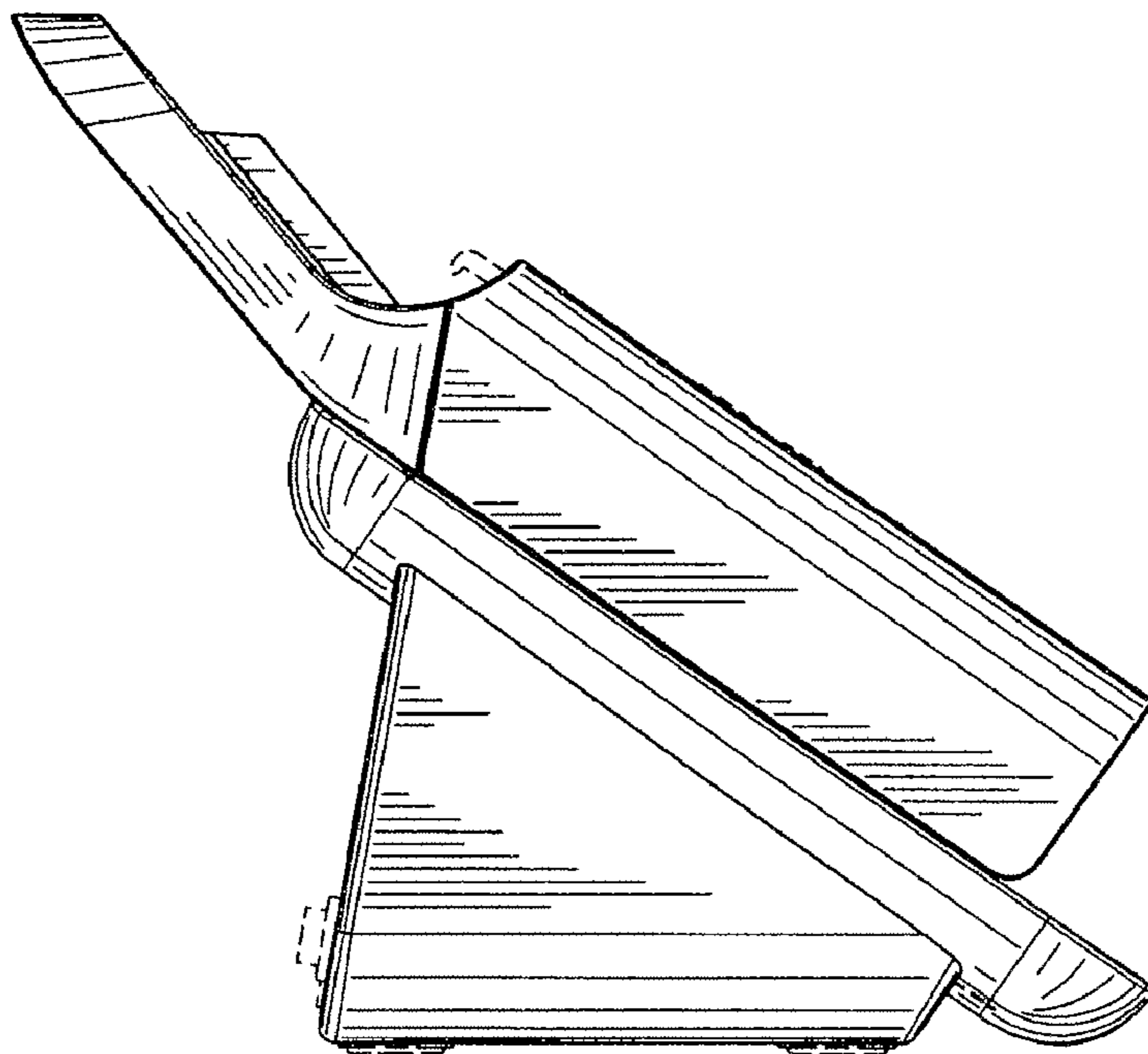


FIG. 7