



US00D583817S

(12) **United States Design Patent**
Satou et al.

(10) **Patent No.:** **US D583,817 S**
(45) **Date of Patent:** **** Dec. 30, 2008**

(54) **PERSONAL AUTHENTICATION DEVICE**

D425,881 S * 5/2000 Borza D14/384
D483,762 S * 12/2003 Berr et al. D14/383

(75) Inventors: **Takashi Satou**, Kokubunji (JP); **Isshu Nakajima**, Fuchu (JP); **Koji Suso**, Kokubunji (JP); **Yuichi Horiuchi**, Hitachinaka (JP)

* cited by examiner

Primary Examiner—Freda S Nunn

(73) Assignee: **Hitachi, Ltd.**, Tokyo (JP)

(74) *Attorney, Agent, or Firm*—Antonelli, Terry, Stout & Kraus, LLP.

(**) Term: **14 Years**

(57) **CLAIM**

(21) Appl. No.: **29/277,962**

We claim the ornamental design for personal authentication device, as shown.

(22) Filed: **Mar. 15, 2007**

(51) **LOC (8) Cl.** **14-02**

DESCRIPTION

(52) **U.S. Cl.** **D14/383**

(58) **Field of Classification Search** D14/383–387,
D14/426; 345/169, 173; 356/71, 237.1;
382/116, 124–126, 181, 207; 235/382, 382.5;
355/64, 65, 75, 81; 118/31.5; 283/68–70,
283/74, 75, 78

FIG. 1 is a front, top and right side perspective view of personal authentication device showing our new design;

FIG. 2 is a front elevational view thereof;

FIG. 3 is a right side elevational view thereof;

FIG. 4 is a rear elevational view thereof;

FIG. 5 is a left side elevational view thereof;

FIG. 6 is a top plan view thereof; and,

FIG. 7 is a bottom plan view thereof.

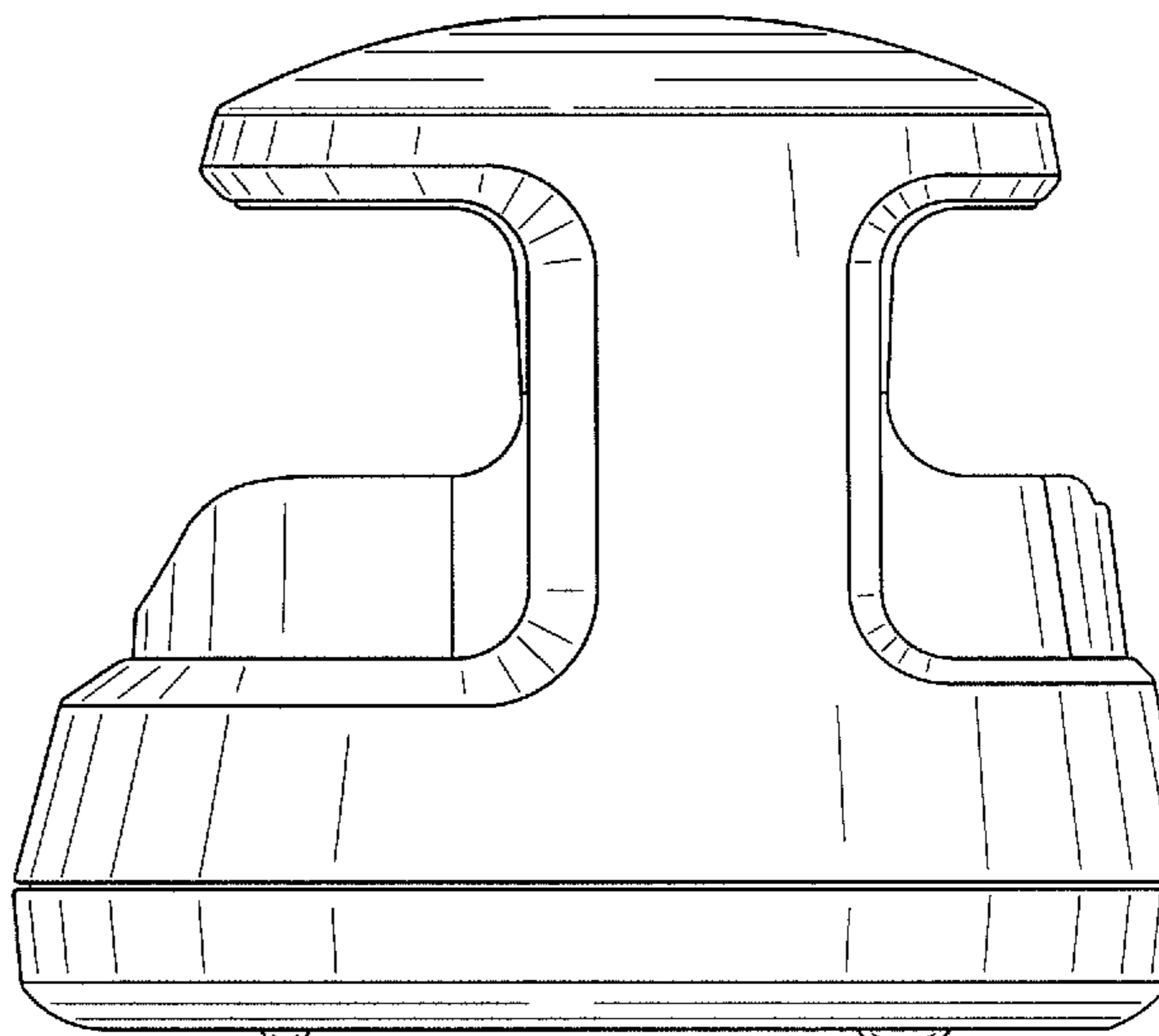
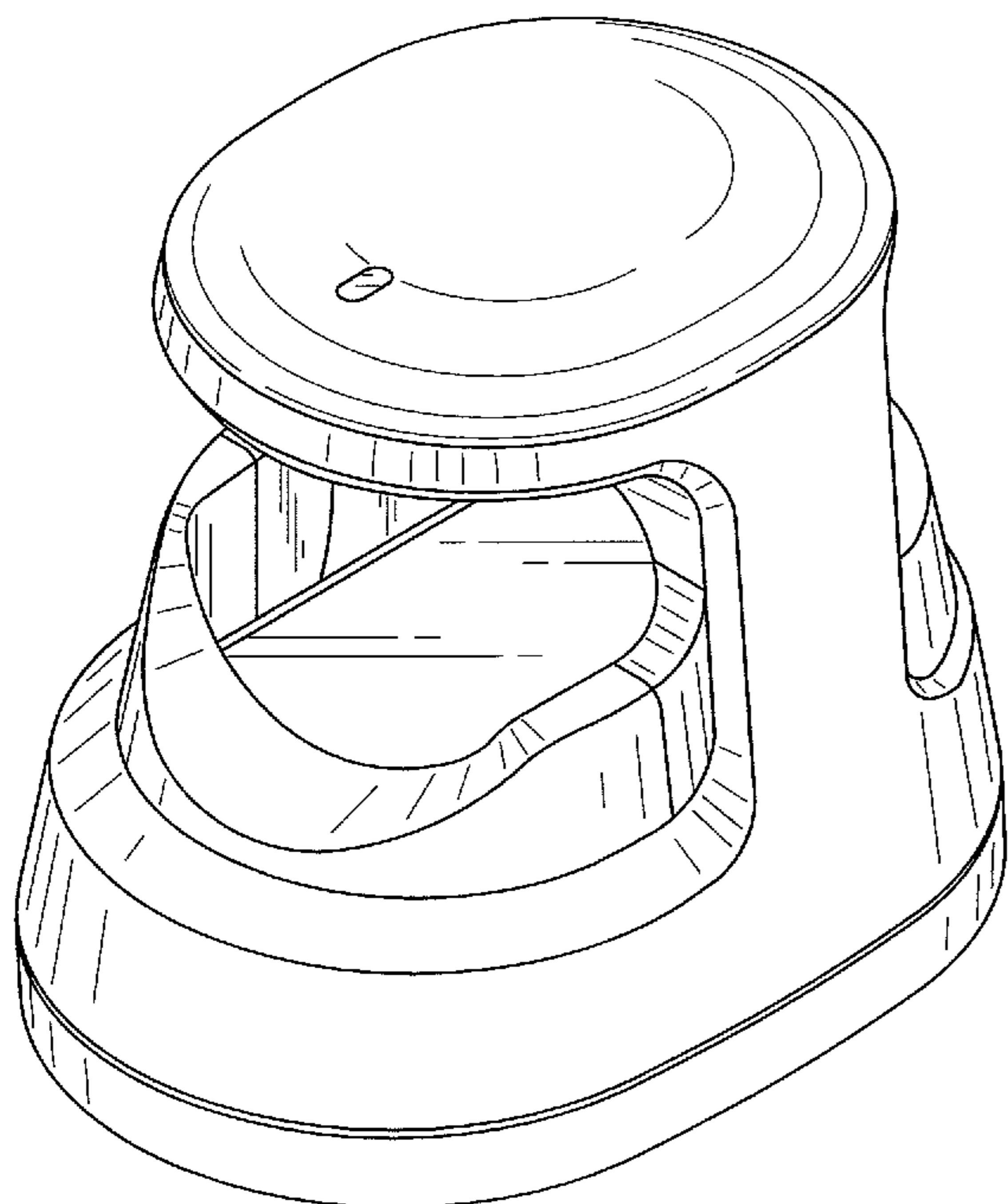
See application file for complete search history.

(56) **References Cited**

U.S. PATENT DOCUMENTS

6,028,950 A * 2/2000 Merjanian 382/126
6,041,134 A * 3/2000 Merjanian 382/126

1 Claim, 4 Drawing Sheets



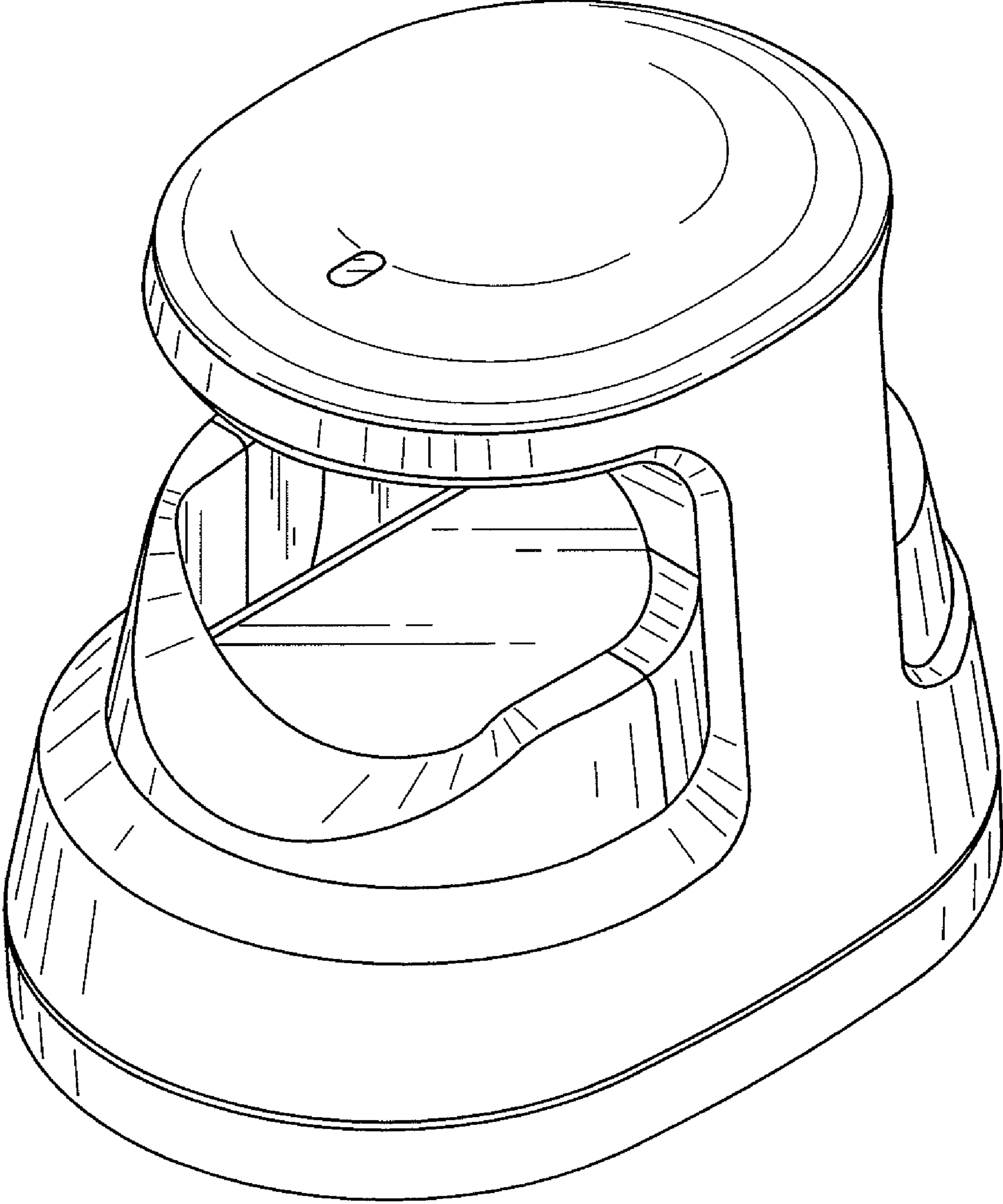


FIG. 1

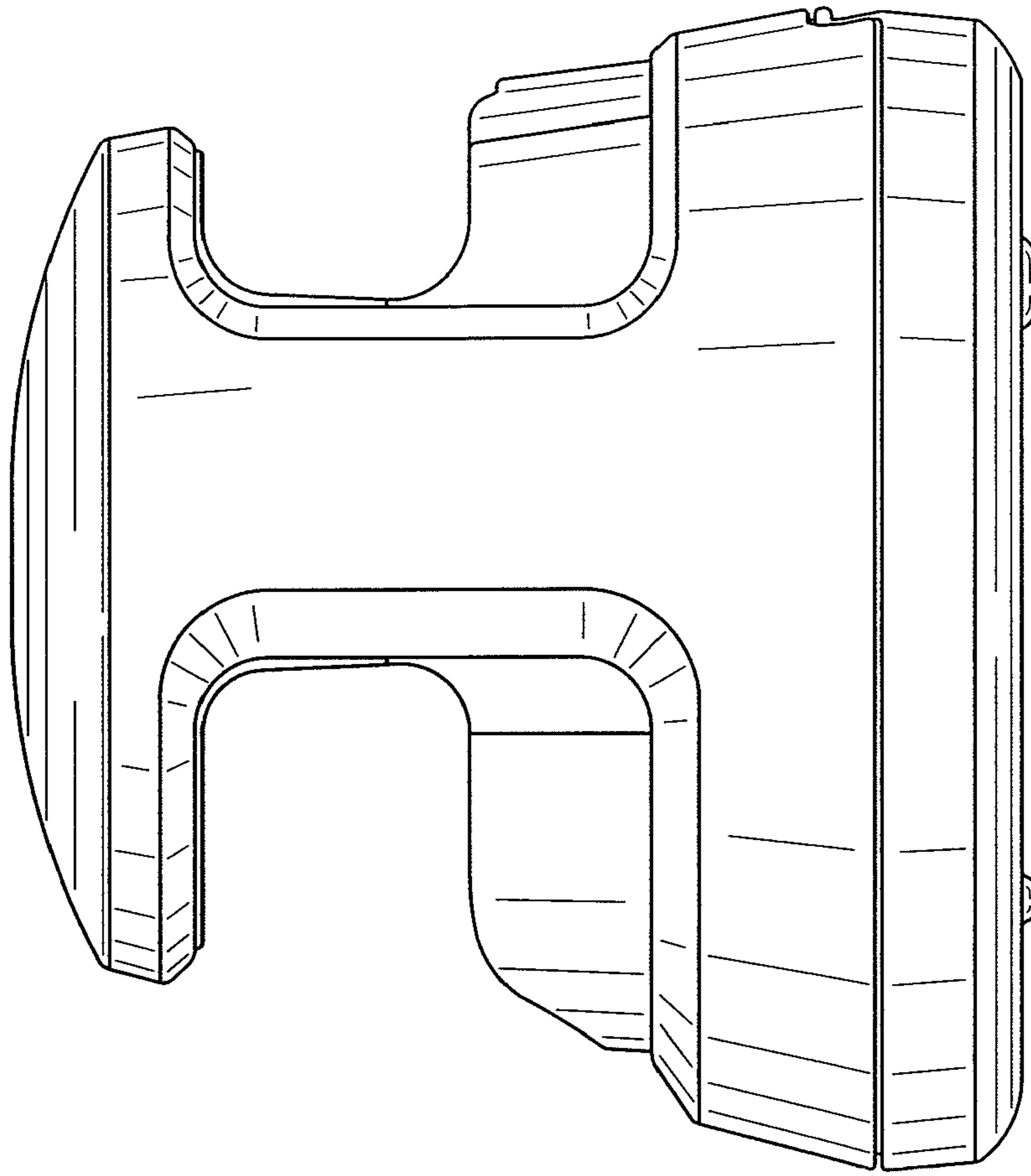


FIG. 2

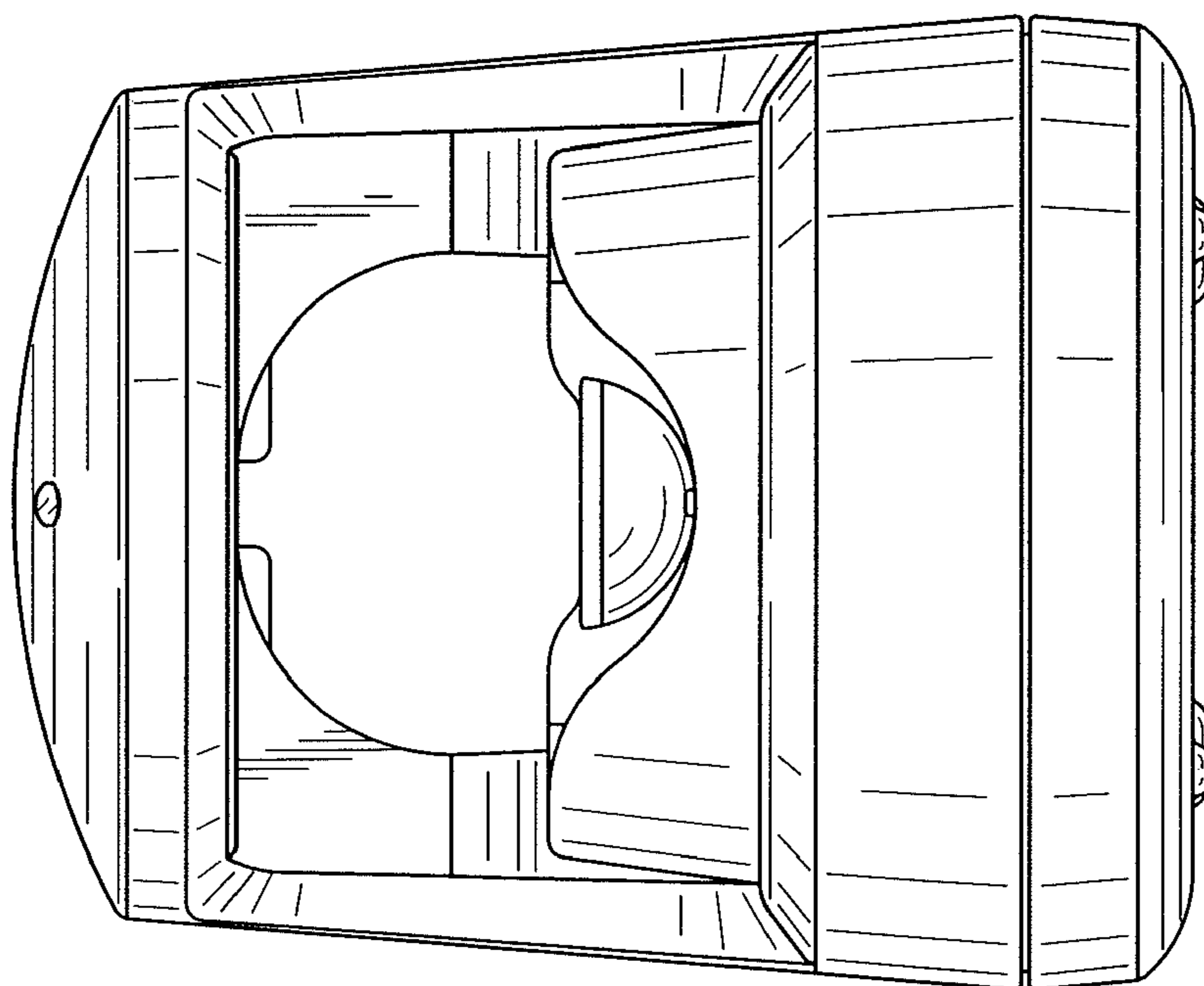


FIG. 3

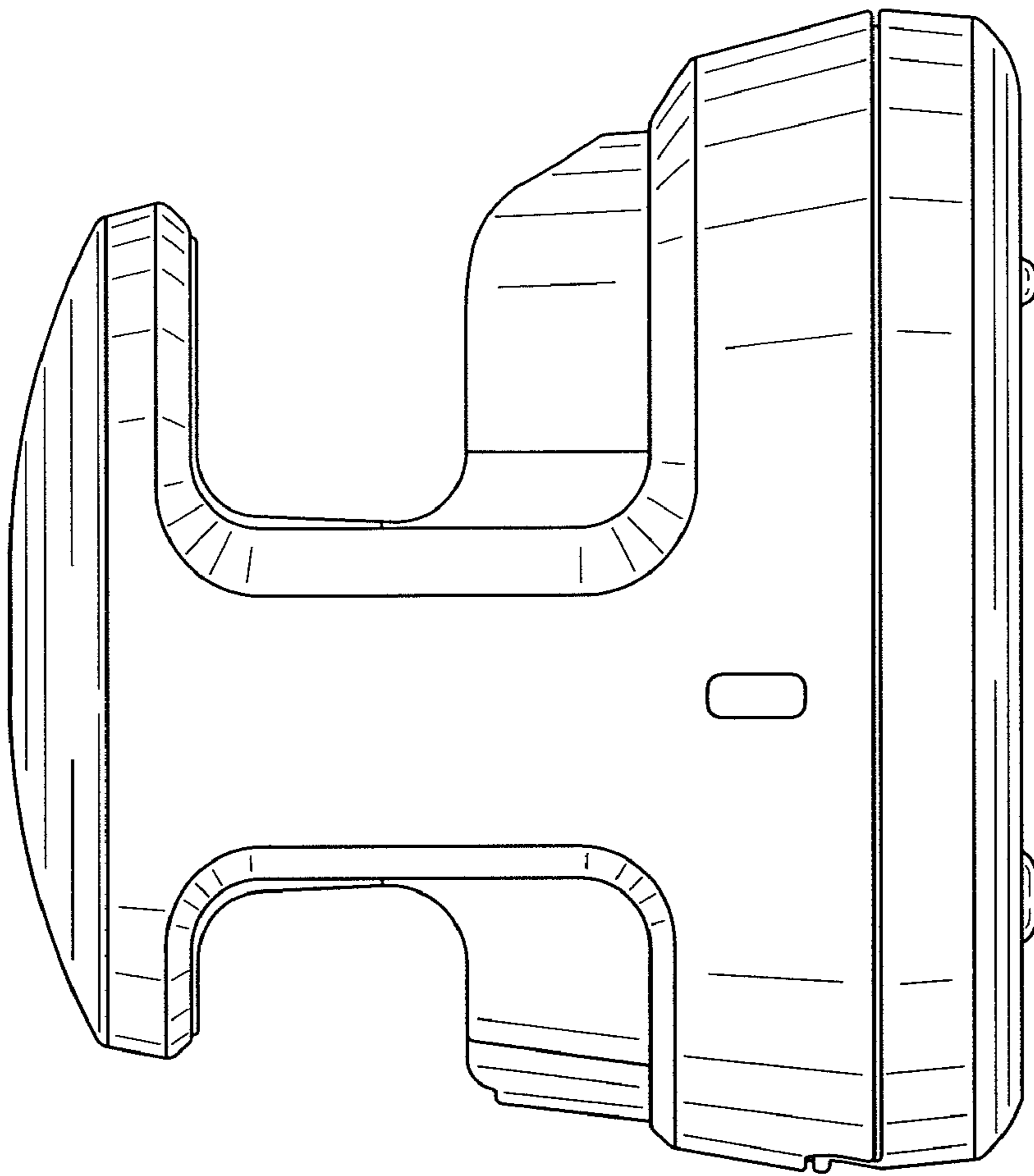


FIG. 4

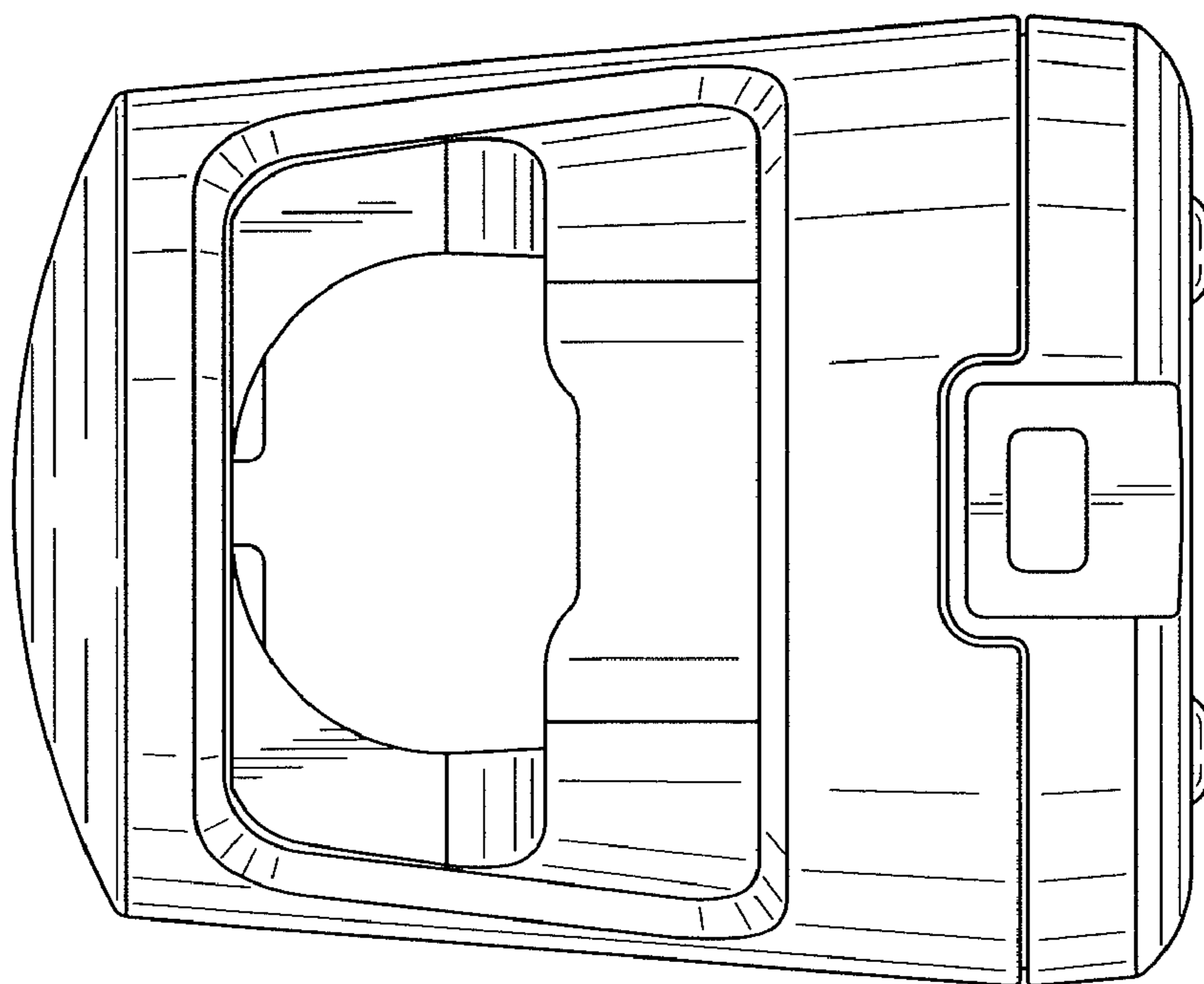


FIG. 5

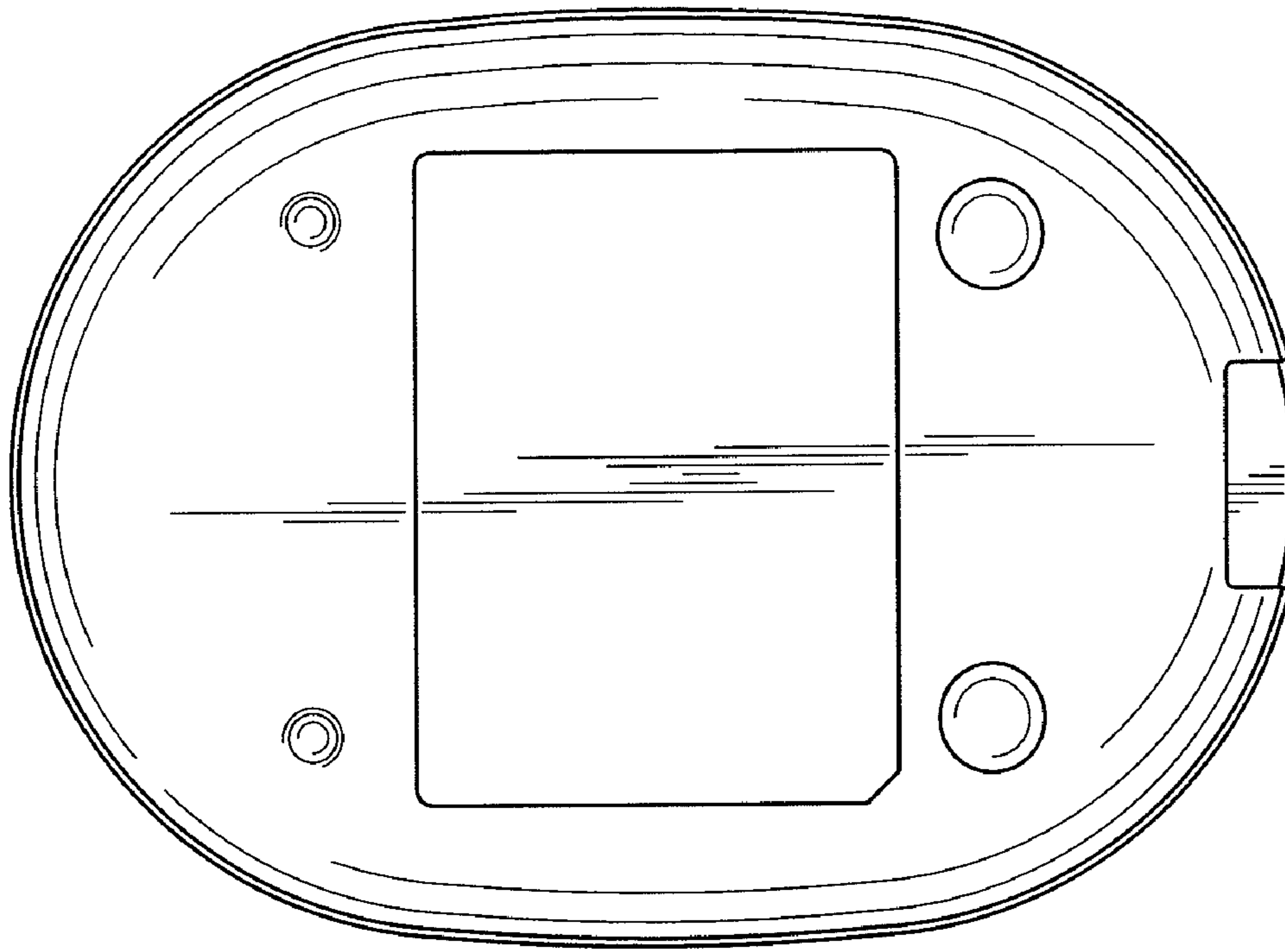


FIG. 7

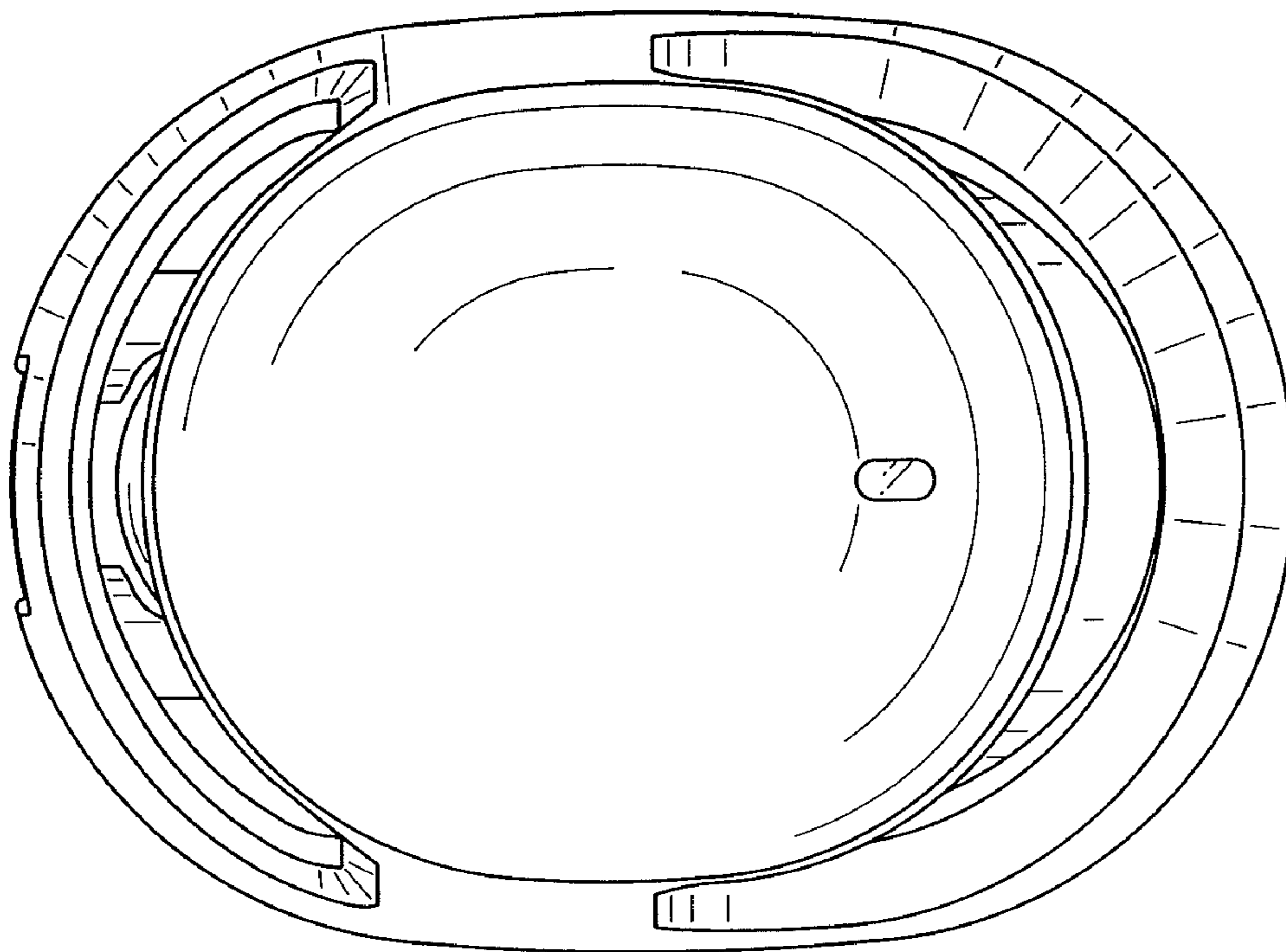


FIG. 6