



US00D583816S

(12) **United States Design Patent**
Guccione et al.

(10) **Patent No.:** **US D583,816 S**

(45) **Date of Patent:** **** Dec. 30, 2008**

(54) **WIRELESS TRANSMITTING AND RECEIVING DEVICE**

(75) Inventors: **Darren S. Guccione**, Wheaton, IL (US);
Craig B. Lurey, El Dorado Hills, CA (US)

(73) Assignee: **Callpod Inc.**, Chicago, IL (US)

(**) Term: **14 Years**

(21) Appl. No.: **29/302,117**

(22) Filed: **Jan. 10, 2008**

(51) **LOC (8) Cl.** **14-02**

(52) **U.S. Cl.** **D14/358**

(58) **Field of Classification Search** D14/436,
D14/411, 384–385, 518, 348, 432–435, 299,
D14/167, 402, 242, 356, 358, 496, 156, 240;
710/300–301; 439/131, 140–141; 361/684,
361/686

See application file for complete search history.

(56) **References Cited**

U.S. PATENT DOCUMENTS

6,758,689	B1 *	7/2004	Bair et al.	439/136
D500,302	S *	12/2004	Deguchi	D14/480.1
D513,005	S *	12/2005	Kobayakawa	D14/480.1
6,975,274	B2 *	12/2005	Sanchez et al.	343/702
D529,044	S *	9/2006	Andre et al.	D14/203.3
D537,820	S *	3/2007	Hsu	D14/480.1
D541,797	S *	5/2007	Chen	D14/480.3
D542,787	S *	5/2007	Siu	D14/356
D542,789	S *	5/2007	Depay	D14/435.1
7,214,075	B2 *	5/2007	He et al.	439/135
7,223,574	B2 *	5/2007	Lei et al.	439/140
D545,318	S *	6/2007	Klenske et al.	D14/432
D546,328	S *	7/2007	Kobayakawa	D14/480.7
D547,758	S *	7/2007	Ho et al.	D14/480.7
7,241,153	B2 *	7/2007	He et al.	439/148
D554,119	S *	10/2007	Otsuka et al.	D14/356

D555,158	S *	11/2007	Lo	D14/356
D557,697	S *	12/2007	Chen et al.	D14/356
2008/0232060	A1 *	9/2008	Yu et al.	361/684

OTHER PUBLICATIONS

Drone—Plug & Play 100-meter range Bluetooth VOIP and Music for your PC, [online], [retrieved on Oct. 14, 2008]. Retrieved from the Internet <URL: <http://www.callpod.com/products/drone>>.*

(Continued)

Primary Examiner—Robin V Webster

Assistant Examiner—Karen E Kearney

(74) *Attorney, Agent, or Firm*—Levenfeld Pearlstein, LLC

(57) **CLAIM**

The ornamental design for a wireless transmitting and receiving device, as shown and described.

DESCRIPTION

FIG. 1 is a front, top perspective view of a wireless transmitting and receiving device;

FIG. 2 is a top view thereof, the bottom being identical thereto;

FIG. 3 is a side view thereof as seen from the left-hand side of FIG. 1;

FIG. 4 is a side view thereof as seen from the right-hand side of FIG. 1

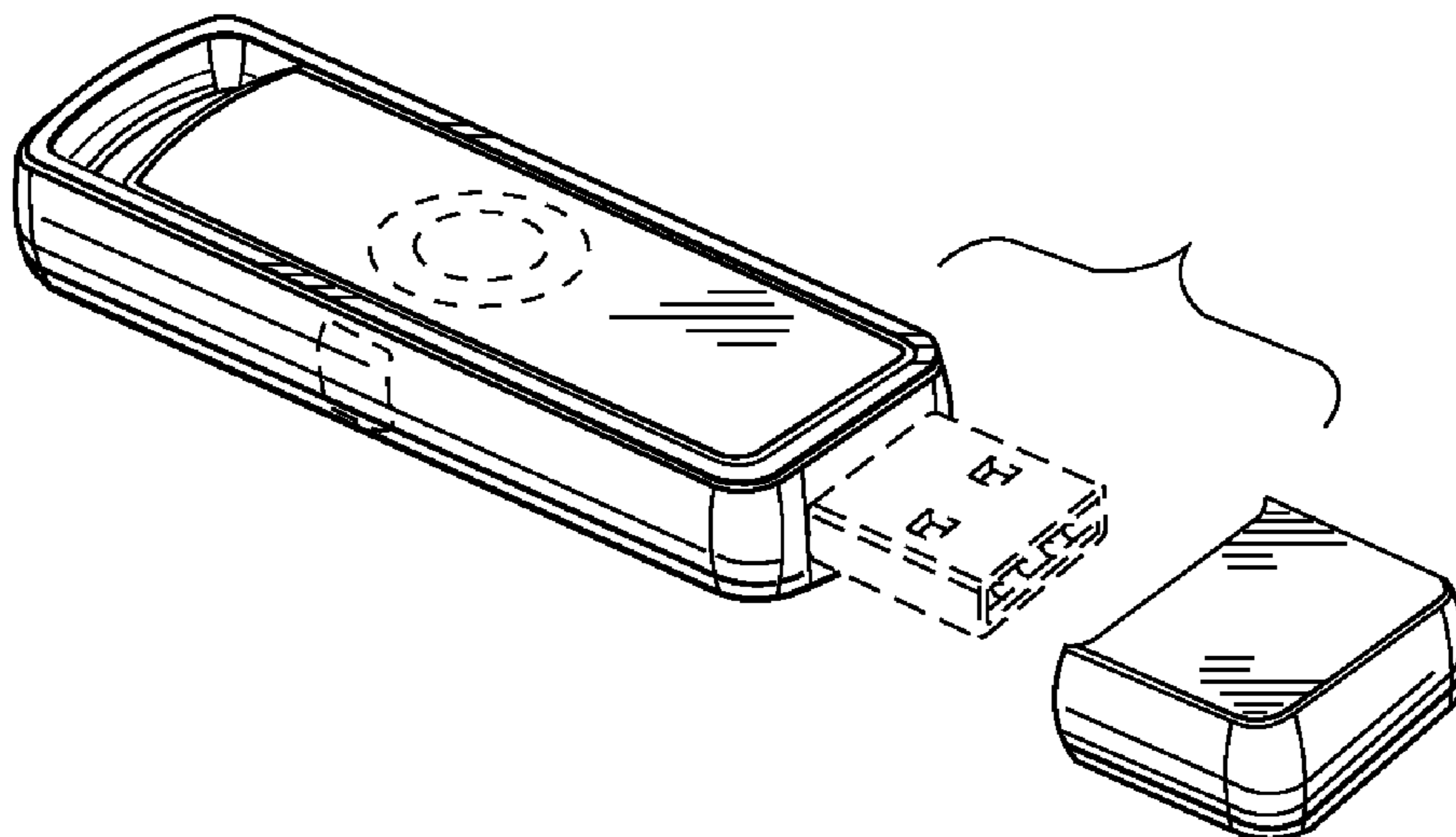
FIG. 5 is a front view thereof;

FIG. 6 is a rear view thereof; and,

FIG. 7 is a rear, top perspective view thereof, shown with a cap exploded for ease of illustration.

The broken lines showing of the circular boundaries in FIGS. 1–2 and 7, the square in FIG. 3, and the USB port in FIG. 7 are for the purpose of illustrating unclaimed portions and form no part of the design.

1 Claim, 1 Drawing Sheet



OTHER PUBLICATIONS

Flash Drive, [online], [retrieved on Nov. 16, 2006]. Retrieved from the Internet <URL: http://img.alibaba.com/photo/11493648/USB_Flash_Drive.jpg>.*

Byte Star, Web Archive, [online] Nov. 24, 2005 [retrieved on Dec. 13, 2006]. Retrieved from the Internet <URL: <http://web.archive.org/web/20051124213100/http://images-eu.amazon.com/images/P/B000A0D8JK.02.LZZZZZZZ.jpg>>.*

A-Data Flash Drive, Web Archive, [online] Dec. 1, 2005 [retrieved on Dec. 13, 2006]. Retrieved from the Internet <URL: http://web.archive.org/web/20051201015403/http://www.frontier-electronics.co.za/images/sdp_adata_flash_drive.jpg>.*

BuyPromos, LLC. [online], [retrieved on Dec. 6, 2006]. Retrieved from the Internet <URL: <http://buypromosllc.corpkeystore.com/execstr/prodView.asp?idproduct=60>>.*

A-Data Technology, p. 1, [online], [retrieved on Jul. 3, 2007]. Retrieved from the Internet <URL: http://www.adata.com.tw/adata_en/products_search.php>.*

Memorex TravelDrive ID—TDRIVEID 512MB | eMemorex.com, [online], [retrieved on Jan. 30, 2007]. Retrieved from the Internet <URL: http://www.ememorex.com/product_detail.asp?T1=MEM+TDRIVEID+512MB>.*

* cited by examiner

FIG. 1

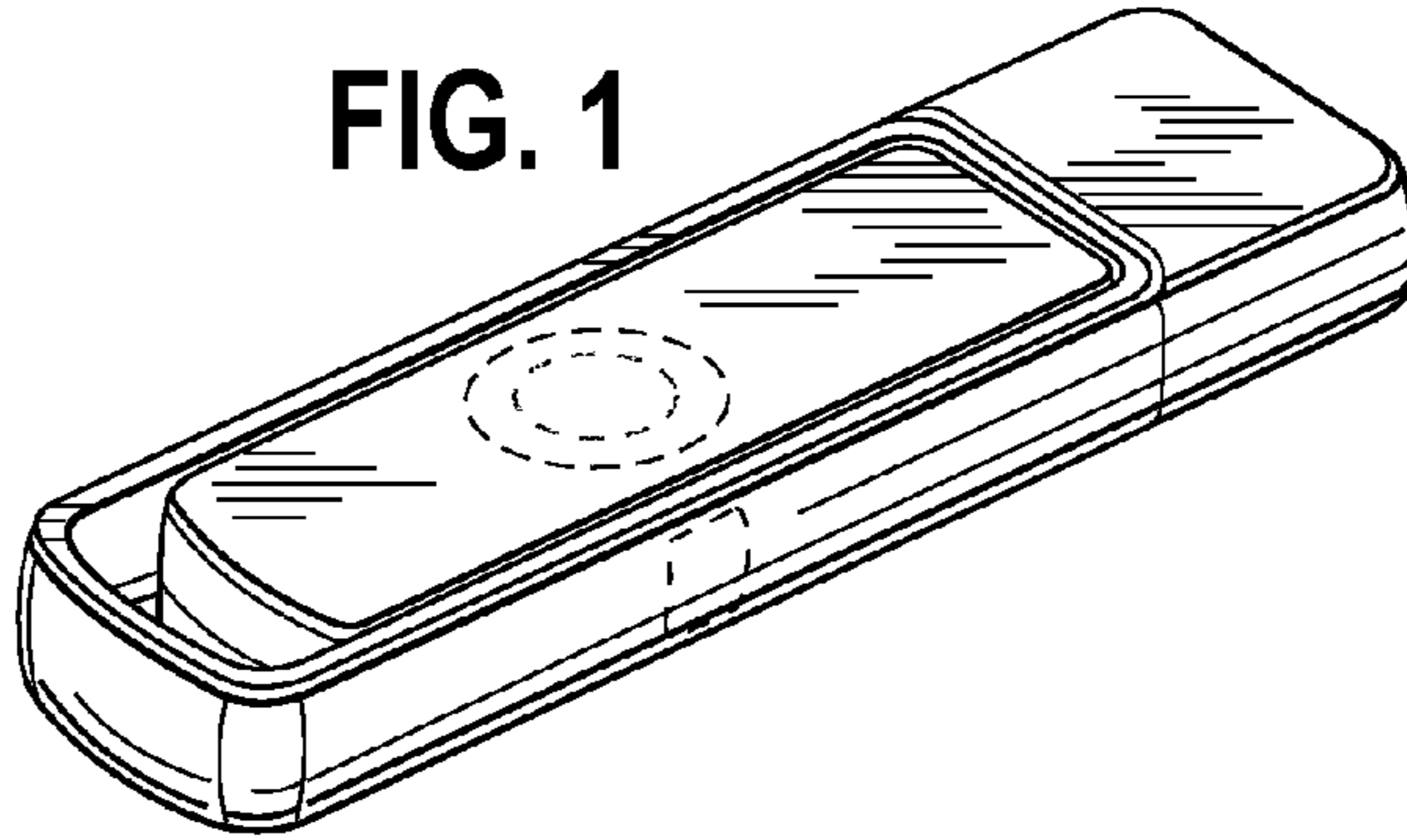


FIG. 2

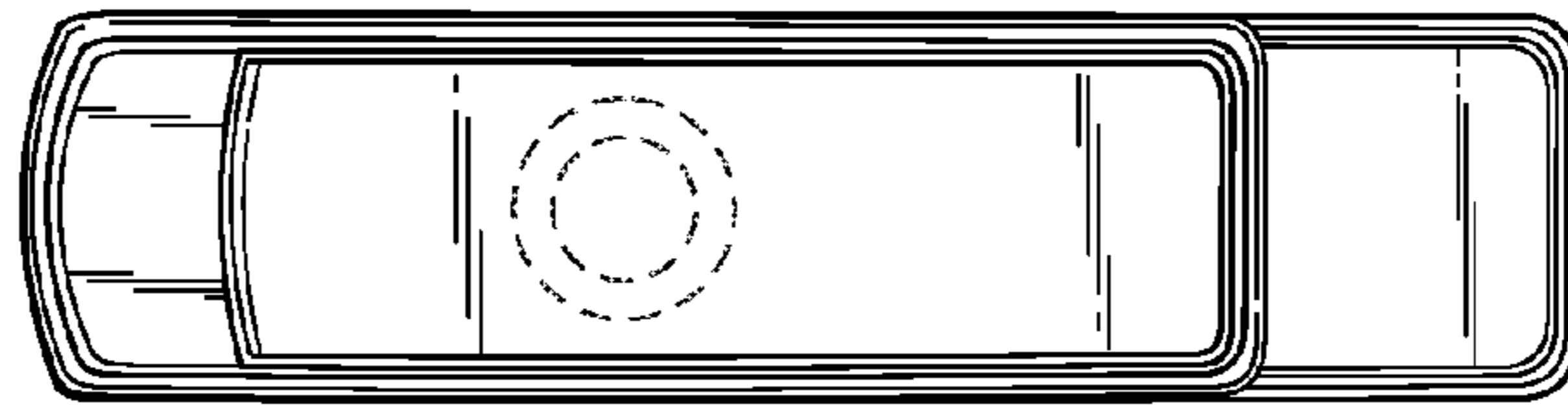


FIG. 3

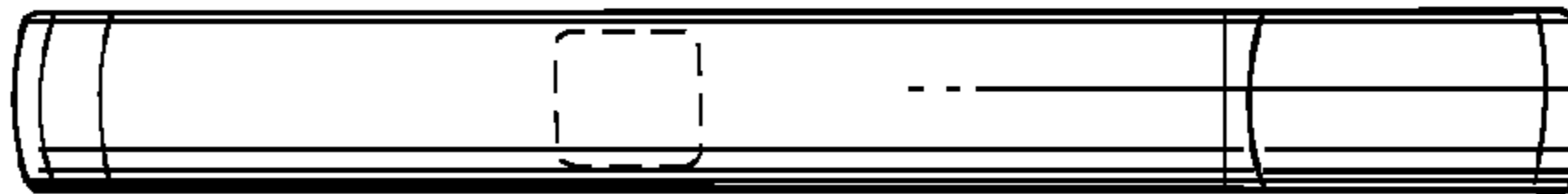


FIG. 4



FIG. 5

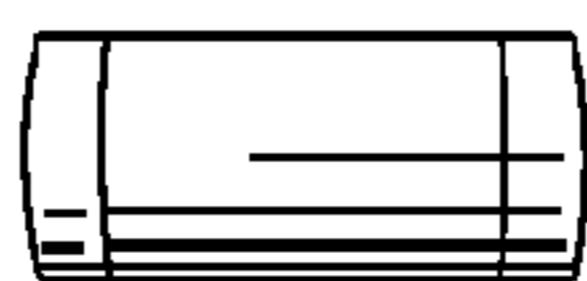


FIG. 6

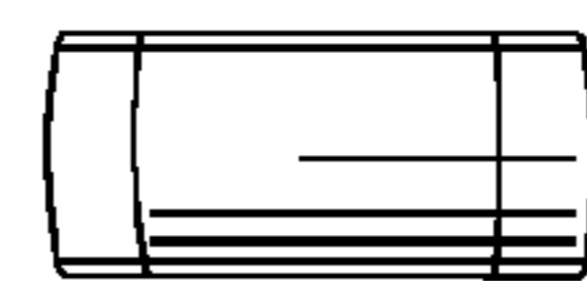


FIG. 7

