



US00D583813S

(12) **United States Design Patent**
Maiers et al.

(10) **Patent No.:** **US D583,813 S**
(45) **Date of Patent:** **** Dec. 30, 2008**

(54) **EXTERNAL HARD DRIVE HOUSING**

(75) Inventors: **Michael A. Maiers**, Campbell, CA (US);
Jeffrey Schmid, Lafayette, CO (US);
Howard Nuk, San Jose, CA (US)

(73) Assignee: **Seagate Technology**, Scotts Valley, CA (US)

(**) Term: **14 Years**

(21) Appl. No.: **29/281,894**

(22) Filed: **Jul. 5, 2007**

Related U.S. Application Data

(63) Continuation-in-part of application No. 29/275,805, filed on Jan. 7, 2007.

(51) **LOC (8) Cl.** **14-02**

(52) **U.S. Cl.** **D14/356**

(58) **Field of Classification Search** D14/351–370,
D14/301, 313, 348–349, 432, 435–436, 496,
D14/137, 155, 167–168, 240, 242, 299; D13/149,
D13/184; D3/201, 273; 711/100, 115; 361/685;
369/272.1; 360/132–133, 135
See application file for complete search history.

(56) **References Cited**

U.S. PATENT DOCUMENTS

D74,364 S *	2/1928	Fuller	D14/214
D190,202 S *	4/1961	Hirsch	D14/168
D305,717 S *	1/1990	Soren et al.	D14/240
D321,515 S *	11/1991	Harris	D14/168
D326,097 S *	5/1992	Ferrario	D14/230
D334,937 S *	4/1993	Kerr et al.	D14/240
D339,577 S *	9/1993	Velinsky	D14/435
D340,930 S *	11/1993	Christie	D14/214
D357,682 S *	4/1995	Edgell	D14/214
D360,405 S *	7/1995	Hill et al.	D14/351
D431,230 S *	9/2000	Began	D13/184
D440,220 S *	4/2001	Dunk et al.	D14/214
D441,374 S *	5/2001	Genatossio	D14/496
D442,163 S *	5/2001	Dunk et al.	D14/214

D442,164 S *	5/2001	Dunk et al.	D14/214
D491,166 S *	6/2004	Hakoda	D14/214
D504,442 S *	4/2005	Kim	D14/496
D514,590 S *	2/2006	Naruki	D14/496
D515,067 S *	2/2006	Yoshitake et al.	D14/168
D541,272 S *	4/2007	Wang	D14/356
D550,217 S *	9/2007	Schneider	D14/230
D552,549 S *	10/2007	Hsu	D13/133
D553,642 S *	10/2007	Bourelly et al.	D14/496

OTHER PUBLICATIONS

Seagate Technology—FreeAgent™ Desktop [online], [retrieved on Jun. 23, 2008]. Retrieved from the Internet <URL: http://www.seagate.com/www/en-us/products/external/freeagent_desktop_data_movers>.*

Seagate Technology—External Storage Solutions [online], [retrieved on Jun. 23, 2008]. Retrieved from the Internet <URL: <http://www.seagate.com/www/en-us/products/external/>>.*

Seagate Technology—Portable Storage Solutions [online], [retrieved on Jun. 23, 2008]. Retrieved from the Internet <URL: <http://www.seagate.com/www/en-us/products/portable/>>.*

* cited by examiner

Primary Examiner—Robin V. Webster
Assistant Examiner—Karen E Kearney

(74) *Attorney, Agent, or Firm*—Banner & Witcoff, Ltd.

(57) **CLAIM**

The ornamental design for an external hard drive housing, as shown and described.

DESCRIPTION

FIG. 1 is a perspective view of an external hard drive housing showing our new design;

FIG. 2 is a front elevational view thereof;

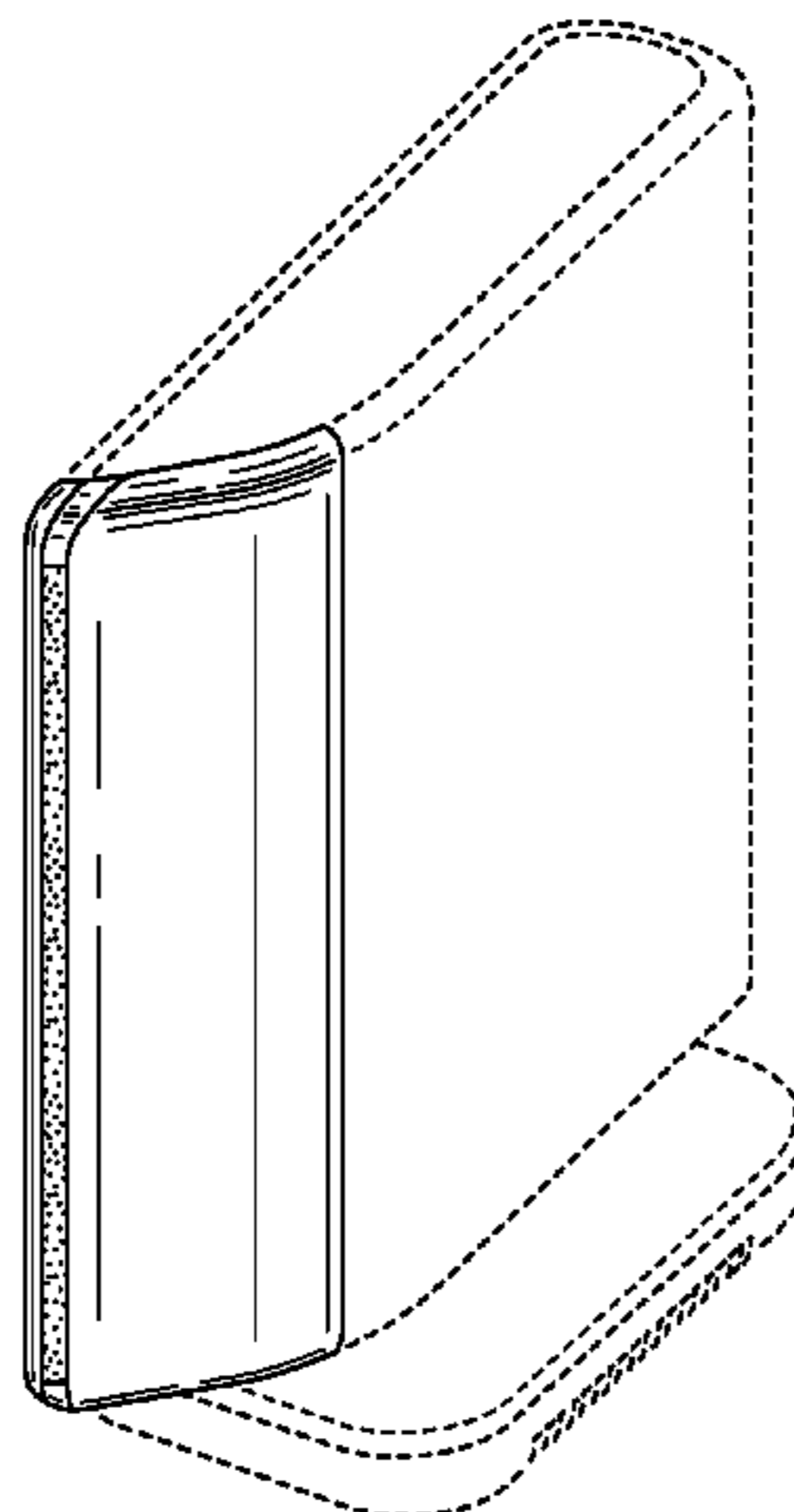
FIG. 3 is a rear elevational view thereof;

FIG. 4 is a left side elevational view thereof; and,

FIG. 5 is top plan view thereof.

The broken lines showing of the remainder of the external hard drive housing are for the purpose of illustrating unclaimed portions and form no part of the claimed design.

1 Claim, 4 Drawing Sheets



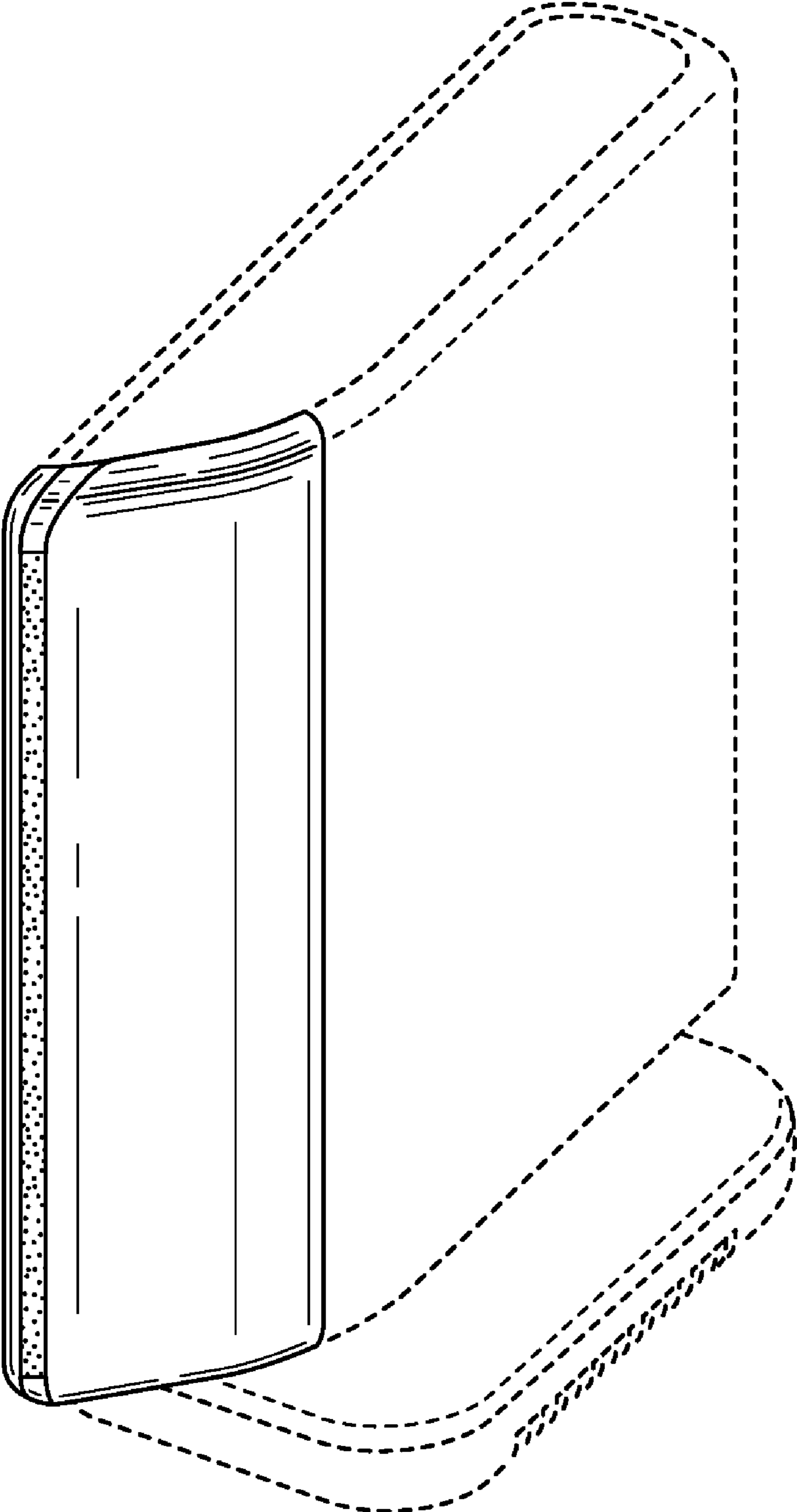


FIG. 1

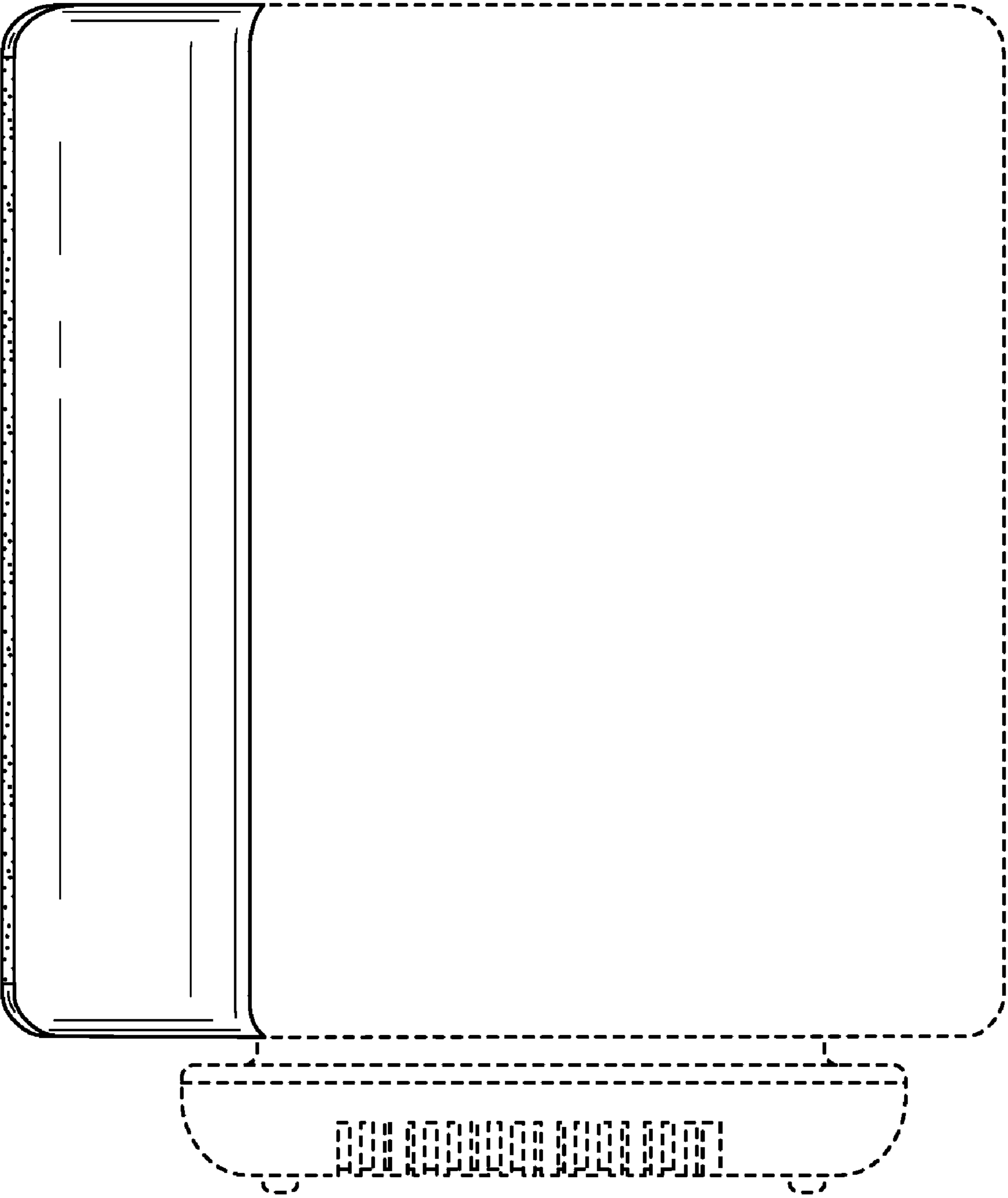


FIG. 2

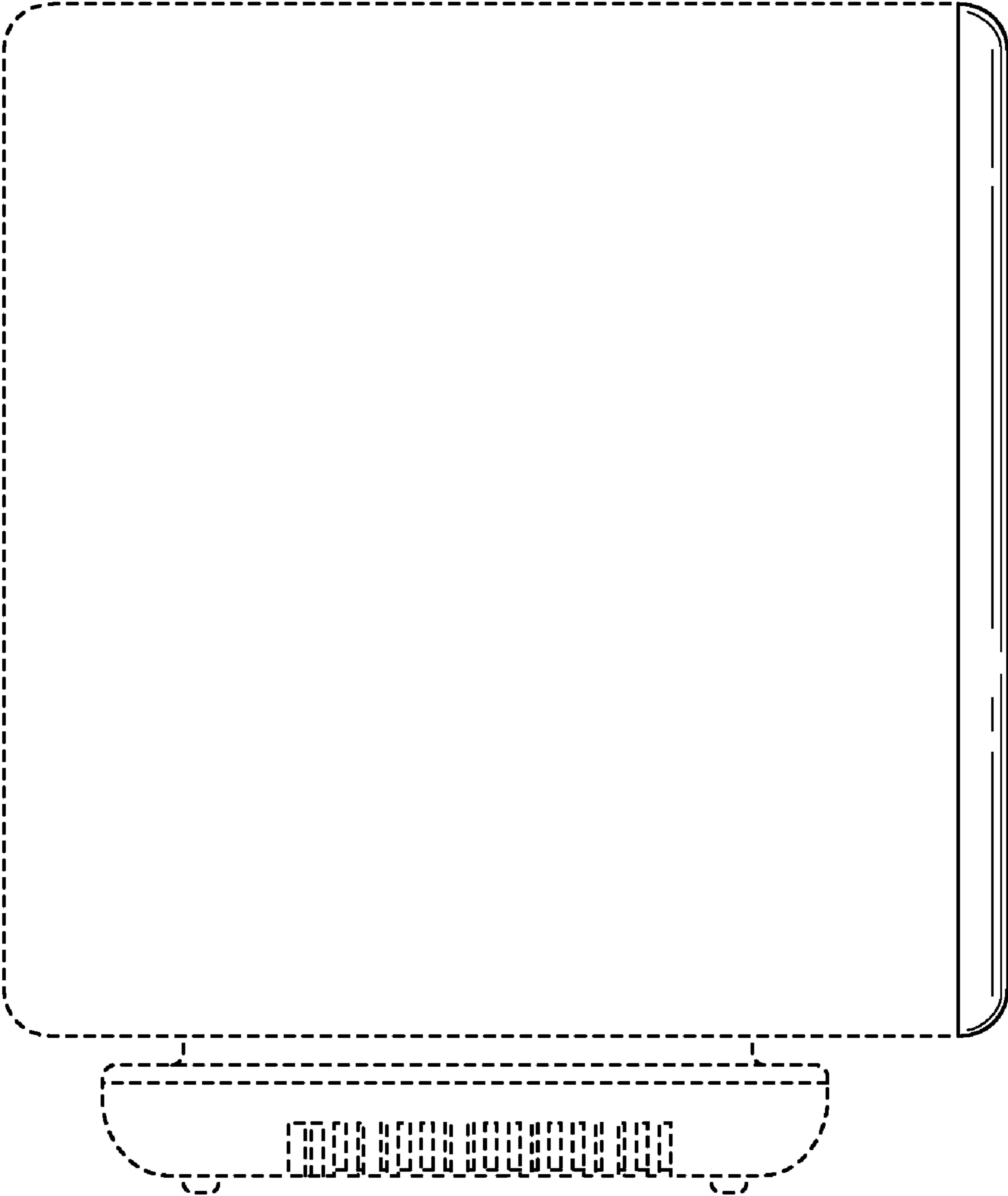


FIG. 3

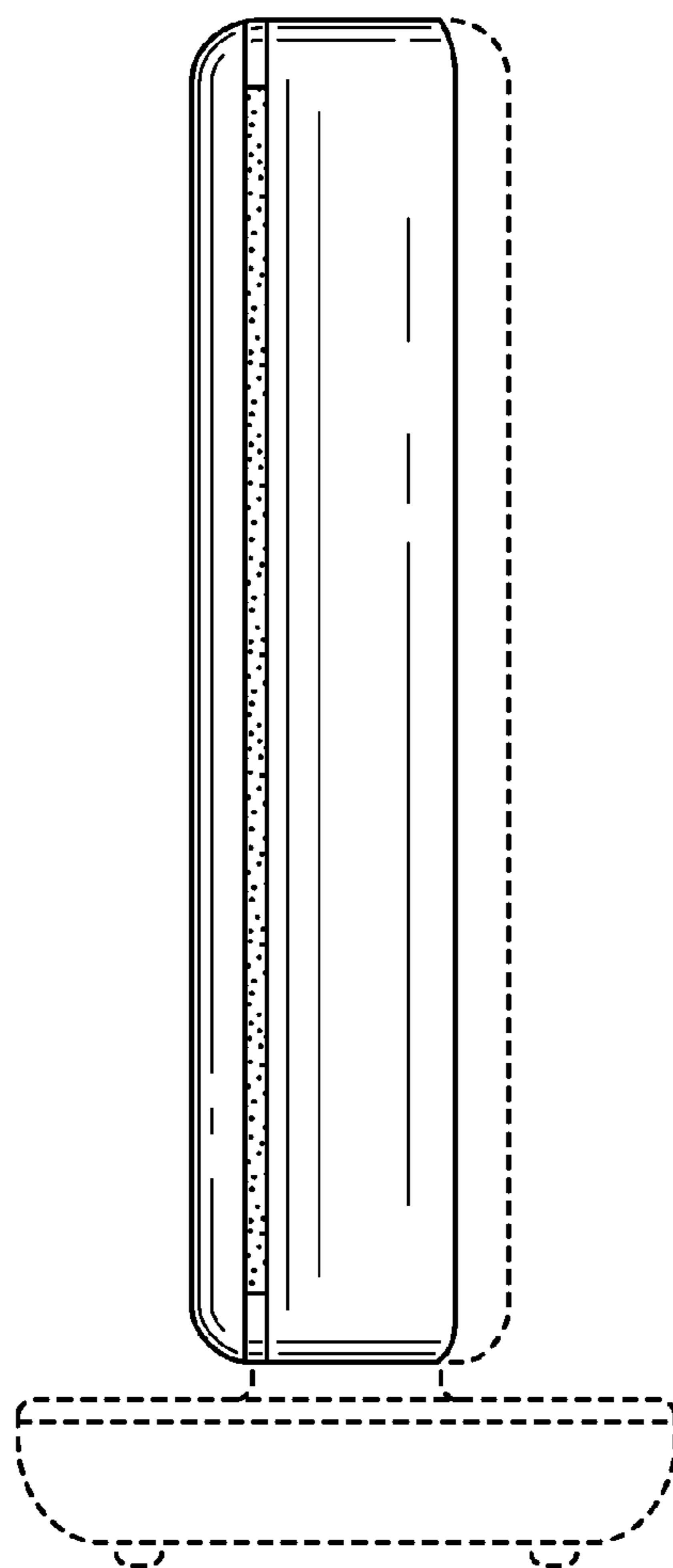


FIG. 4

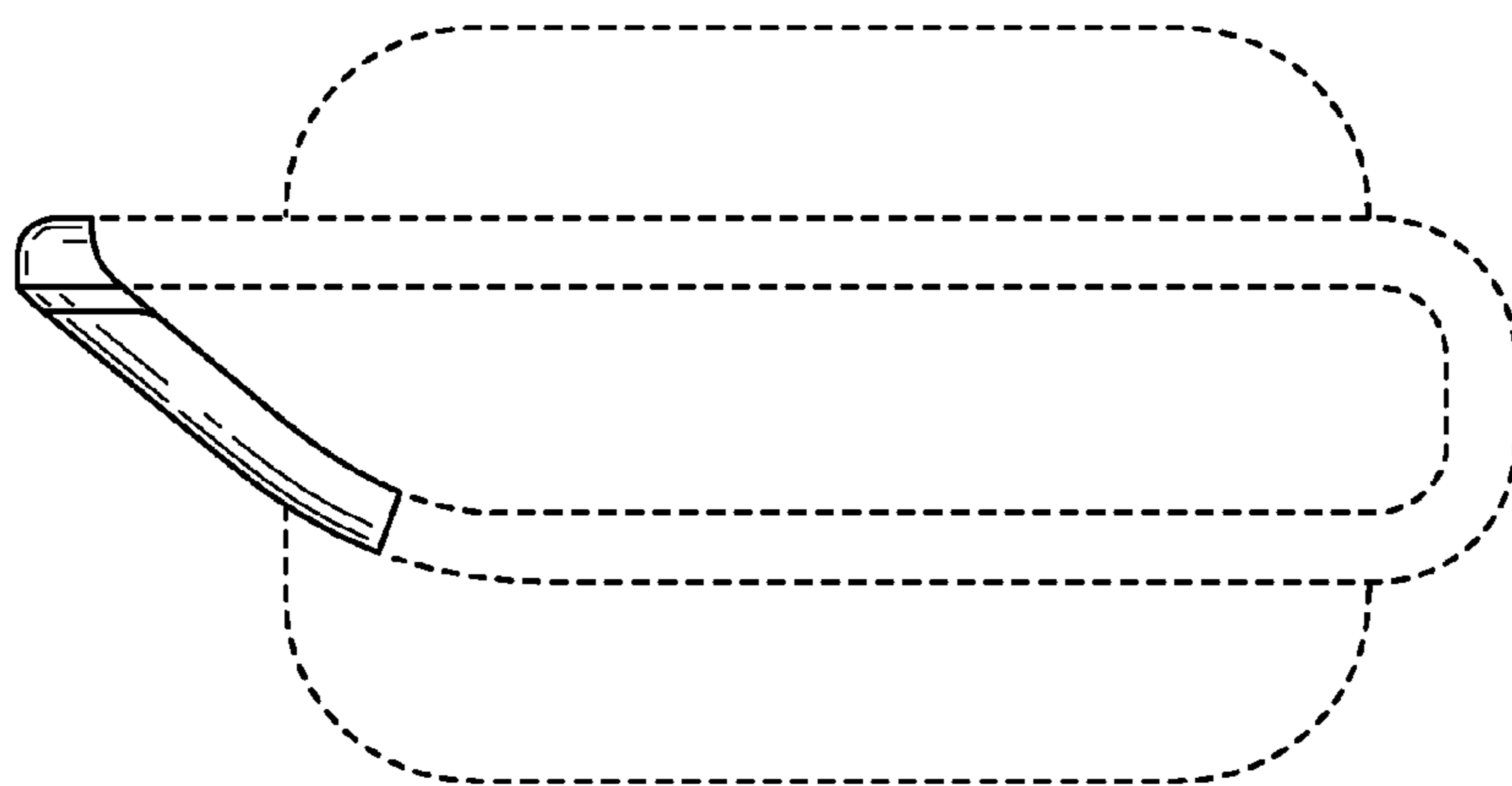


FIG. 5