



US00D583810S

(12) **United States Design Patent**  
**Chen**

(10) **Patent No.:** **US D583,810 S**

(45) **Date of Patent:** **\*\* Dec. 30, 2008**

(54) **PORTABLE ELECTRONIC DEVICE**

(75) Inventor: **Ping-Chou Chen**, Tainan Hsien (TW)

(73) Assignee: **Chi Mei Communication Systems, Inc.**, Tu-Cheng, Taipei County (TW)

(\*\*) Term: **14 Years**

(21) Appl. No.: **29/295,399**

(22) Filed: **Sep. 28, 2007**

(30) **Foreign Application Priority Data**

Aug. 2, 2007 (CN) ..... 2007 3 0200848

(51) **LOC (8) Cl.** ..... **14-02**

(52) **U.S. Cl.** ..... **D14/345**; D14/315; D14/341

(58) **Field of Classification Search** ..... D14/315-323,  
D14/341-346, 396; D18/1, 2, 7, 11; 235/145 A,  
235/145 R; 382/187; 345/156, 168, 169,  
345/172, 173; 361/680-686; D19/26, 59,  
D19/60; 178/18.03; 455/566, 575, 575.1,  
455/575.4

See application file for complete search history.

(56) **References Cited**

**U.S. PATENT DOCUMENTS**

D315,549 S \* 3/1991 Clough et al. .... D14/341  
5,644,338 A \* 7/1997 Bowen ..... 345/168  
5,825,617 A \* 10/1998 Kochis et al. .... 361/686  
5,991,644 A \* 11/1999 Ogawa ..... 455/566

6,295,372 B1 \* 9/2001 Hawkins et al. .... 382/187  
6,748,242 B1 \* 6/2004 Dunleavy ..... 455/566  
6,757,156 B2 \* 6/2004 Adams et al. .... 361/681  
D530,716 S \* 10/2006 Kimura et al. .... D14/396  
7,200,429 B2 \* 4/2007 Park et al. .... 455/575.4  
2002/0006815 A1 \* 1/2002 Finke-Anlauff ..... 455/575  
2005/0020323 A1 \* 1/2005 Kim ..... 455/575.1  
2006/0002072 A1 \* 1/2006 Sutton et al. .... 361/683

\* cited by examiner

*Primary Examiner*—Freda S Nunn

(74) *Attorney, Agent, or Firm*—Frank R. Niranjana

(57) **CLAIM**

The ornamental design for portable electronic device, as shown and described.

**DESCRIPTION**

FIG. 1 is a perspective view of a portable electronic device showing my new design;

FIG. 2 is a front elevational view thereof;

FIG. 3 is a rear elevational view thereof;

FIG. 4 is a left side elevational view thereof;

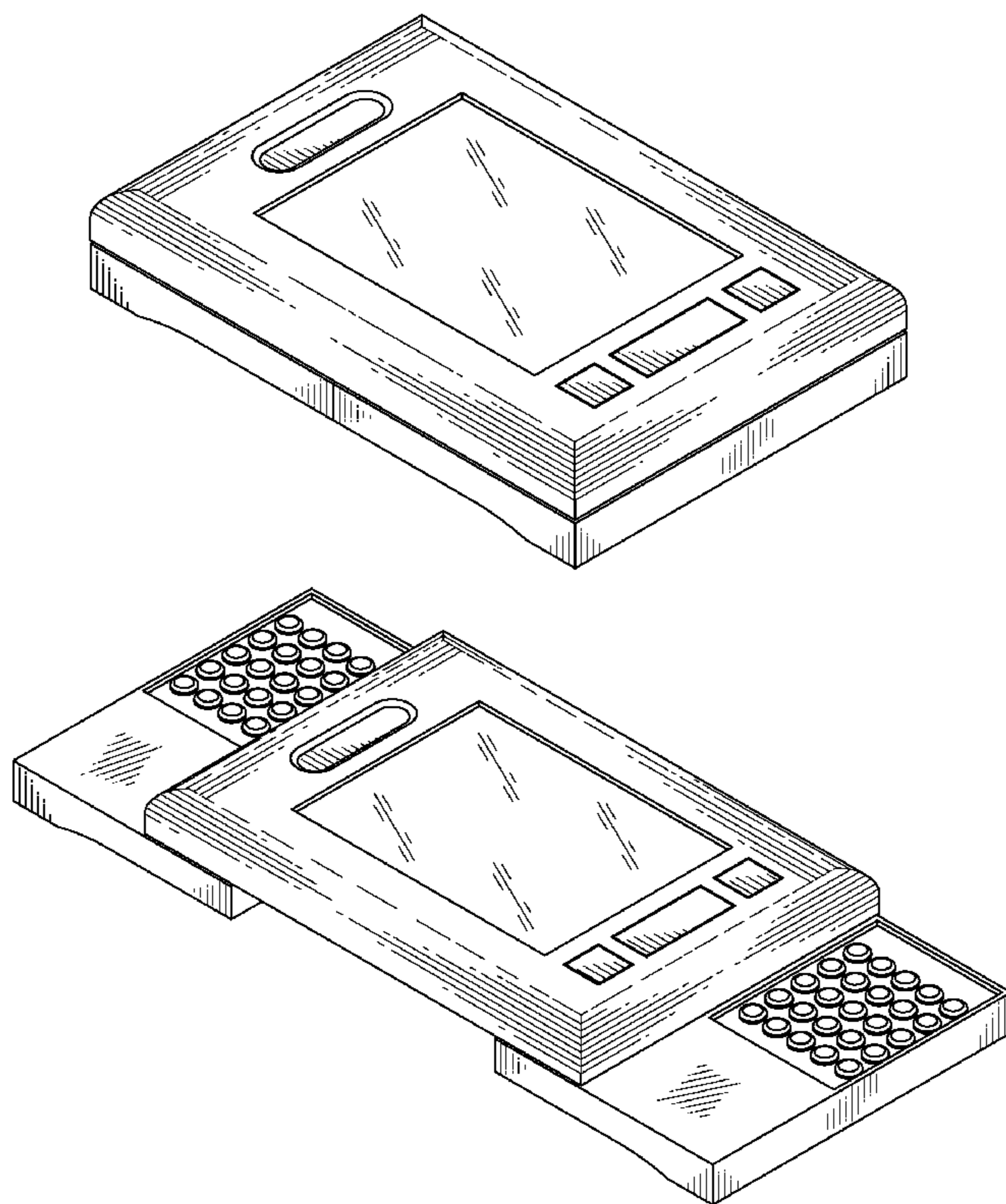
FIG. 5 is a right side elevational view thereof;

FIG. 6 is a top plan view thereof;

FIG. 7 is a bottom plan view thereof; and,

FIG. 8 is an alternate perspective view thereof shown in use.

**1 Claim, 8 Drawing Sheets**



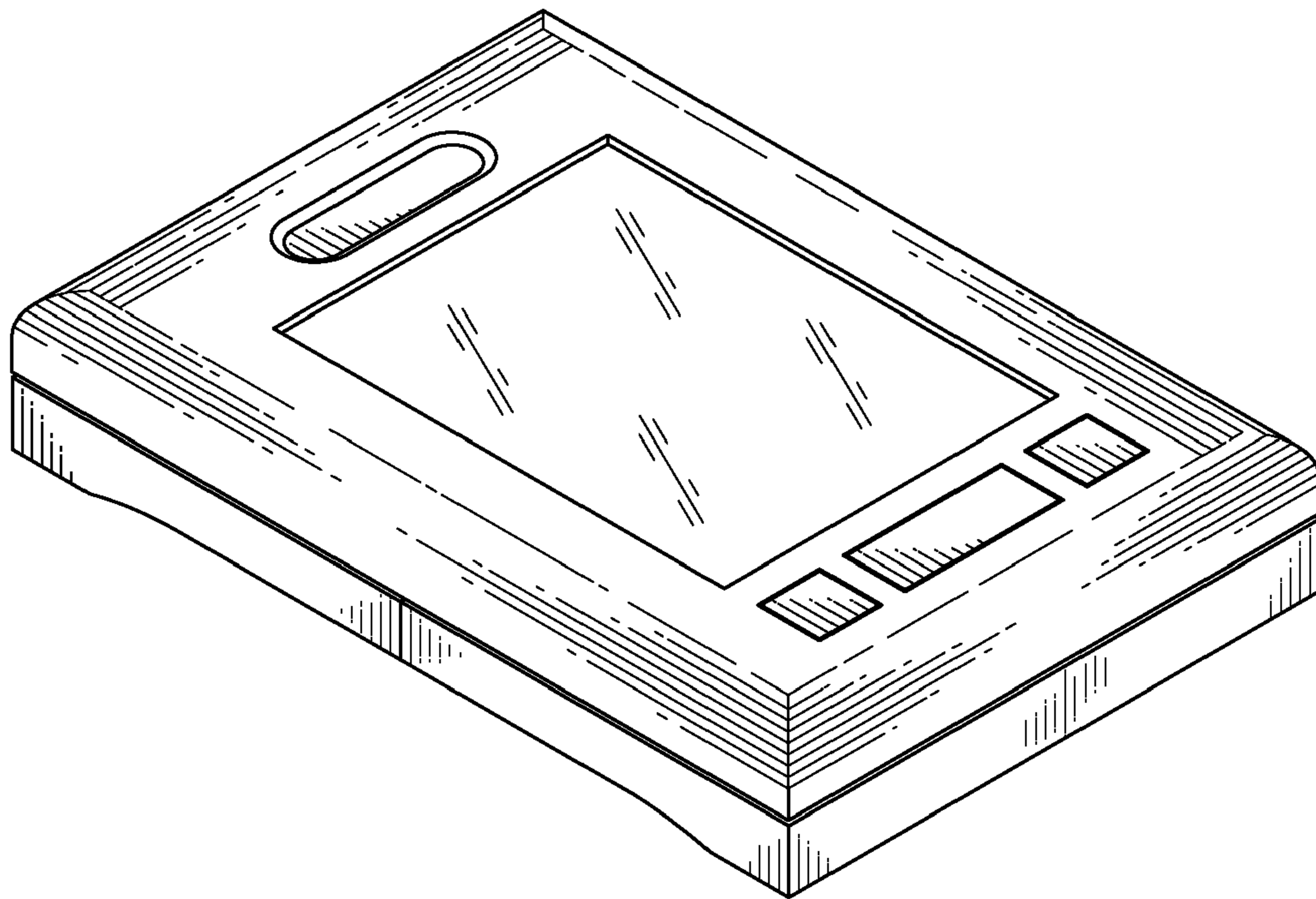


FIG. 1

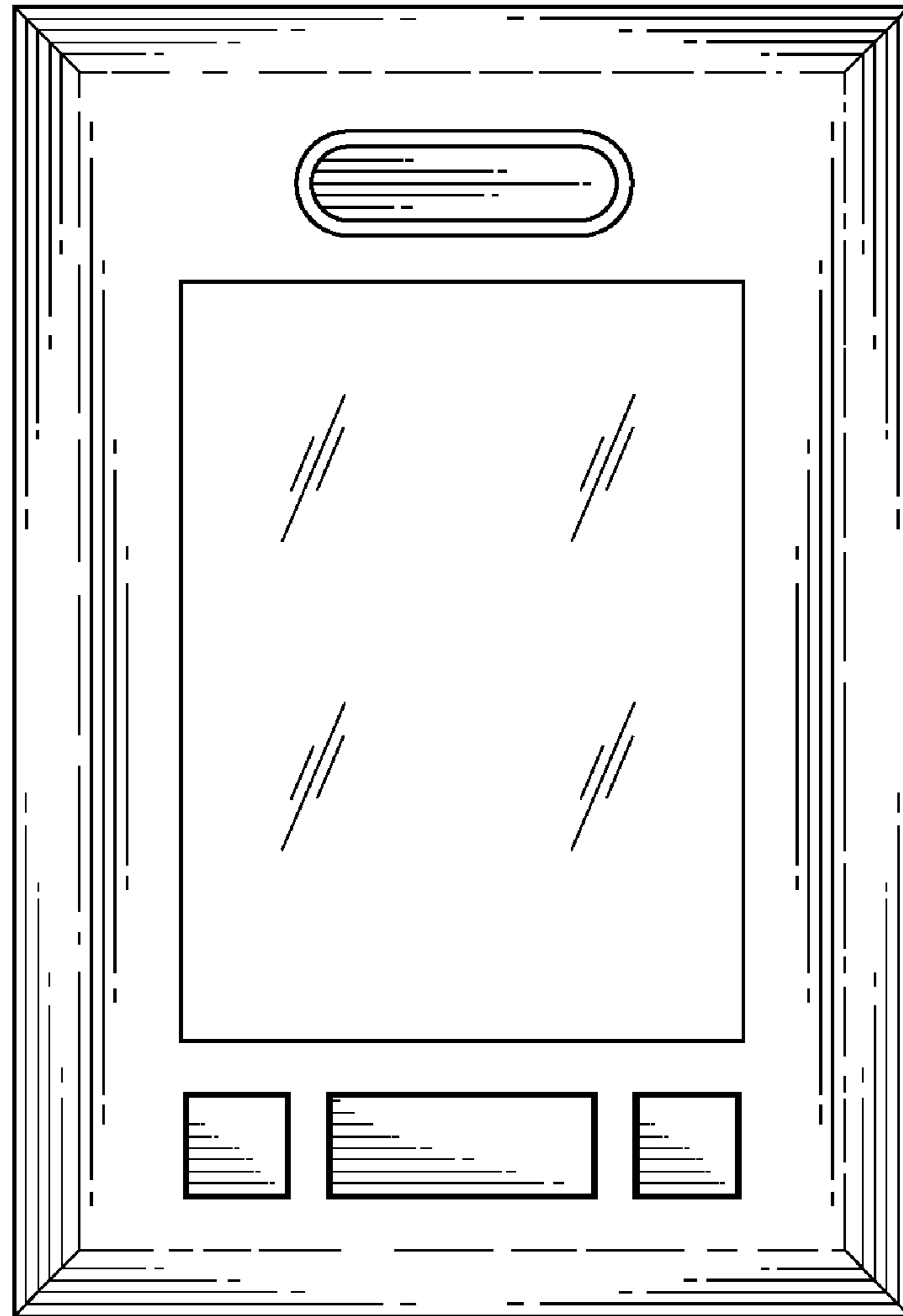


FIG. 2

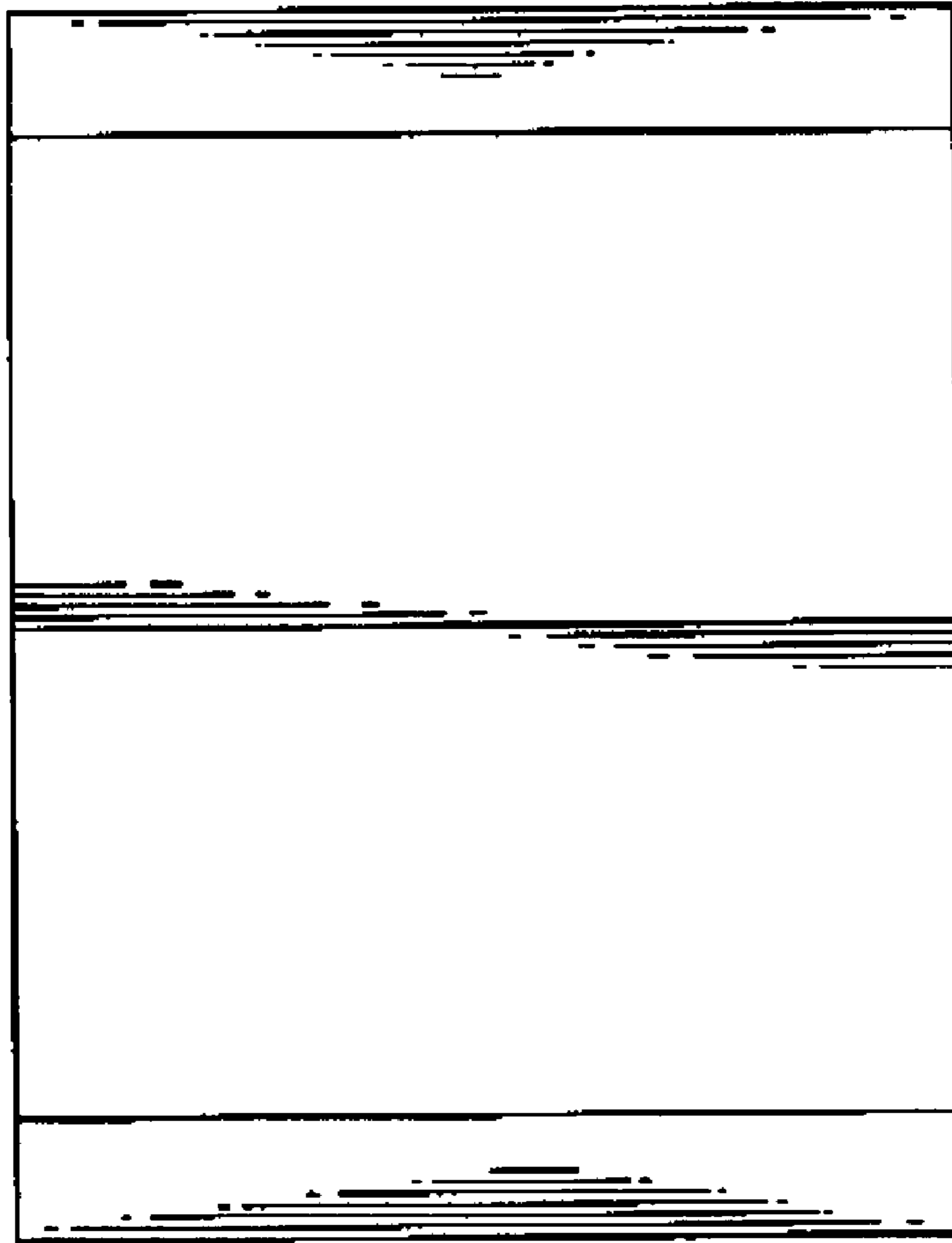


FIG. 3

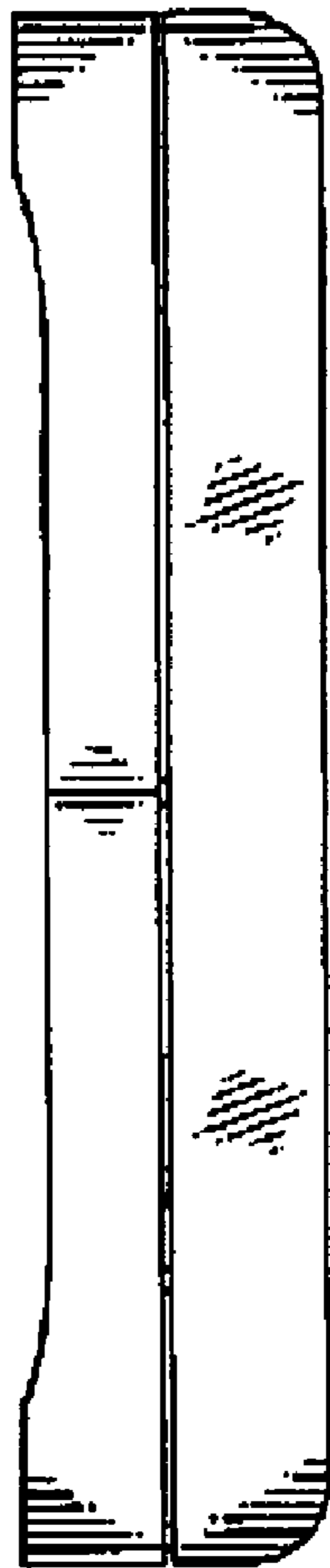


FIG. 4

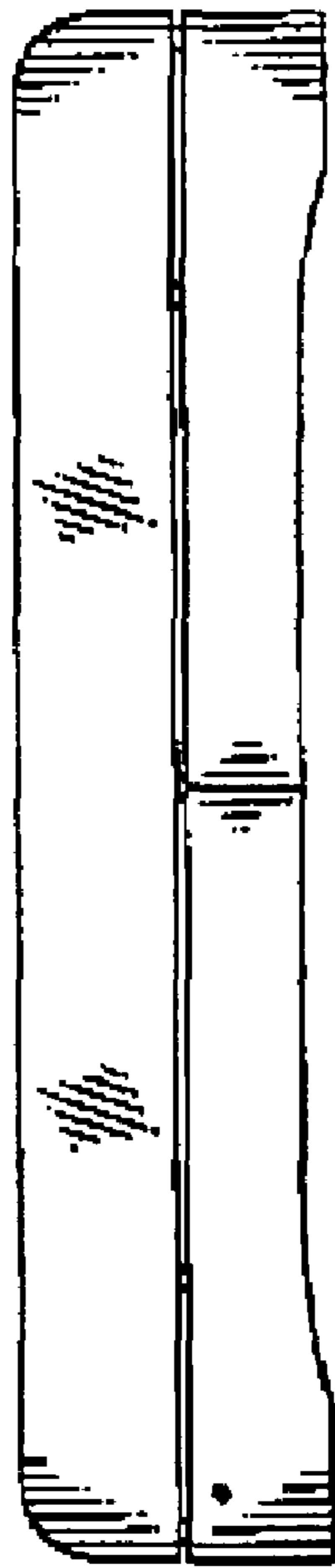


FIG. 5

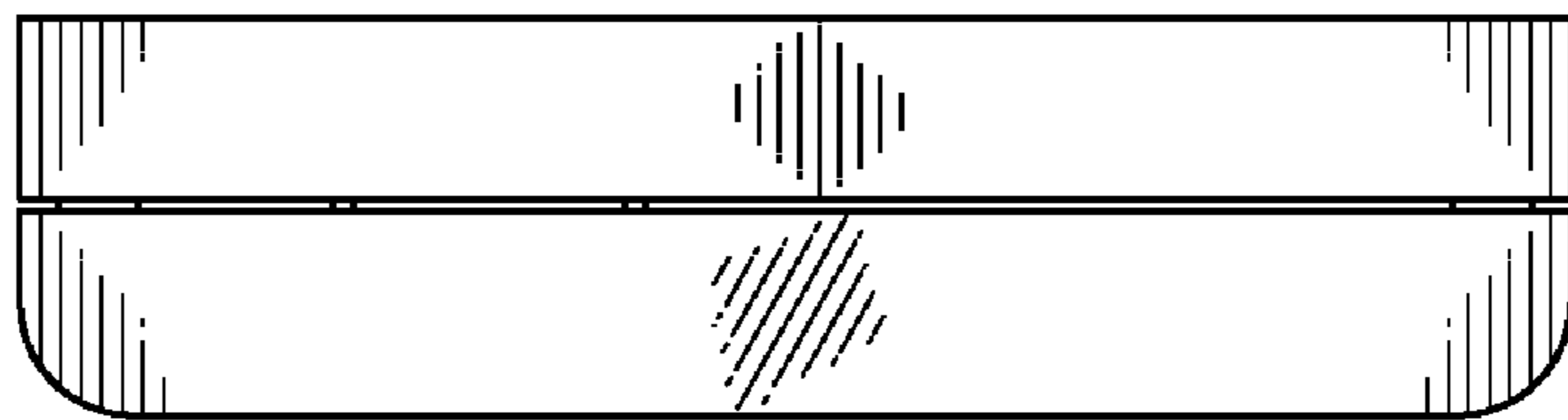


FIG. 6

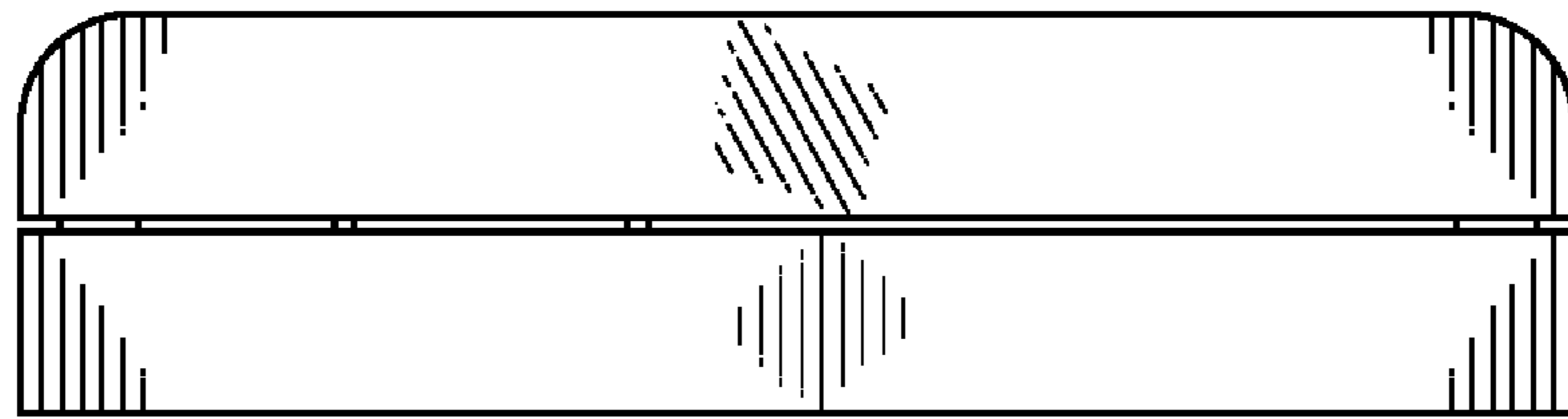


FIG. 7



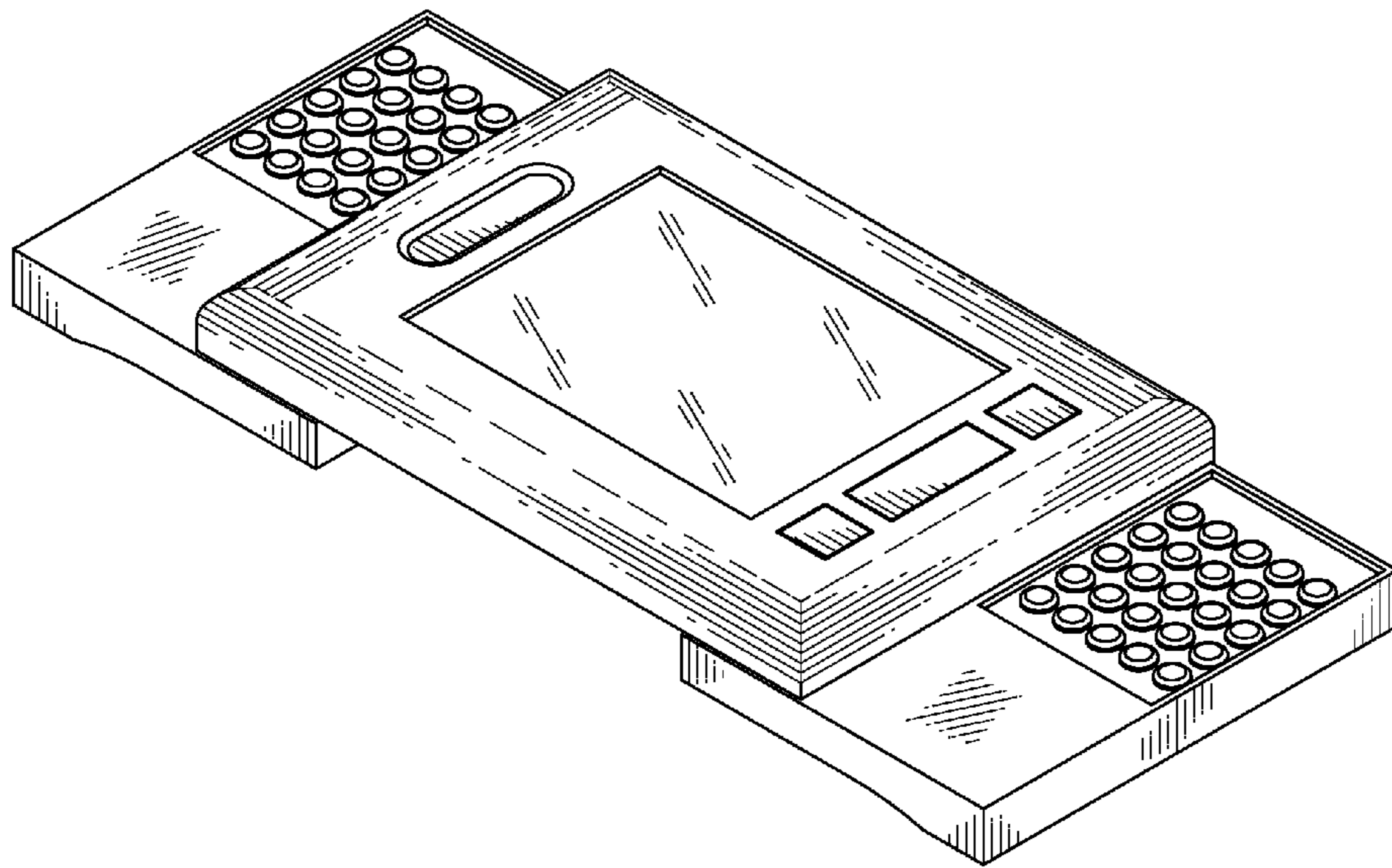


FIG. 8