



US00D583806S

(12) **United States Design Patent**
Okazaki et al.

(10) **Patent No.:** **US D583,806 S**

(45) **Date of Patent:** **** Dec. 30, 2008**

(54) **MICROPHONE**

(75) Inventors: **Narutoshi Okazaki**, Nishinomiya (JP);
Shuichi Okamura, Kobe (JP)

(73) Assignee: **Toa Corporation**, Kobe-Shi (JP)

(**) Term: **14 Years**

(21) Appl. No.: **29/305,717**

(22) Filed: **Mar. 26, 2008**

(30) **Foreign Application Priority Data**

Sep. 28, 2007 (JP) 2007-026593

(51) **LOC (8) Cl.** **14-01**

(52) **U.S. Cl.** **D14/225**

(58) **Field of Classification Search** D14/225,
D14/226, 227, 228, 229, 172, 192, 214, 163,
D14/165; 381/161, 382; 379/430, 431, 432;
181/135, 158, 242; 455/344, 347, 351, 170.1
See application file for complete search history.

(56) **References Cited**

U.S. PATENT DOCUMENTS

2,508,918 A * 5/1950 Hines, Jr. 455/351
2,521,423 A * 9/1950 Stuck 455/170.1
3,851,123 A * 11/1974 Lipinski et al. 455/351
D241,854 S * 10/1976 Noyes D14/225
D260,882 S * 9/1981 McCain D14/225
D276,158 S * 10/1984 Lee et al. D14/192
4,972,508 A * 11/1990 King 455/351
D412,705 S * 8/1999 Laiacona et al. D14/172

D418,510 S * 1/2000 Zeitman D14/192
D516,546 S * 3/2006 Sobol D14/228
D529,902 S * 10/2006 Tan et al. D14/225
D539,272 S * 3/2007 Kaner et al. D14/225
D570,821 S * 6/2008 Probst et al. D14/188

* cited by examiner

Primary Examiner—Paula Greene

(74) *Attorney, Agent, or Firm*—Workman Nydegger

(57) **CLAIM**

The ornamental design for a microphone, as shown and described.

DESCRIPTION

FIG. 1 is a front perspective view of a microphone showing our new design;

FIG. 2 is a rear perspective view thereof;

FIG. 3 is a front view thereof;

FIG. 4 is a rear view thereof;

FIG. 5 is a top plan view thereof;

FIG. 6 is a bottom plan view thereof, the undisclosed portion is not part of the claimed design;

FIG. 7 is a right side view thereof; and,

FIG. 8 is a left side view thereof.

The article to which the design is applied is a microphone which transmits audio signals to an external receiver via infrared communication.

1 Claim, 6 Drawing Sheets

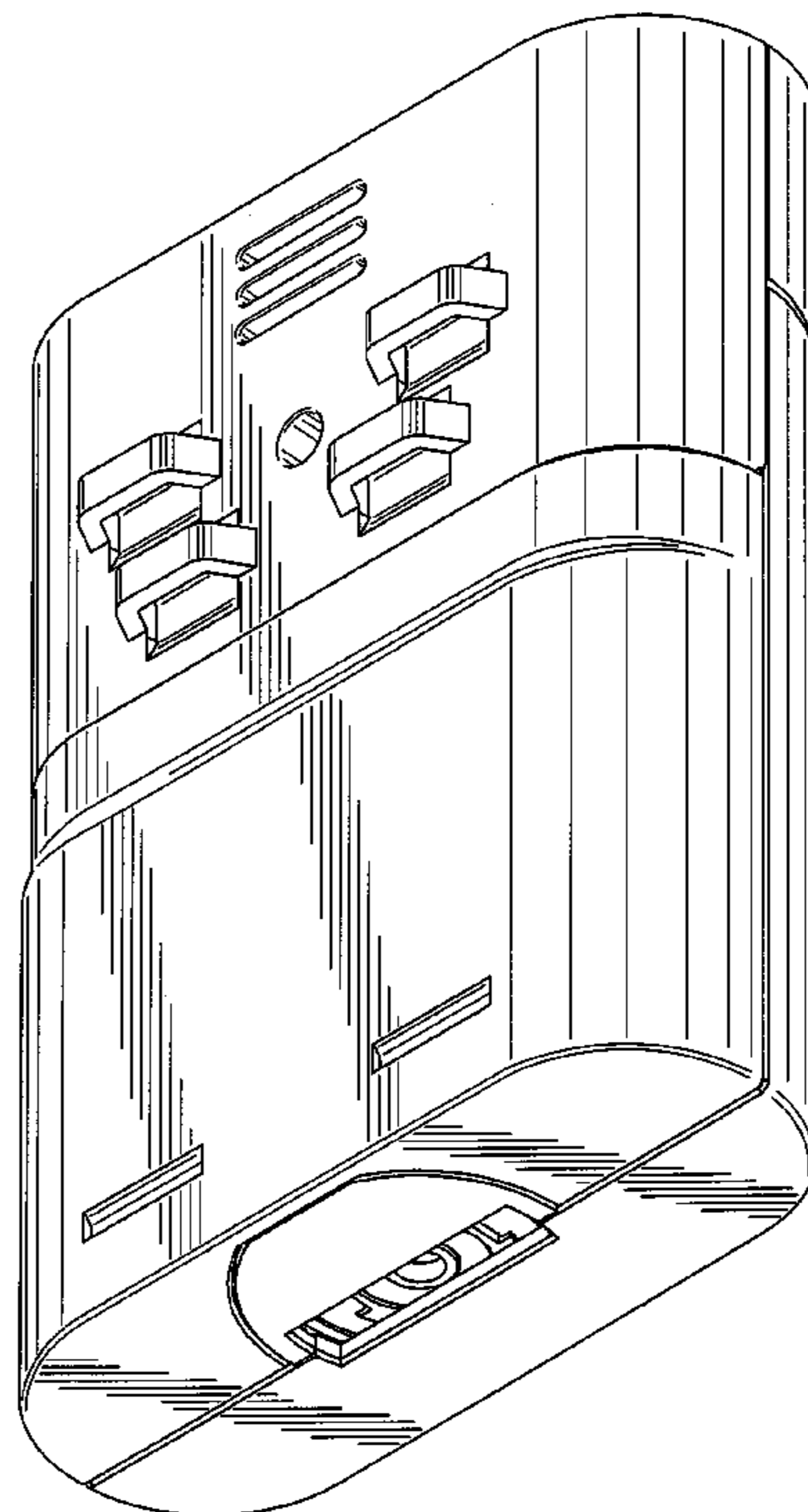
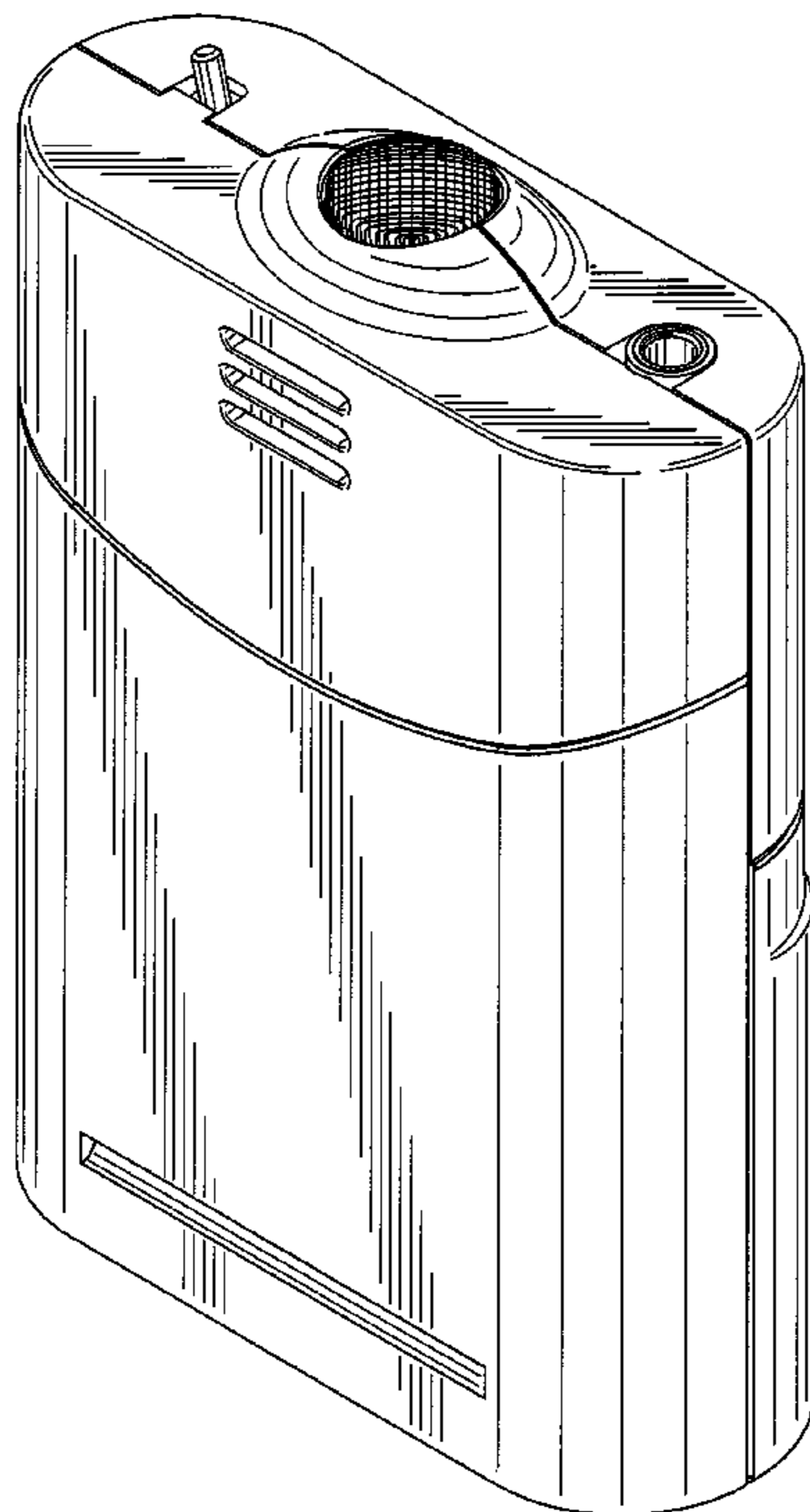


FIG. 1

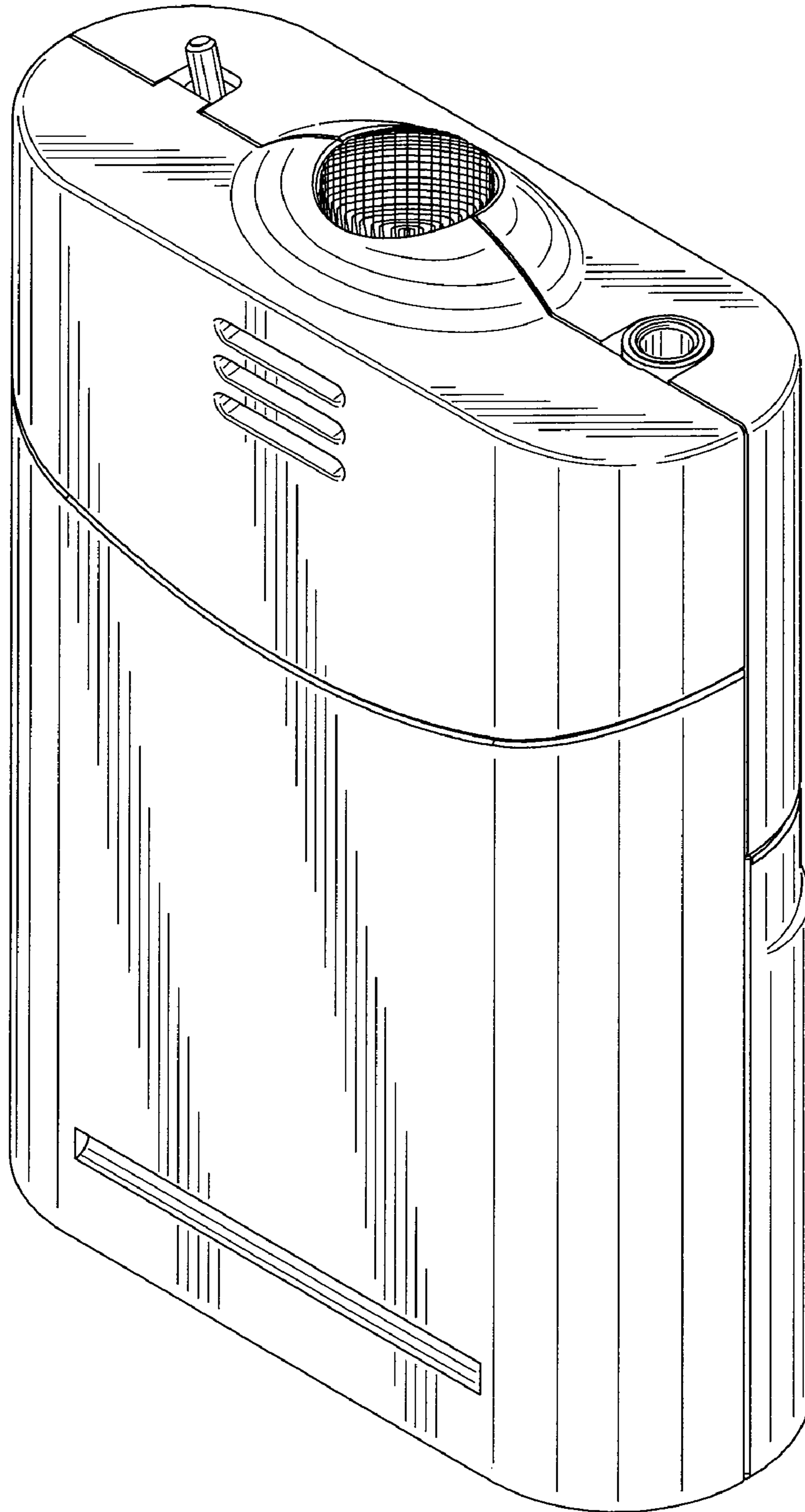


FIG. 2

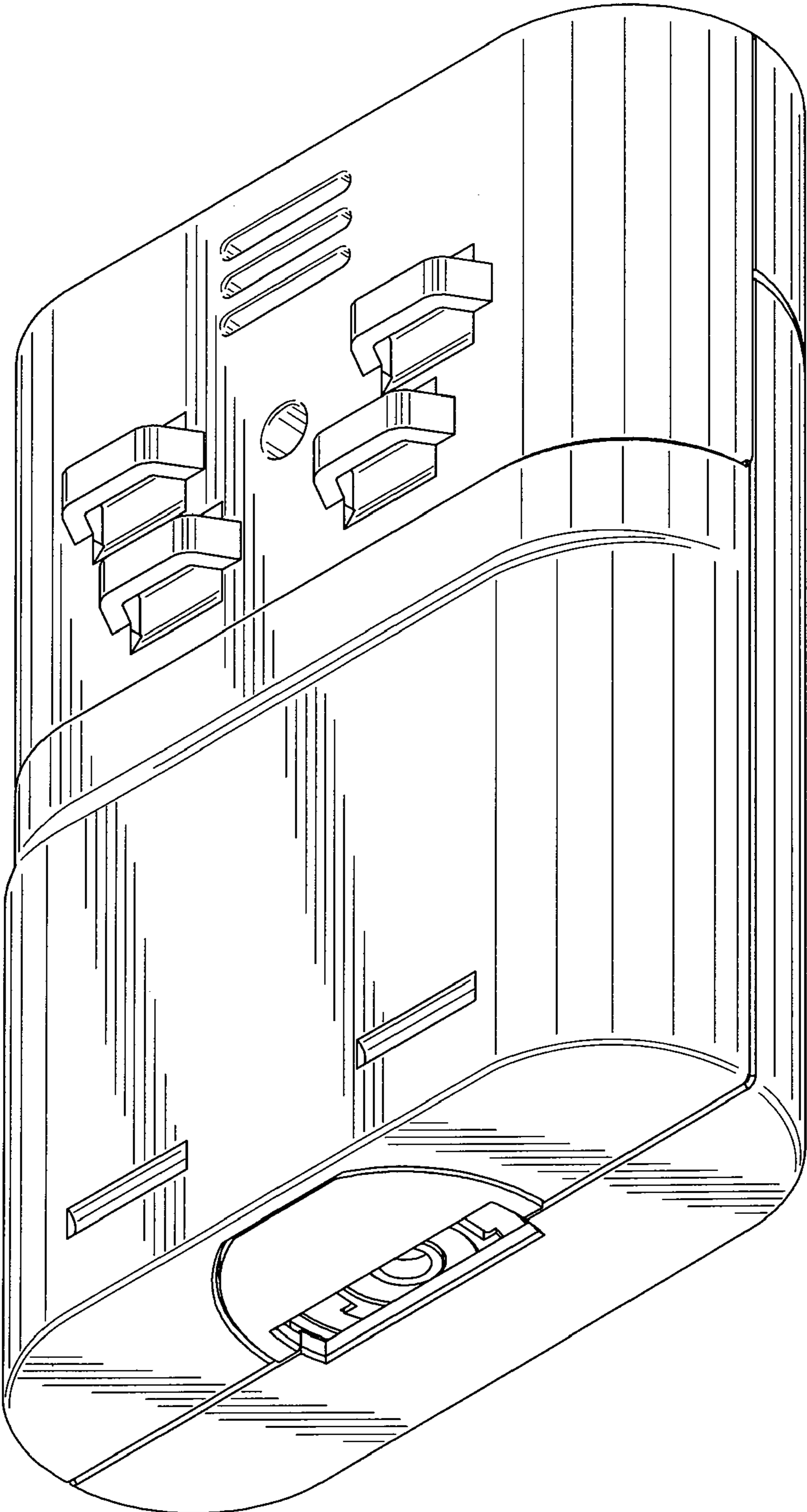


FIG. 3

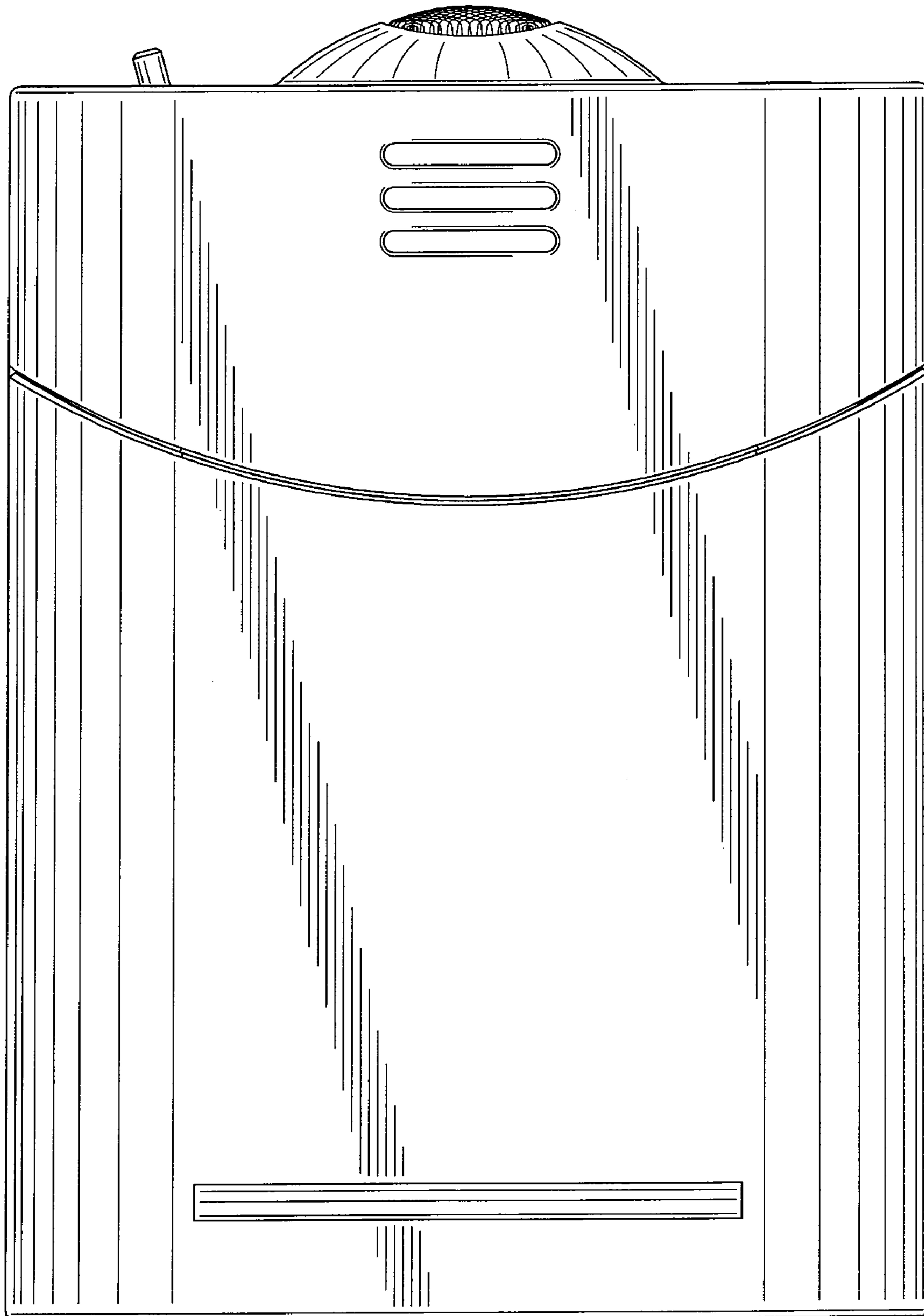


FIG. 4

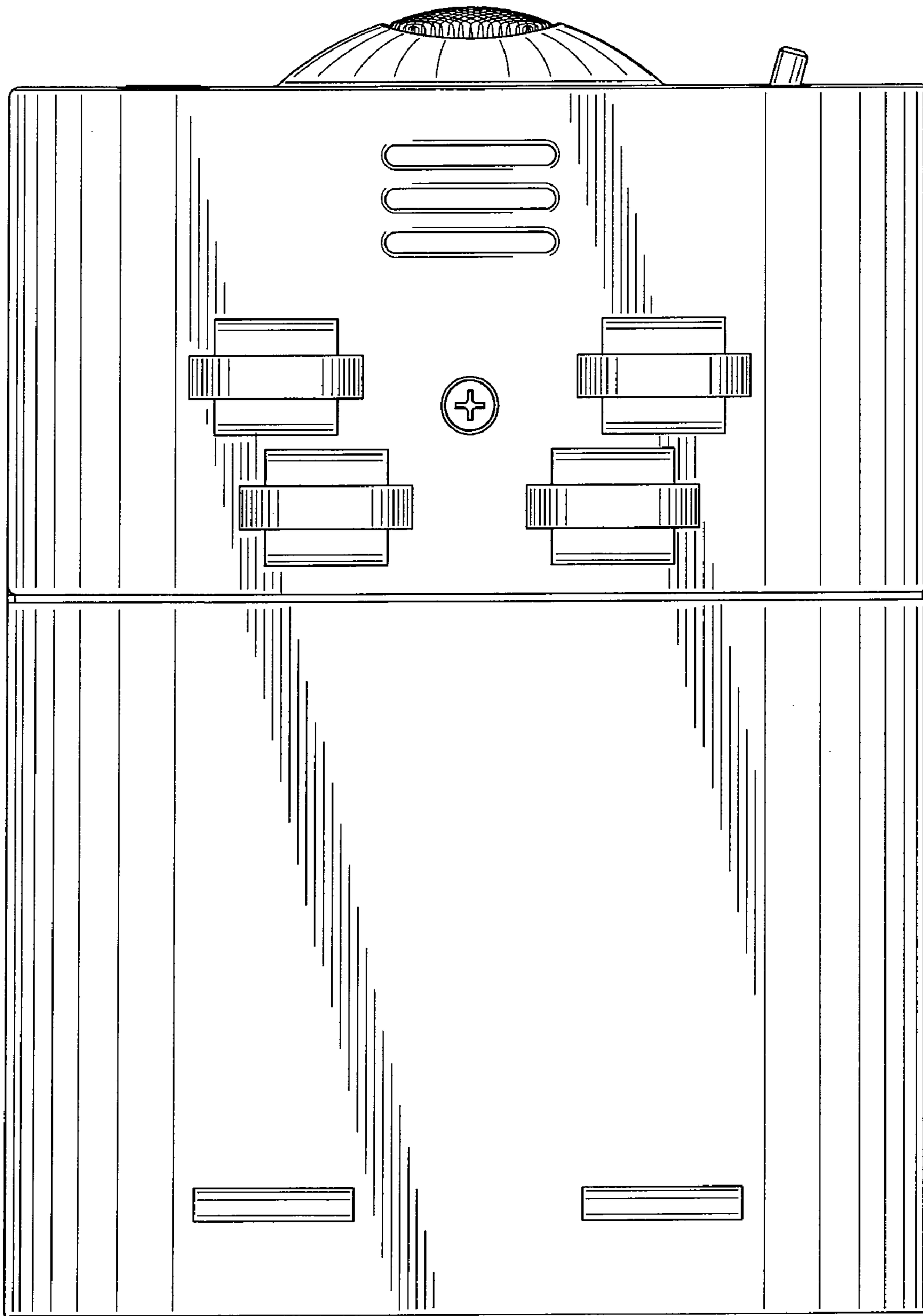


FIG. 5

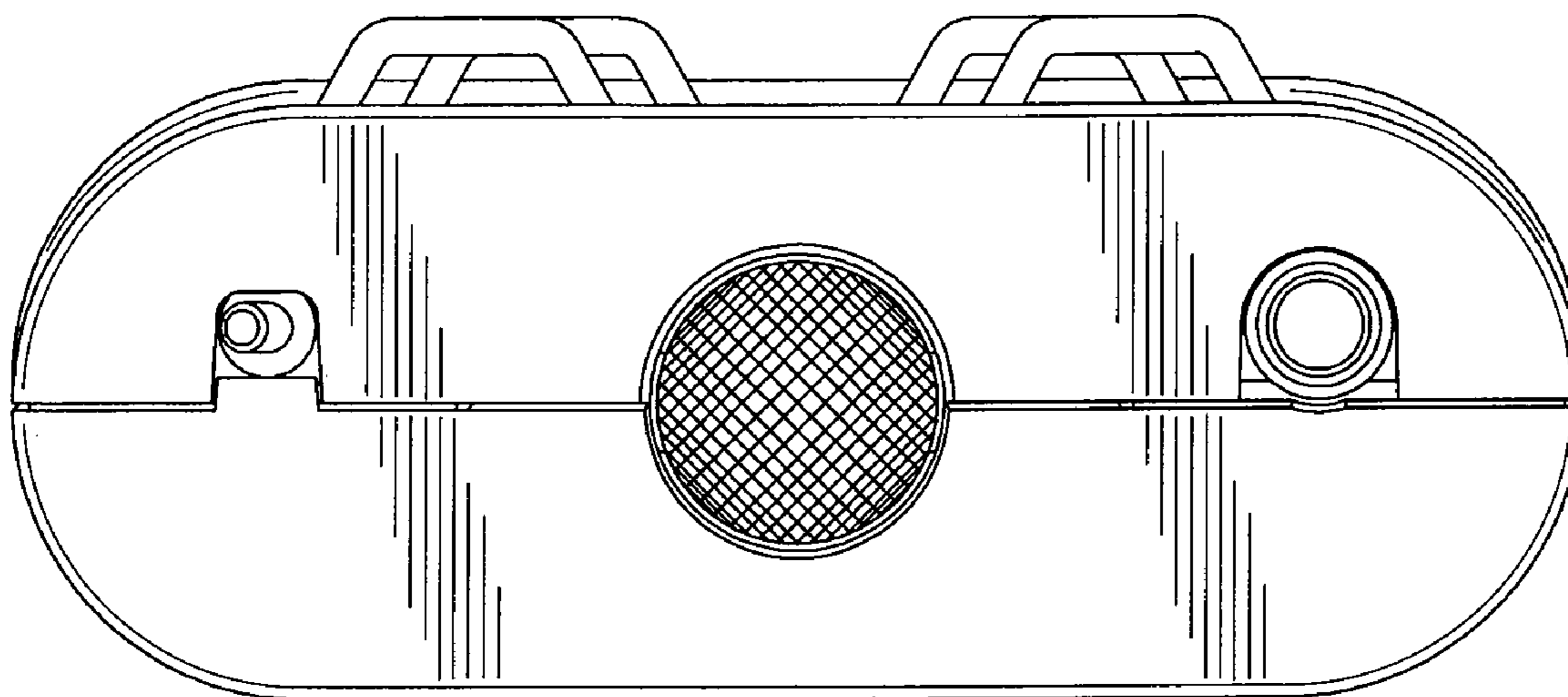


FIG. 6

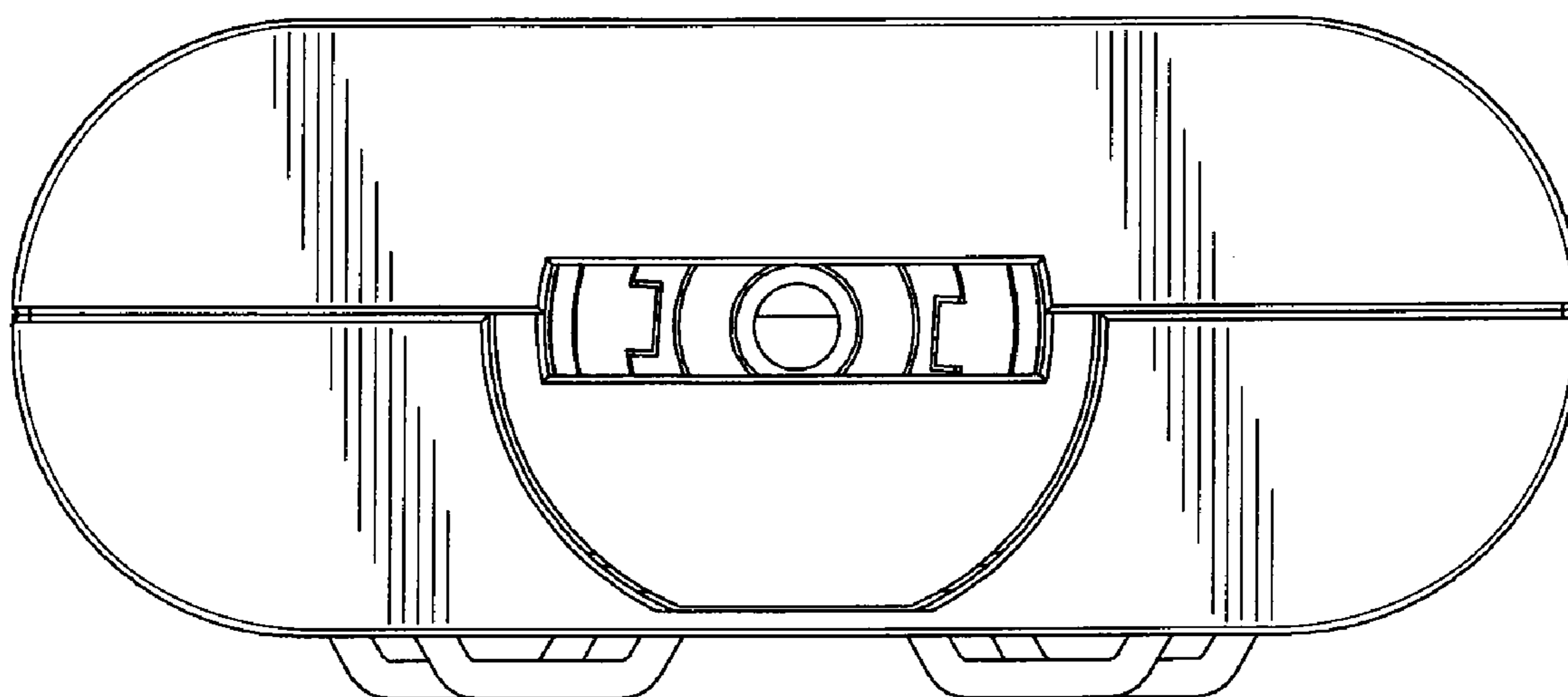


FIG. 7

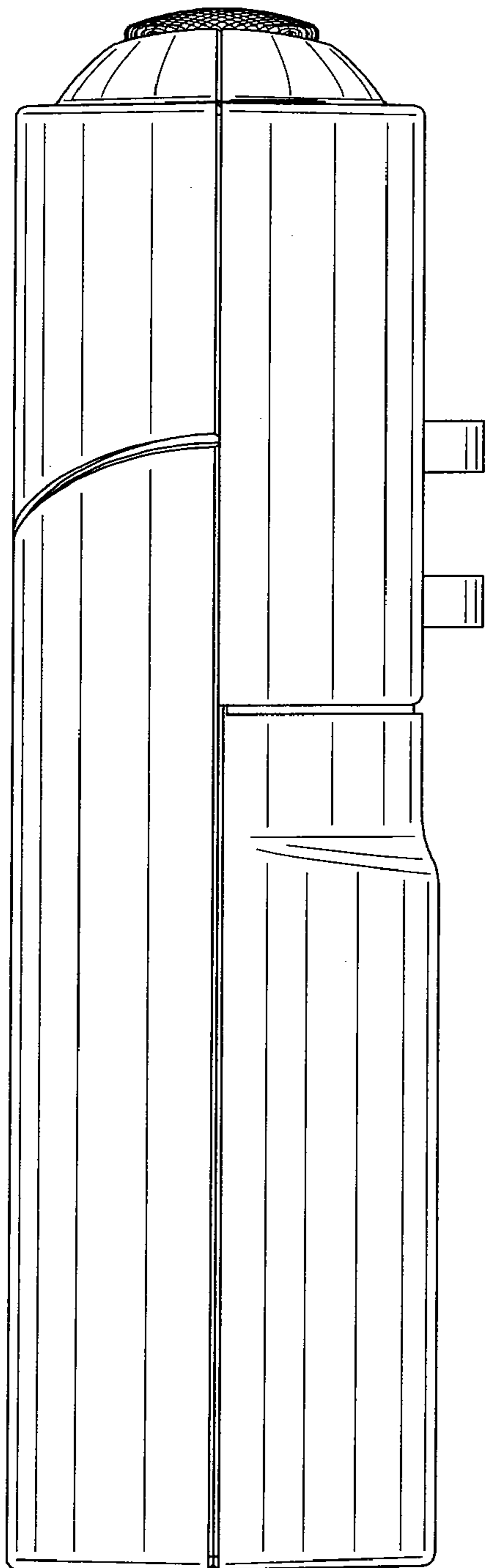


FIG. 8

