



US00D583805S

(12) **United States Design Patent**  
**Jaakkola et al.**

(10) **Patent No.:** **US D583,805 S**  
(45) **Date of Patent:** **\*\* Dec. 30, 2008**

(54) **HEADSET BODY, EARCLIP OF A HEADSET AND COVER FOR A HEADSET**

(75) Inventors: **Mikael Jaakkola**, Turku (FI); **Sami Lehtovaara**, Masku (FI)

(73) Assignee: **Nokia Corporation**, Espoo (FI)

(\*\*) Term: **14 Years**

(21) Appl. No.: **29/283,231**

(22) Filed: **Aug. 8, 2007**

(51) **LOC (8) Cl.** ..... **14-01**

(52) **U.S. Cl.** ..... **D14/223**

(58) **Field of Classification Search** ..... D14/192, D14/205, 206, 223; 181/128, 129–130; 381/370, 381/374, 375, 376, 377, 378, 379, 380, 381, 381/322; D24/174; 379/420.01, 420.02, 379/420.03, 420.04, 430, 446; 455/569.1  
See application file for complete search history.

(56) **References Cited**

**U.S. PATENT DOCUMENTS**

2,474,135	A *	6/1949	White	.....	381/381
D311,521	S *	10/1990	Jonsson et al.	.....	D14/226
6,320,960	B1 *	11/2001	Lathrop et al.	.....	379/430
D461,791	S *	8/2002	Ma	.....	D14/206
D462,944	S *	9/2002	Yuen	.....	D14/206
D463,791	S *	10/2002	Nagai et al.	.....	D14/223
D464,638	S *	10/2002	Huang	.....	D14/205
6,728,388	B1 *	4/2004	Nageno et al.	.....	381/381
6,760,458	B1 *	7/2004	Bogeskov-Jensen et al.	.....	381/370
6,771,790	B2 *	8/2004	Liu	.....	381/385
6,772,853	B2 *	8/2004	Yang	.....	181/129

\* cited by examiner

*Primary Examiner*—Paula Greene

(74) *Attorney, Agent, or Firm*—Banner & Witcoff, Ltd.

(57) **CLAIM**

The ornamental design for a headset body, earclip of a headset and cover for a headset, as shown and described.

**DESCRIPTION**

FIG. 1 is a front view of a headset showing our new design;

FIG. 2 is a rear view thereof;

FIG. 3 is a perspective front view thereof;

FIG. 4 is a perspective rear view thereof;

FIG. 5 is a right side view thereof;

FIG. 6 is a left side view thereof;

FIG. 7 is a bottom view thereof;

FIG. 8 is a top view thereof;

FIG. 9 is a front plan view of a headset body showing our new design in isolation from the headset of FIGS. 1–8, shown separately for purposes of illustration;

FIG. 10 is a rear plan view thereof;

FIG. 11 is a perspective front view thereof;

FIG. 12 is a perspective rear view thereof;

FIG. 13 is a right side view thereof;

FIG. 14 is a left side view thereof;

FIG. 15 is a top view thereof;

FIG. 16 is a bottom view thereof;

FIG. 17 is a front plan view of an earclip for a headset showing our new design in isolation from the headset of FIGS. 1–8, shown separately for purposes of illustration;

FIG. 18 is a rear plan view thereof;

FIG. 19 is a perspective front view thereof;

FIG. 20 is a perspective rear view thereof;

FIG. 21 is a top view thereof;

FIG. 22 is a bottom view thereof;

FIG. 23 is a right side view thereof;

FIG. 24 is a left side view thereof;

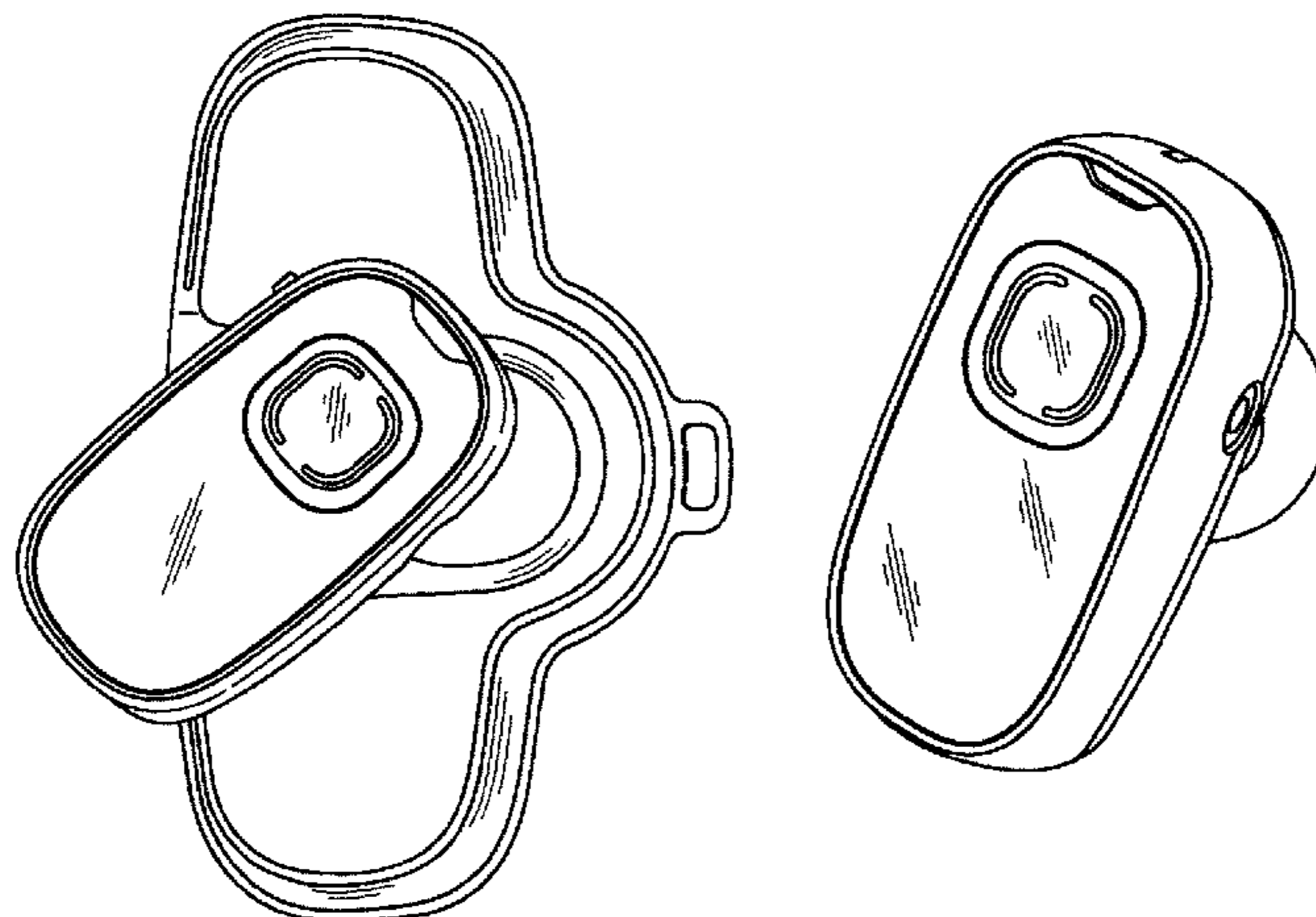
FIG. 25 is a front perspective view of a cover for a headset body showing our new design in isolation of the headset of FIGS. 9–16, shown separately for purposes of illustration.

FIG. 26 is a perspective rear view thereof;

FIG. 27 is a front plan view thereof; and,

FIG. 28 is a rear plan view thereof.

**1 Claim, 14 Drawing Sheets**



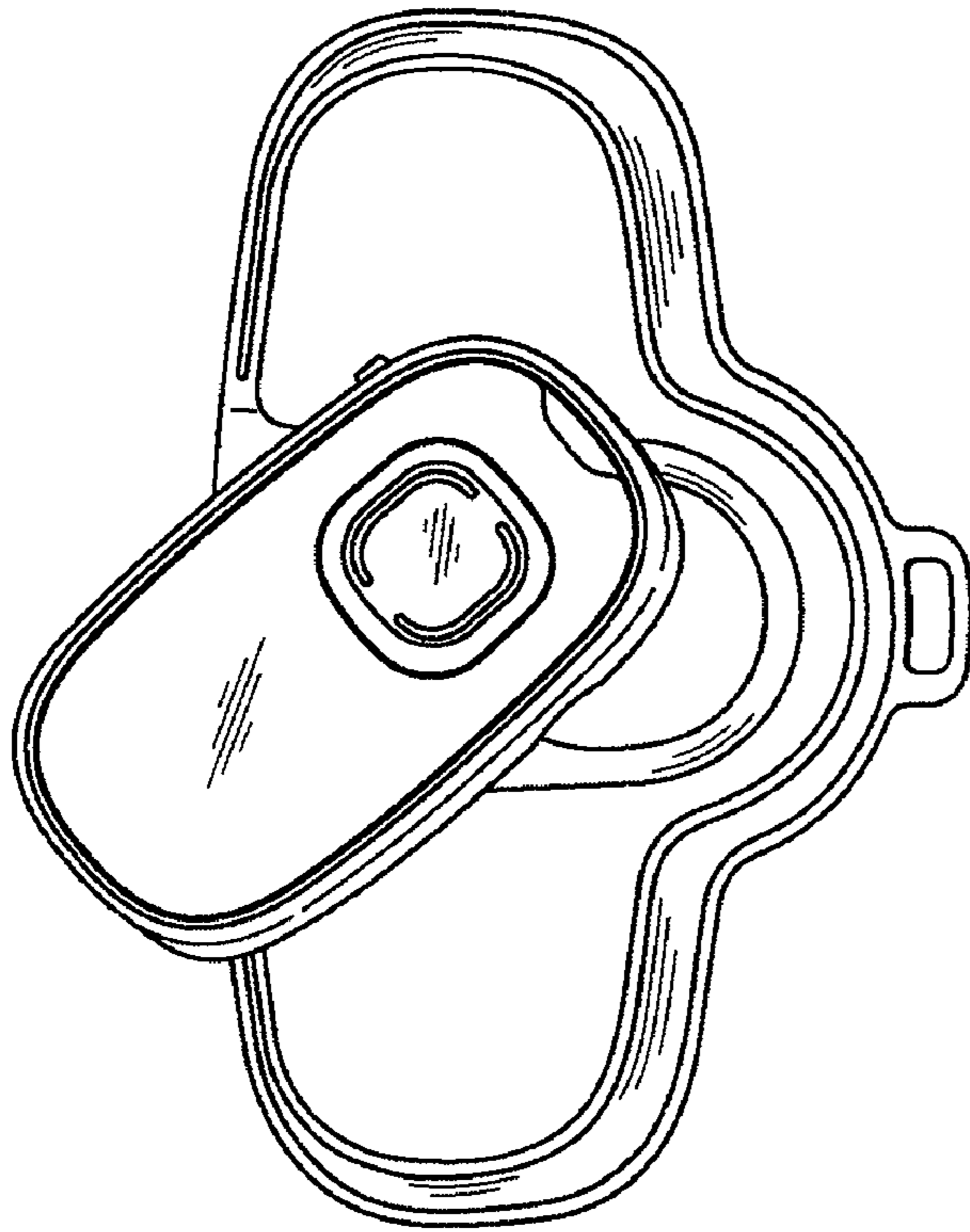
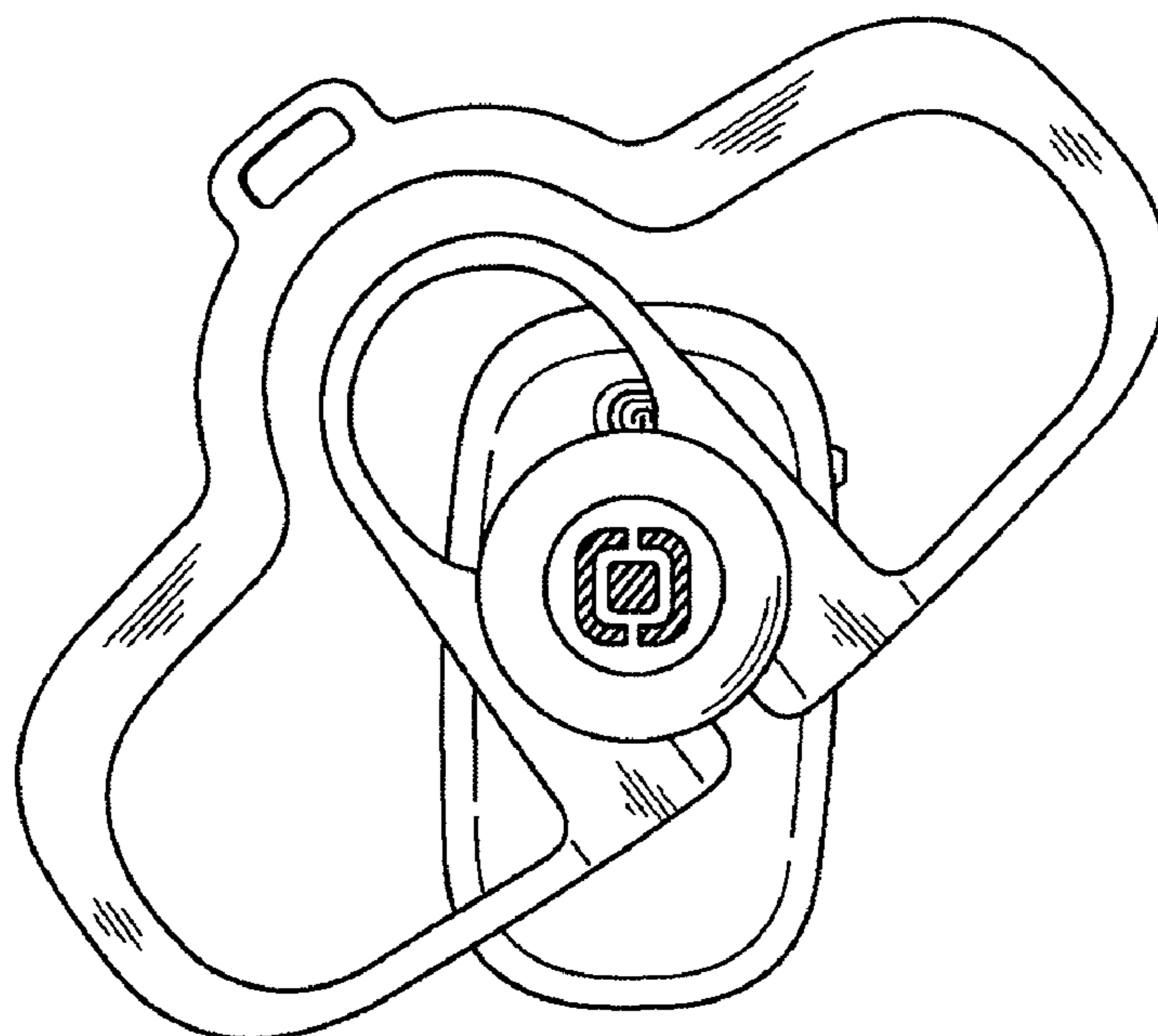


FIG. 1

FIG. 2



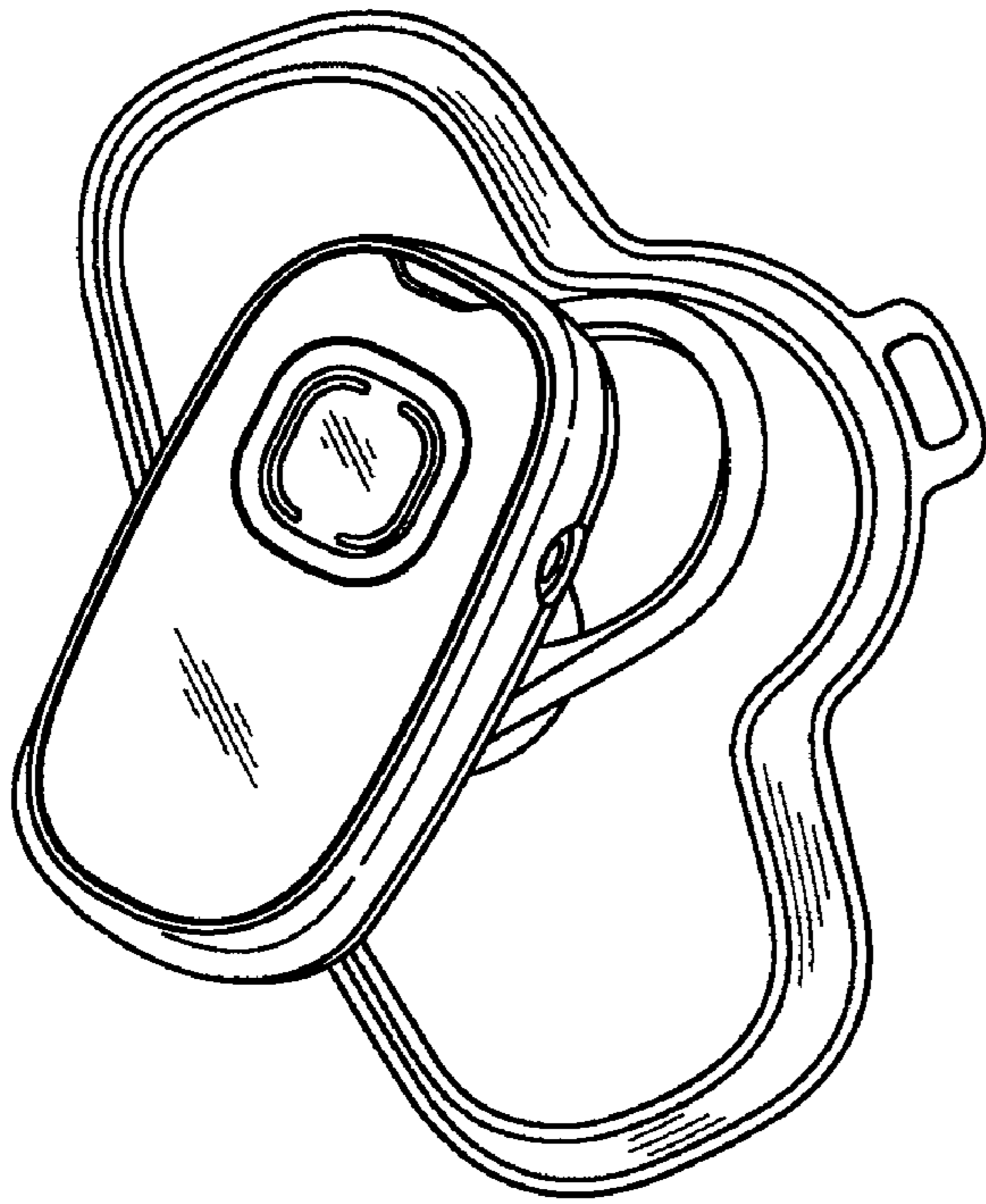
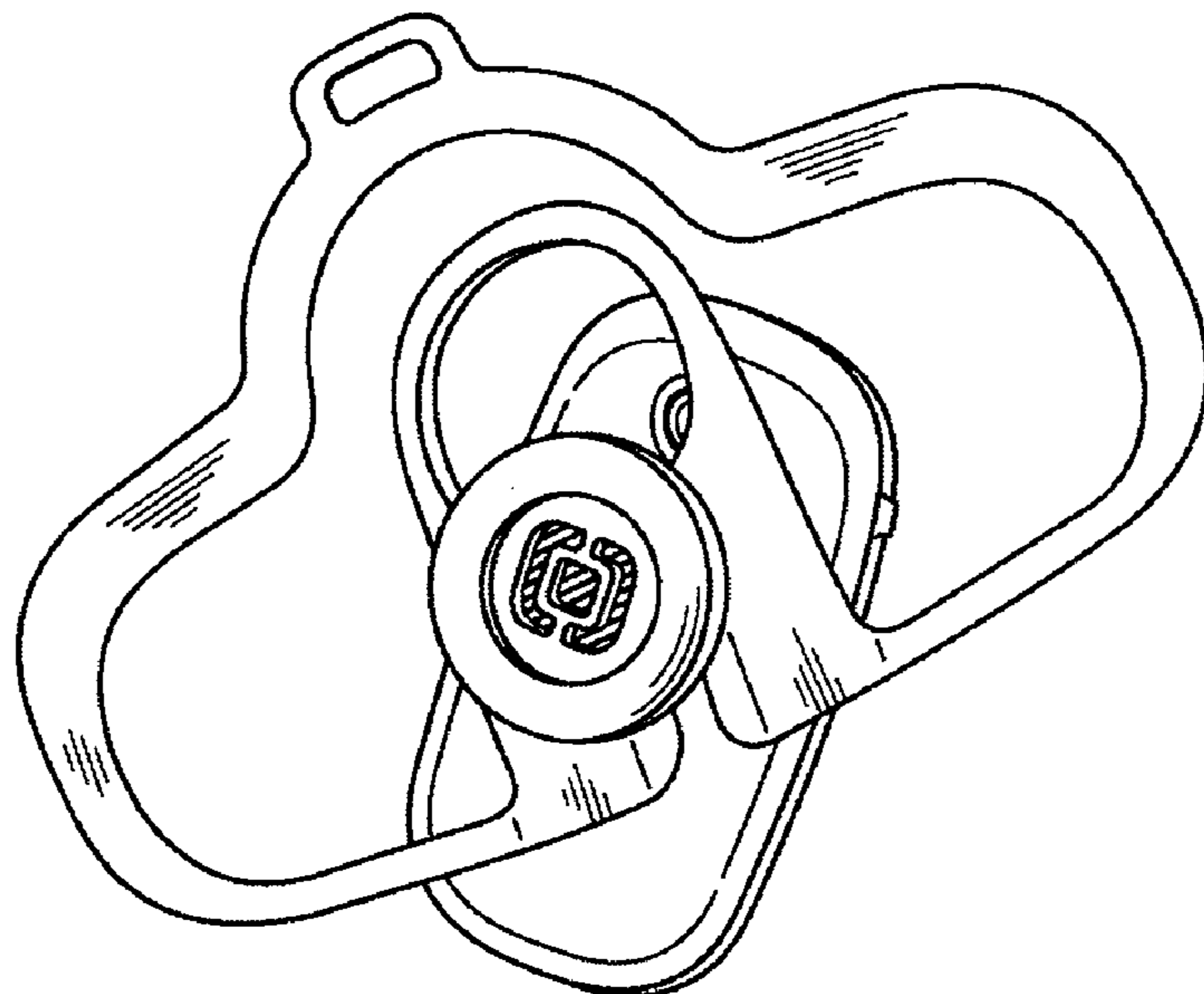


FIG. 3

FIG. 4



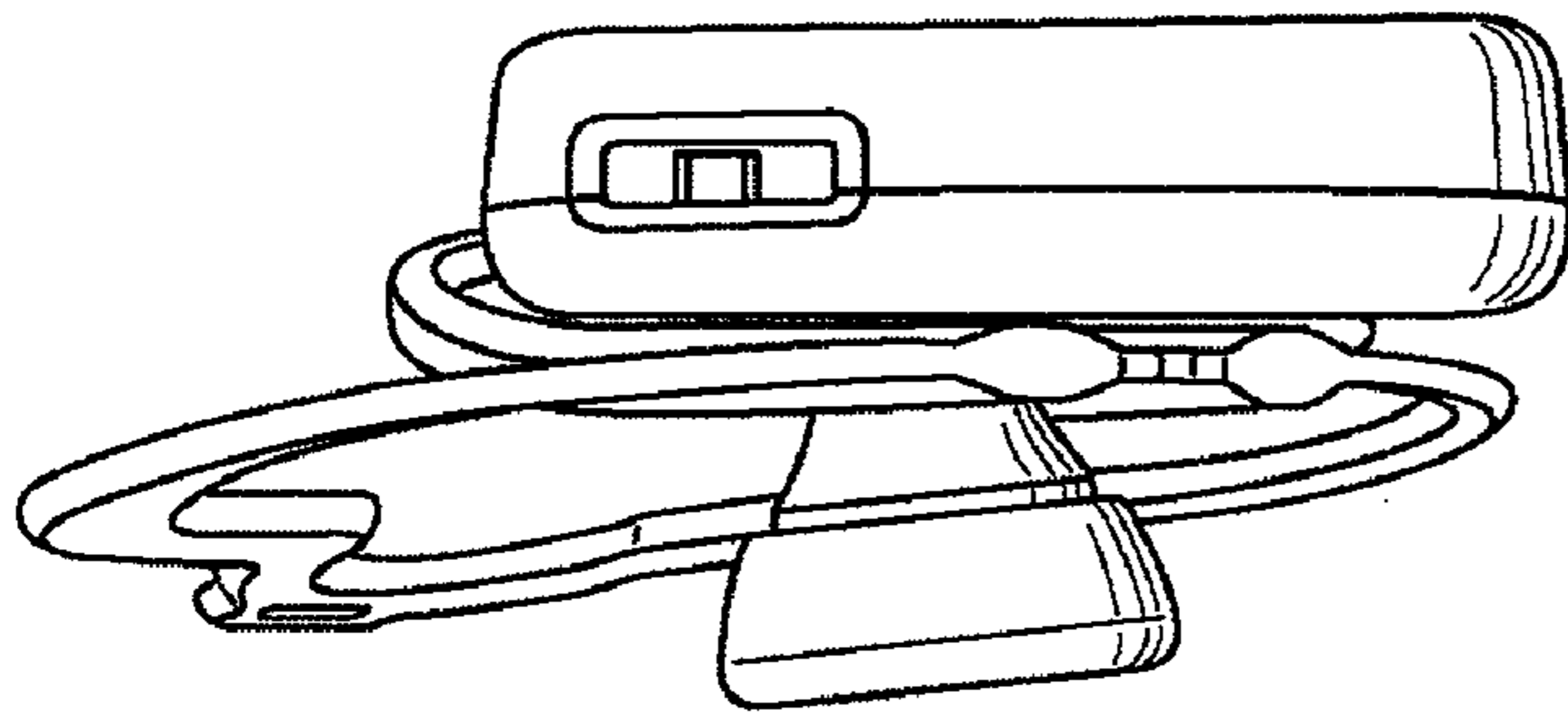


FIG. 5

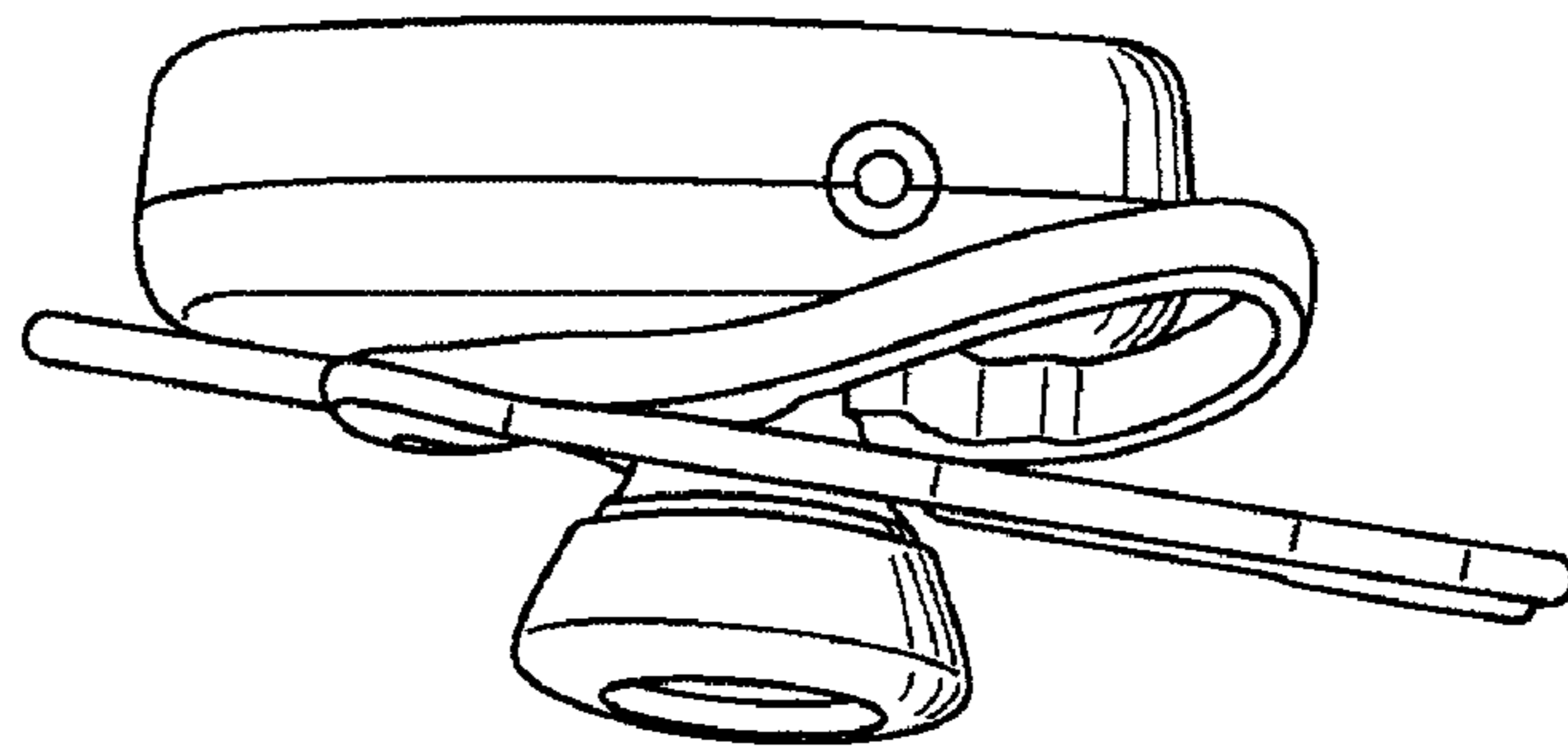


FIG. 6

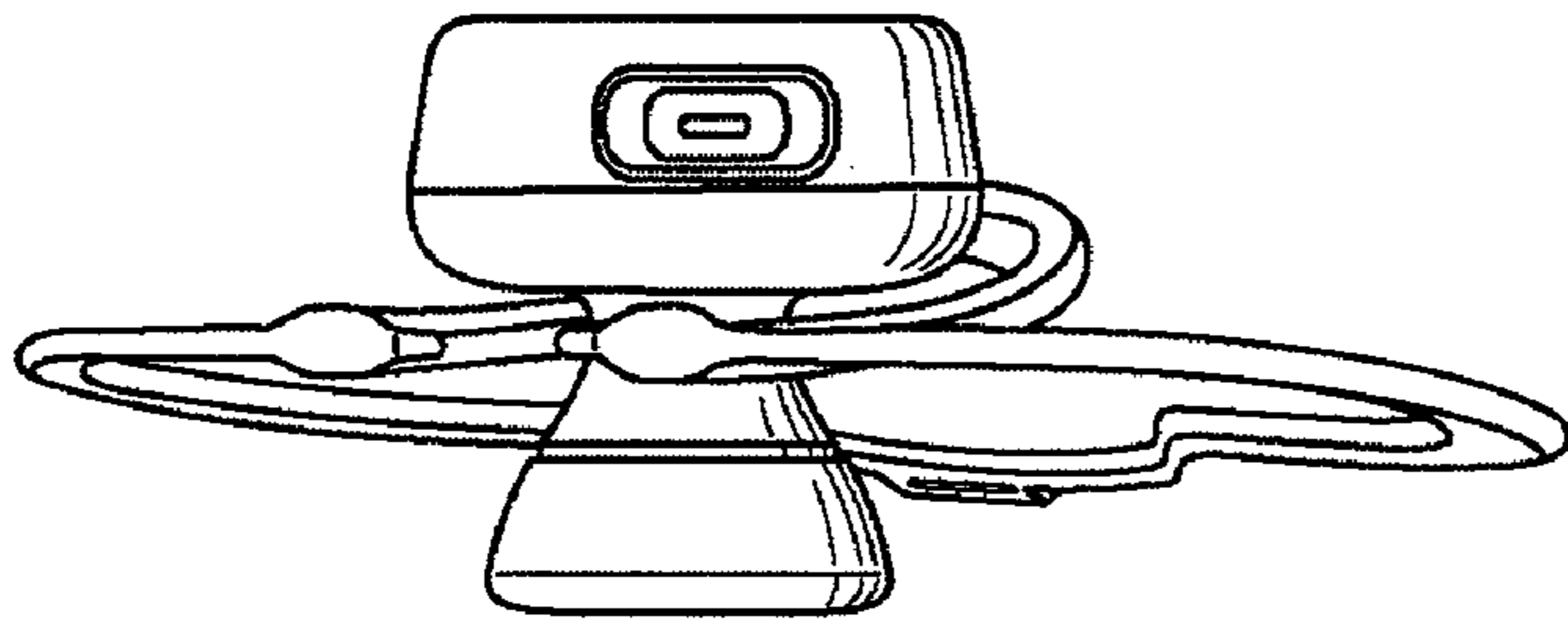
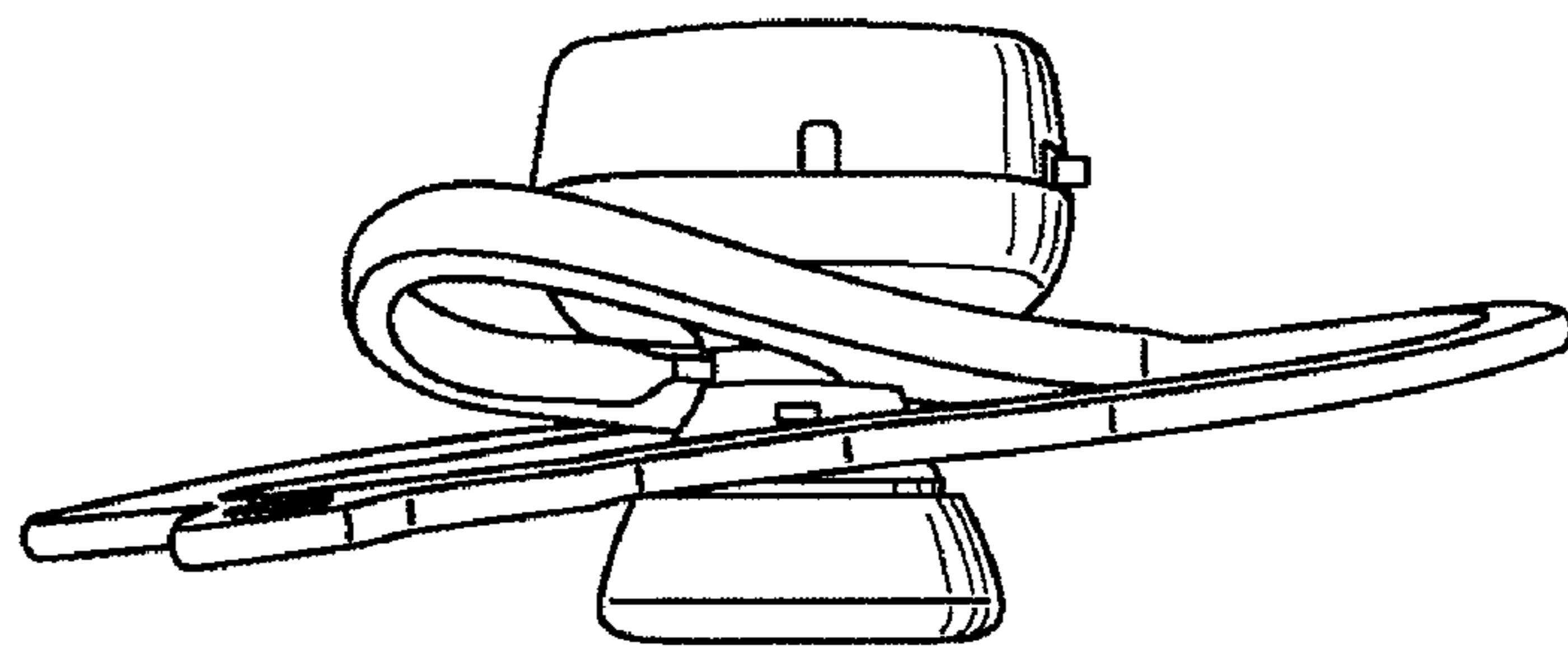


FIG. 7

FIG. 8



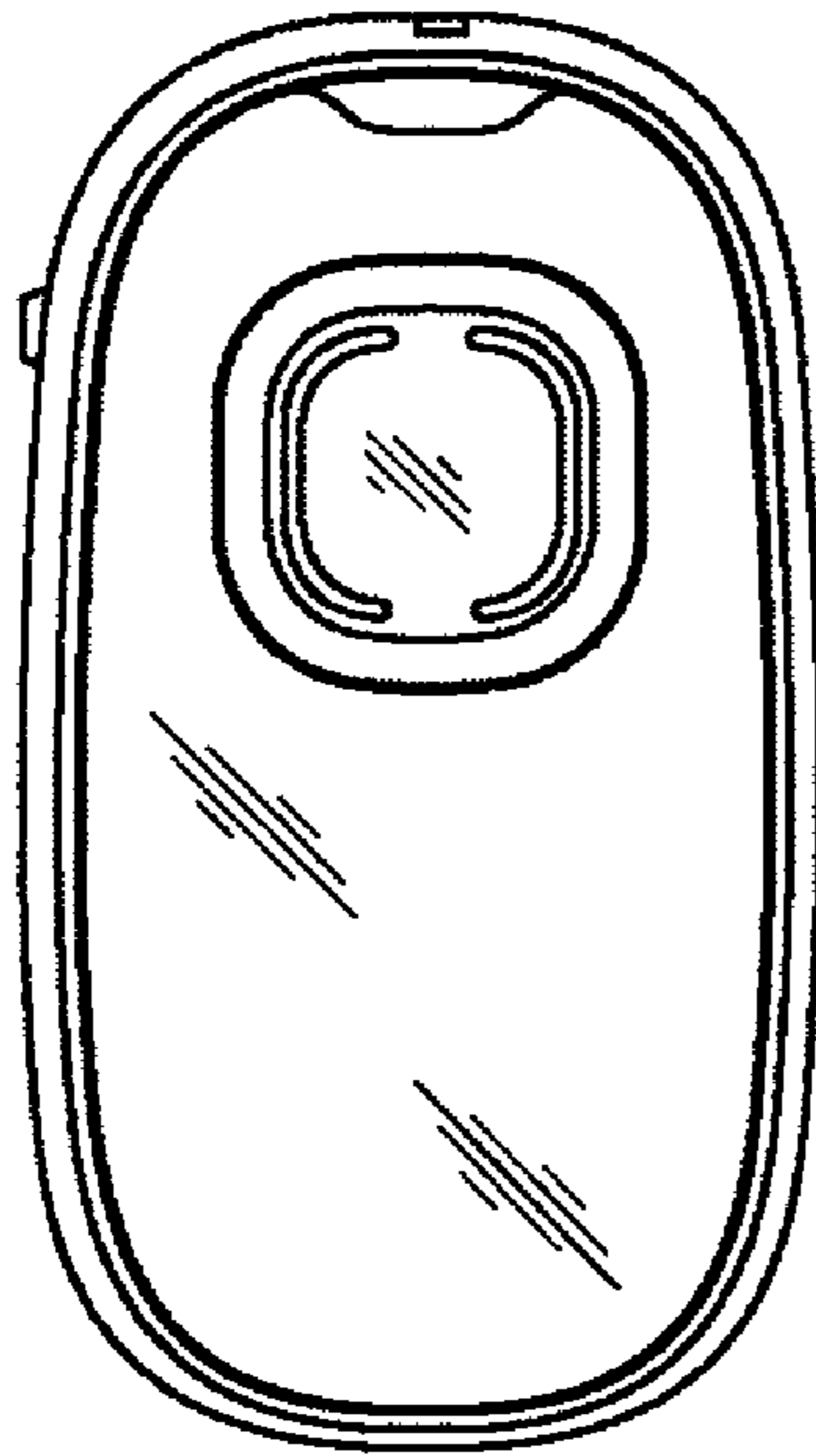
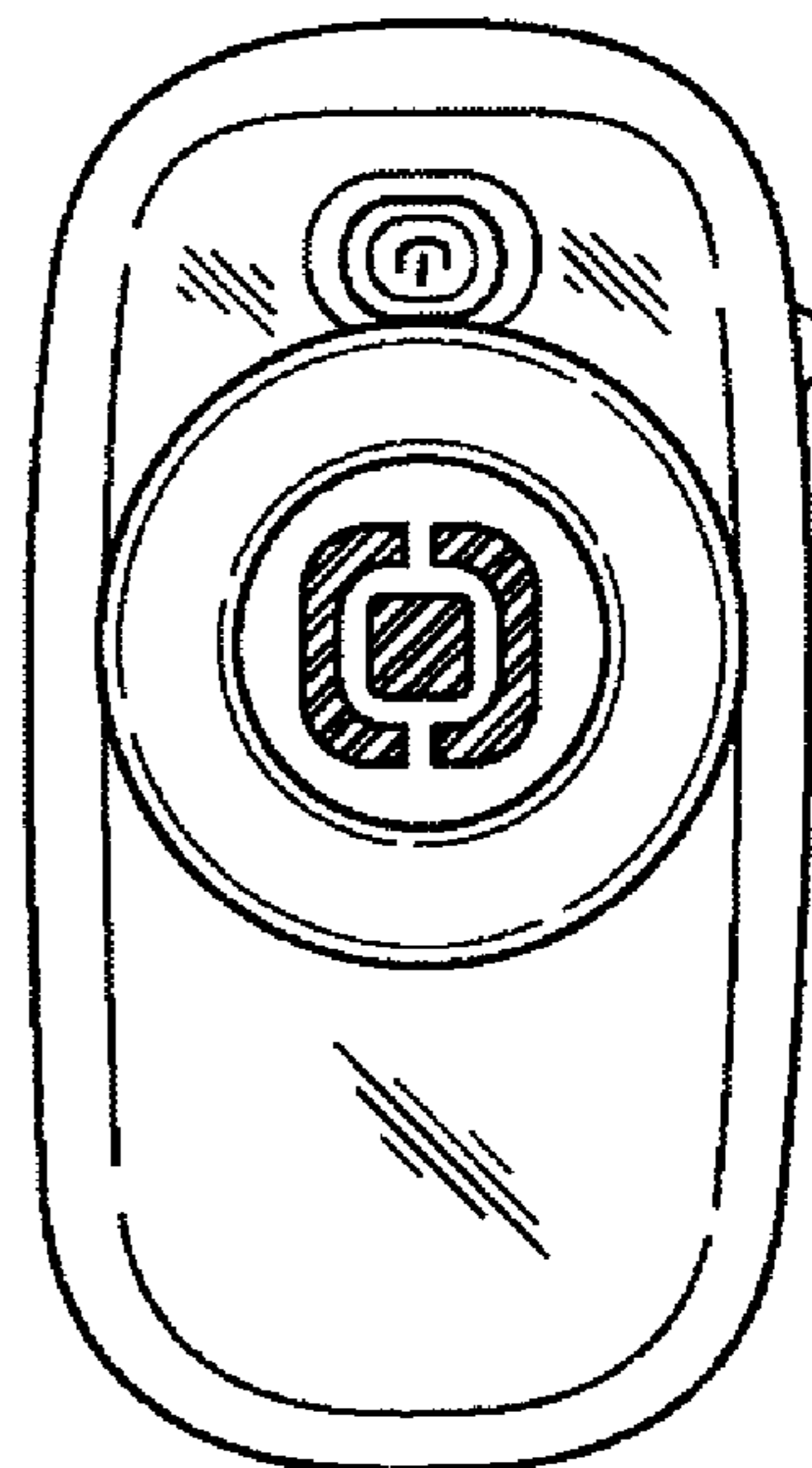


FIG. 9

FIG. 10



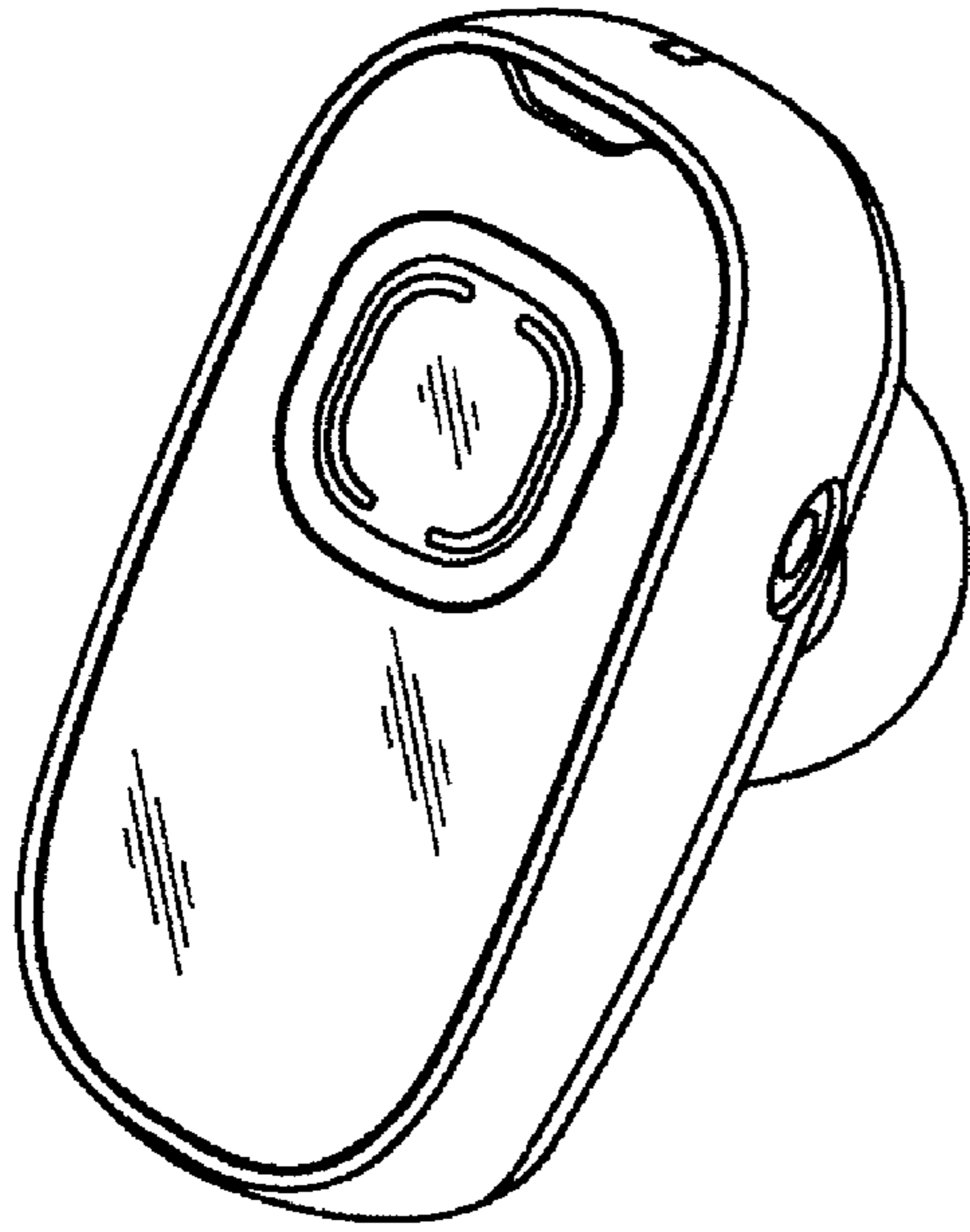


FIG. 11

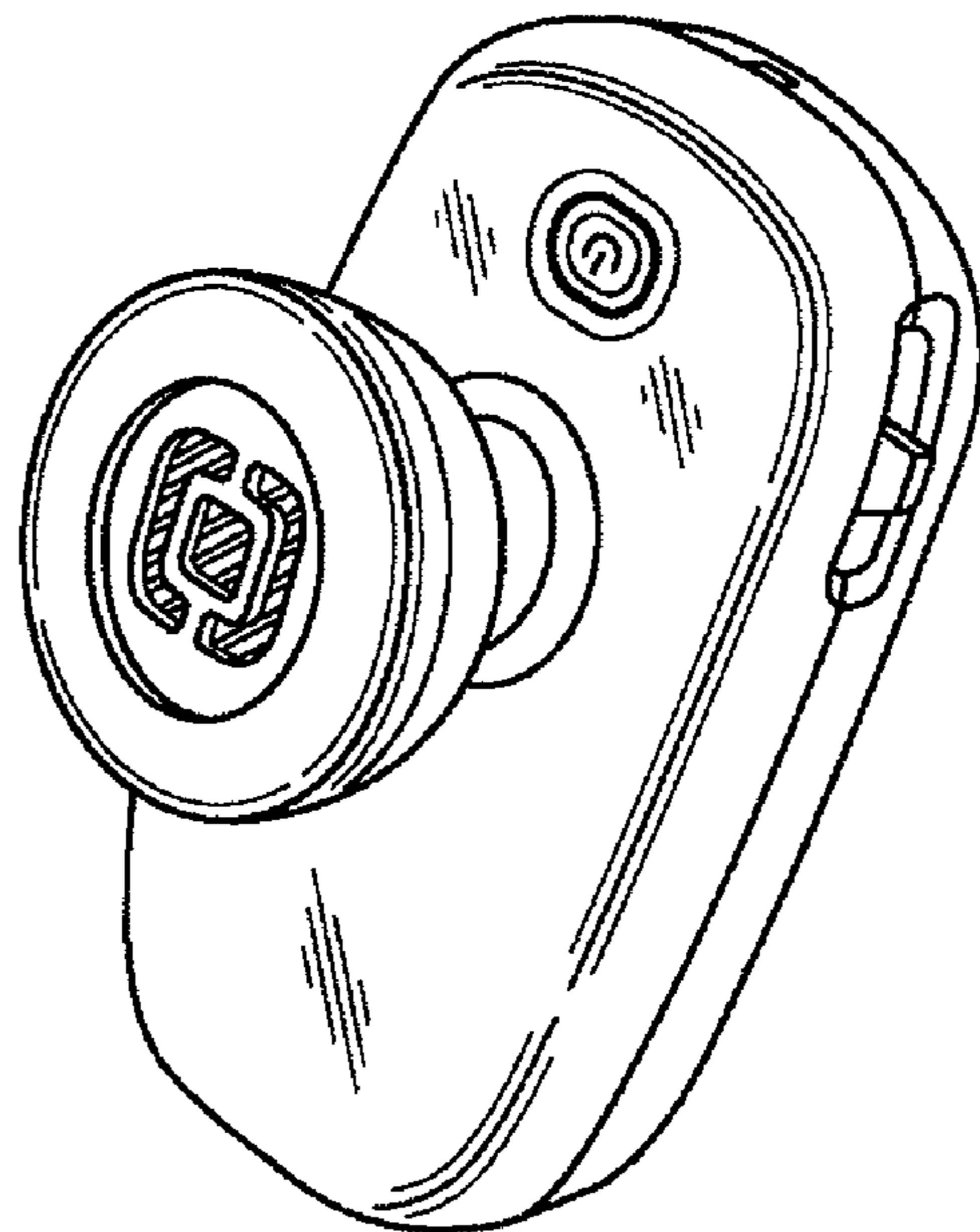


FIG. 12

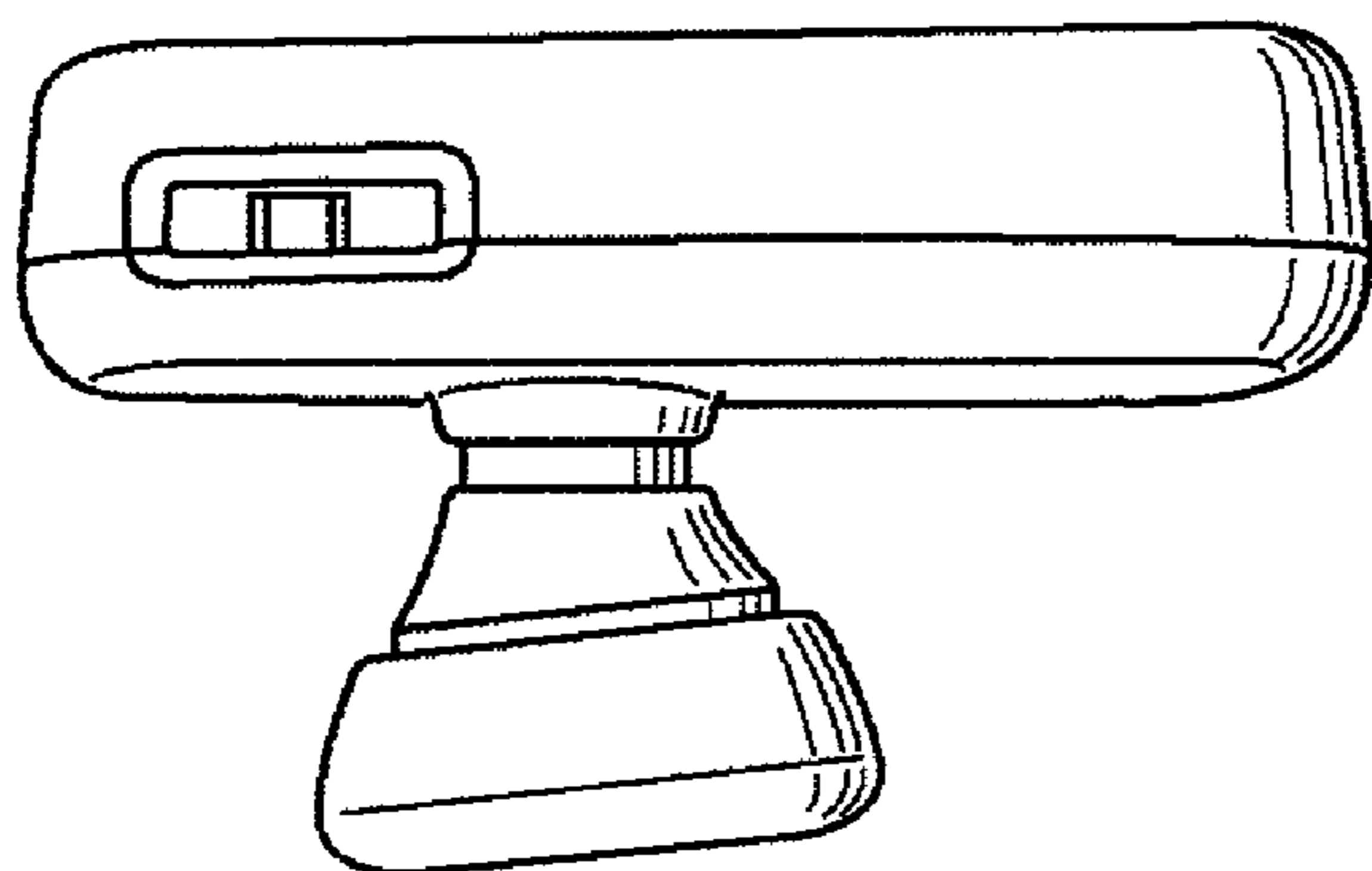


FIG. 13

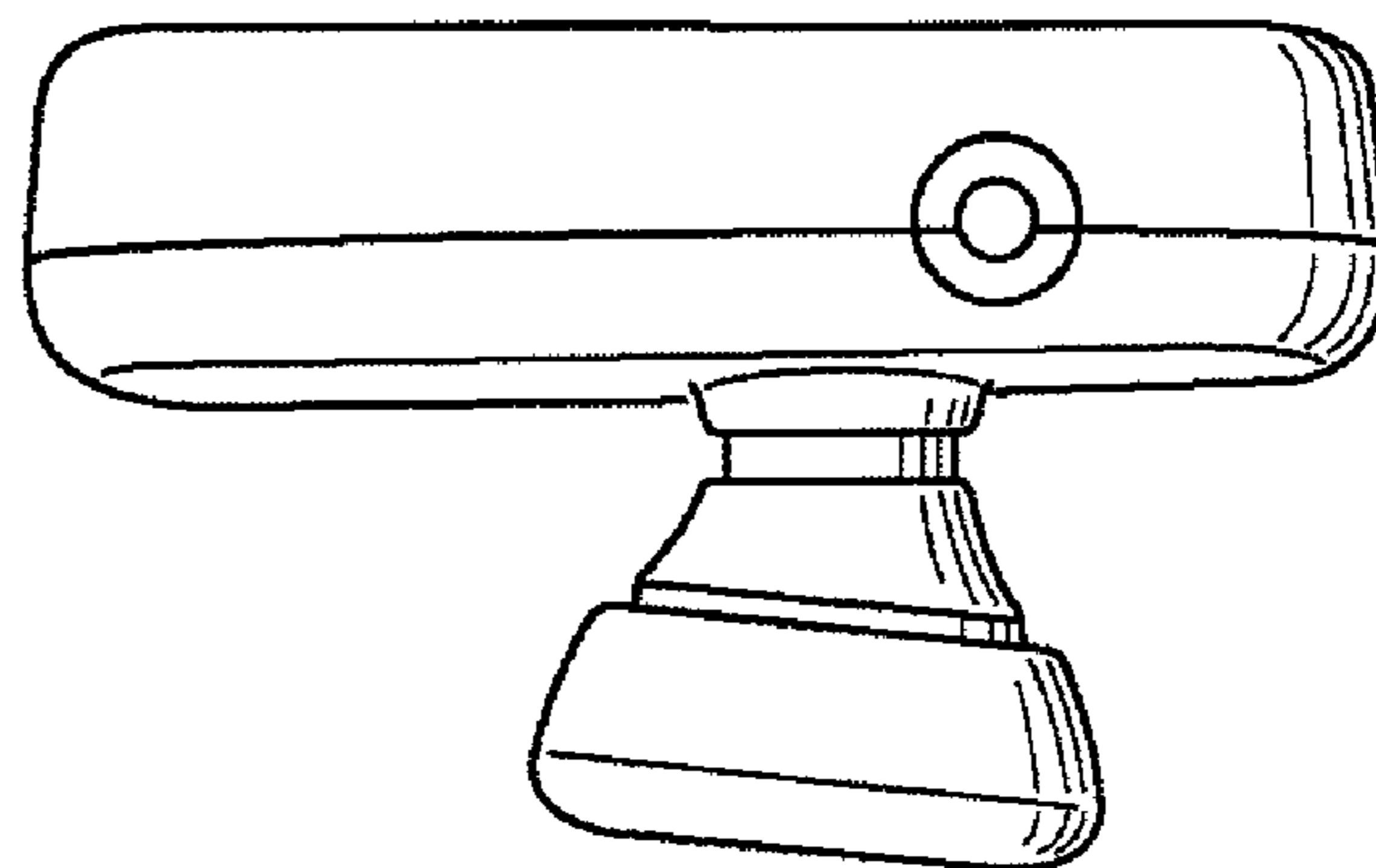


FIG. 14



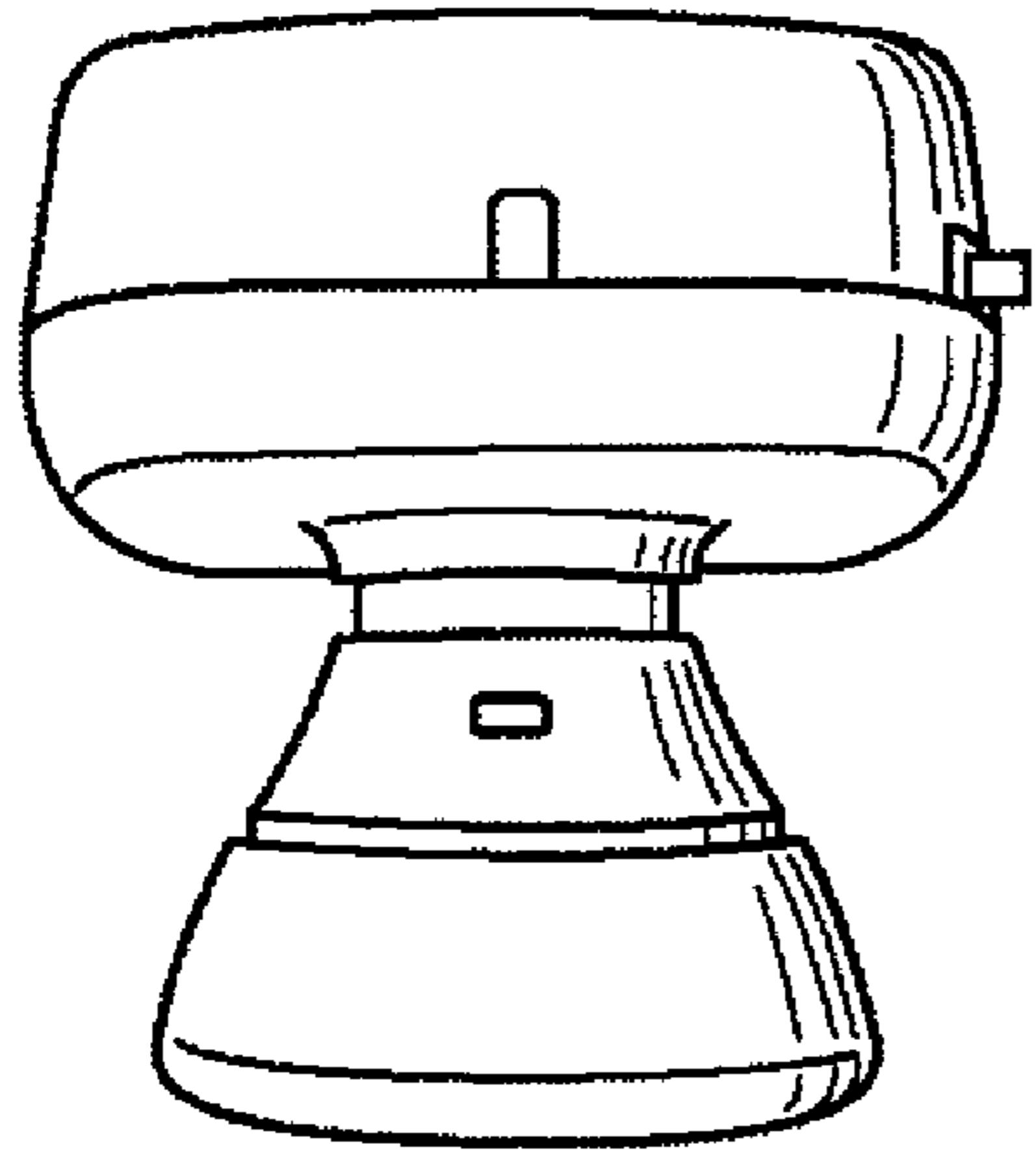
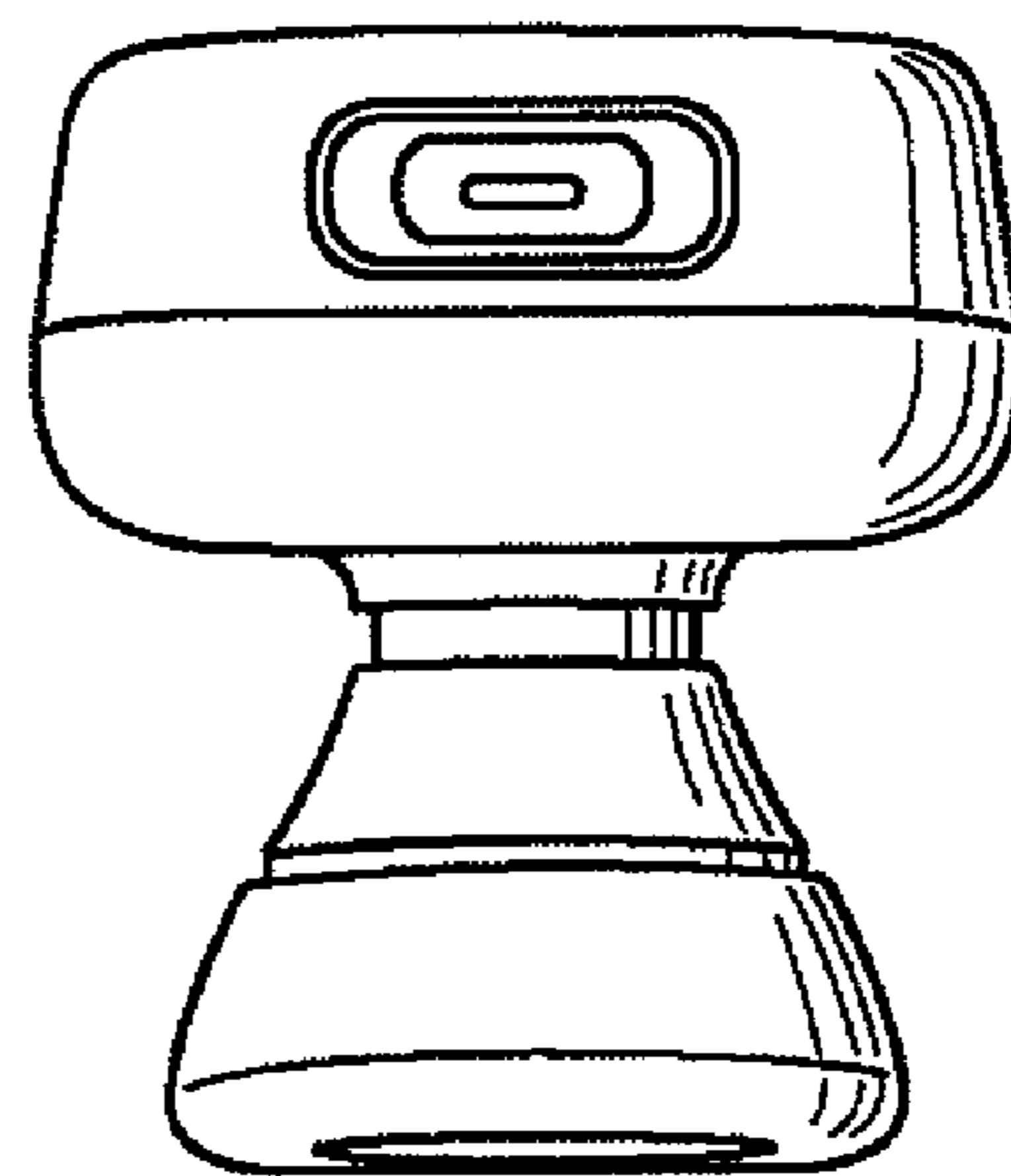


FIG. 15

FIG. 16



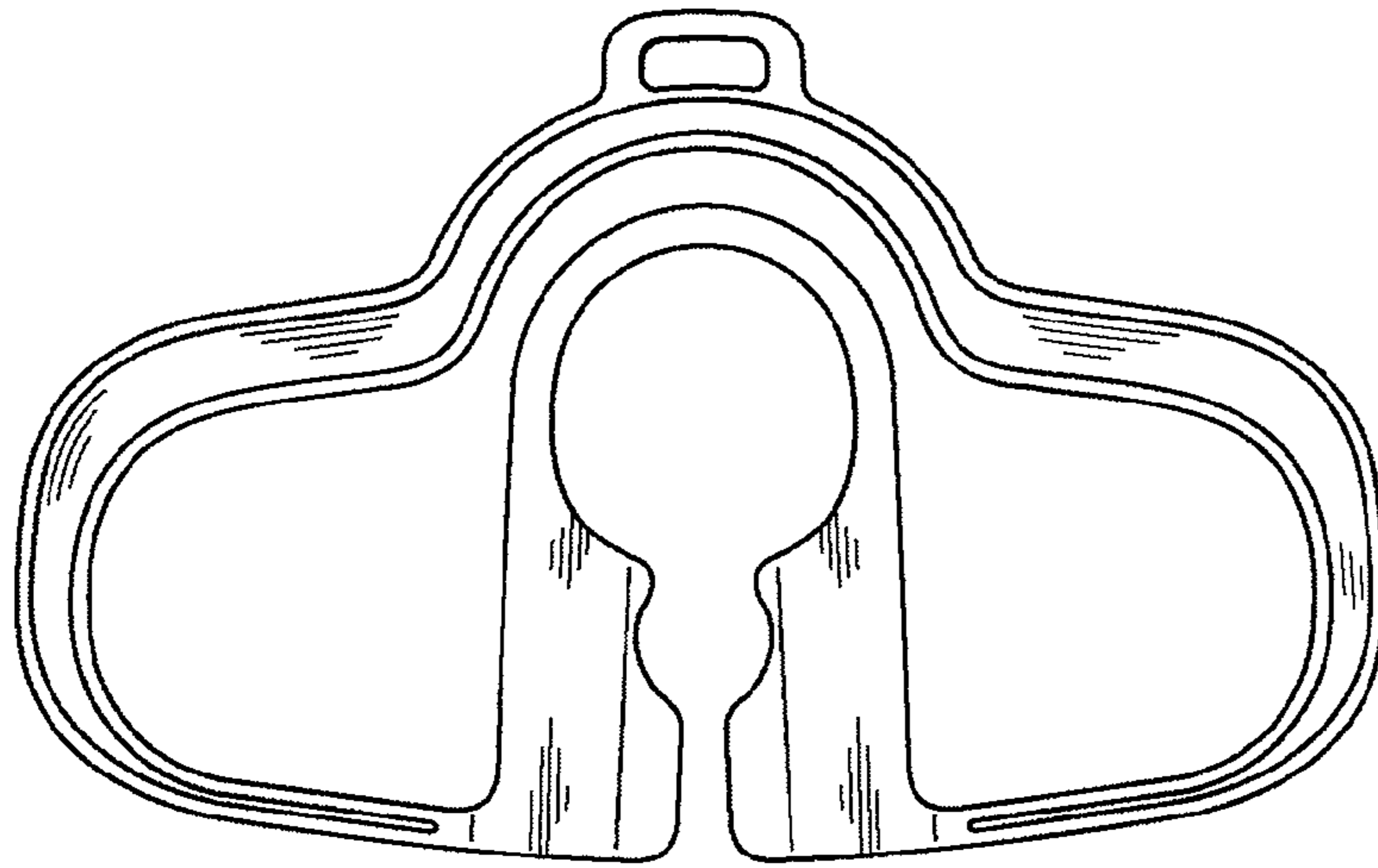
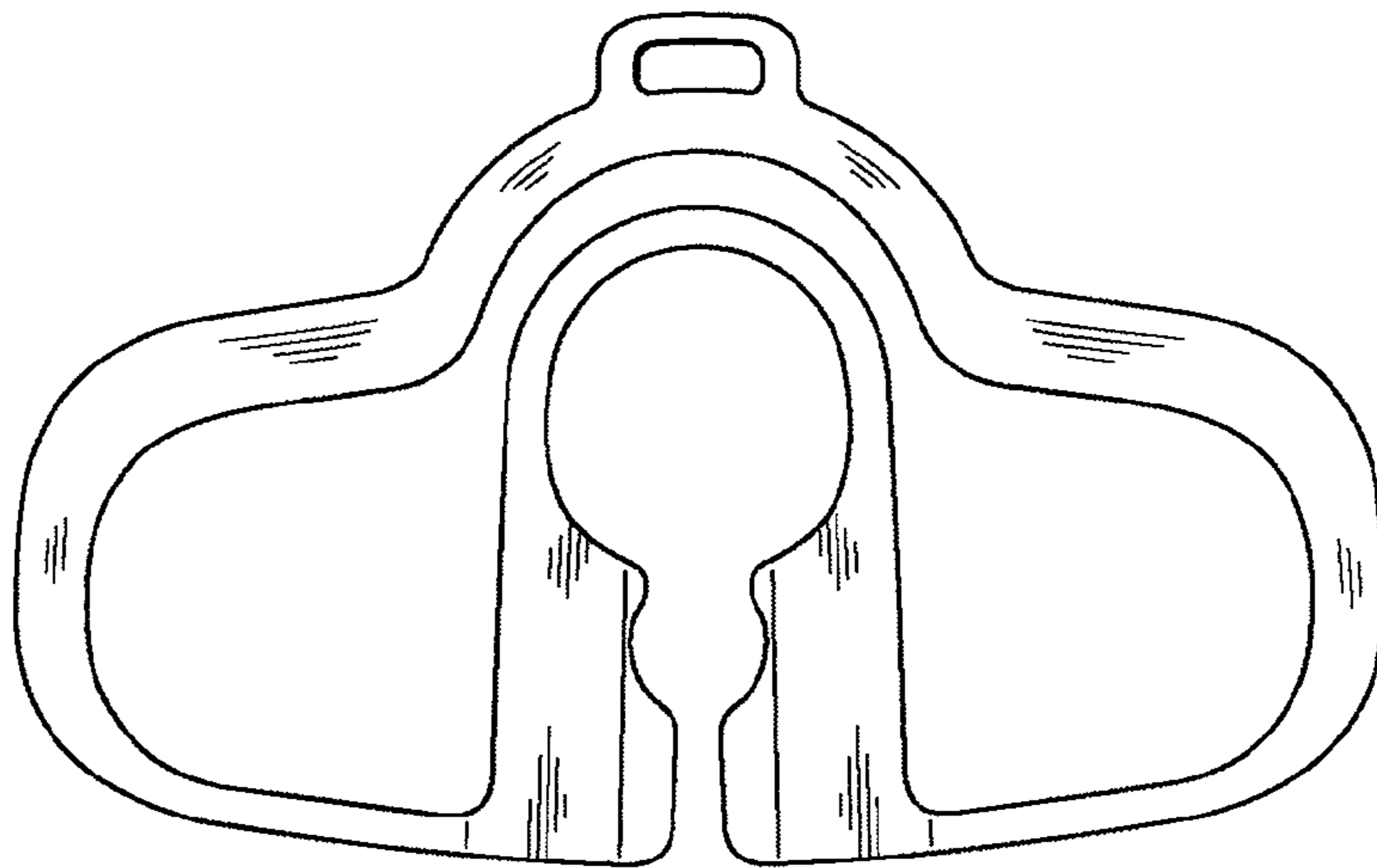


FIG. 17

FIG. 18



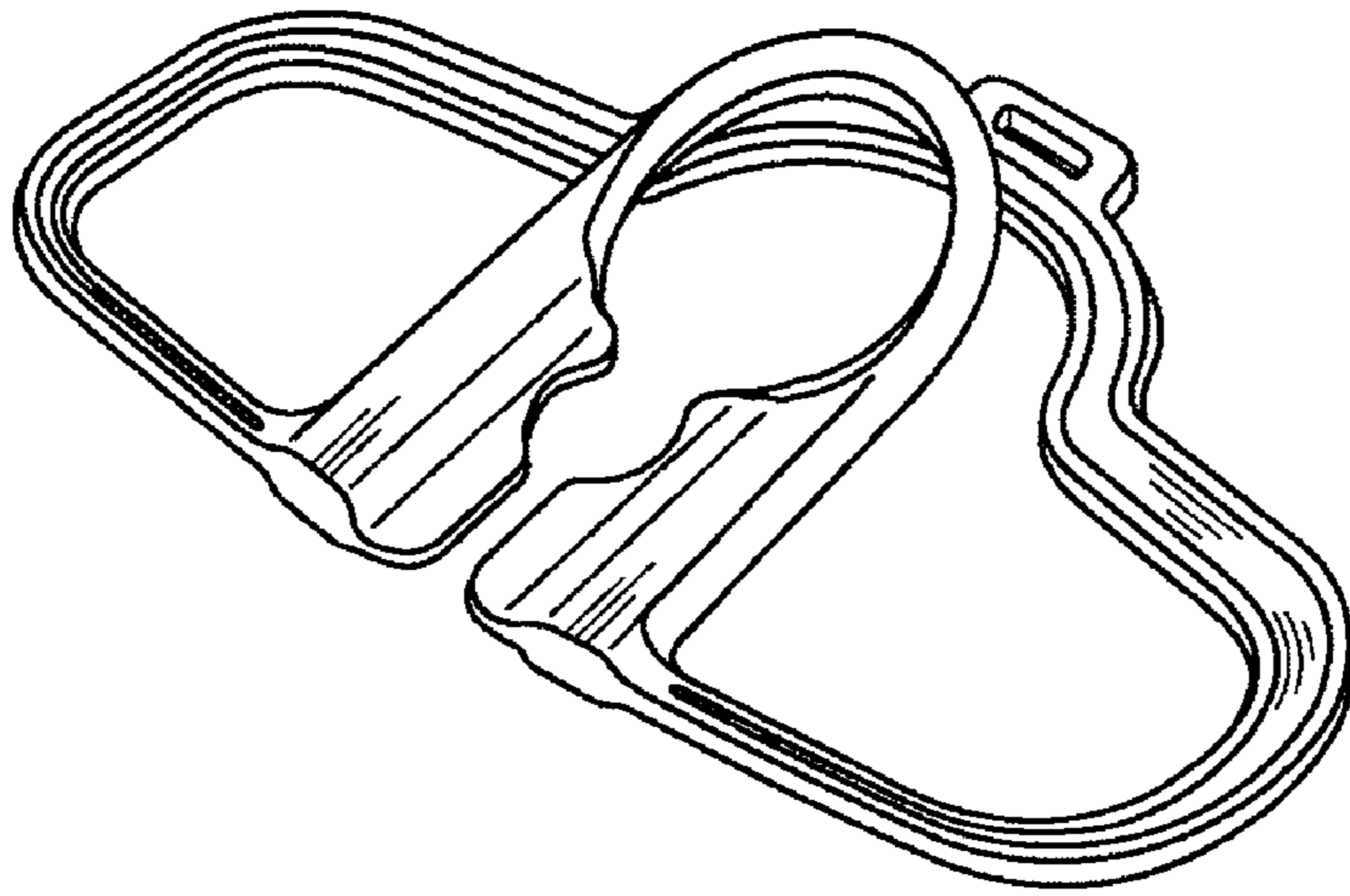


FIG. 19



FIG. 20

FIG. 21

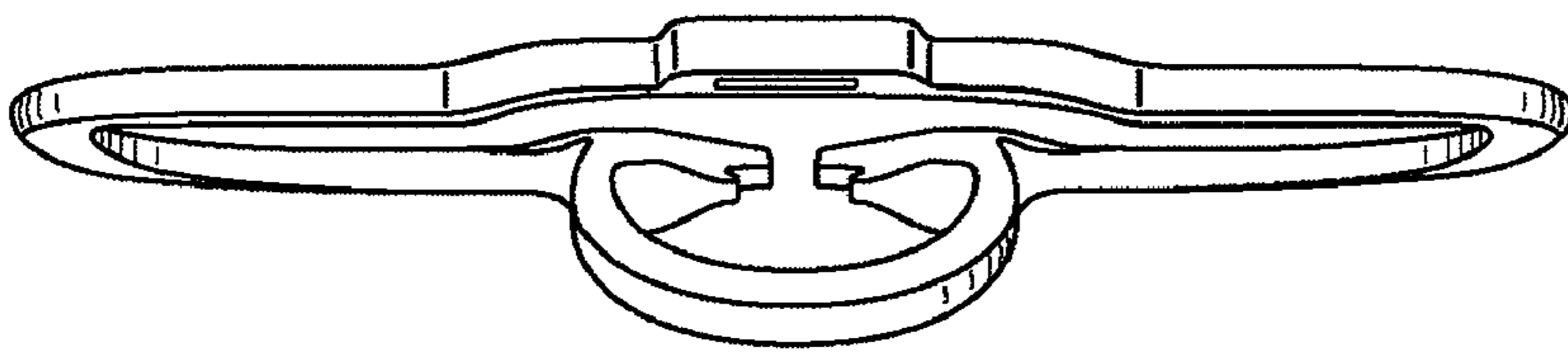
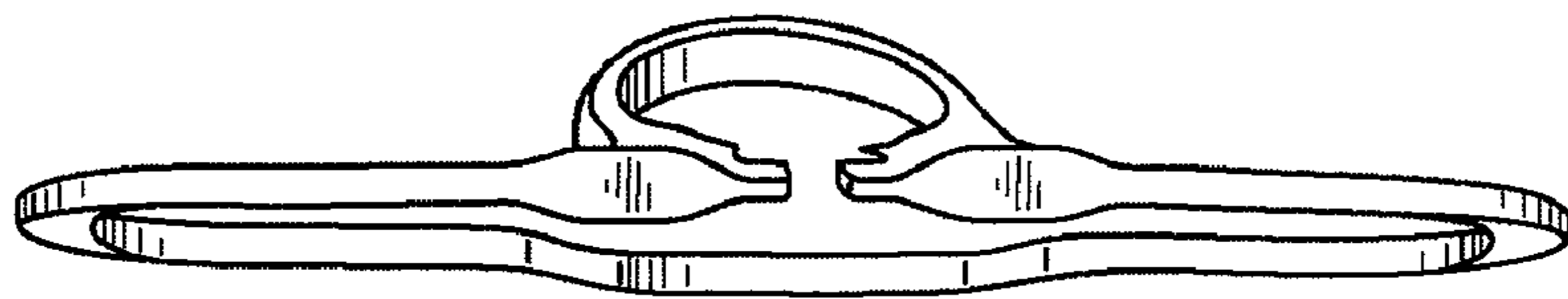


FIG. 22



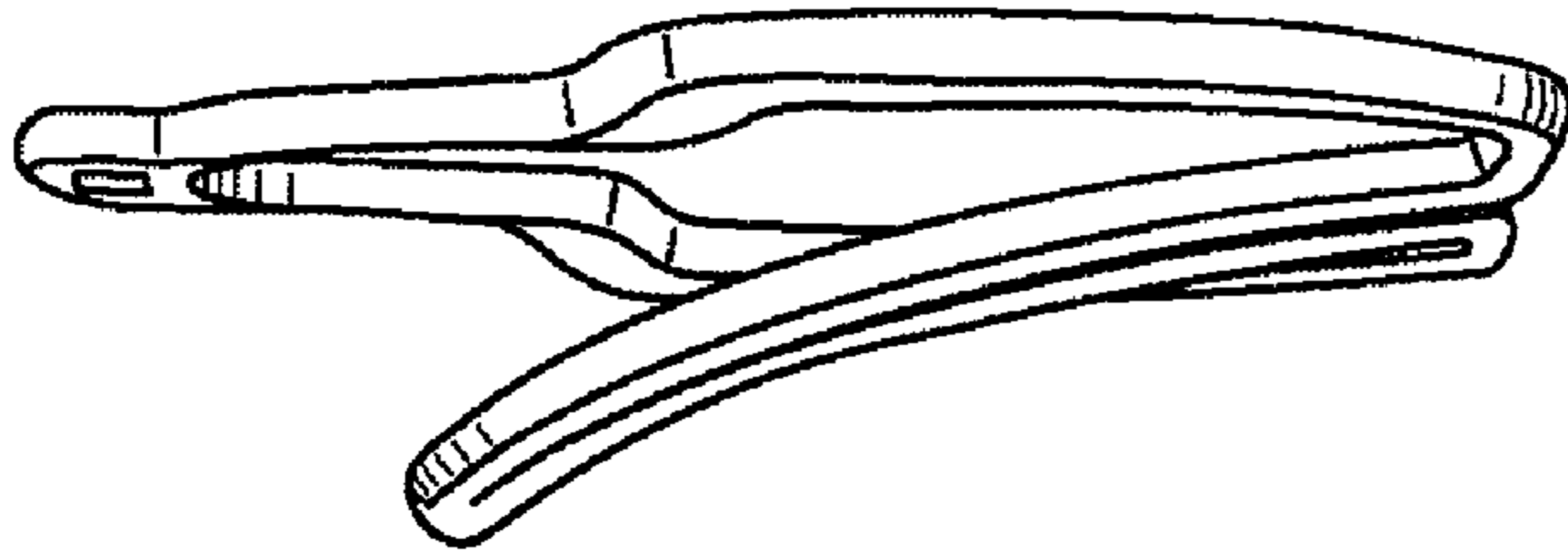


FIG. 23

FIG. 24

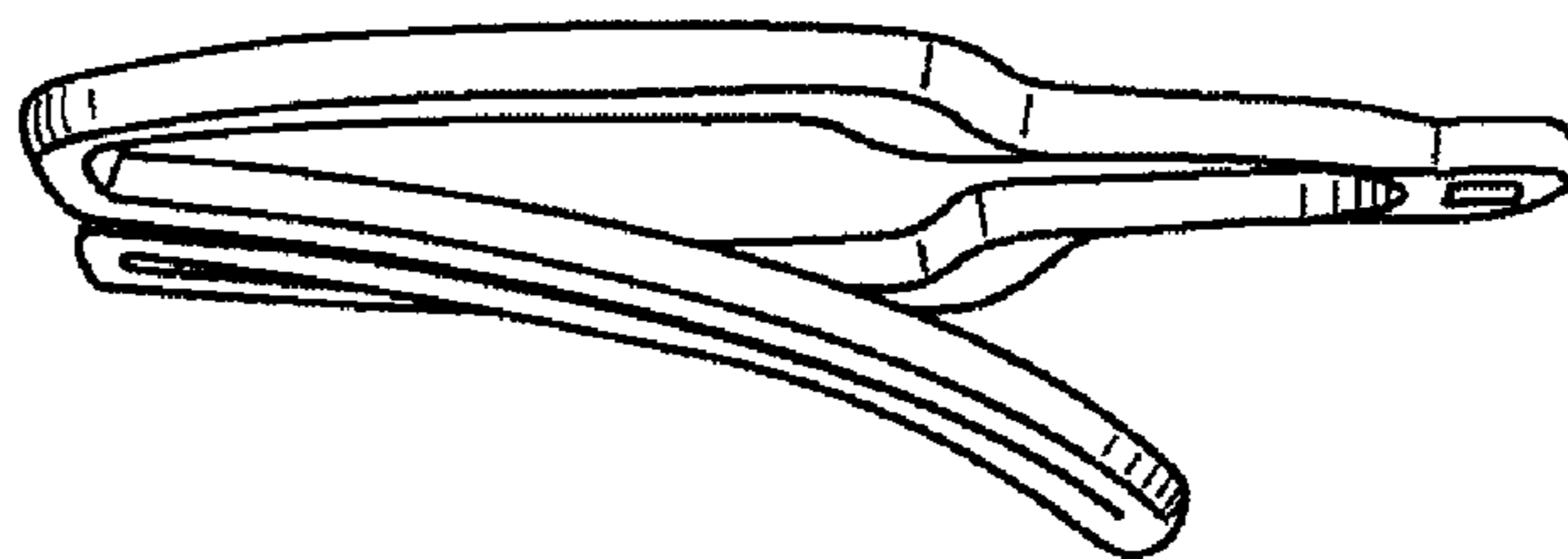


FIG. 25

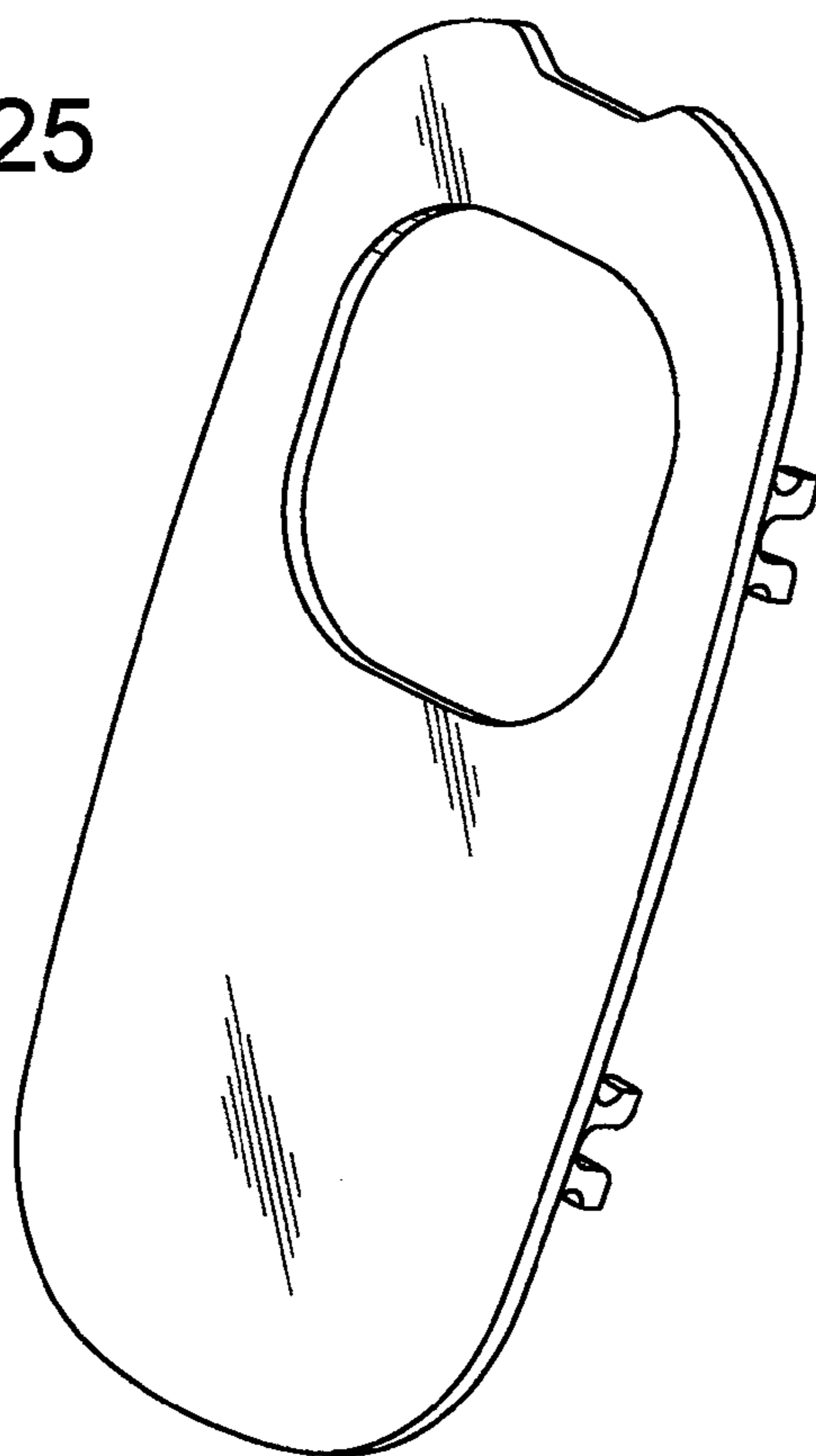


FIG. 26

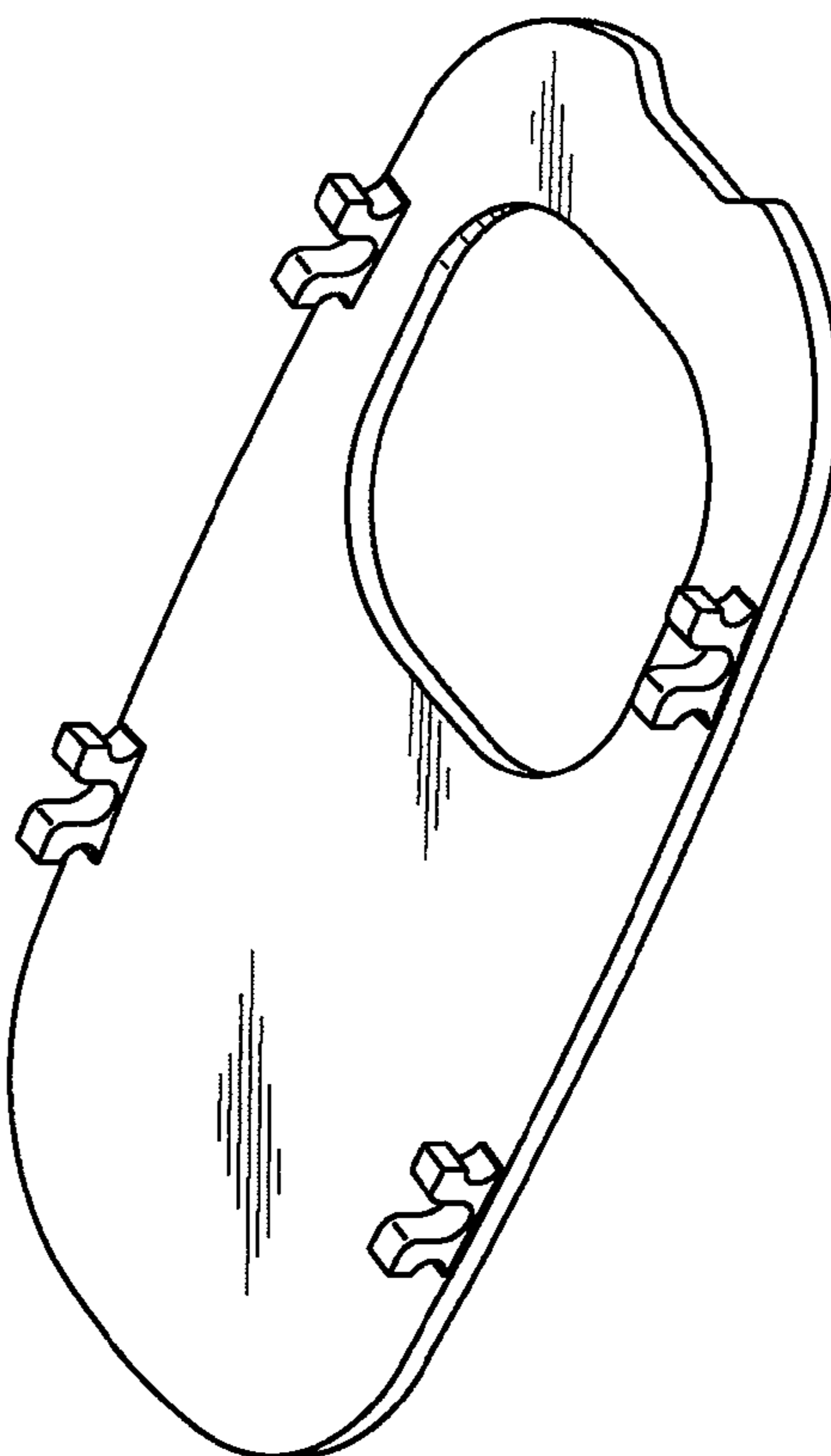


FIG. 27

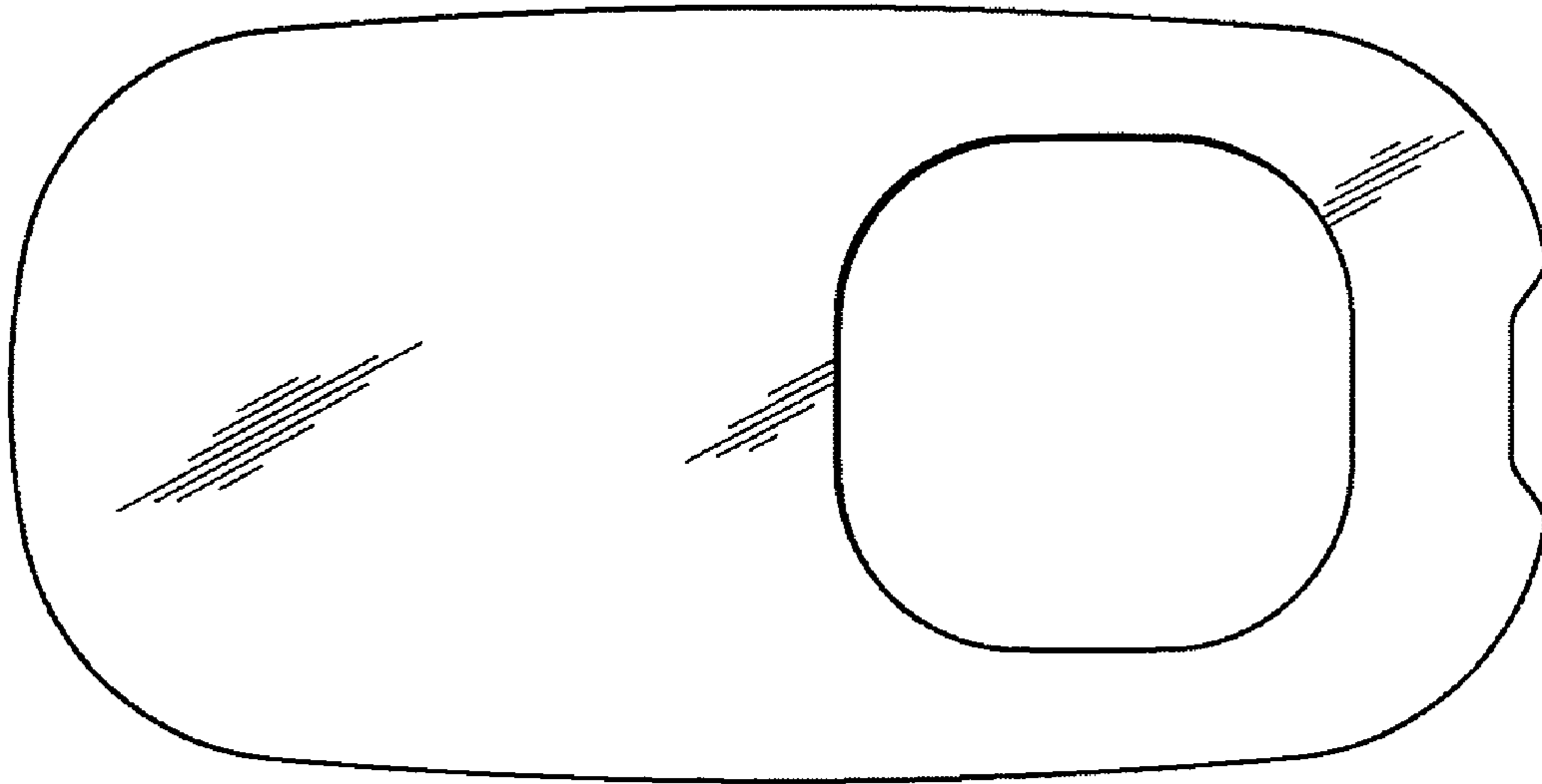


FIG. 28

