

US00D583796S

(12) **United States Design Patent**
Tanaka

(10) **Patent No.:** **US D583,796 S**

(45) **Date of Patent:** **** Dec. 30, 2008**

(54) **TRANSMITTER FOR RADIO-CONTROLLED TOY**

(75) Inventor: **Kazuaki Tanaka**, Tokyo (JP)

(73) Assignee: **CCP Co., Ltd.**, Tokyo (JP)

(**) Term: **14 Years**

(21) Appl. No.: **29/319,813**

(22) Filed: **Jun. 16, 2008**

(51) **LOC (8) Cl.** **14-03**

(52) **U.S. Cl.** **D14/155**

(58) **Field of Classification Search** D14/155,
D14/125, 136, 167, 188, 240, 301, 311, 349,
D14/351, 365, 368, 433, 496; D10/106;
386/91, 52, 68; 455/350, 347, 344

See application file for complete search history.

(56) **References Cited**

U.S. PATENT DOCUMENTS

D327,886 S *	7/1992	Yan	D14/138 R
D345,314 S *	3/1994	Chandra	D10/106
D415,123 S *	10/1999	Murphy	D14/311
D475,369 S *	6/2003	Bone et al.	D14/301
D484,497 S *	12/2003	Alviar et al.	D14/240
D489,731 S *	5/2004	Huang	D14/136
D499,424 S *	12/2004	Bahroocha	D14/136
D507,277 S *	7/2005	Sitoh	D14/136
D513,617 S *	1/2006	Tierney	D14/496
D517,065 S *	3/2006	Ko et al.	D14/365
D519,101 S *	4/2006	Alwicker et al.	D14/188
D519,522 S *	4/2006	Lee	D14/136
D519,523 S *	4/2006	Chiu et al.	D14/136

D521,527 S *	5/2006	Lee	D14/136
D523,014 S *	6/2006	Liu et al.	D14/433
D529,903 S *	10/2006	McRae et al.	D14/240
D540,774 S *	4/2007	Alwicker et al.	D14/155
D542,303 S *	5/2007	Cheng	D14/496
D556,211 S *	11/2007	Howard	D14/496
D559,208 S *	1/2008	Yoshino et al.	D14/125
D563,953 S *	3/2008	Tosh et al.	D14/349

* cited by examiner

Primary Examiner—Cathron C Brooks

Assistant Examiner—Austin Murphy

(74) *Attorney, Agent, or Firm*—Frishauf, Holtz, Goodman & Chick, P.C.

(57) **CLAIM**

The ornamental design for a transmitter for radio-controlled toy, as shown and described.

DESCRIPTION

FIG. 1 is a front, left side, top perspective view of a transmitter for radio-controlled toy showing my new design;

FIG. 2 is a front elevational view thereof;

FIG. 3 is a rear elevational view thereof;

FIG. 4 is a left side view thereof;

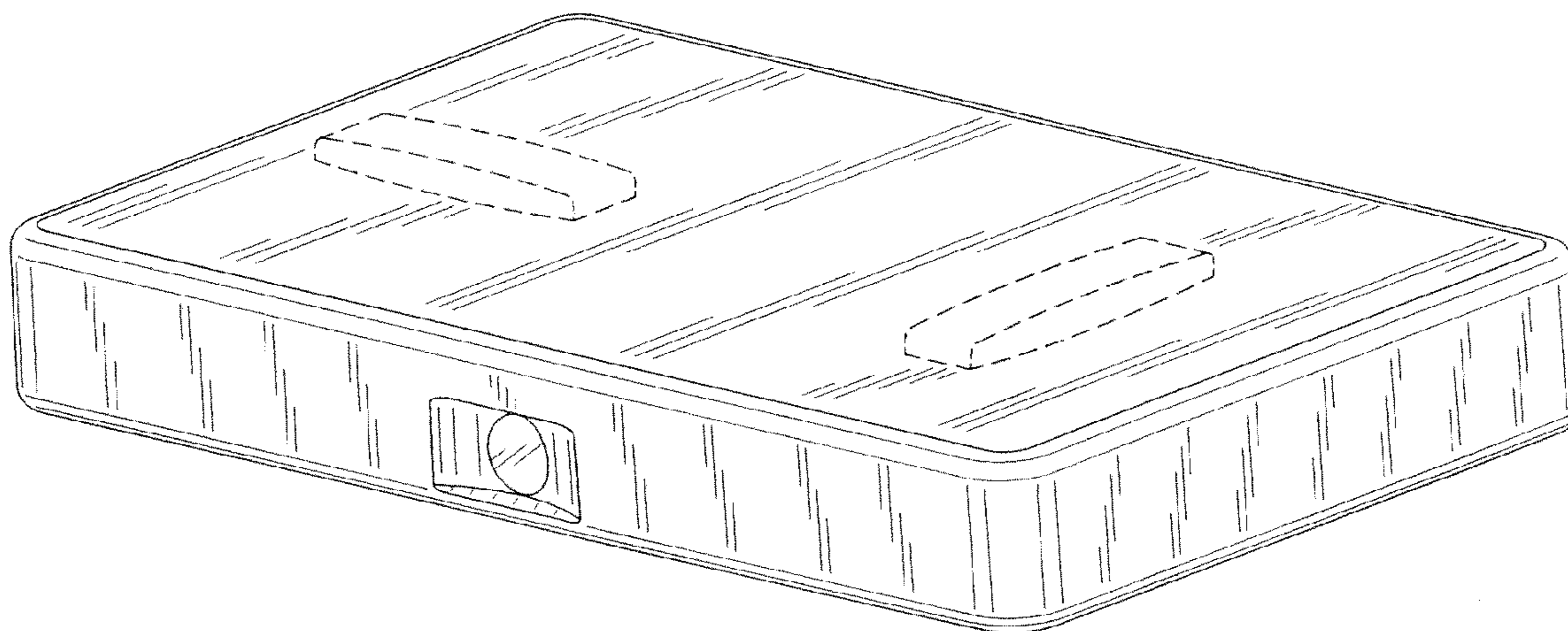
FIG. 5 is a right side view thereof;

FIG. 6 is a top plan view thereof; and,

FIG. 7 is a bottom plan view thereof.

The portions in broken lines are shown for illustrative purposes only and form no part of the claimed design.

1 Claim, 6 Drawing Sheets



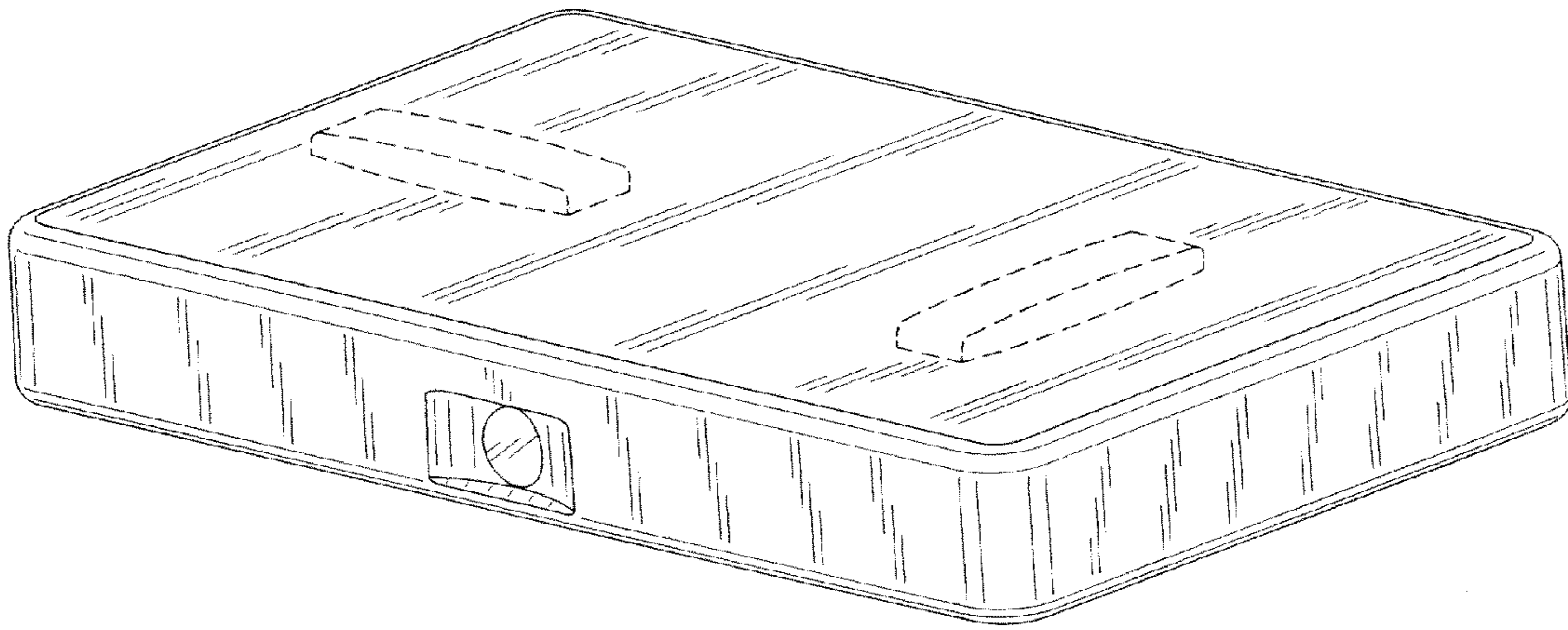


FIG. 1

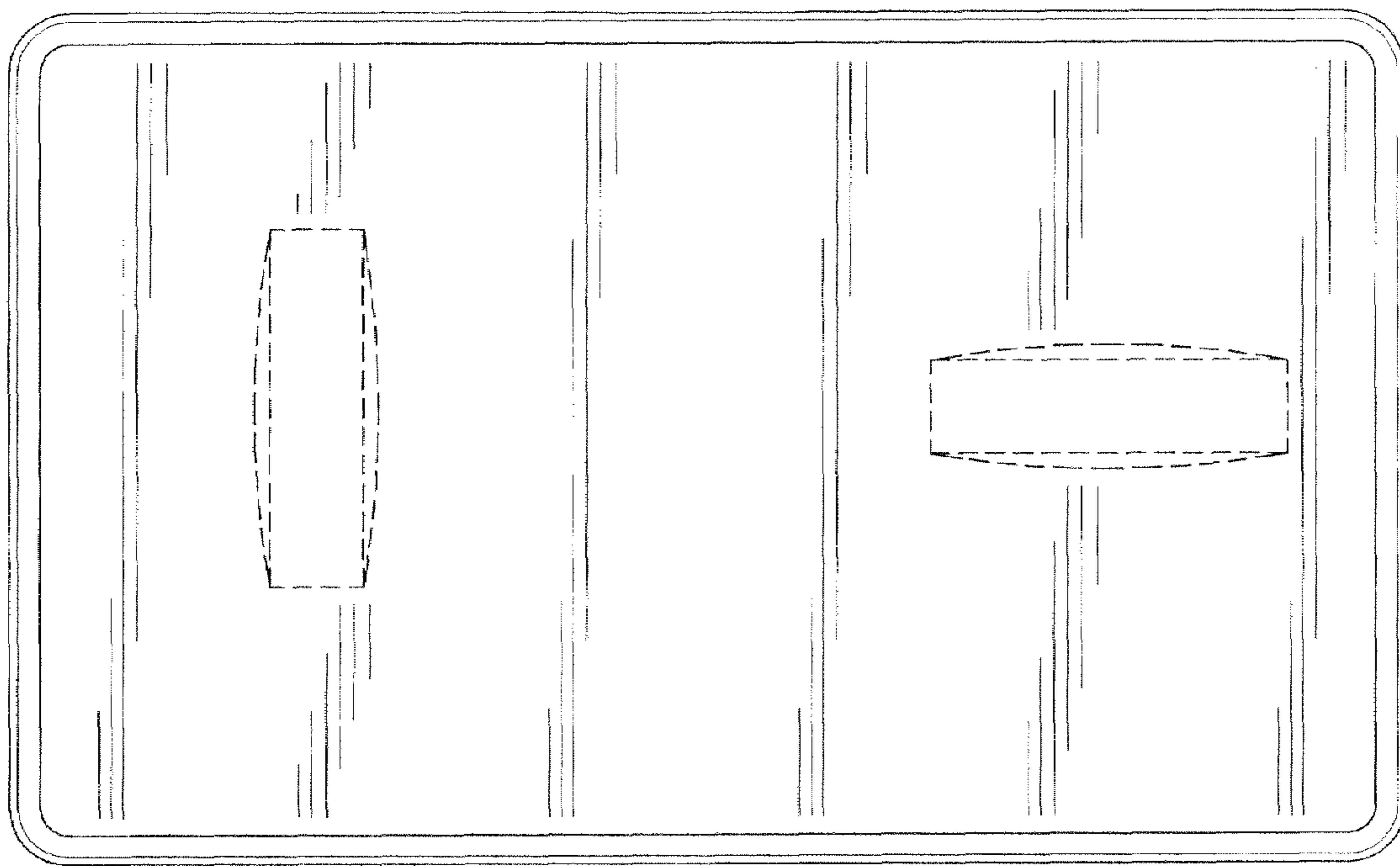


FIG. 2

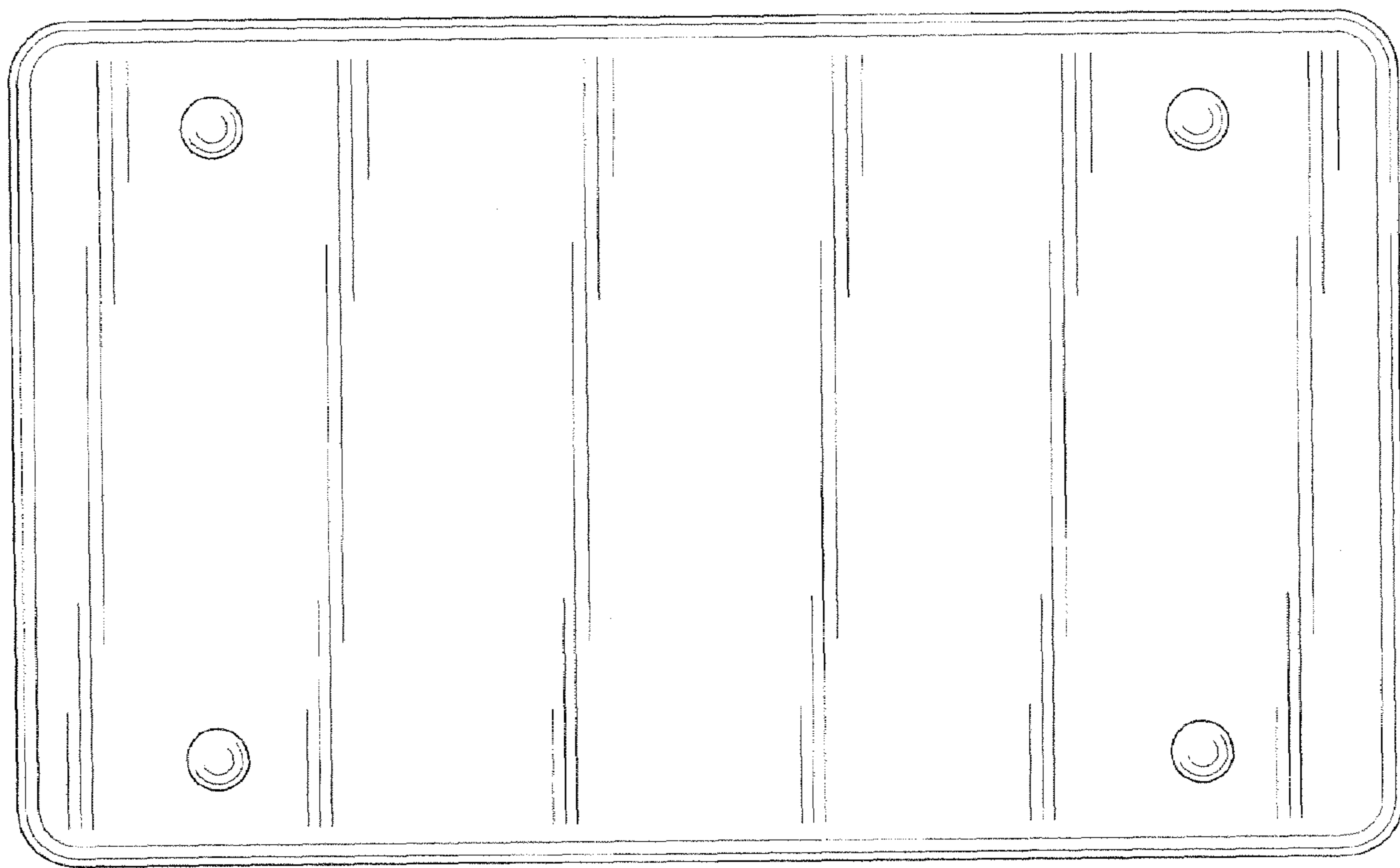


FIG. 3

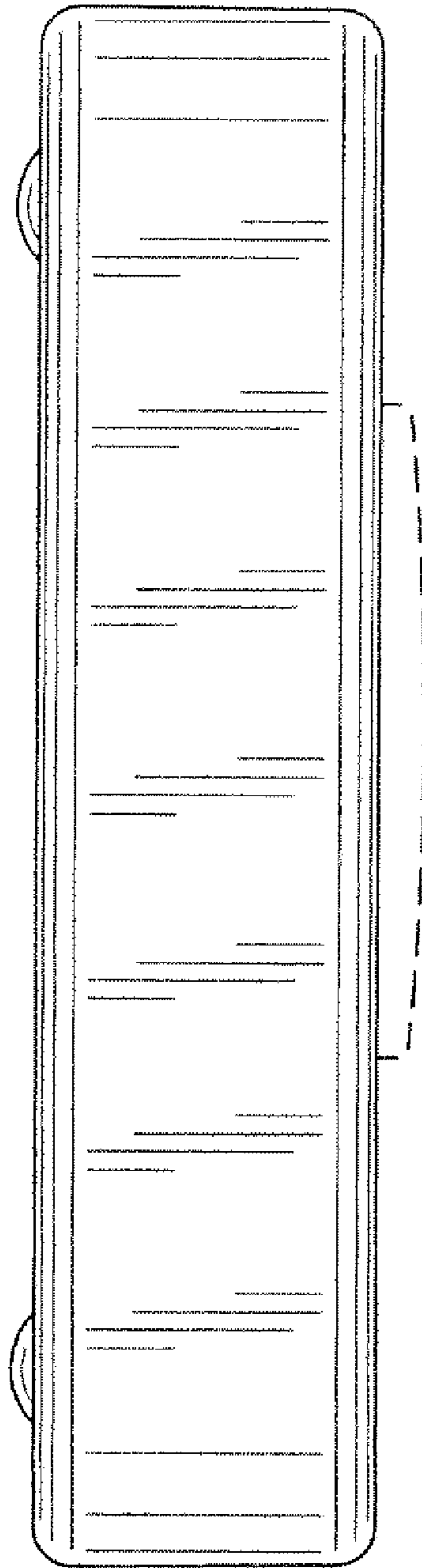


FIG. 4

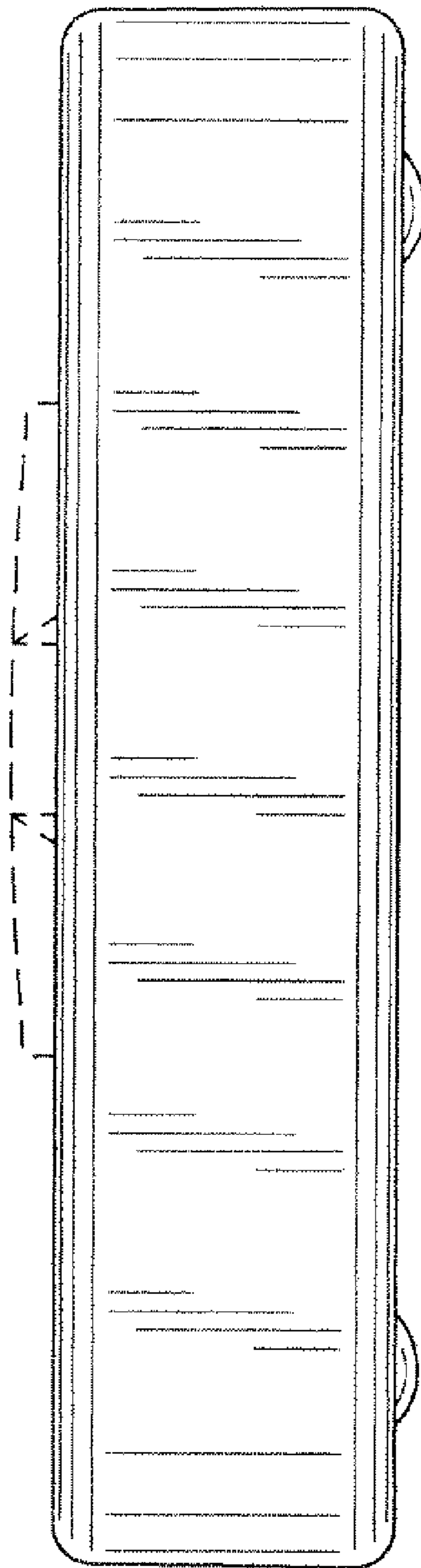


FIG. 5

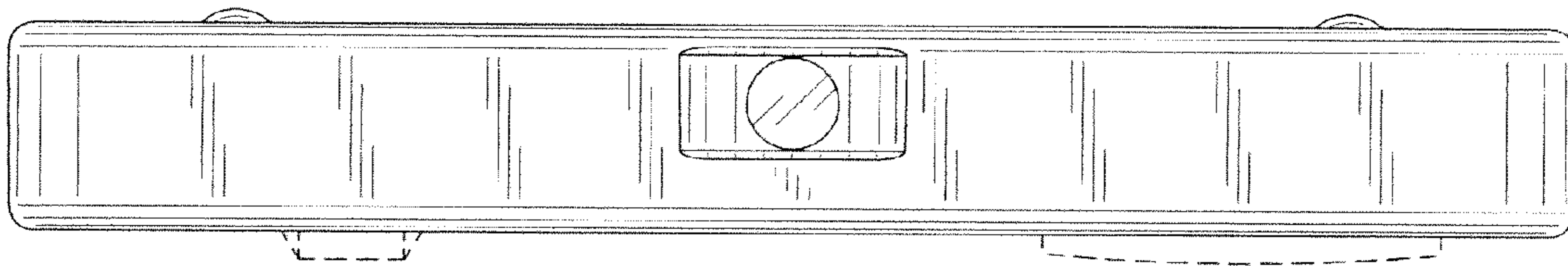


FIG. 6

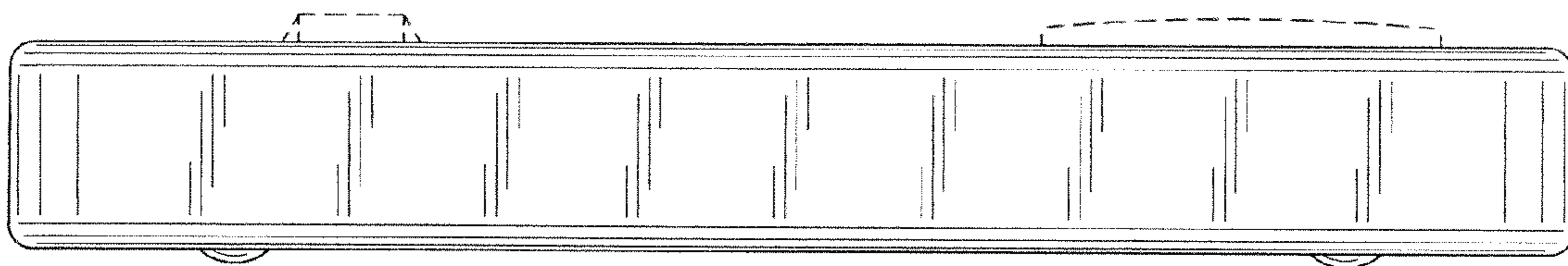


FIG. 7