



US00D583795S

(12) **United States Design Patent**
Keenum et al.

(10) **Patent No.:** **US D583,795 S**

(45) **Date of Patent:** **** Dec. 30, 2008**

(54) **ENCLOSURE FOR HOUSING COMMUNICATIONS EQUIPMENT**

(75) Inventors: **John A. Keenum**, Haltom City, TX (US); **Brad N. Grunwald**, Euless, TX (US); **John J. Napiorski**, Irving, TX (US); **Scott C. Burns**, Keller, TX (US); **Liem H. Higa**, Dallas, TX (US); **Michael K. James**, Fort Worth, TX (US)

(73) Assignee: **Corning Cable Systems, LLC**, Hickory, NC (US)

(**) Term: **14 Years**

(21) Appl. No.: **29/264,332**

(22) Filed: **Aug. 8, 2006**

Related U.S. Application Data

(63) Continuation of application No. 11/439,088, filed on May 23, 2006.

(51) **LOC (8) Cl.** **07-01**

(52) **U.S. Cl.** **D14/140.5; D13/152**

(58) **Field of Classification Search** D13/184, D13/152; D14/140.5, 140.6, 140, 240; 379/22.06, 379/413.01, 413.03, 412; 361/119; 174/50
See application file for complete search history.

(56) **References Cited**

U.S. PATENT DOCUMENTS

D195,338 S	6/1963	Geisen	D26/13
D225,644 S	12/1972	Beach	D26/5
D314,759 S	2/1991	Collins et al.	D13/184
D318,653 S	7/1991	Nieves et al.	D13/184
D337,313 S	7/1993	Davis	D13/184
5,357,565 A *	10/1994	Butler et al.	379/412
D377,339 S *	1/1997	Beruscha et al.	D13/184
5,623,542 A *	4/1997	Schneider et al.	379/413.03
D399,190 S *	10/1998	Dale et al.	D13/184

D401,568 S *	11/1998	Alden et al.	D13/184
5,914,846 A *	6/1999	Smith et al.	361/119
D415,118 S	10/1999	Stanush et al.	D13/184
D421,598 S *	3/2000	Berusha et al.	D13/184
D424,028 S *	5/2000	Vaiani	D13/184
D449,824 S	10/2001	Higa et al.	D13/184
6,535,579 B1	3/2003	Blake et al.	379/22.06
D482,667 S *	11/2003	Yu	D13/184
6,795,552 B1	9/2004	Stanush et al.	379/413.01
6,815,612 B2	11/2004	Bloodworth et al.	174/50
D512,697 S *	12/2005	Enns et al.	D13/184
D543,513 S *	5/2007	Allen et al.	D13/184
D556,145 S *	11/2007	Williams et al.	D13/152
D560,170 S *	1/2008	Ni	D13/152

* cited by examiner

Primary Examiner—Charles A Rademaker

(74) *Attorney, Agent, or Firm*—John H. Vynalek

(57) **CLAIM**

The ornamental design for an enclosure for housing communications equipment, as shown and described.

DESCRIPTION

FIG. 1 is a front elevation of an enclosure for housing communications equipment showing our new design;

FIG. 2 is a rear elevation view thereof;

FIG. 3 is a top plan view thereof;

FIG. 4 is a bottom plan view thereof;

FIG. 5 is a left side elevation view thereof;

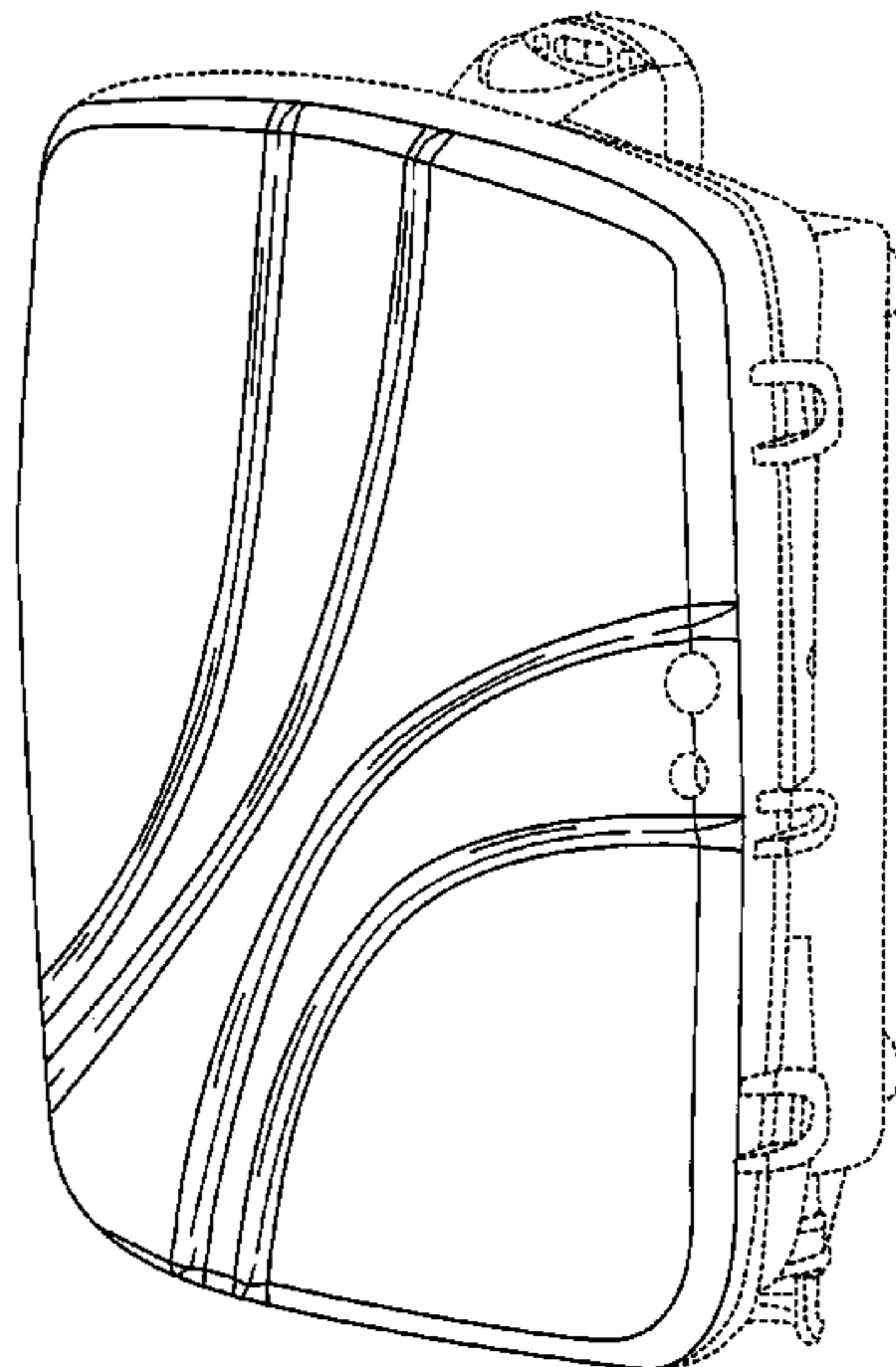
FIG. 6 is a right side elevation view thereof;

FIG. 7 is front-right-top perspective view thereof; and,

FIG. 8 is front-right-bottom perspective view thereof.

The broken lines shown in the figure drawings represent environmental structure and are included for purposes of illustration and form no part of the claimed design.

1 Claim, 6 Drawing Sheets



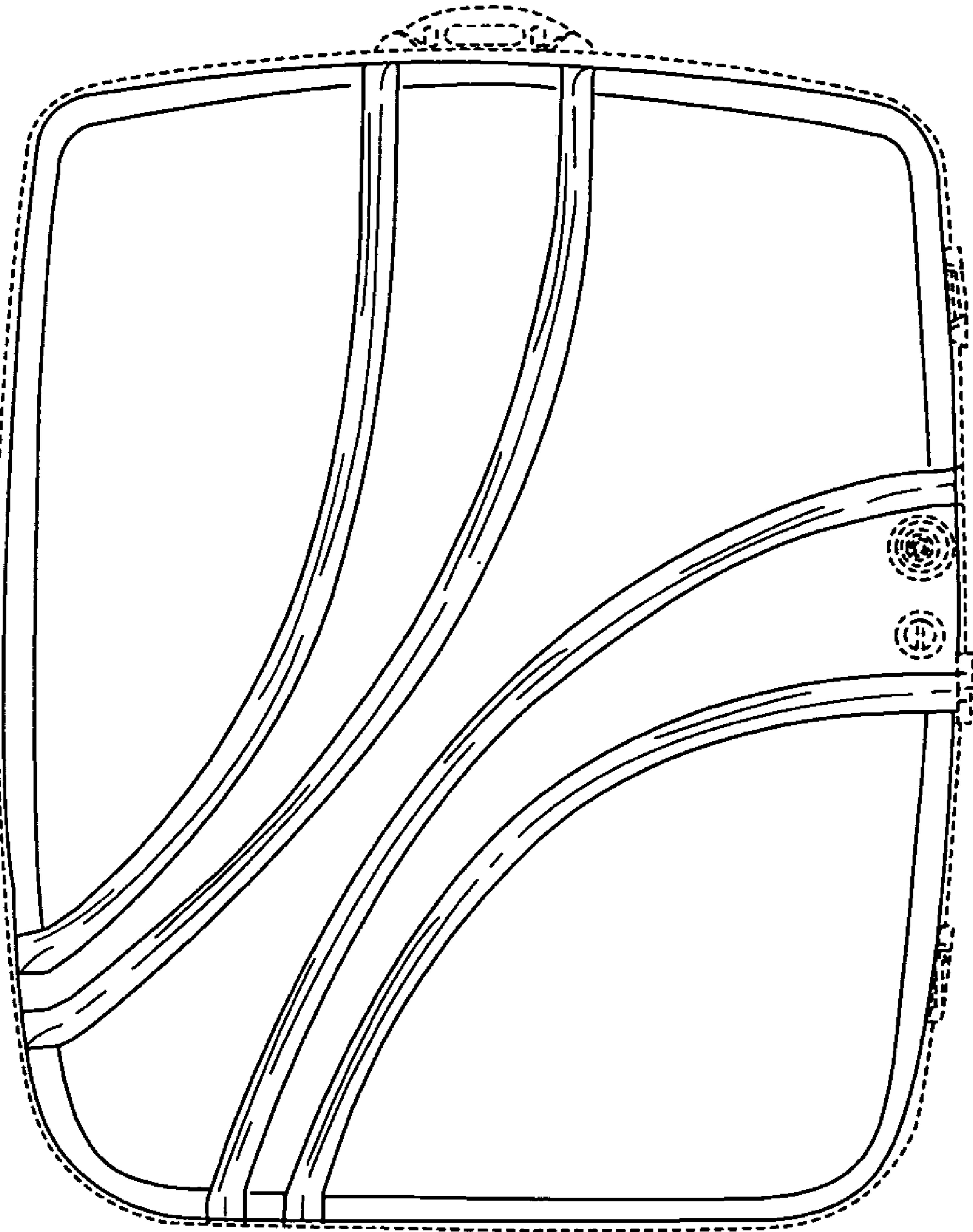


FIG. 1

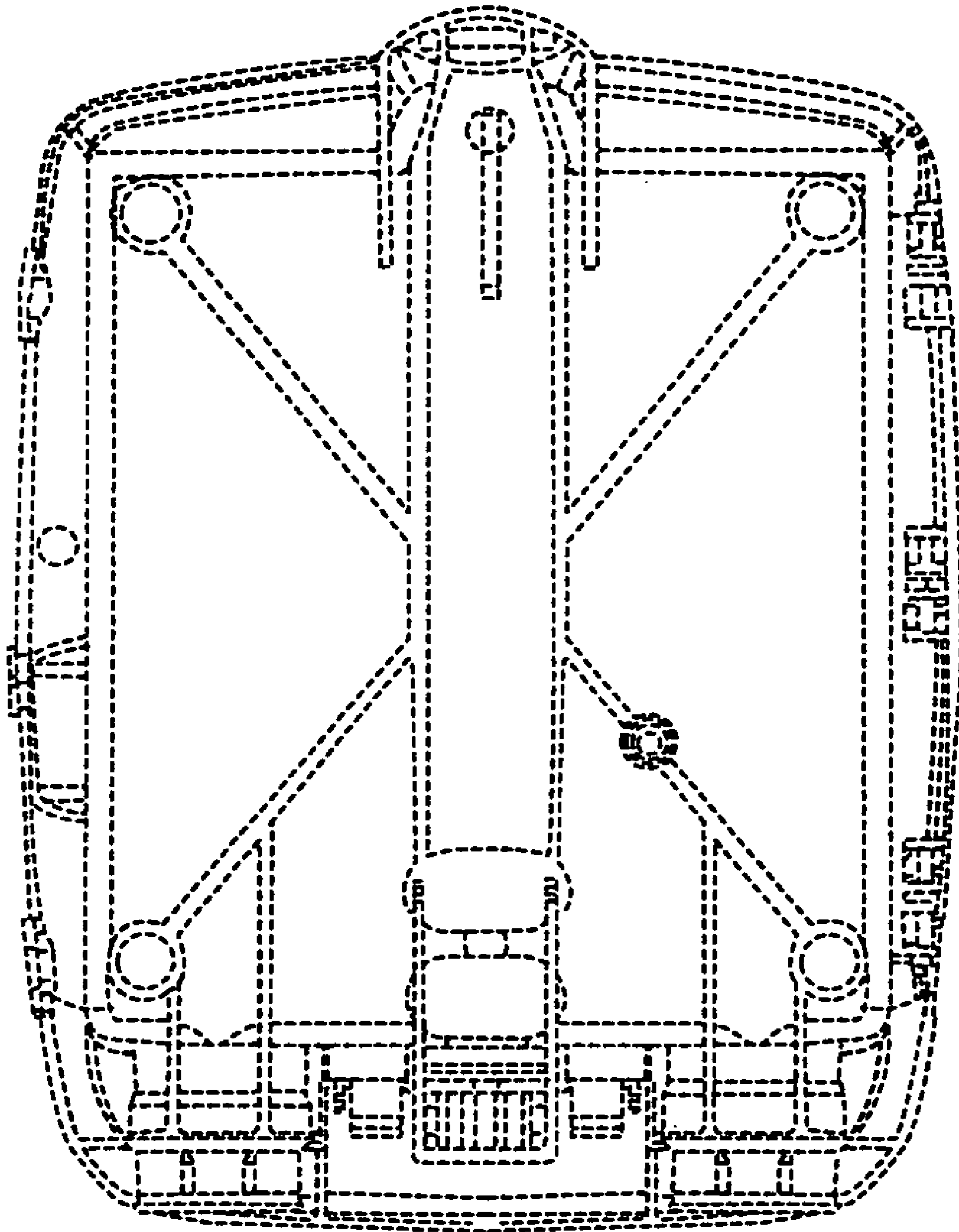


FIG. 2

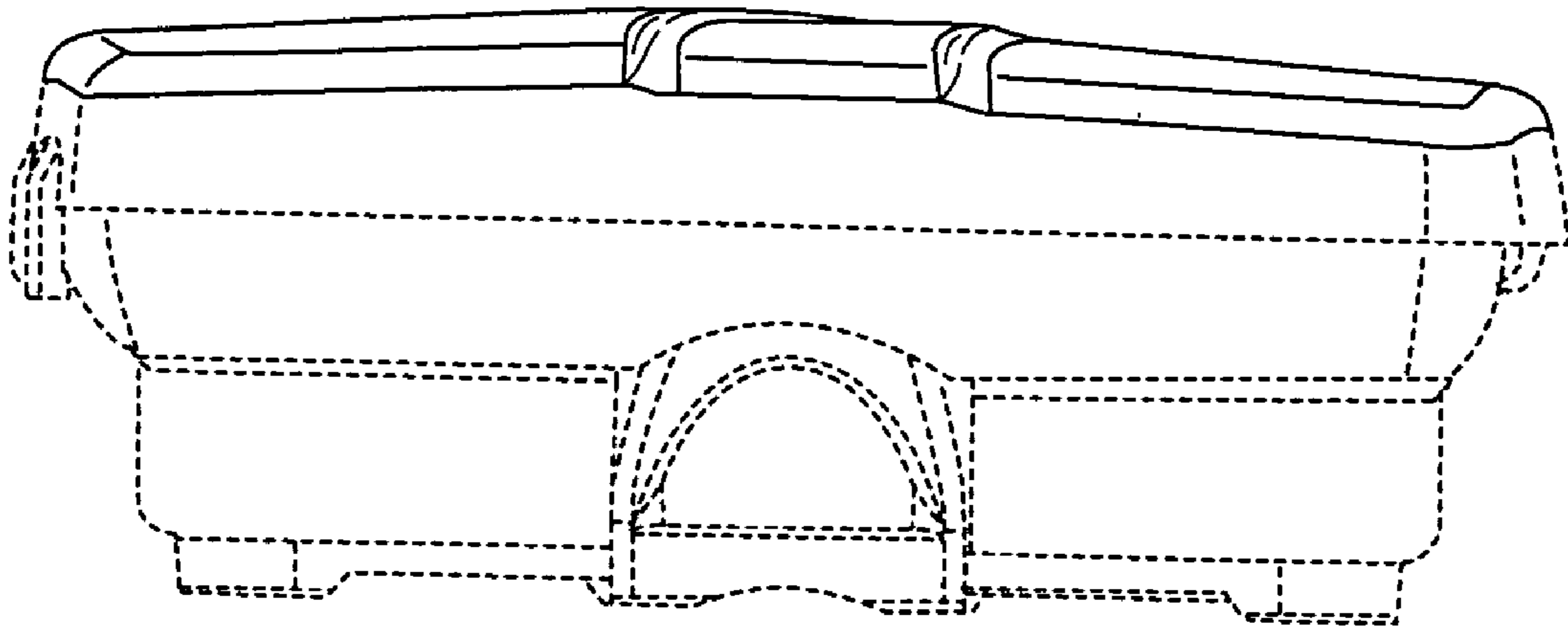


FIG. 3

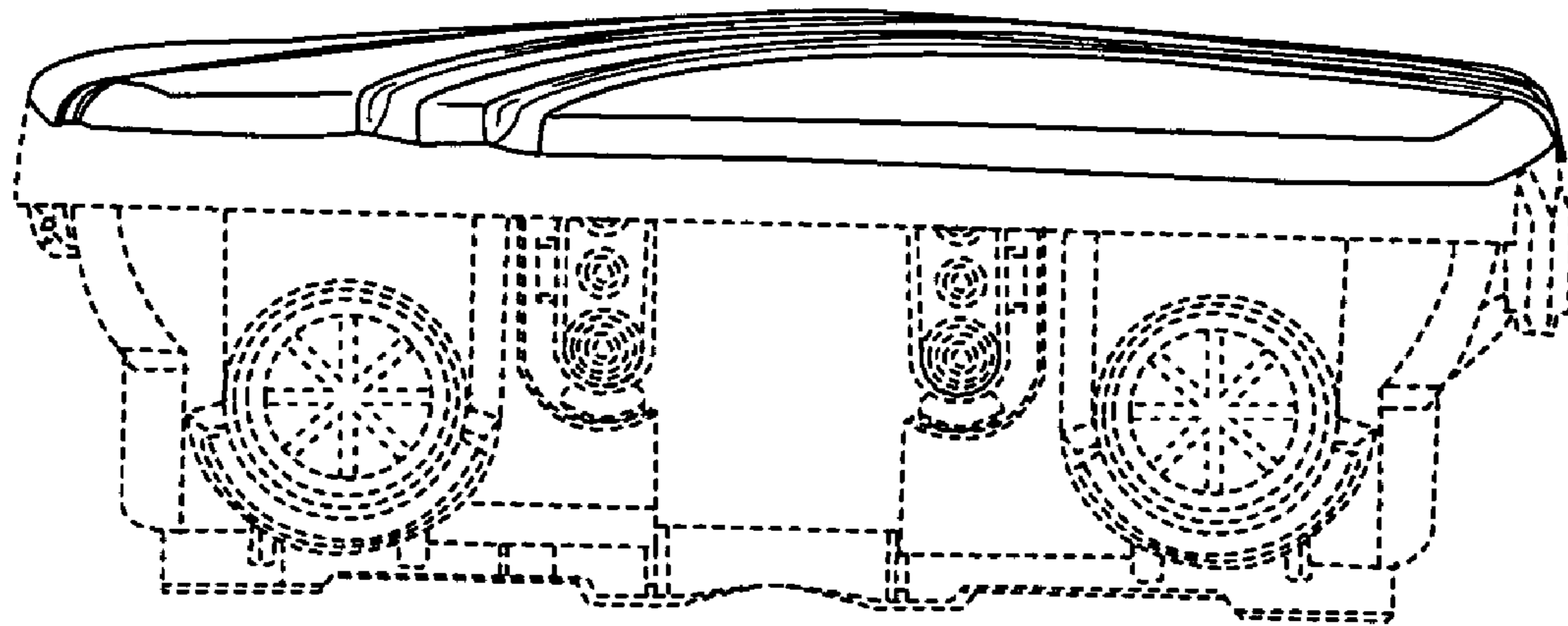


FIG. 4

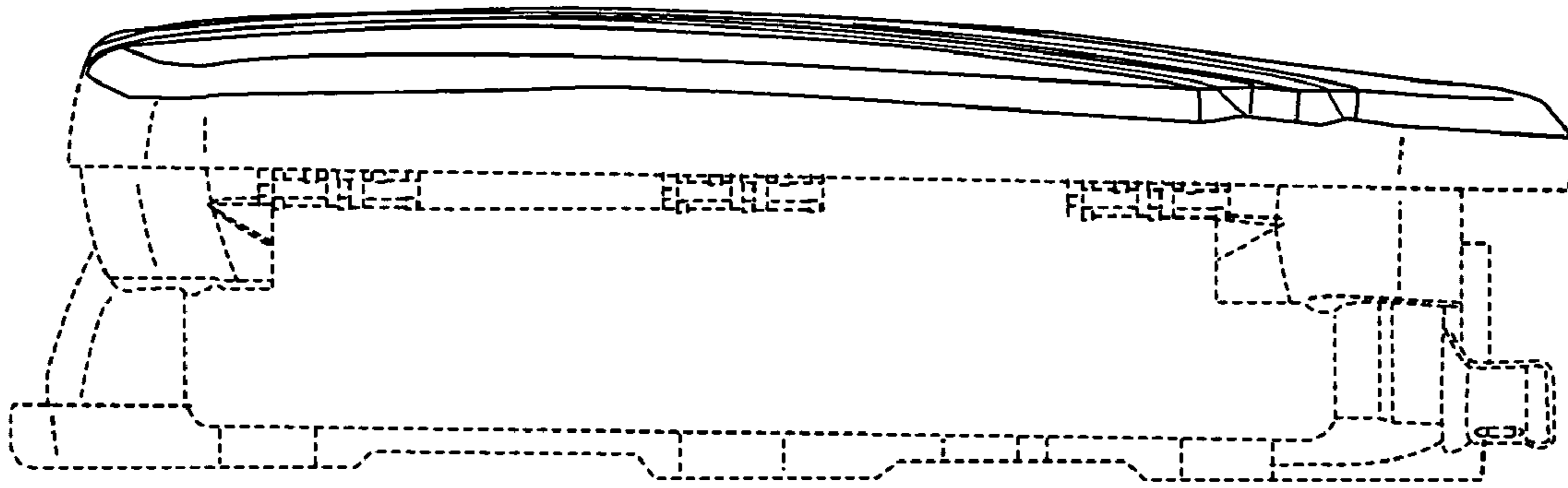


FIG. 5

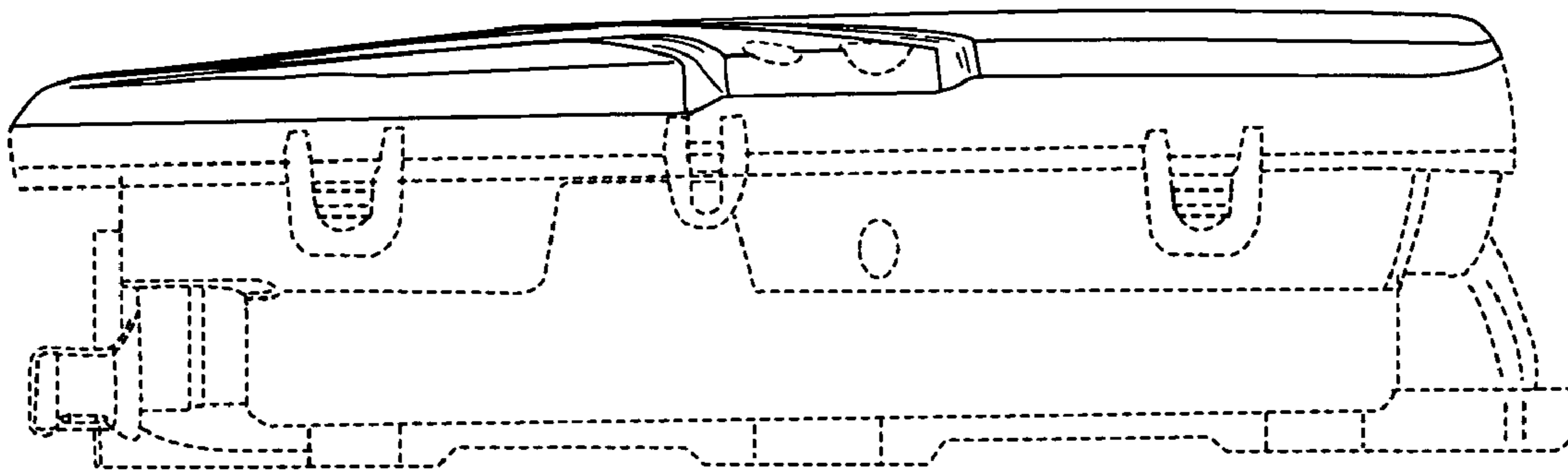


FIG. 6

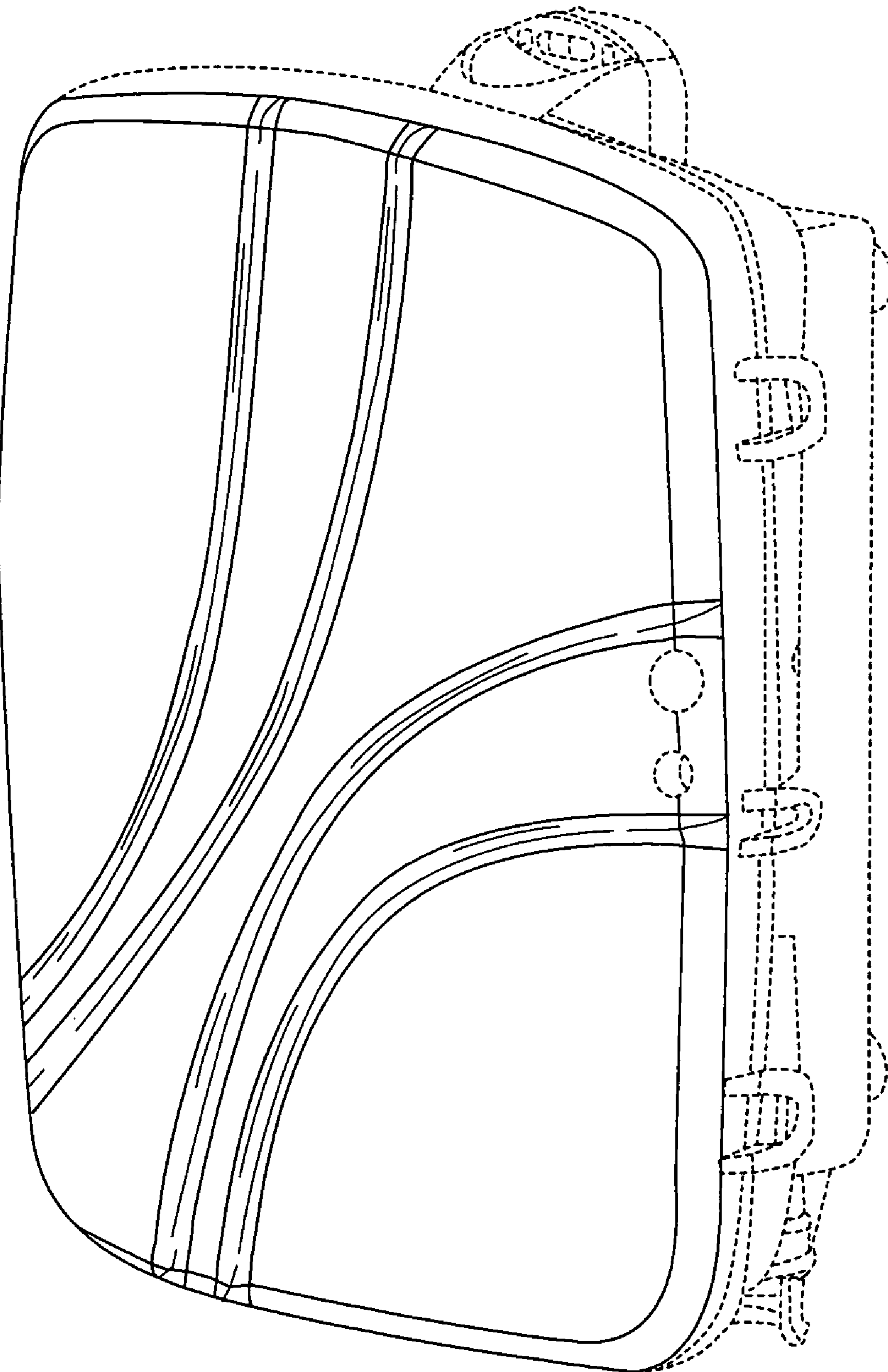


FIG. 7

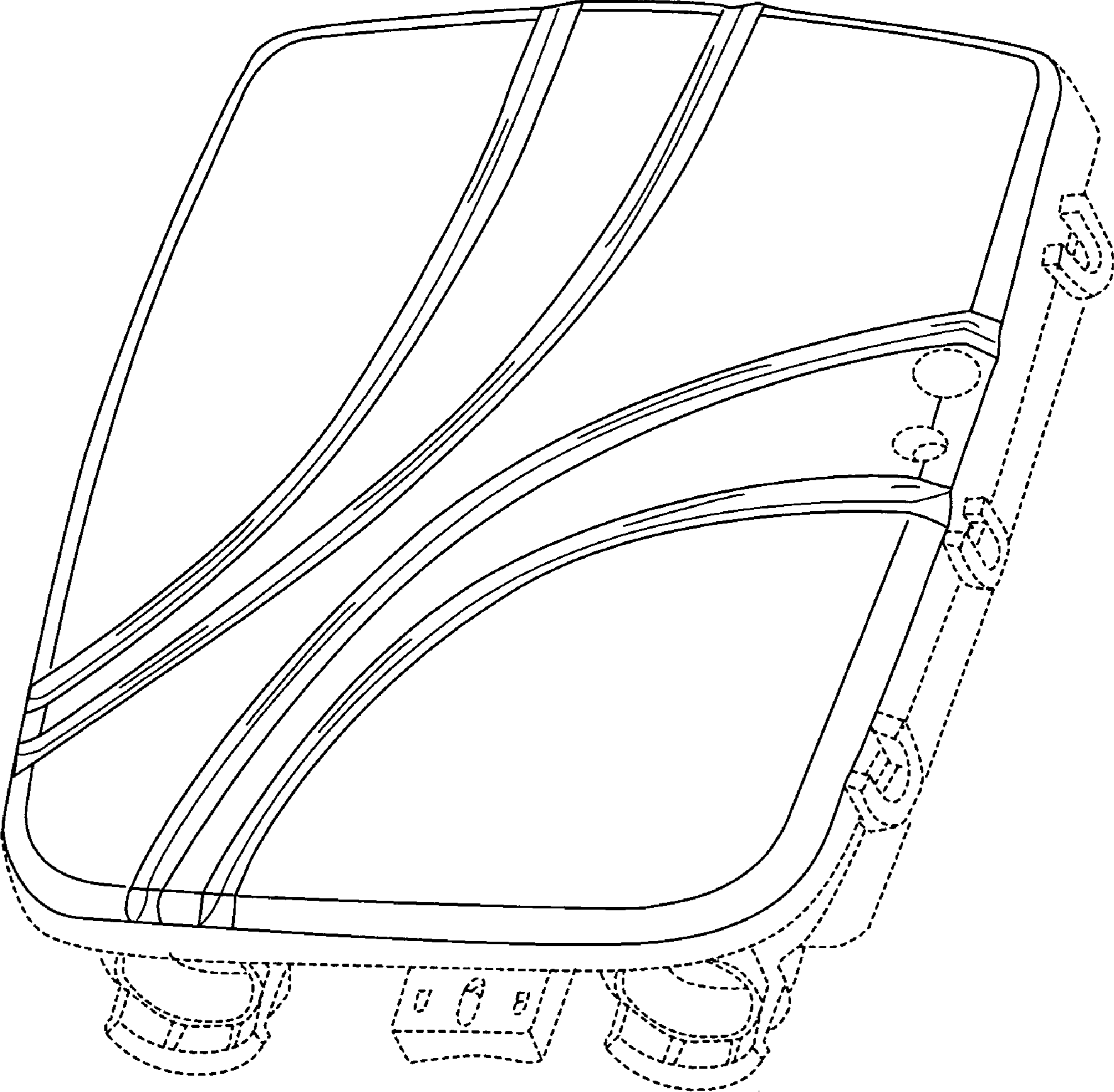


FIG. 8