



US00D583783S

(12) **United States Design Patent**
Daley et al.

(10) **Patent No.:** **US D583,783 S**
(45) **Date of Patent:** **** Dec. 30, 2008**

(54) **PHONE**

(75) Inventors: **Michael E. Daley**, Leawood, KS (US);
Yat-Sang Hung, San Diego, CA (US)

(73) Assignee: **Sprint Spectrum L.P.**, Overland Park,
KS (US)

(**) Term: **14 Years**

(21) Appl. No.: **29/267,675**

(22) Filed: **Oct. 17, 2006**

(51) **LOC (8) Cl.** **14-03**

(52) **U.S. Cl.** **D14/138**

(58) **Field of Classification Search** D14/137,
D14/138, 147, 218, 341-347; 455/90.3,
455/556.1, 556.2, 575.1, 575.3, 575.4; 379/433.01-433.13;
361/814; 348/14.02

See application file for complete search history.

(56) **References Cited**

U.S. PATENT DOCUMENTS

D398,925 S *	9/1998	Wicks	D14/138
D401,233 S *	11/1998	Yamaguchi	D14/138
5,915,228 A *	6/1999	Kunihiro et al.	455/575.1
D426,221 S *	6/2000	Shindo	D14/156
D435,837 S *	1/2001	Suzuki et al.	D14/138
D464,632 S *	10/2002	Nagai et al.	D14/138
6,546,231 B1 *	4/2003	Someya et al.	455/550.1
D475,987 S *	6/2003	Lee et al.	D14/138
D486,814 S *	2/2004	Nakamura	D14/167
D496,017 S *	9/2004	Hsu et al.	D14/138
D506,737 S *	6/2005	Koo et al.	D14/138
D507,277 S *	7/2005	Sitoh	D14/496
D507,551 S *	7/2005	Kim et al.	D14/138
D508,035 S *	8/2005	Kim et al.	D14/138
D521,970 S *	5/2006	Han et al.	D14/138
D525,224 S *	7/2006	Pitt et al.	D14/138
D536,320 S *	2/2007	Michaels	D14/138
D537,803 S *	3/2007	Lee et al.	D14/138
D545,294 S *	6/2007	Hwang	D14/138
2002/0187818 A1 *	12/2002	Kang	455/575

2004/0097277 A1 *	5/2004	Shimamura	455/575.3
2004/0109559 A1 *	6/2004	Lee	379/433.04
2004/0204145 A1 *	10/2004	Nagatomo	455/566
2006/0003817 A1 *	1/2006	Lee et al.	455/575.3

OTHER PUBLICATIONS

Samsung A110, announced 2000, [online], [retrieved on Nov. 29, 2007]. Retrieved from Internet ,<URL: <http://www.gsmarena.com>>.*

Philips 330, announced 2nd quarter 2003, [online], [retrieved on Nov. 30, 2007]. Retrieved from Internet ,<URL: <http://www.gsmarena.com>>.*

Sharp 703, announced Jul. 2005, [online], [retrieved on Nov. 30, 2007]. Retrieved from Internet ,<URL: <http://www.gsmarena.com>>.*

* cited by examiner

Primary Examiner—Jeffrey D. Asch
Assistant Examiner—Bridget L Eland

(57) **CLAIM**

The ornamental design for a phone, as shown and described.

DESCRIPTION

FIG. 1 is a front perspective view of a phone in an open position;

FIG. 2 is a rear perspective view of the phone shown in FIG. 1;

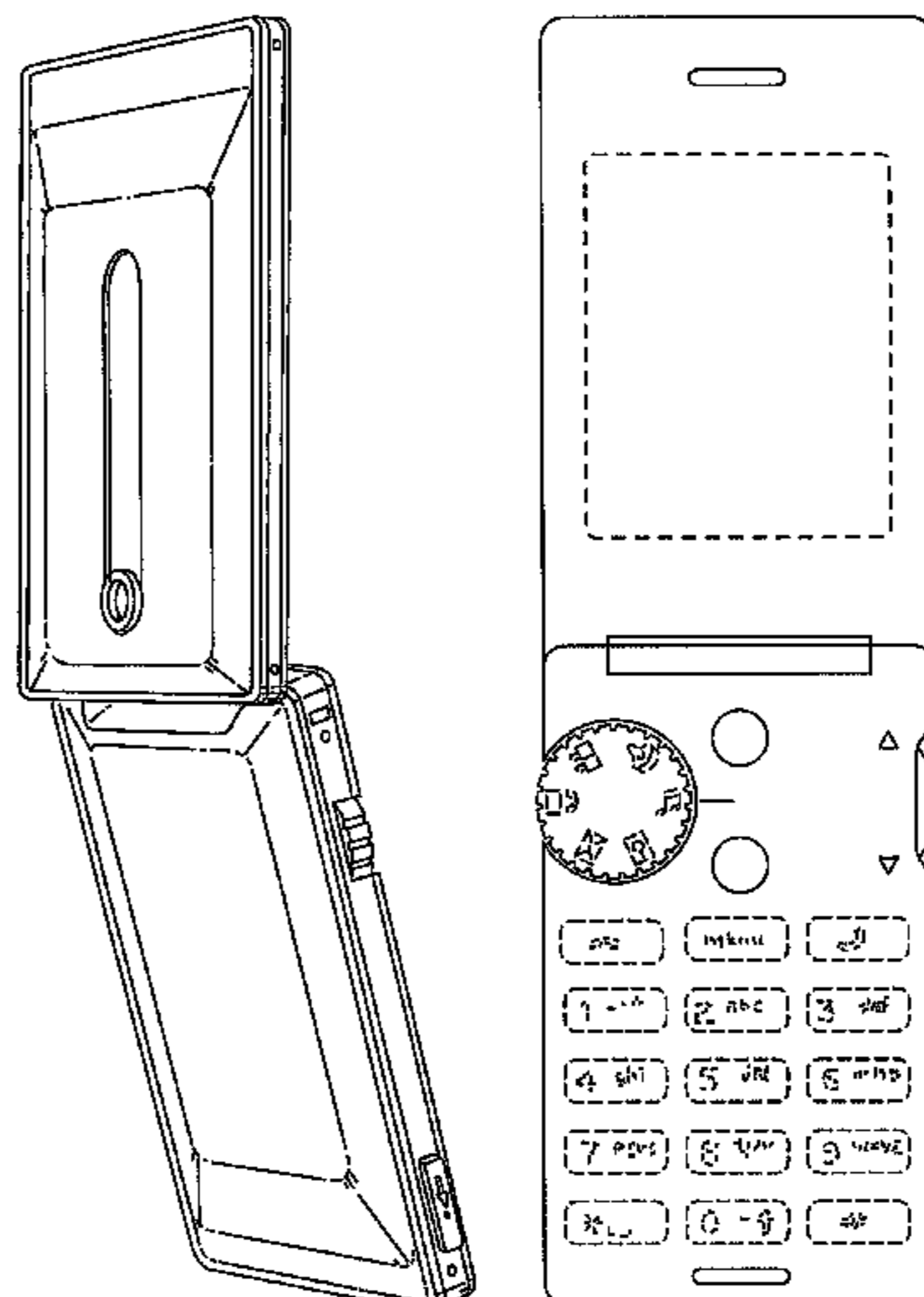
FIG. 3 is a front elevational view of the phone shown in FIG. 1;

FIG. 4 is a side elevational view of the phone shown in FIG. 1; and,

FIG. 5 is a front perspective view of the phone shown in FIG. 1 in a closed position.

The outermost broken lines of the display and the individual keys represent the bounds of the claimed design, all the other broken lines are directed to environment and are for illustrative purposes only; the broken lines form no part of the claimed design.

1 Claim, 3 Drawing Sheets



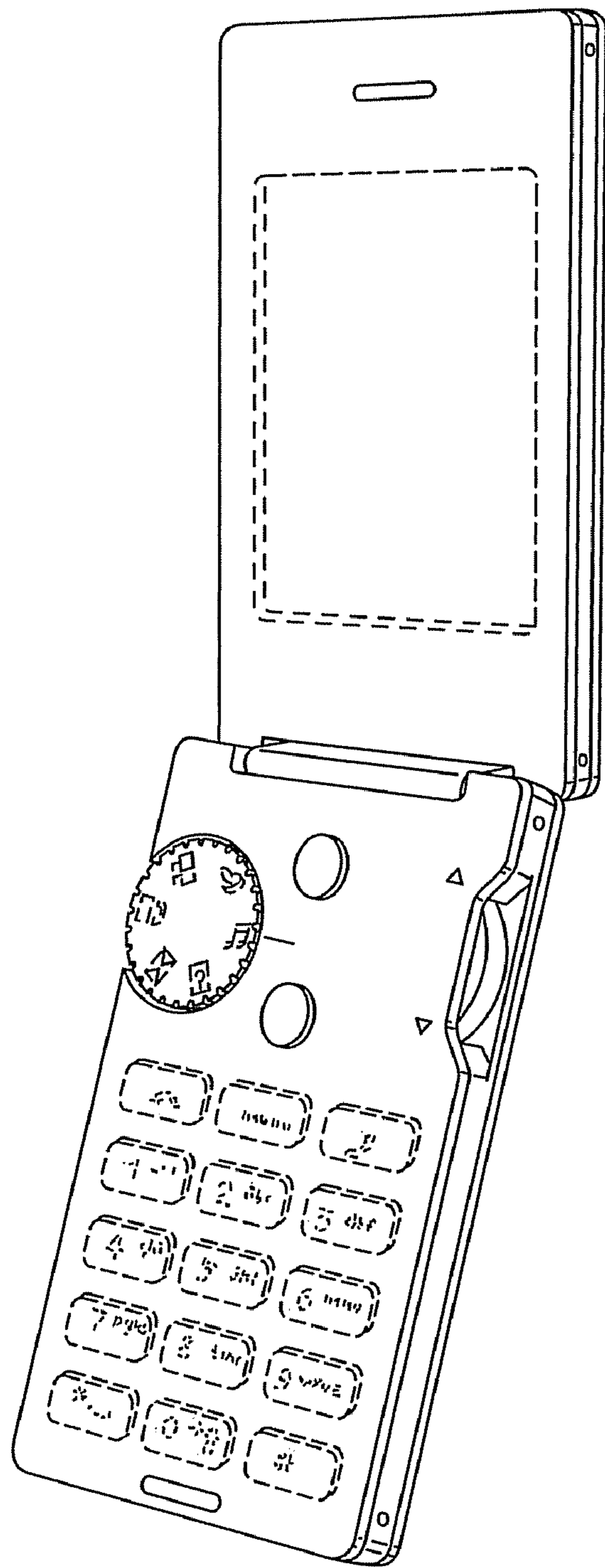


FIG. 1

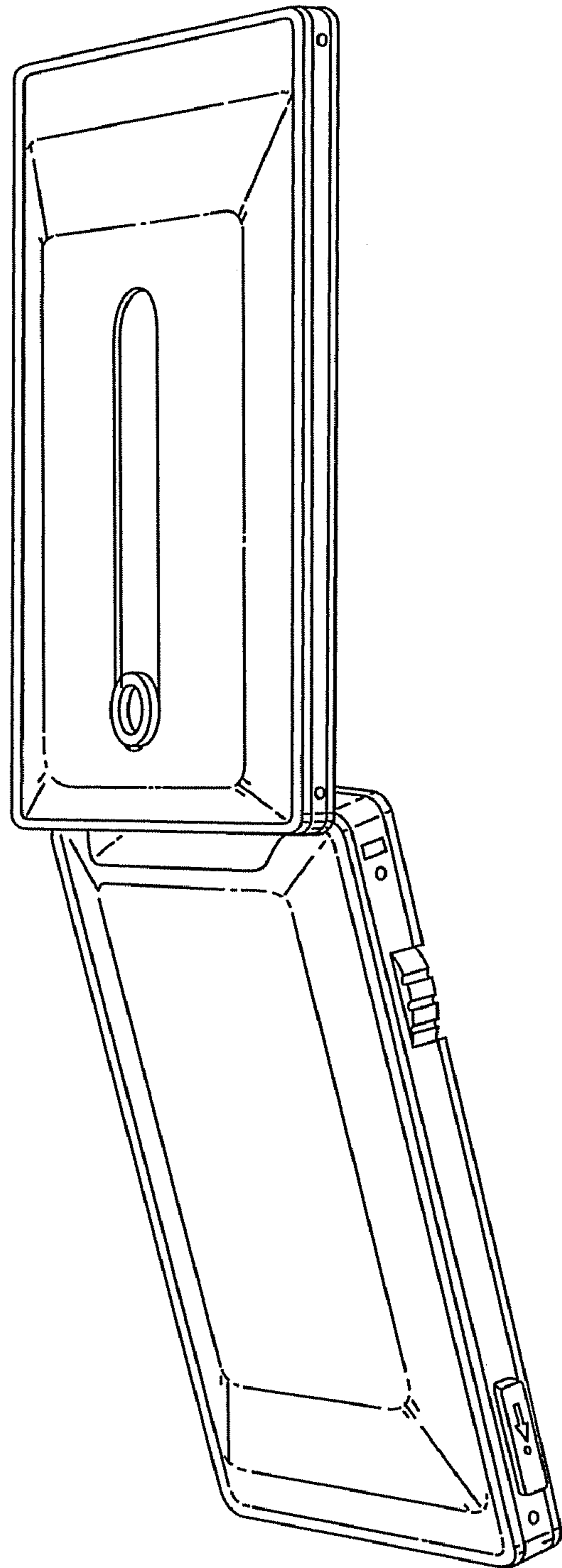


FIG. 2

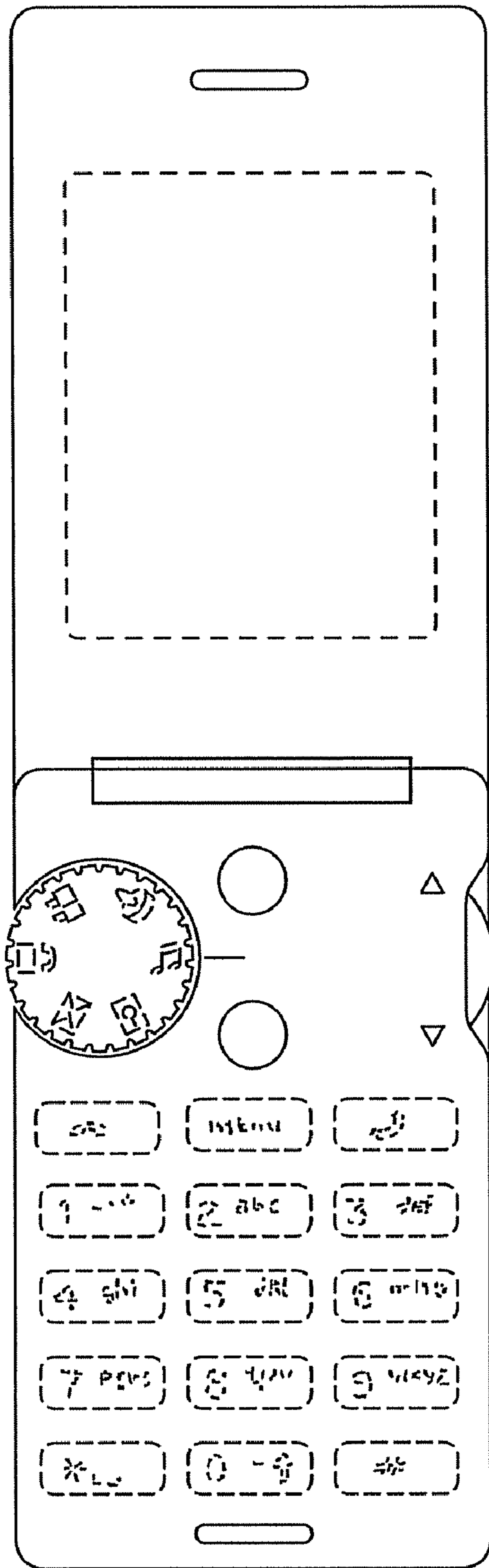


FIG. 3

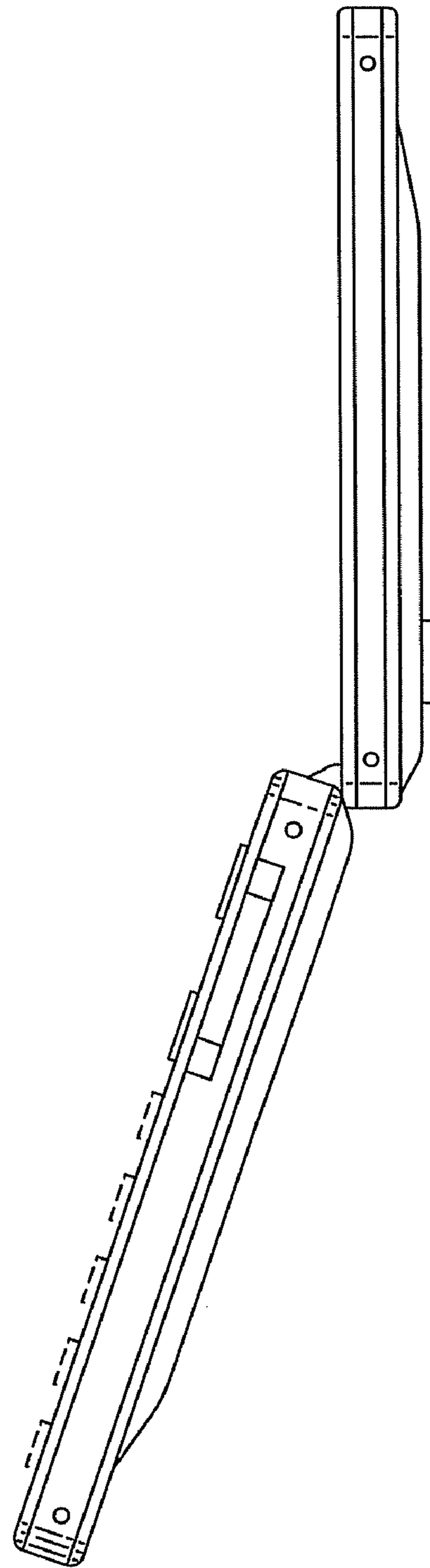


FIG. 4

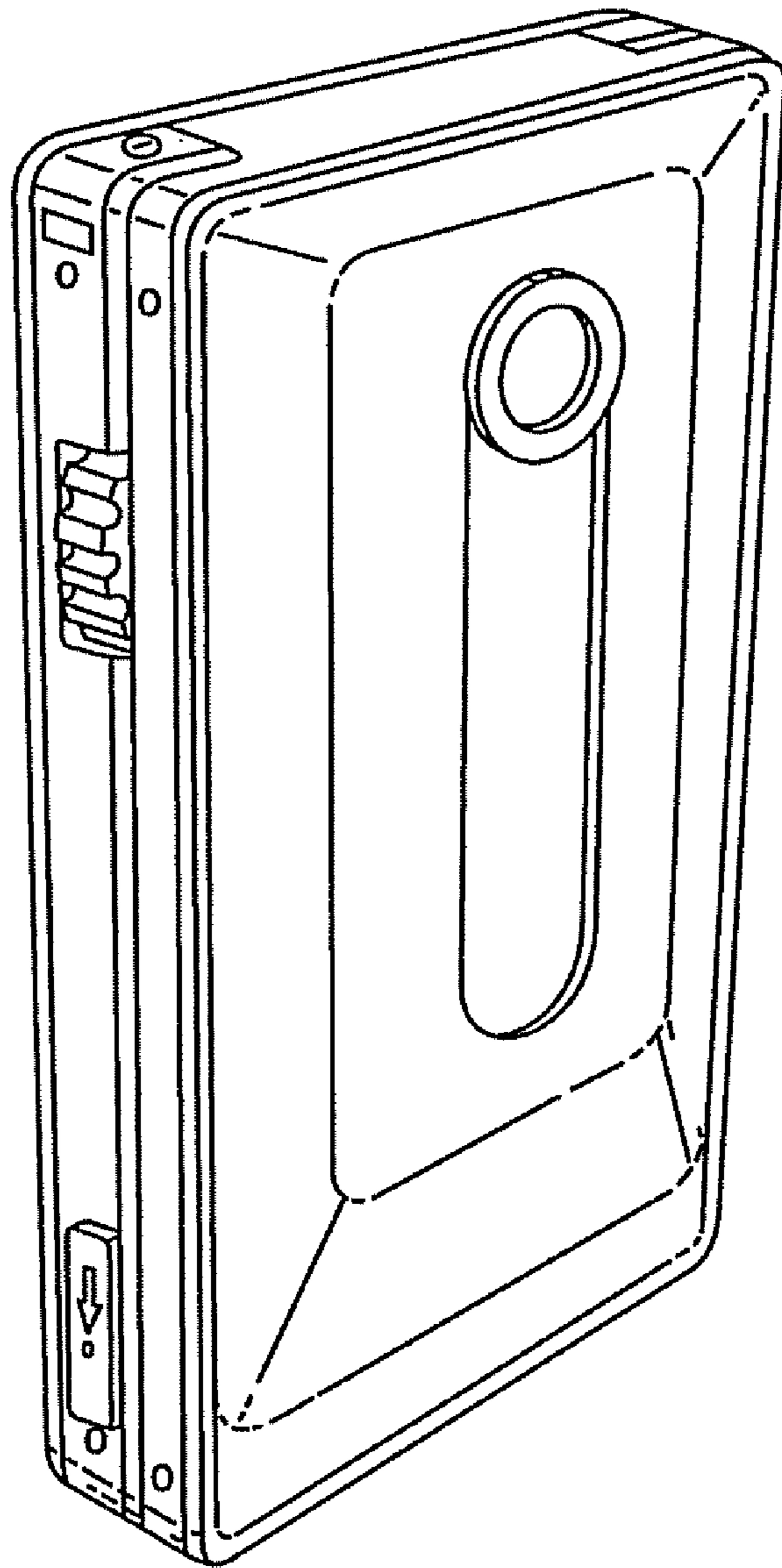


FIG. 5