



US00D583782S

(12) **United States Design Patent**  
**Jacobs et al.**

(10) **Patent No.:** **US D583,782 S**

(45) **Date of Patent:** **\*\* \*Dec. 30, 2008**

(54) **PORTABLE PHONE**

(75) Inventors: **Paul E. Jacobs**, La Jolla, CA (US);  
**Steven Mergenthaler**, Carlsbad, CA  
(US); **Theodore R. Santos**, Boulder, CO  
(US); **Gad Shaanan**, La Jolla, CA (US);  
**Francois Duval**, Terrebonne (CA); **Yvan  
Brousseau**, Montreal (CA)

(73) Assignee: **QUALCOMM Incorporated**, San  
Diego, CA (US)

(\*\*) Term: **14 Years**

(21) Appl. No.: **29/207,779**

(22) Filed: **Jun. 18, 2004**

(51) **LOC (8) Cl.** ..... **14-03**

(52) **U.S. Cl.** ..... **D14/138 AD**

(58) **Field of Classification Search** ..... D14/191,  
D14/138, 147-148, 247-248, 144, 496, 156,  
D14/341-347; 379/433.1-433.13; 455/575.3,  
455/566, 575.1, 556.1, 556.2, 90.3; D21/517;  
D16/208

See application file for complete search history.

(56) **References Cited**

**U.S. PATENT DOCUMENTS**

D466,096	S	*	11/2002	Takada	.....	D14/138
D476,327	S	*	6/2003	Lewis et al.	.....	D14/331
D484,503	S	*	12/2003	Duarte et al.	.....	D14/346
D493,156	S	*	7/2004	Hamann et al.	.....	D14/138
D495,310	S	*	8/2004	Husgafvel	.....	D14/138
6,822,871	B2	*	11/2004	Lee et al.	.....	361/727
D501,475	S	*	2/2005	Kim	.....	D14/346
D506,753	S	*	6/2005	Duarte et al.	.....	D14/346
D508,473	S	*	8/2005	Lee et al.	.....	D14/138
D508,687	S	*	8/2005	Lee	.....	D14/138

(Continued)

**OTHER PUBLICATIONS**

Qtek 9100 telephone, announced 3rd quarter 2005, [online],  
[retrieved on Oct. 26, 2006]. Retrieved from Internet, <URL: http://  
www.gsmarena.com>.\*

*Primary Examiner*—Jeffrey D Asch

(74) *Attorney, Agent, or Firm*—Nicholas A. Cole; Robert J.  
O'Connell; Thomas Rouse

(57) **CLAIM**

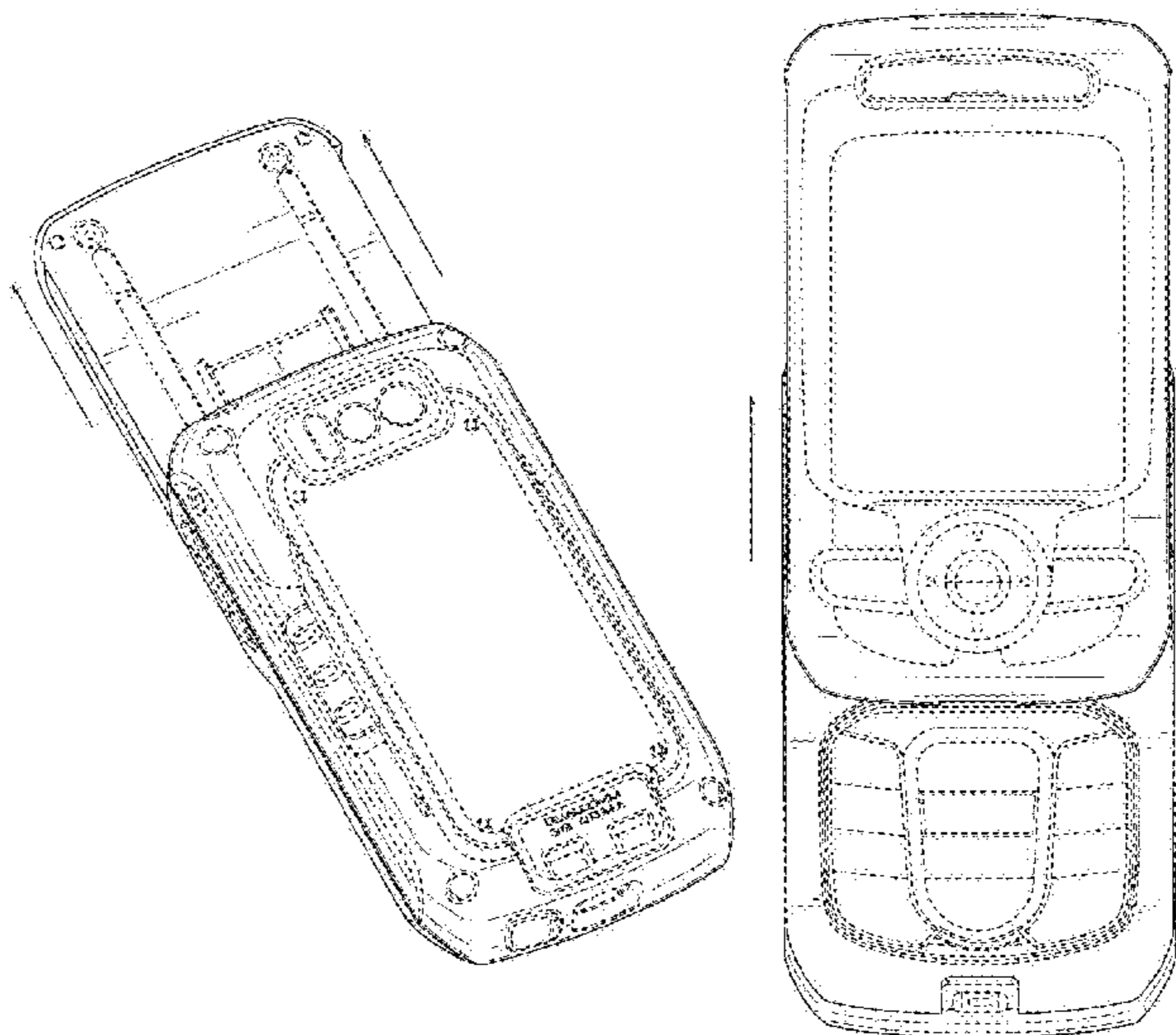
We claim the ornamental design for a portable phone, as  
shown and described.

**DESCRIPTION**

FIG. 1 is a front perspective view of a portable phone;  
FIG. 2 is a front perspective view thereof, with the top-most  
portion slid upward into an alternate position for use;  
FIG. 3 is a rear perspective view thereof, with the top-most  
portion slid upward into an alternate position for use;  
FIG. 4 is a front elevation view thereof, with the top-most  
portion slid upward into an alternate position for use;  
FIG. 5 is a right side elevation view thereof, with the top-most  
portion slid upward into an alternate position for use;  
FIG. 6 is a front perspective view thereof, with the bottom-  
most portion slid sideways into an alternate position for use;  
FIG. 7 is a rear perspective view thereof, with the bottom-  
most portion slid sideways into an alternate position for use;  
FIG. 8 is a front elevation view thereof, with the bottom-most  
portion slid sideways into an alternate position for use; and,  
FIG. 9 is a bottom plan view thereof, with the bottom-most  
portion slid sideways into an alternate position for use.

The broken lines immediately adjacent the shaded areas rep-  
resent the bounds of the claimed design while all other broken  
lines are directed toward environment and are for illustrative  
purposes only; the broken lines form no part of the claimed  
design.

**1 Claim, 9 Drawing Sheets**



# US D583,782 S

Page 2

---

## U.S. PATENT DOCUMENTS

D509,204 S *	9/2005	Michler .....	D14/138	2003/0064688 A1*	4/2003	Mizuta et al. ....	455/90
D509,206 S *	9/2005	Jang .....	D14/138	2005/0009581 A1*	1/2005	Im et al. ....	455/575.4
D526,300 S *	8/2006	Lee .....	D14/138	2005/0059438 A1*	3/2005	Jellicoe .....	455/575.1
D526,302 S *	8/2006	Kim .....	D14/138	2005/0070348 A1*	3/2005	Lee et al. ....	455/575.4
D527,000 S *	8/2006	Hong et al. ....	D14/346	2005/0090298 A1*	4/2005	Park et al. ....	455/575.4
D527,365 S *	8/2006	Jang .....	D14/138	2005/0107119 A1*	5/2005	Lee et al. ....	455/556.1
D527,717 S *	9/2006	Kim .....	D14/138	2005/0250532 A1*	11/2005	Hwang et al. ....	455/550.1
D529,465 S *	10/2006	Kim et al. ....	D14/138	2005/0255897 A1*	11/2005	Lee et al. ....	455/575.4
D529,886 S *	10/2006	Jang .....	D14/138	2005/0266897 A1*	12/2005	Ahn et al. ....	455/575.1

\* cited by examiner

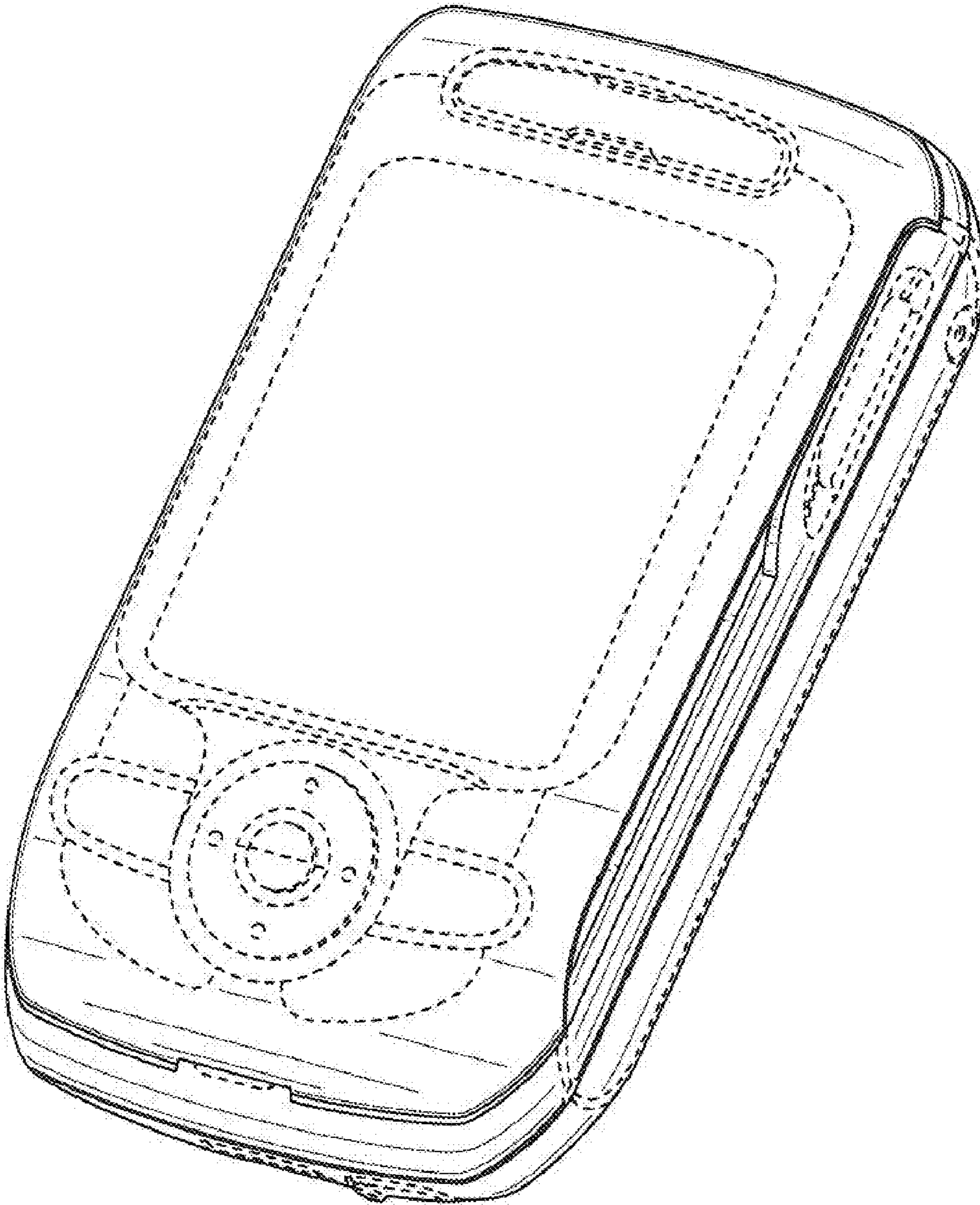


FIG. 1

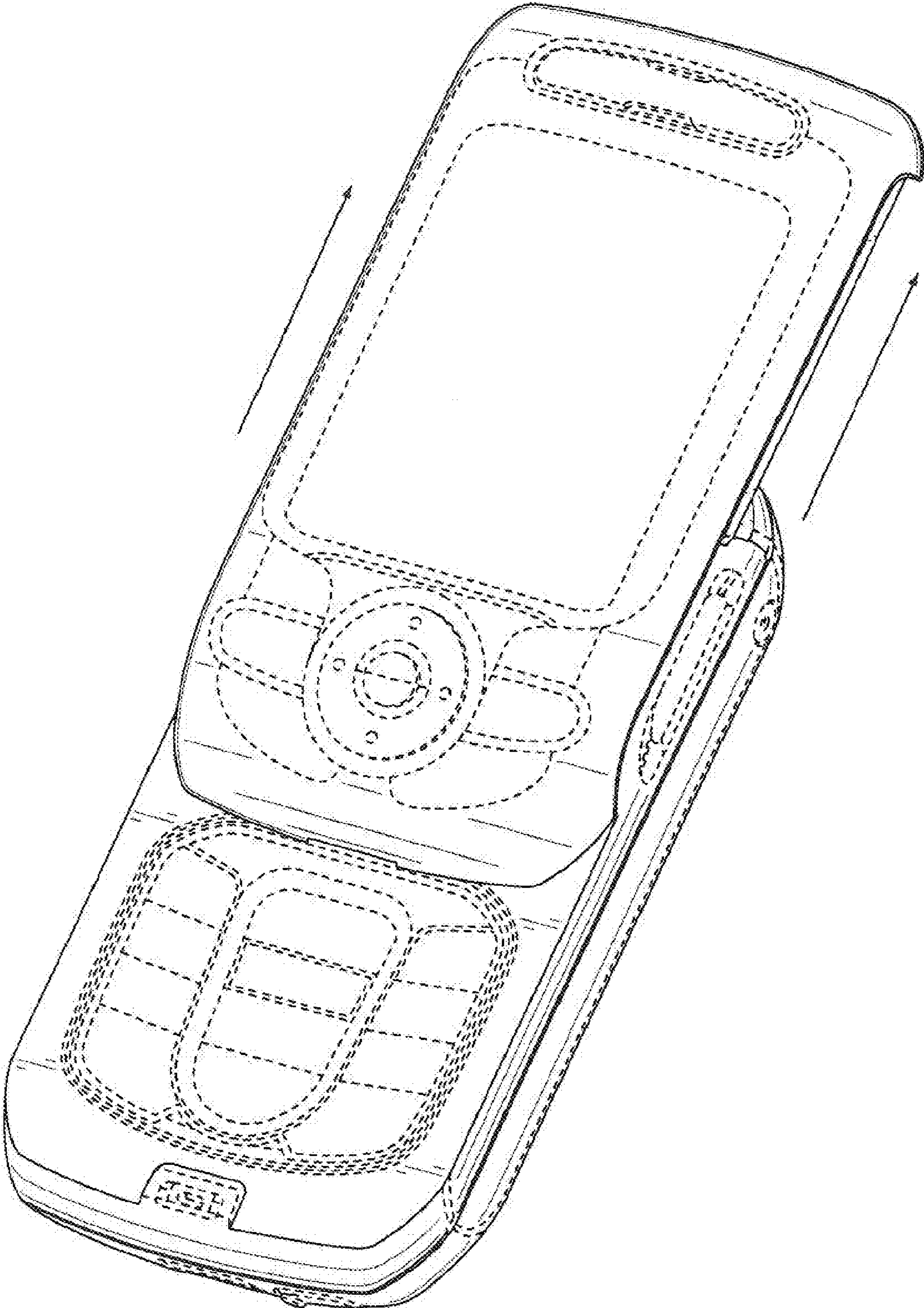


FIG. 2

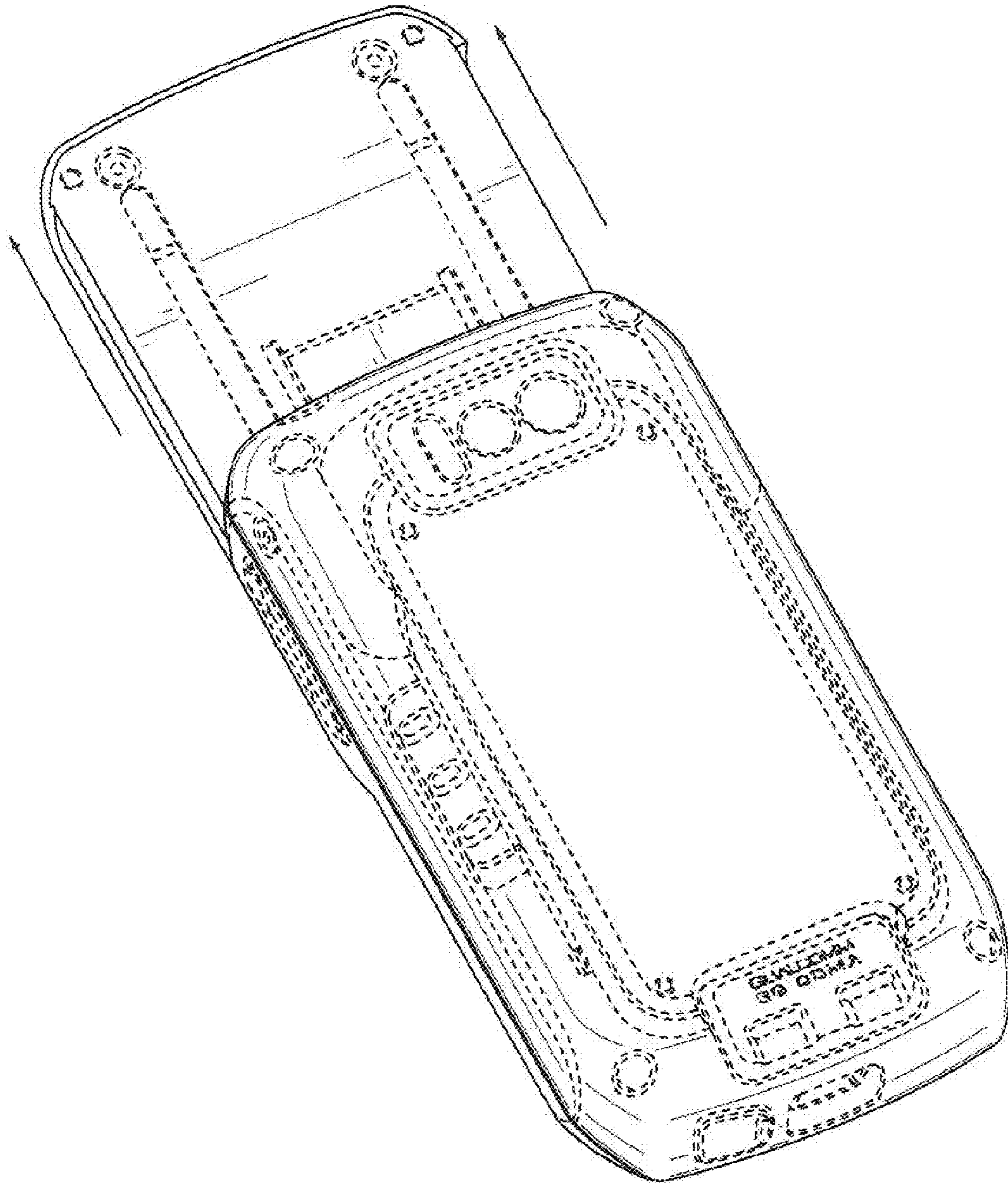


FIG. 3

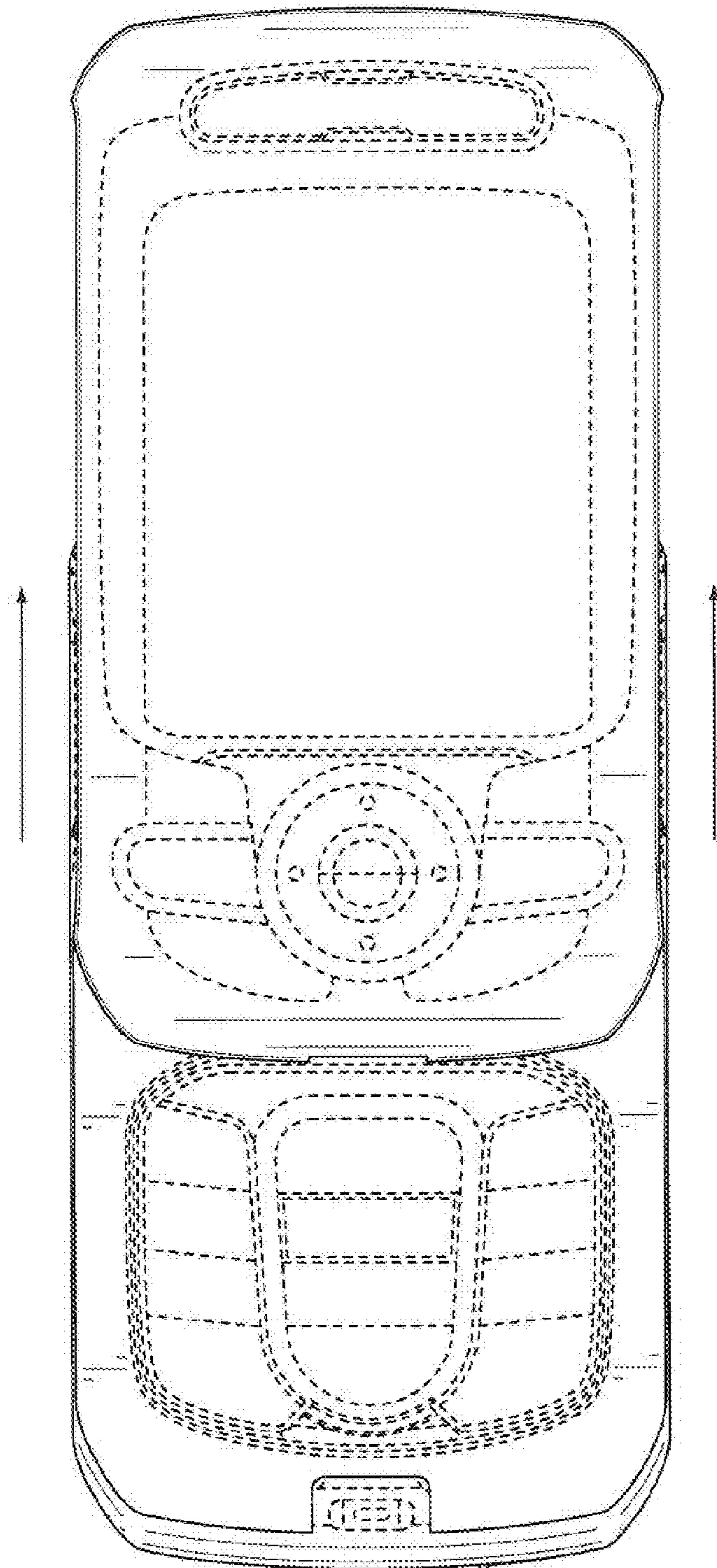


FIG. 4

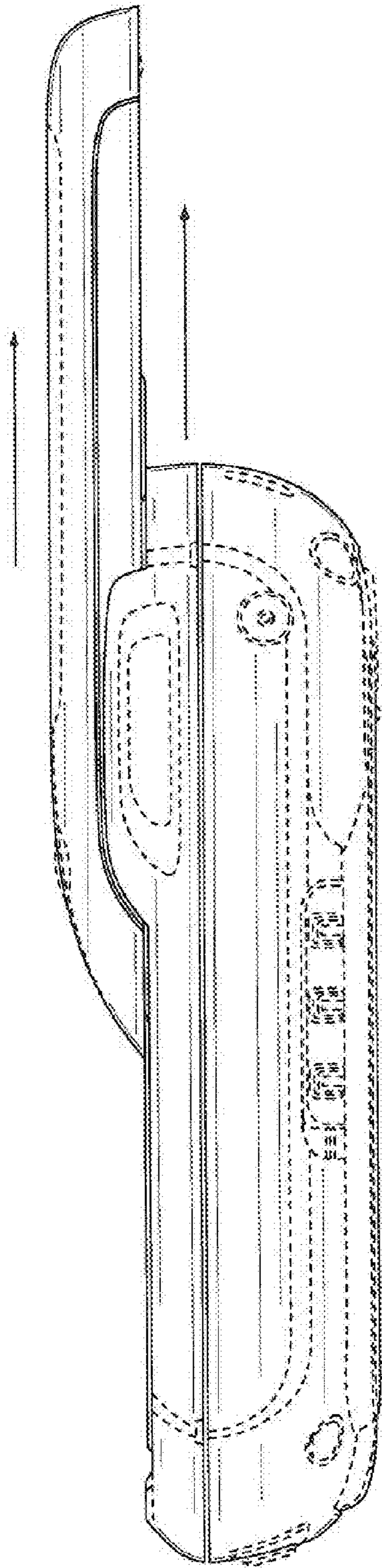


FIG. 5

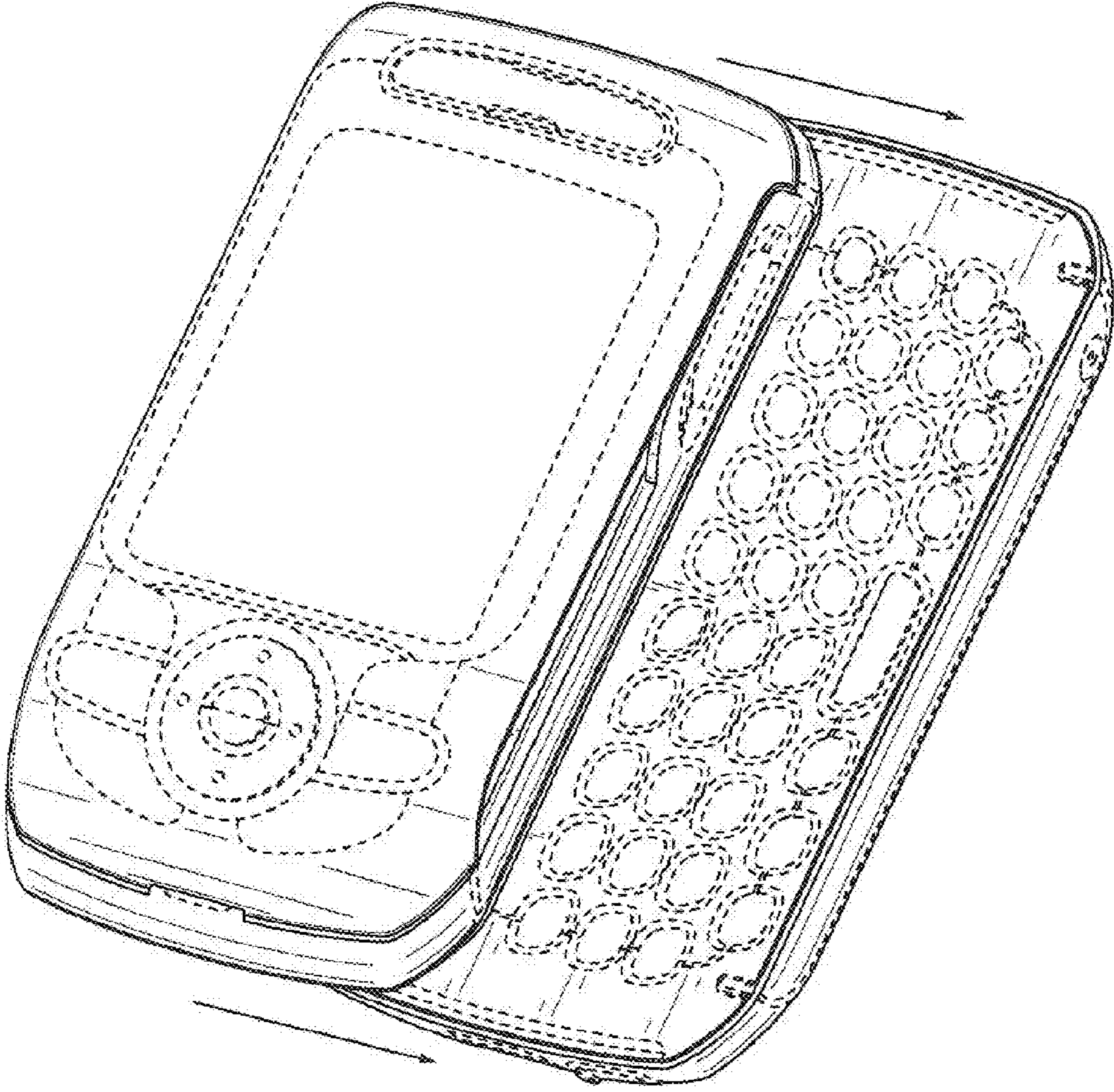


FIG. 6



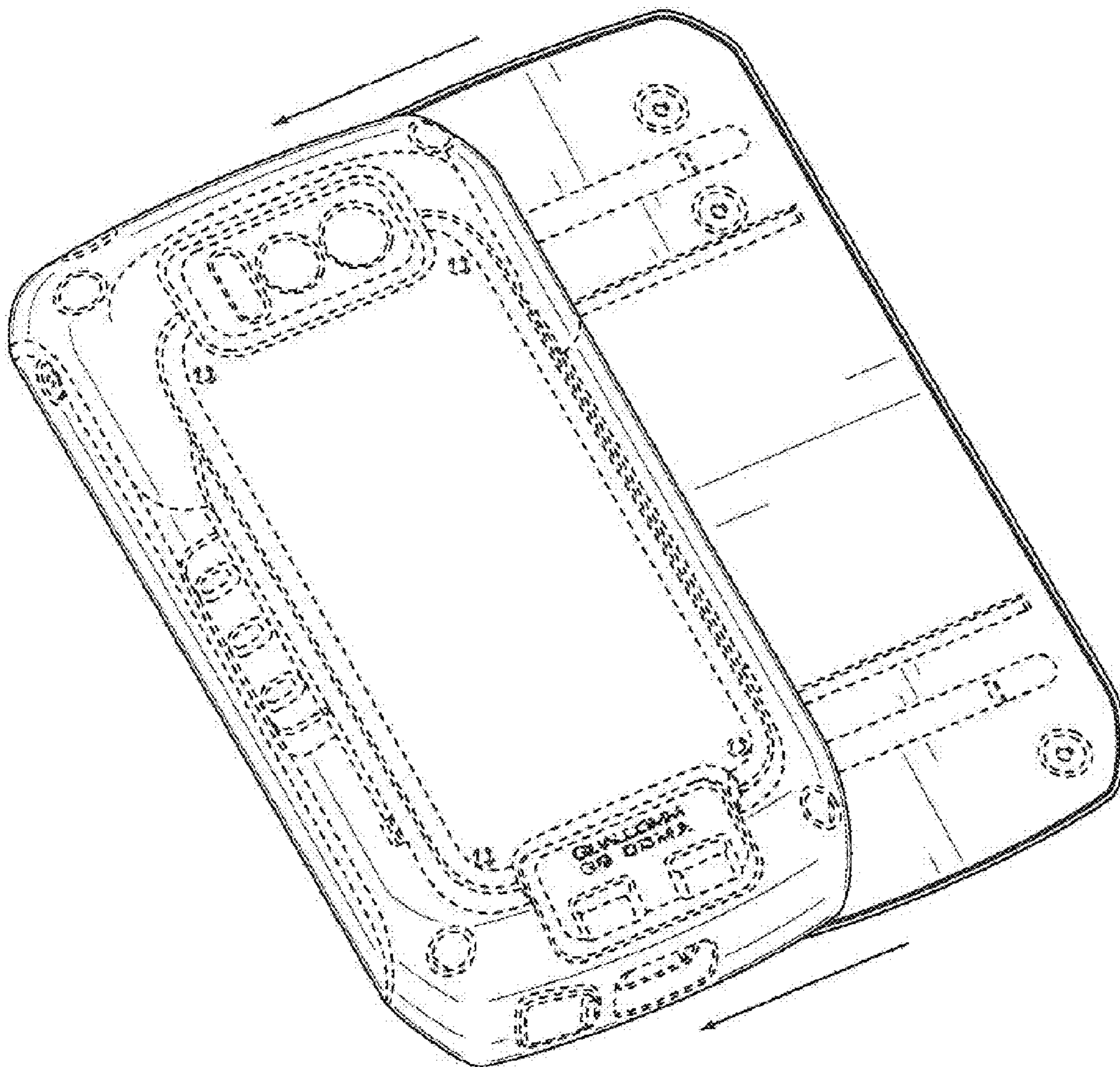


FIG. 7

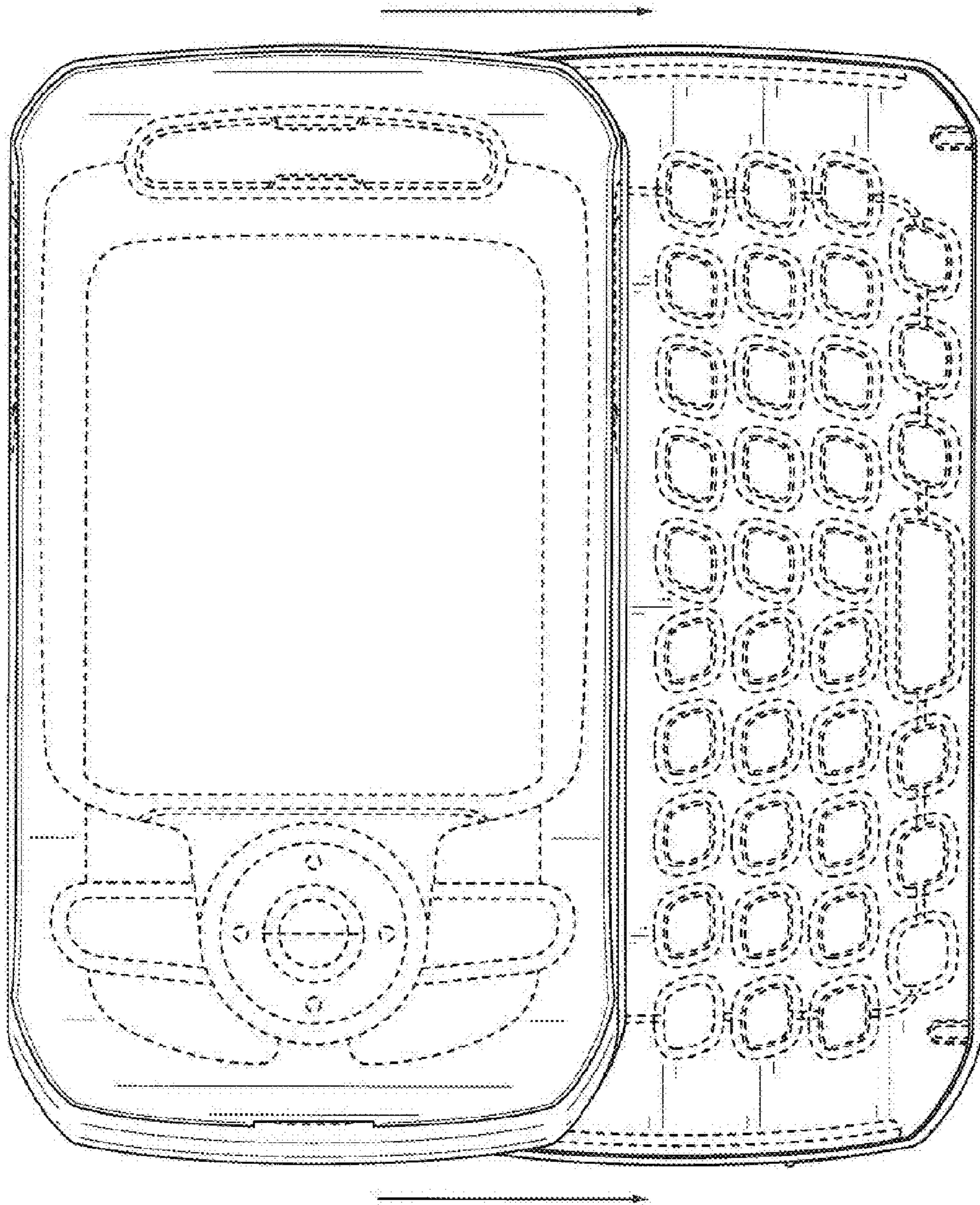


FIG. 8

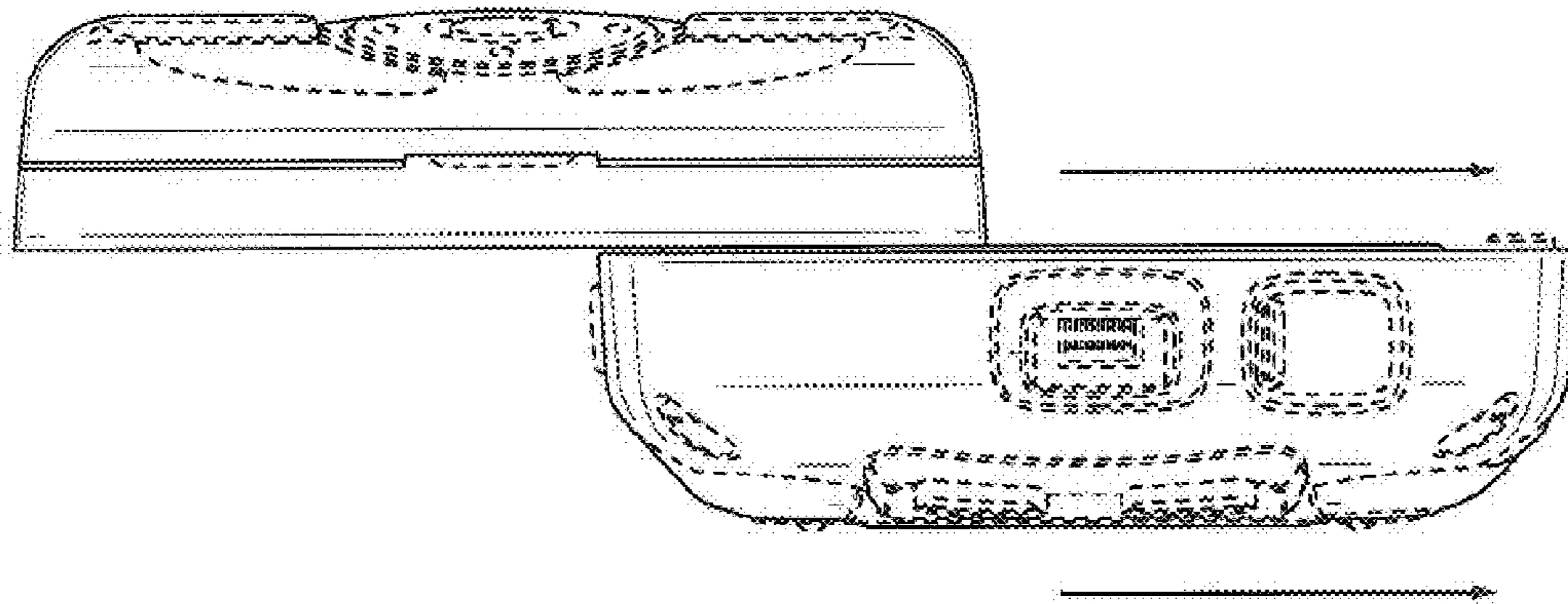


FIG. 9