



US00D583780S

(12) **United States Design Patent**  
**Rein**

(10) **Patent No.:** **US D583,780 S**

(45) **Date of Patent:** **\*\* Dec. 30, 2008**

(54) **INTEGRATED COMMAND CENTER**

D538,140 S \* 3/2007 Ly Hau et al. .... D8/373  
D561,775 S \* 2/2008 Wohlford et al. .... D14/451

(76) Inventor: **Gary Rein**, 954 Lexington Ave., Suite  
267, New York, NY (US) 10021

\* cited by examiner

(\*\*) Term: **14 Years**

*Primary Examiner*—Raphael Barkai

*Assistant Examiner*—Randall H Gholson

(21) Appl. No.: **29/303,059**

(74) *Attorney, Agent, or Firm*—Keith D. Nowak; Carter  
Ledyard & Milburn LLP

(22) Filed: **Jan. 31, 2008**

(57) **CLAIM**

(51) **LOC (8) Cl.** ..... **14-03**

The ornamental design for an integrated command center, as  
shown and described.

(52) **U.S. Cl.** ..... **D14/125**

(58) **Field of Classification Search** ..... D14/125-134,  
D14/239, 451-454, 224, 316, 375-377, 432,  
D14/439, 447, 448, 455, 457, 469; D8/363,  
D8/373, 349, 394; 248/126, 278.1, 279.1,  
248/514, 291.1, 125.1, 121, 124.1, 125.7,  
248/276.1, 415, 284.1, 286.1, 281.11, 292.11,  
248/181.2, 917-921, 127, 128, 133, 178.1,  
248/183.1, 183.2, 346.01, 346.03, 349.1,  
248/371, 473, 474, 512; 348/825, 827, 836,  
348/837

See application file for complete search history.

**DESCRIPTION**

FIG. 1 is a front perspective view of the present invention;

FIG. 2 is a front view thereof;

FIG. 3 is a rear view thereof;

FIG. 4 is a top view thereof;

FIG. 5 is a bottom view thereof;

FIG. 6 is a right side view thereof;

FIG. 7 is a left side view thereof; and,

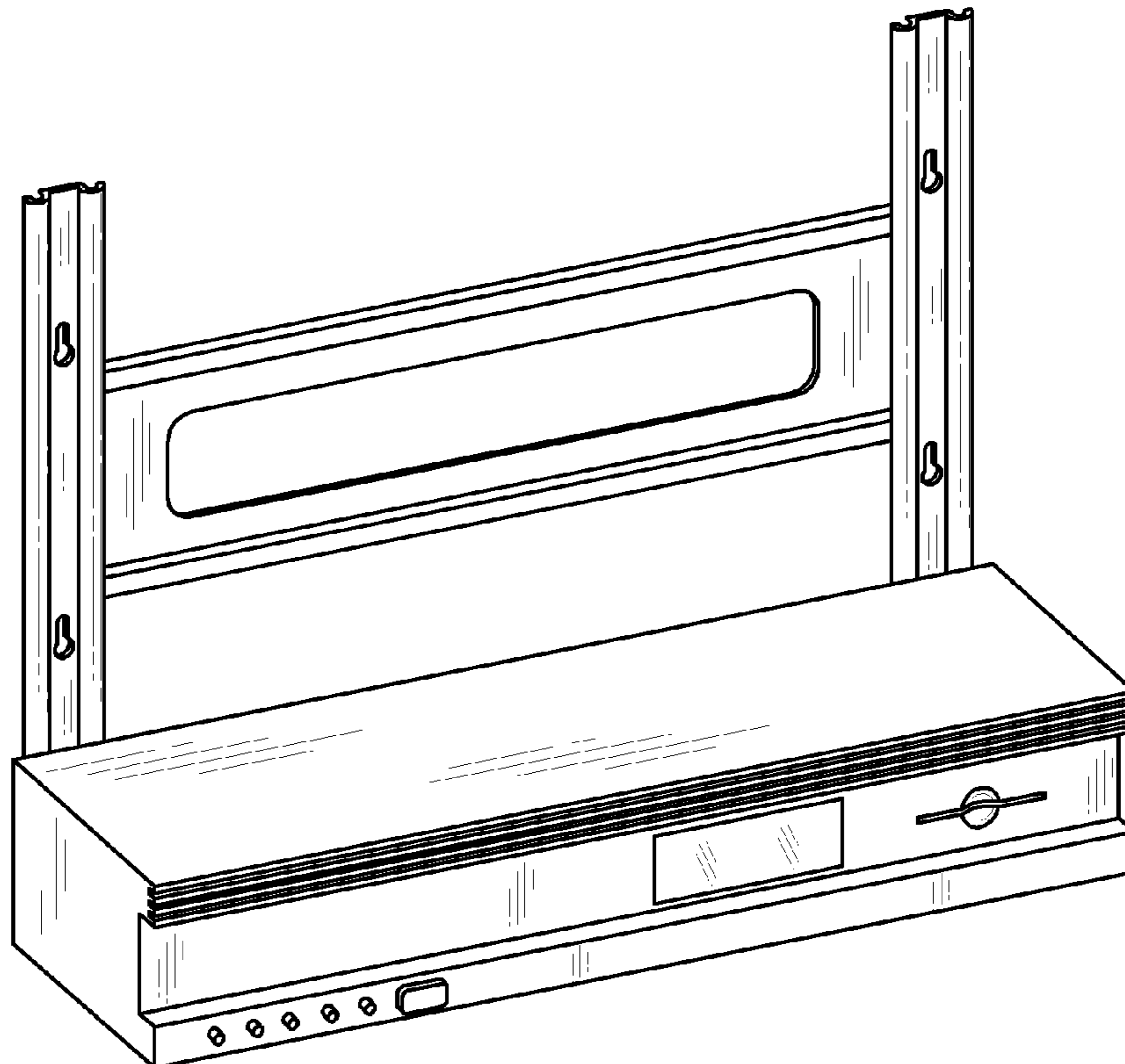
FIG. 8 is a perspective view of the present invention, the  
dashed lines showing a television and side modules is for  
illustrative purposes only and forms no part of the claimed  
design.

(56) **References Cited**

**U.S. PATENT DOCUMENTS**

D494,596 S \* 8/2004 Pfister ..... D14/451  
6,886,701 B2 \* 5/2005 Hong et al. .... 211/99  
D532,290 S \* 11/2006 David ..... D8/373

**1 Claim, 7 Drawing Sheets**



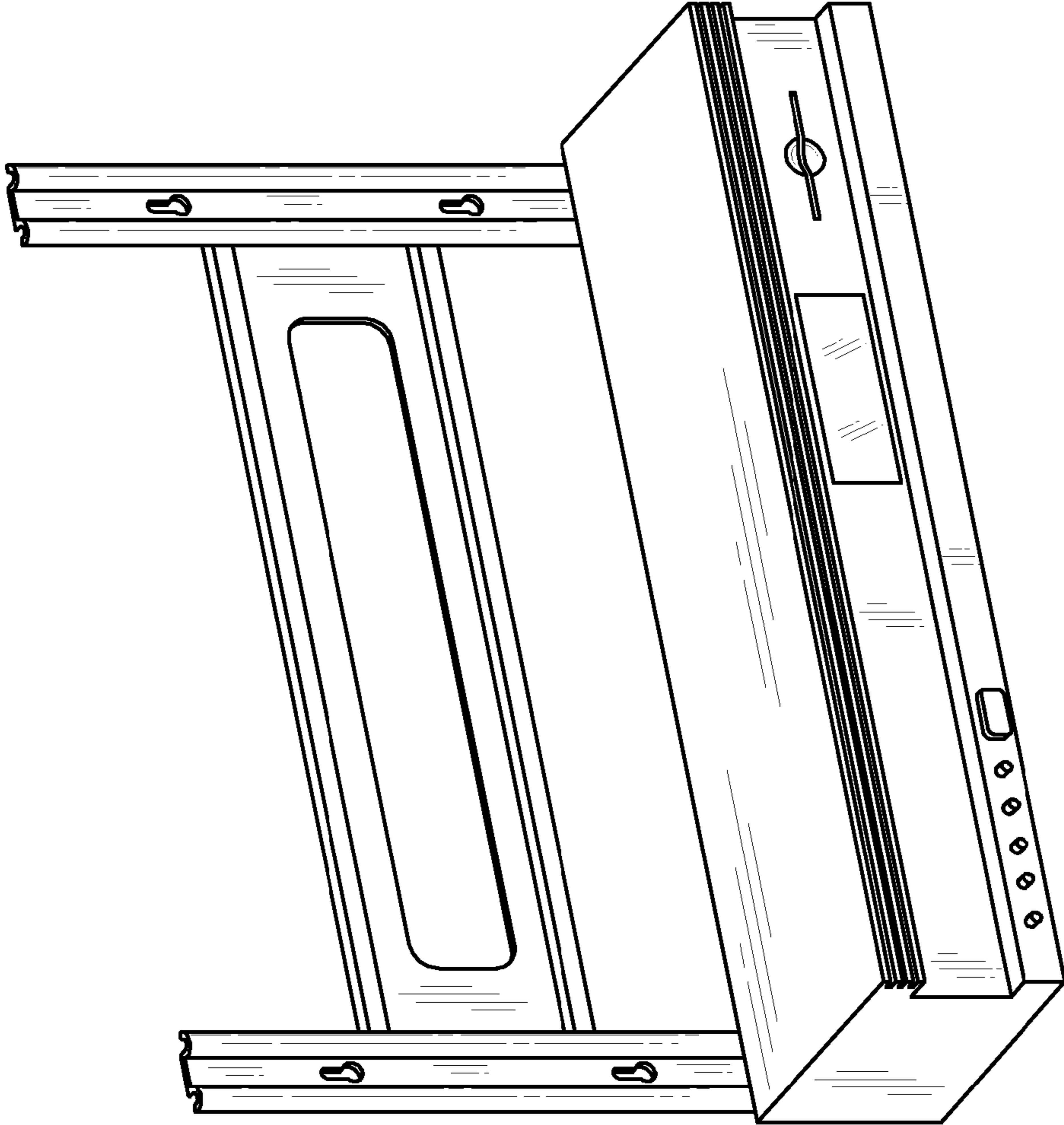
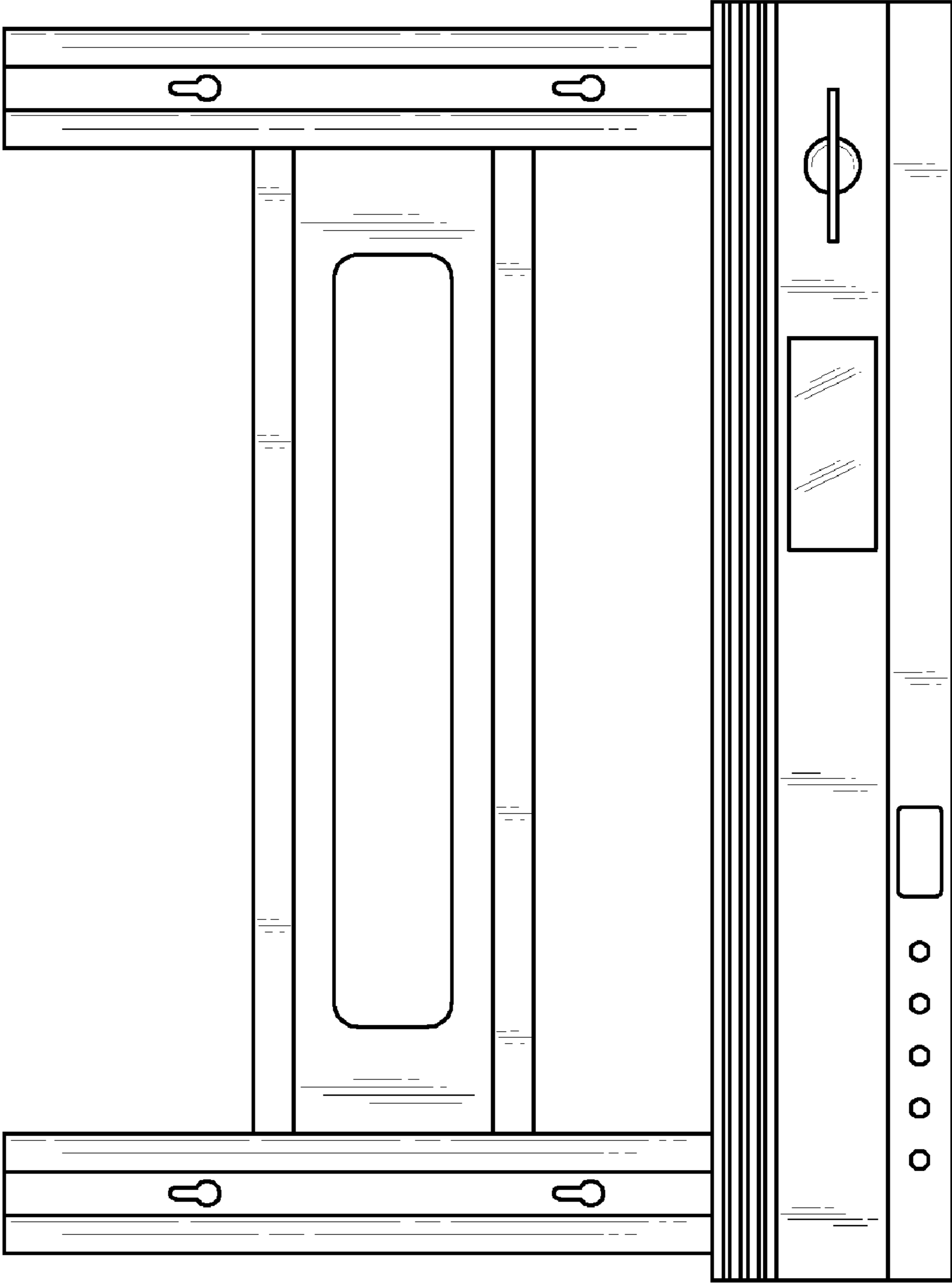


FIG. 1



*FIG. 2*

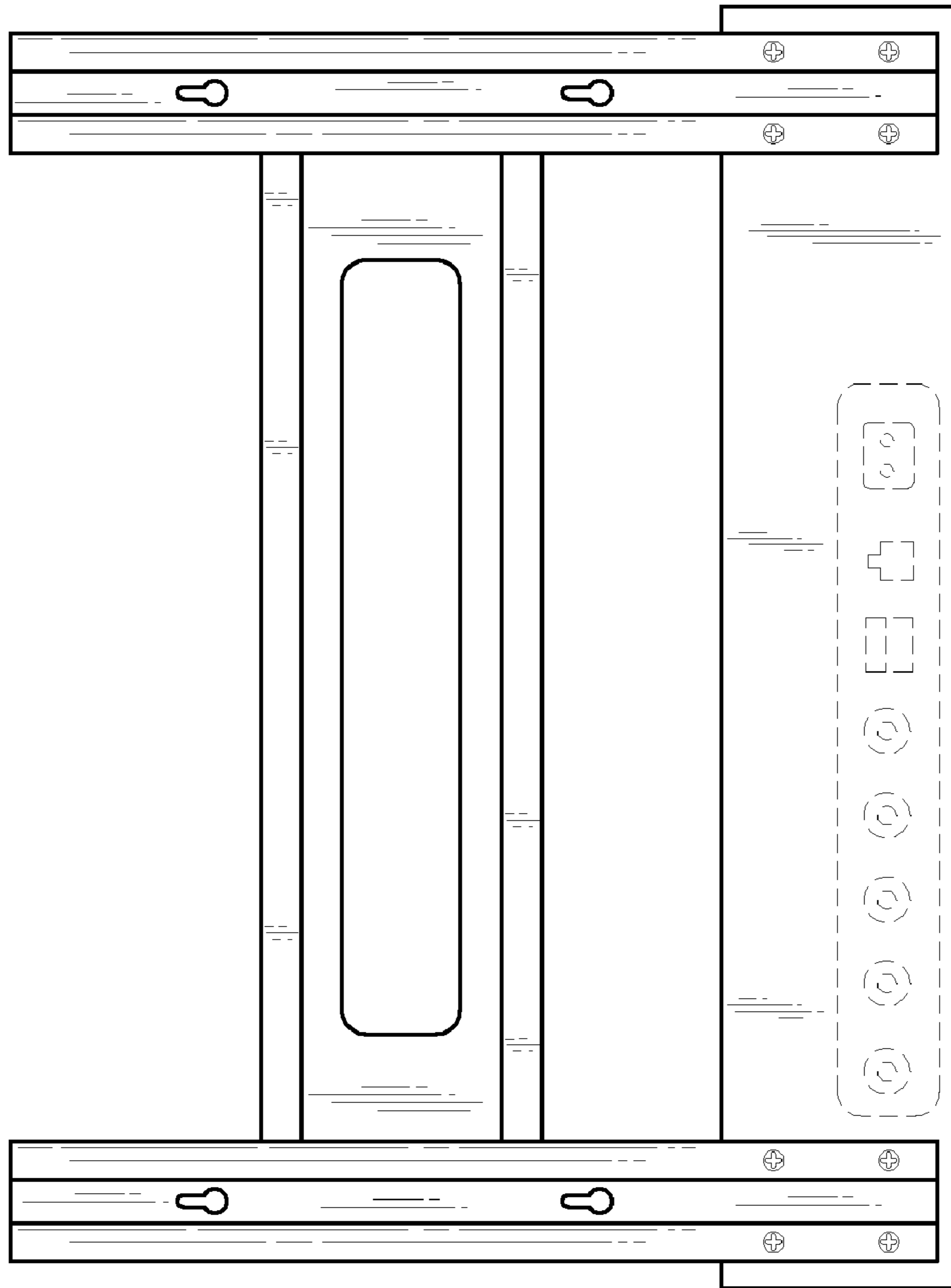
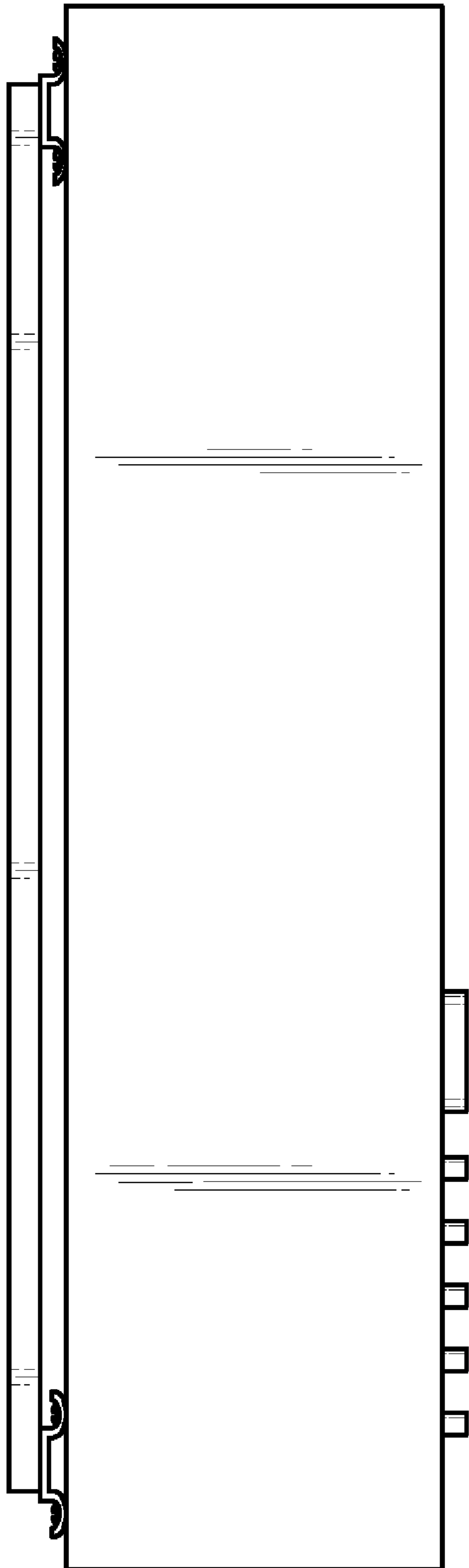
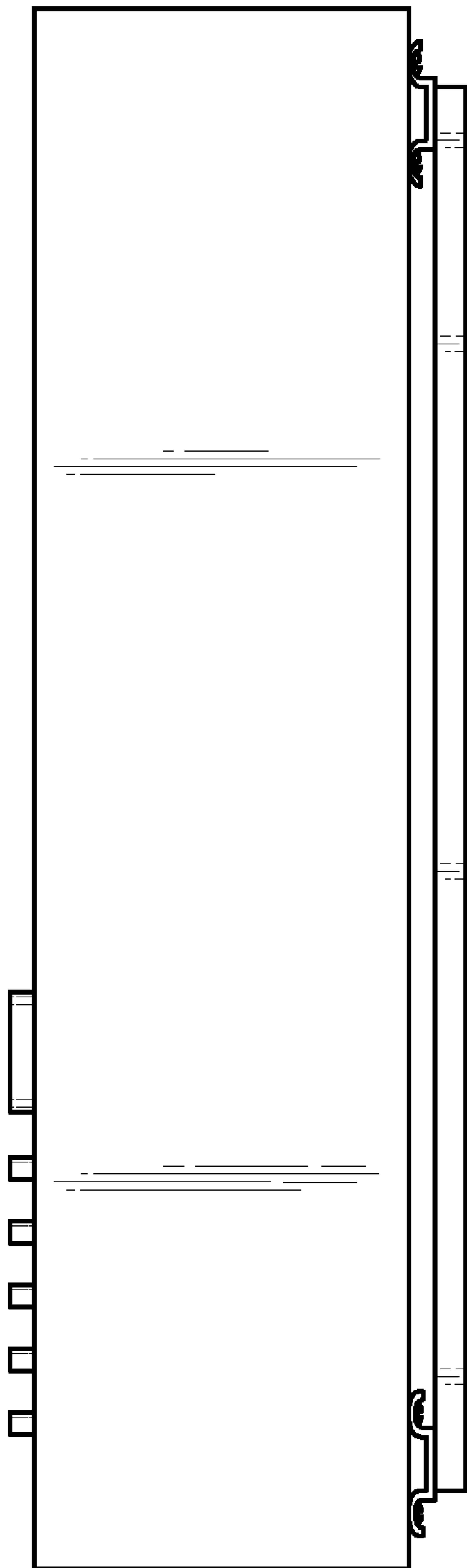


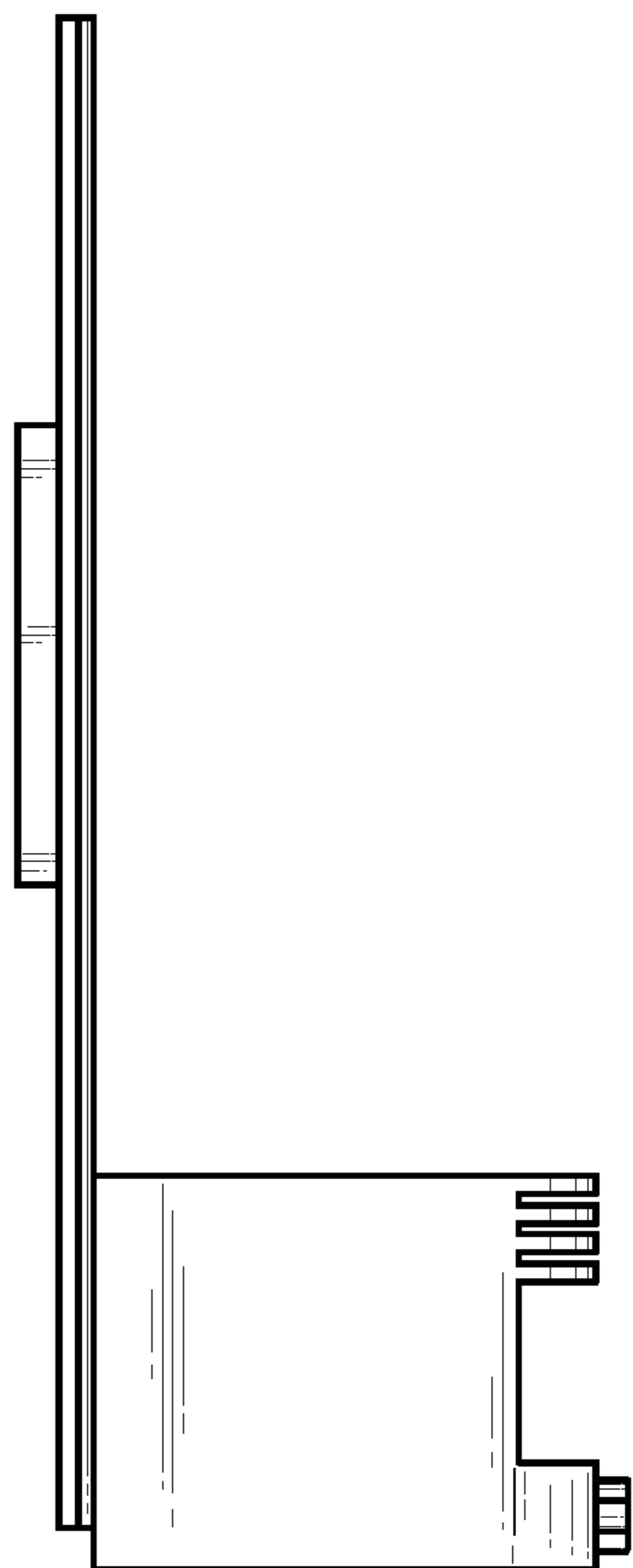
FIG. 3



**FIG. 4**



*FIG. 5*



*FIG. 6*



*FIG. 7*

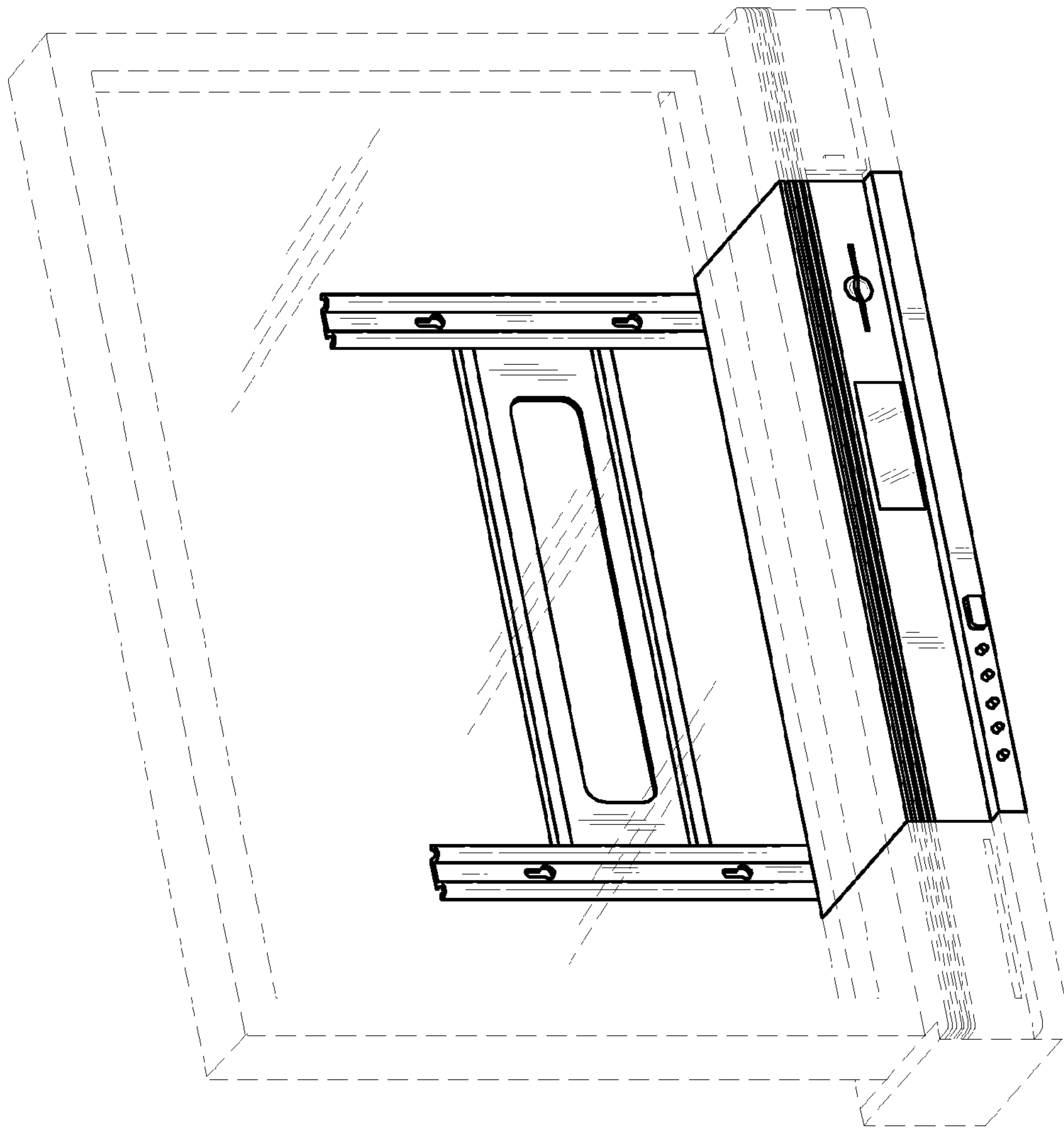


FIG. 8