



US00D583777S

(12) **United States Design Patent**  
**Lacour et al.**

(10) **Patent No.:** **US D583,777 S**  
(45) **Date of Patent:** **\*\* Dec. 30, 2008**

(54) **REMOTE CONTROL**

(75) Inventors: **Olivier Lacour**, Paris (FR); **Ferline Tiard**, Paris (FR); **Thorsten Buch**, Munich (DE); **Harold Cornier**, Paris (FR); **Gilles Poplin**, Malakoff (FR)

(73) Assignee: **NDS Technologies France**, Issy-les-Moulineaux (FR)

(\*\*) Term: **14 Years**

(21) Appl. No.: **29/294,937**

(22) Filed: **Jan. 31, 2008**

(30) **Foreign Application Priority Data**

Sep. 5, 2007 (EM) ..... 000787122-0004

(51) **LOC (8) Cl.** ..... **13-03**

(52) **U.S. Cl.** ..... **D13/168**

(58) **Field of Classification Search** ..... D13/168;  
D10/104, 106; D14/218, 247; 340/825.22,  
340/825.24, 825.25, 825.31, 825.36, 825.69,  
340/825.72; 341/20, 22, 23, 34, 176; 345/156,  
345/158, 169; 348/734; 455/92, 95, 100,  
455/128, 151.1–151.4, 352–355; 463/39;  
700/17, 19, 20, 65, 83

See application file for complete search history.

(56) **References Cited**

**U.S. PATENT DOCUMENTS**

D313,973 S \* 1/1991 Walker ..... D13/168  
D343,387 S \* 1/1994 Keene ..... D13/168  
D348,435 S \* 7/1994 Farinelli et al. .... D13/168  
D382,271 S \* 8/1997 Akwiwu ..... D14/218

D406,542 S \* 3/1999 Mik ..... D10/104  
D423,509 S \* 4/2000 Park ..... D14/218  
D546,295 S \* 7/2007 Marchetto et al. .... D13/168  
D547,275 S \* 7/2007 Bonnaud ..... D13/168

**FOREIGN PATENT DOCUMENTS**

EM 000294434-0002 5/2005  
EM 000321971-0001 6/2005  
EM 000501838-0001 5/2006  
EM 000539275-0001 7/2006  
EM 000547740-0002 8/2006  
EM 000567110-0006 8/2006  
EM 000632260-0001 12/2006  
EM 000653571-0001 2/2007  
EM 000653571-0002 2/2007

\* cited by examiner

*Primary Examiner*—Selina Sikder  
(74) *Attorney, Agent, or Firm*—Husch Blackwell Sanders LLP

(57) **CLAIM**

The ornamental design for a remote control, as shown and described.

**DESCRIPTION**

FIG. 1 is a perspective view of the front of the remote control design; and,

FIG. 2 is a front elevational view thereof.

The broken lines define portions of the remote control that form no part of the claimed design. The rear, top, bottom, and side views are not shown and do not form part of the claimed design.

**1 Claim, 1 Drawing Sheet**

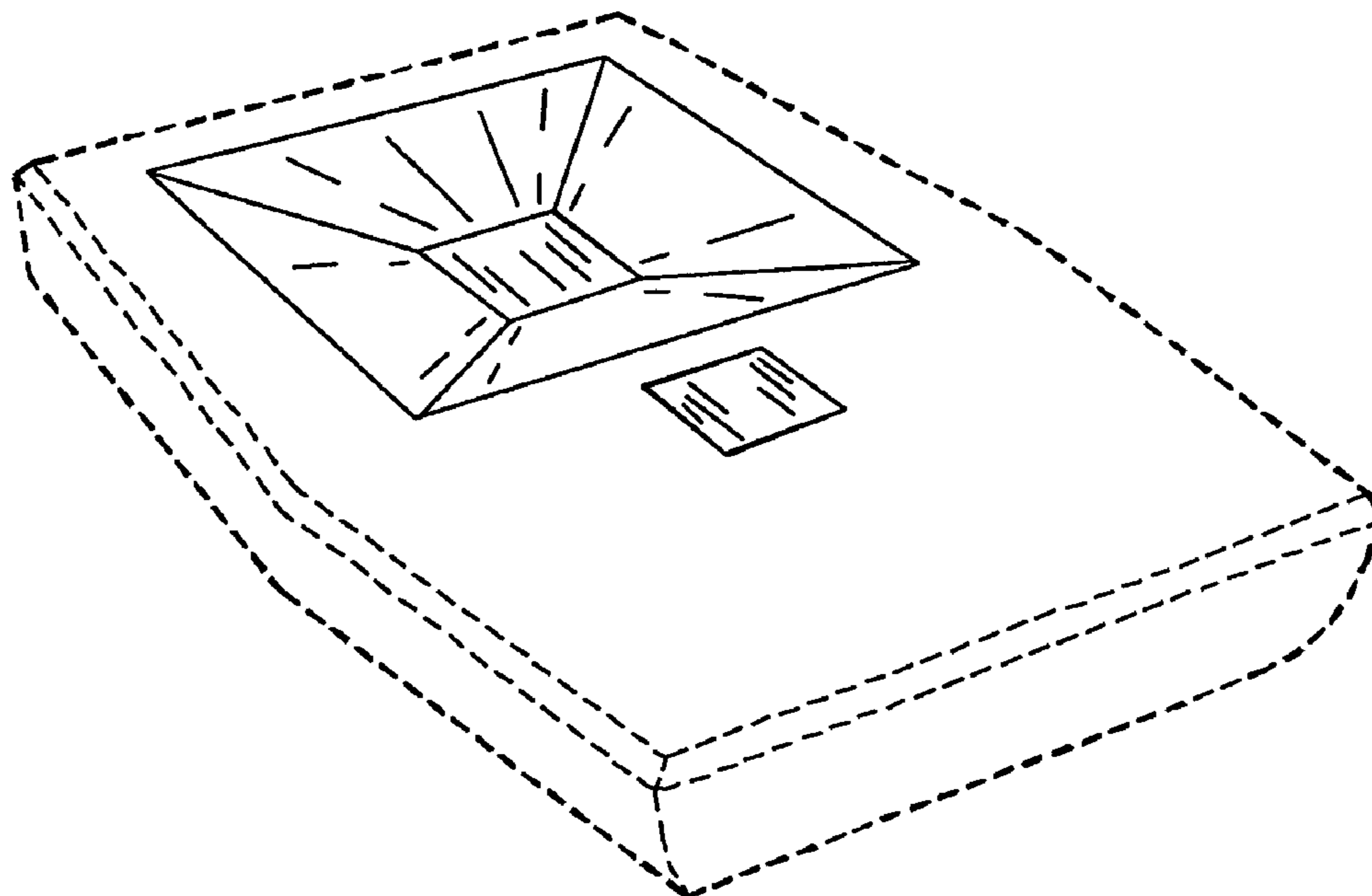


FIG. 1

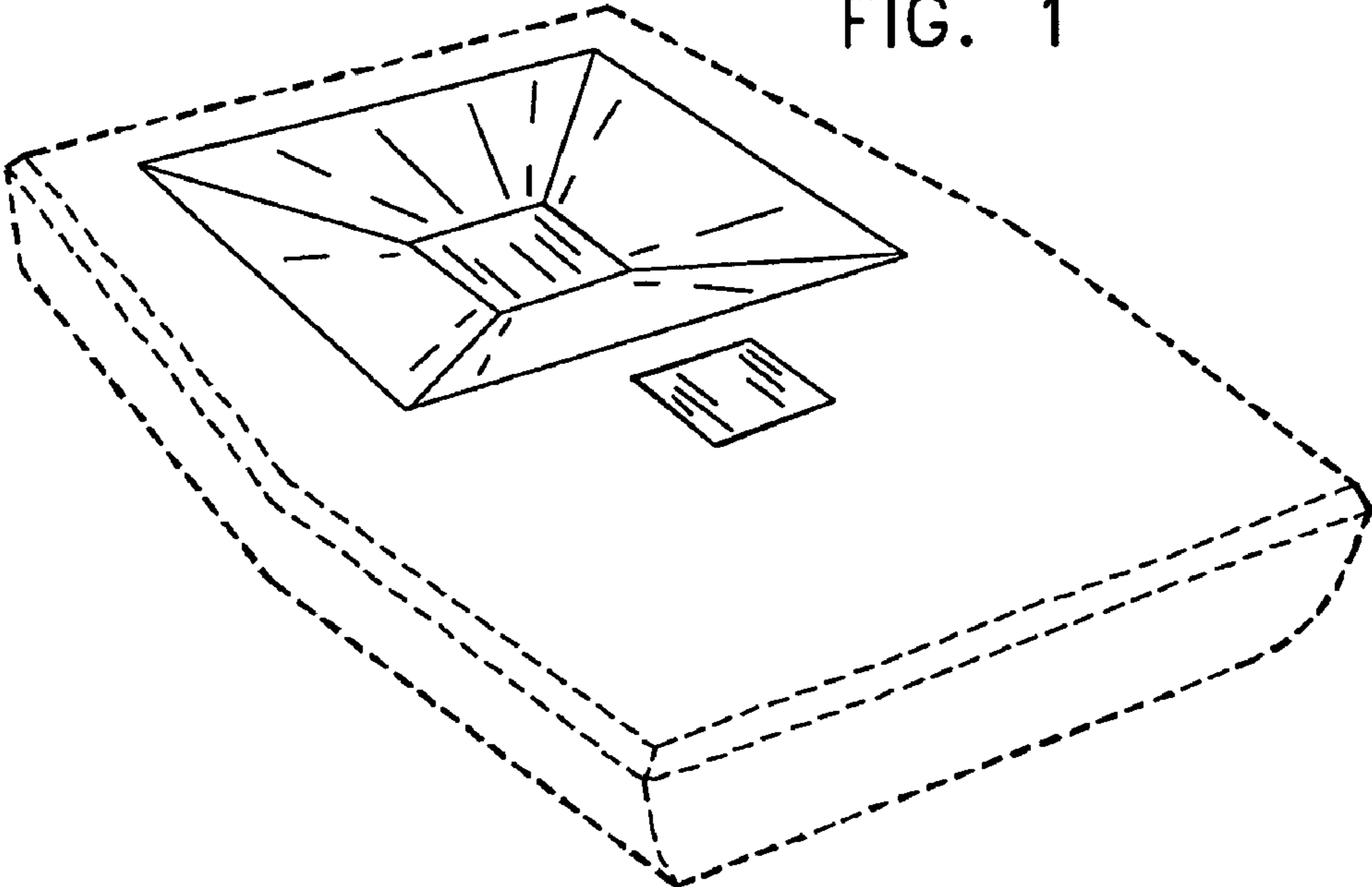


FIG. 2

