



US00D583772S

(12) **United States Design Patent**  
**To**

(10) **Patent No.:** **US D583,772 S**  
(45) **Date of Patent:** **\*\* Dec. 30, 2008**

- (54) **HANDHELD TRANSMITTER**
- (75) Inventor: **Nguyen Vinh To**, Oceanside, CA (US)
- (73) Assignee: **DEI Holdings, Inc.**, Vista, CA (US)
- (\*\*) Term: **14 Years**
- (21) Appl. No.: **29/266,800**
- (22) Filed: **Sep. 28, 2006**
- (51) **LOC (8) Cl.** ..... **13-03**
- (52) **U.S. Cl.** ..... **D13/168**
- (58) **Field of Classification Search** ..... D13/168;  
D10/104, 106; D3/207, 208; 340/426.1,  
340/426.18, 426.36, 5.23, 5.25, 5.61, 5.62,  
340/5.64, 5.72, 825.69, 825.72; 701/2  
See application file for complete search history.

D496,913 S *	10/2004	To	.....	D13/168
D507,781 S *	7/2005	To	.....	D13/168
D538,236 S *	3/2007	Ombe et al.	.....	D13/168
2006/0061483 A1 *	3/2006	Smith et al.	.....	340/825.72
2006/0139155 A1 *	6/2006	Kim	.....	340/426.18
2007/0040650 A1 *	2/2007	Handley et al.	.....	340/5.64
2007/0080780 A1 *	4/2007	Shen	.....	340/5.61

\* cited by examiner

*Primary Examiner*—Selina Sikder

(57) **CLAIM**

The ornamental design for a handheld transmitter, as shown and described.

**DESCRIPTION**

FIG. 1 is a front elevational view of the handheld transmitter showing my new design;

FIG. 2 is a left side elevational view of the handheld transmitter;

FIG. 3 is a right side elevational view of the handheld transmitter;

FIG. 4 is a rear elevational view of the handheld transmitter;

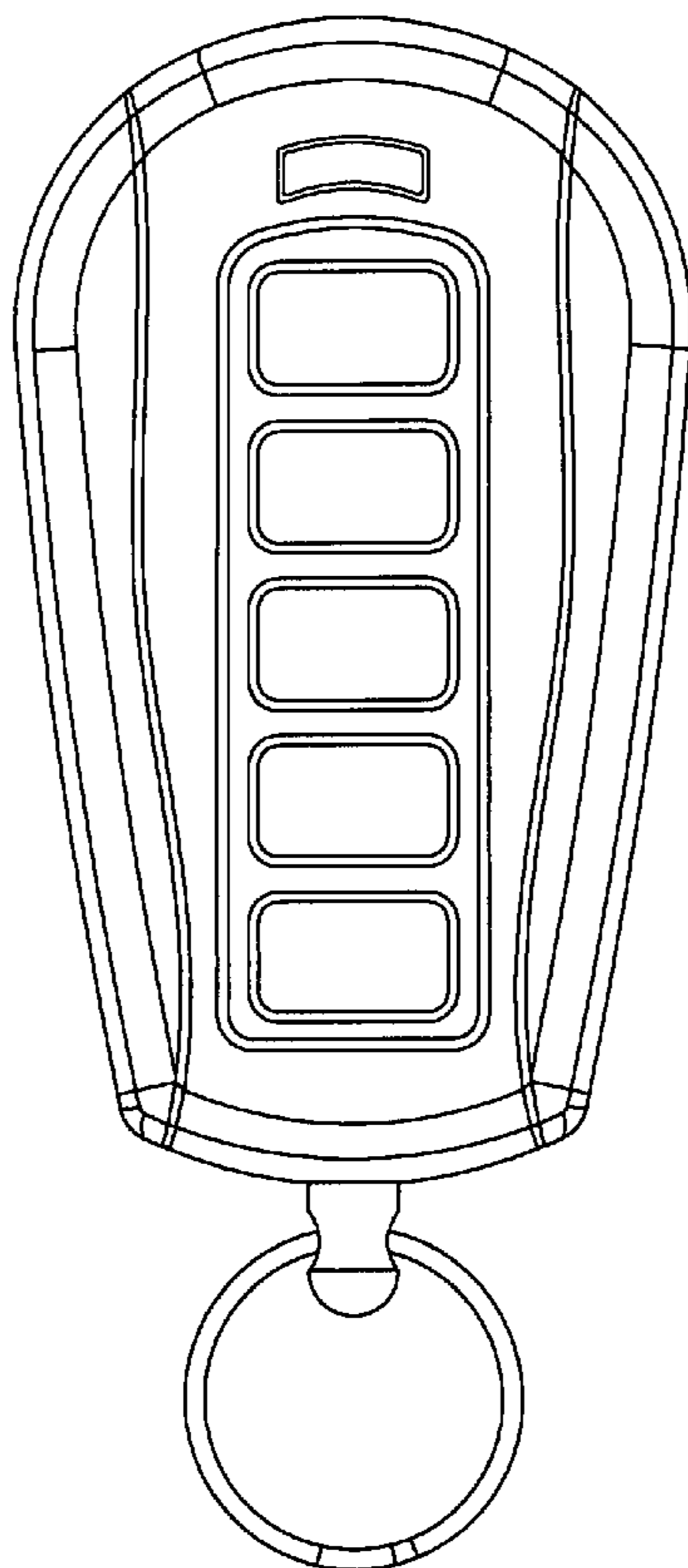
FIG. 5 is a top plan view of the handheld transmitter; and,

FIG. 6 is a bottom plan view of the handheld transmitter.

(56) **References Cited**  
U.S. PATENT DOCUMENTS

5,479,148 A *	12/1995	Umemoto	.....	340/426.36
D398,588 S *	9/1998	Pinardi et al.	.....	D13/168
5,940,007 A *	8/1999	Brinkmeyer et al.	...	340/825.69
6,243,022 B1 *	6/2001	Furukawa	.....	340/825.72
D469,708 S *	2/2003	To et al.	.....	D10/104
D496,001 S *	9/2004	To	.....	D13/168
D496,911 S *	10/2004	To	.....	D13/168
D496,912 S *	10/2004	To	.....	D13/168

**1 Claim, 2 Drawing Sheets**



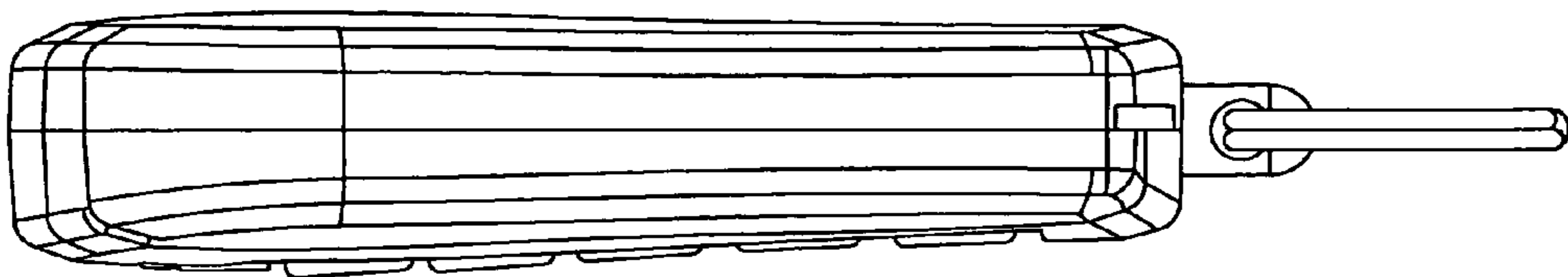


FIG. 3

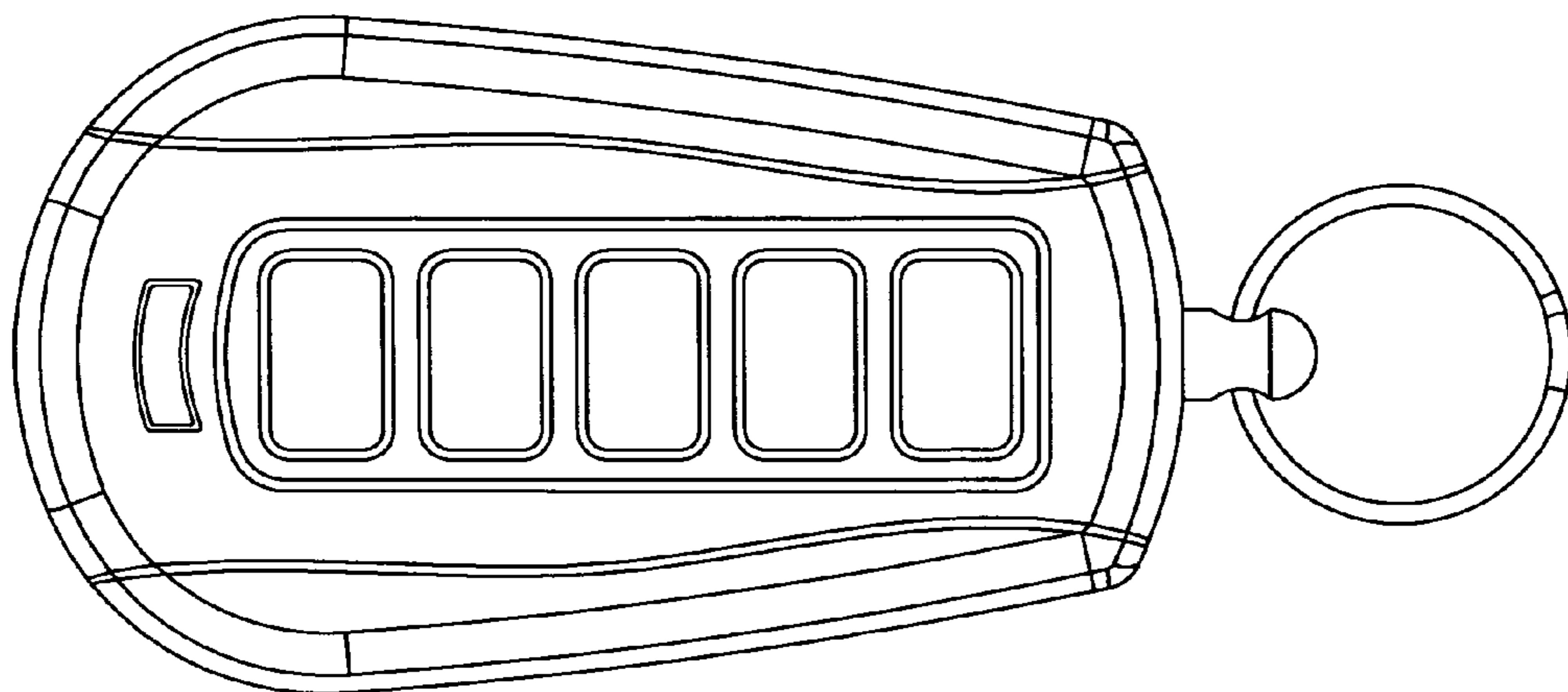


FIG. 1

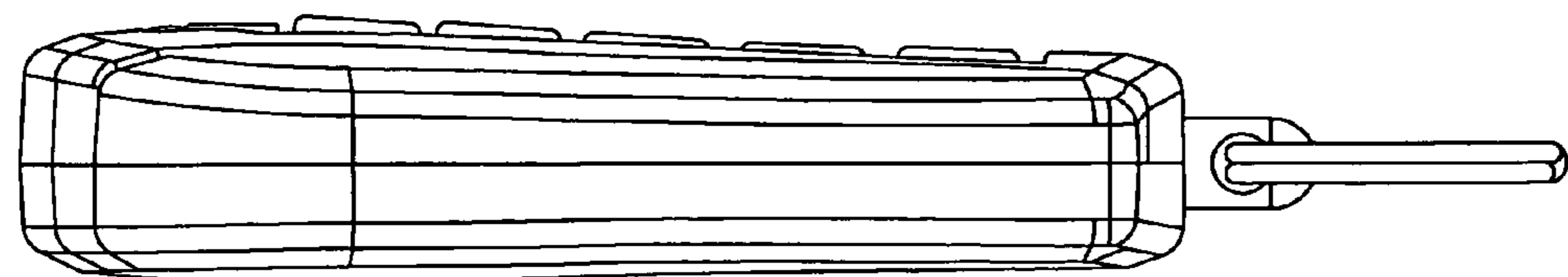


FIG. 2

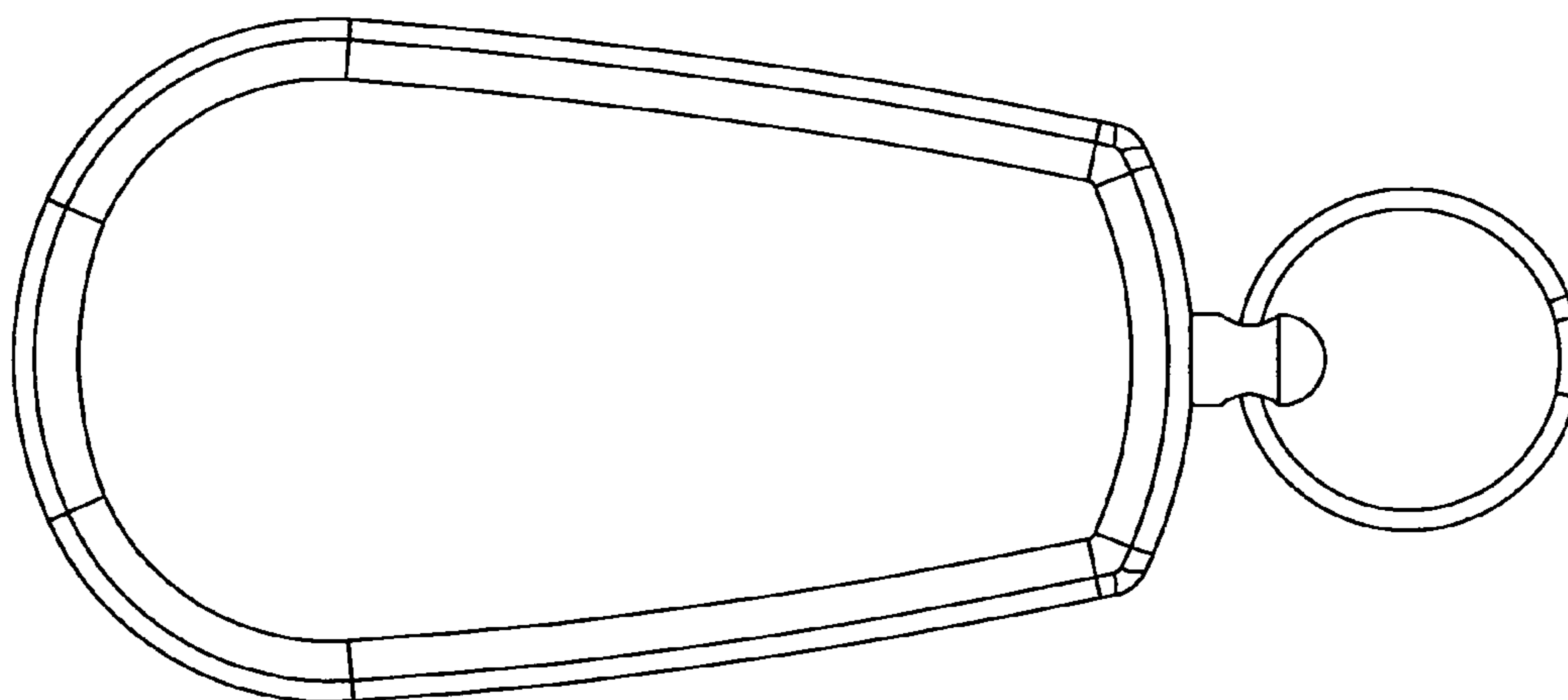


FIG. 4

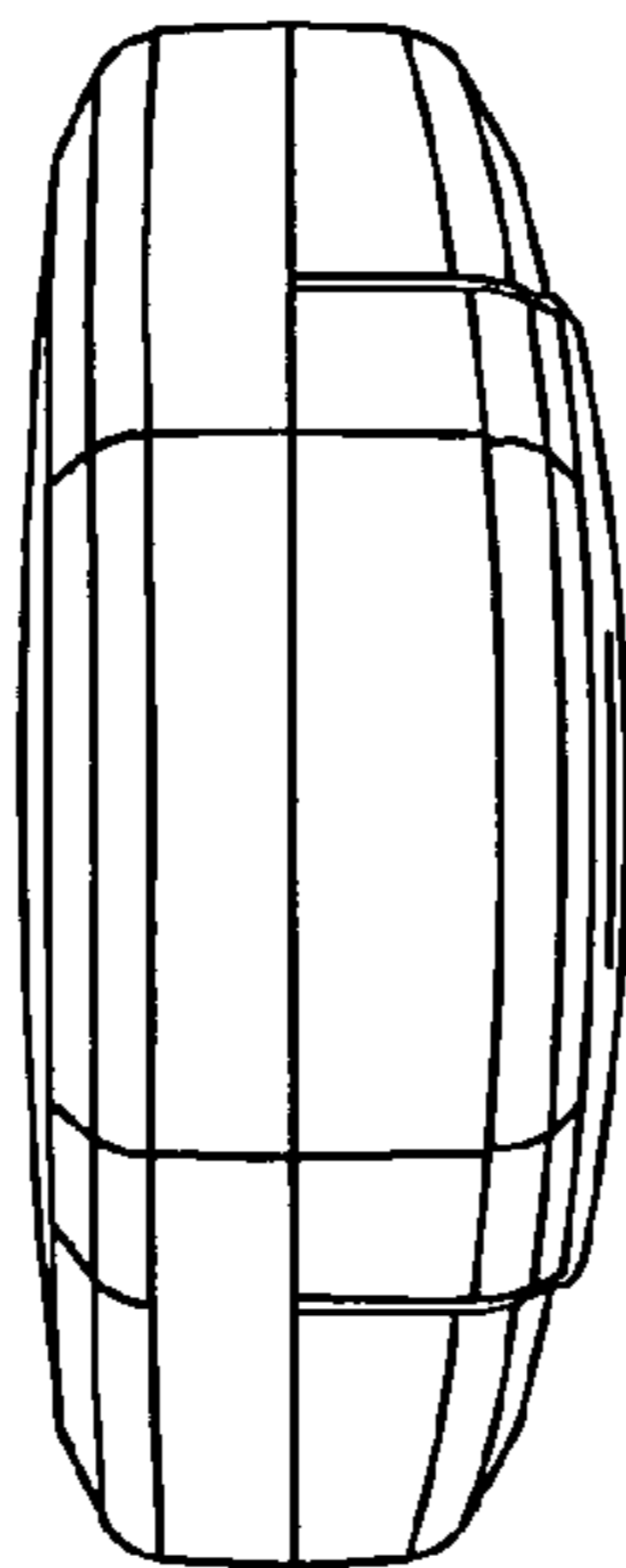


FIG. 5

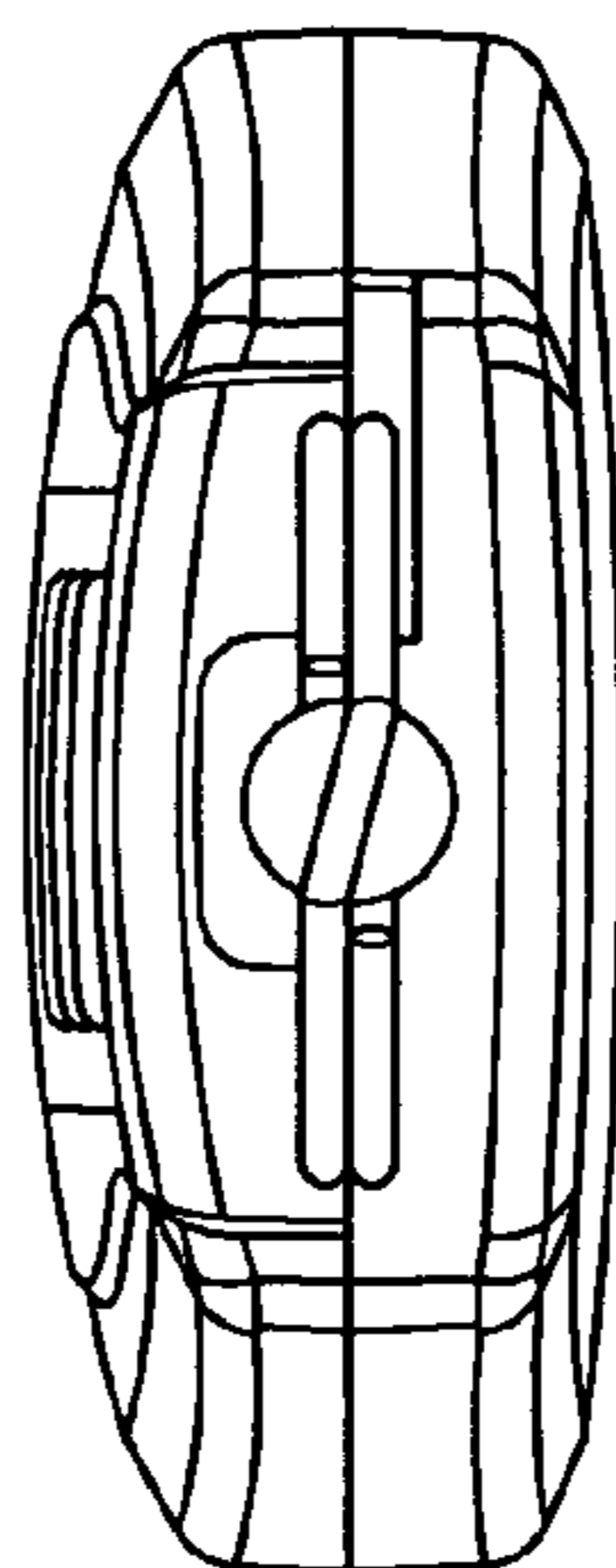


FIG. 6