



US00D583770S

(12) **United States Design Patent**  
**Ramsey**

(10) **Patent No.:** **US D583,770 S**

(45) **Date of Patent:** **\*\* Dec. 30, 2008**

(54) **DISTRIBUTION ELECTRICAL CONNECTOR**

(75) Inventor: **Mark Ramsey**, Fort Wayne, IN (US)

(73) Assignee: **Group Dekko, Inc.**, Kendallville, IN (US)

(\*\*) Term: **14 Years**

(21) Appl. No.: **29/277,733**

(22) Filed: **Mar. 8, 2007**

(51) **LOC (8) Cl.** ..... **13-03**

(52) **U.S. Cl.** ..... **D13/154; D13/146; D13/147**

(58) **Field of Classification Search** ..... D13/133,  
D13/146-147, 154, 184

See application file for complete search history.

(56) **References Cited**

**U.S. PATENT DOCUMENTS**

D196,111 S *	8/1963	Krehbiel	.....	D13/147
D210,533 S *	3/1968	Pauza	.....	D13/147
4,596,436 A *	6/1986	Kraemer et al.	.....	439/701
4,959,023 A *	9/1990	Watanabe et al.	.....	439/595
D310,993 S *	10/1990	Ohkura et al.	.....	D13/146
5,902,155 A *	5/1999	Polgar et al.	.....	439/680
6,902,415 B2 *	6/2005	Ramsey et al.	.....	439/215

D531,960 S \* 11/2006 Kondas ..... D13/147

\* cited by examiner

*Primary Examiner*—Daniel D Bui

(74) *Attorney, Agent, or Firm*—Taylor & Aust, P.C.

(57) **CLAIM**

The ornamental design for a distribution electrical connector, as shown and described.

**DESCRIPTION**

FIG. 1 is a front perspective view of a distribution electrical connector showing my new design,

FIG. 2 is a rear perspective view thereof;

FIG. 3 is a front view thereof;

FIG. 4 is a rear view thereof;

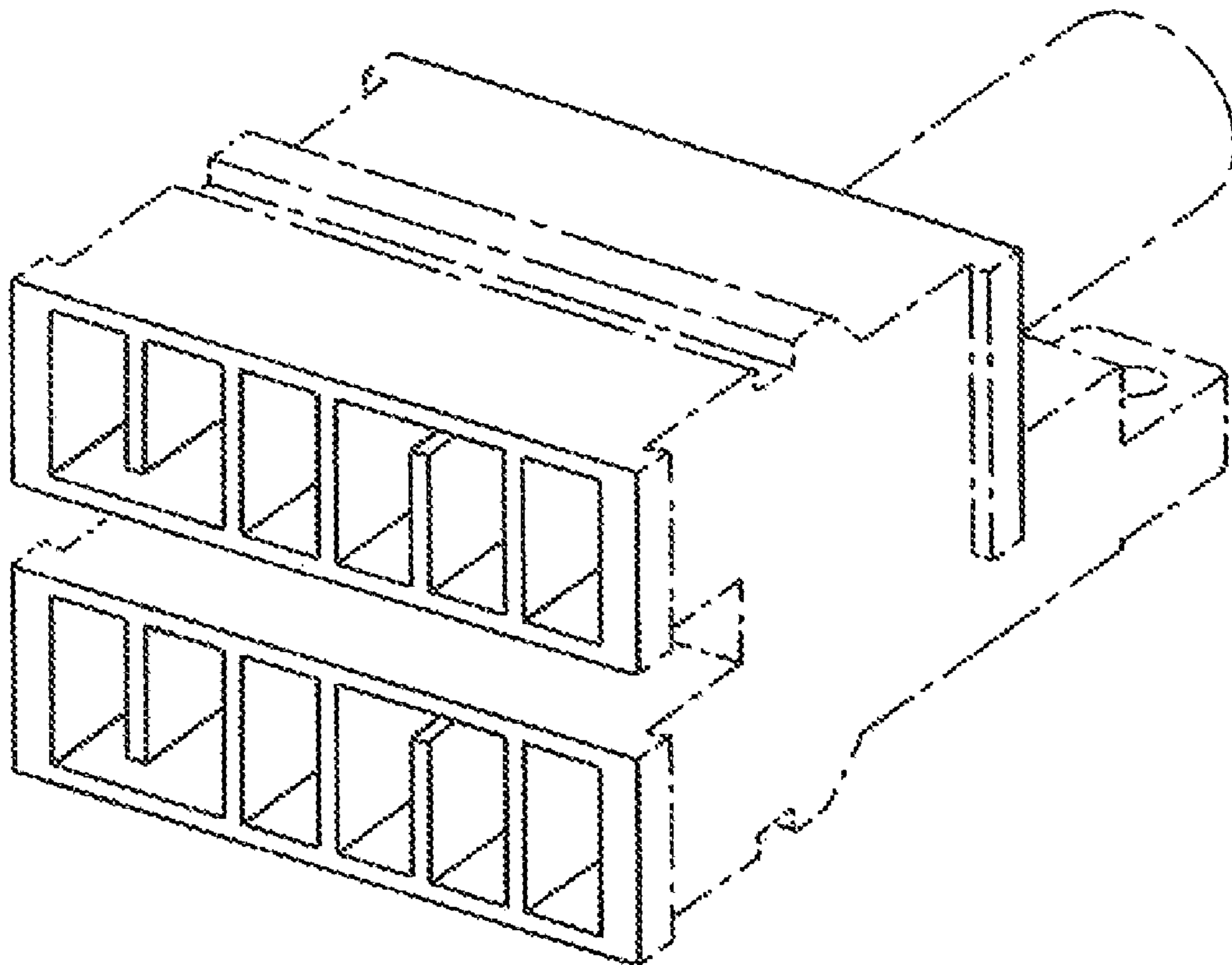
FIG. 5 is a top view thereof;

FIG. 6 is a bottom view thereof; and,

FIG. 7 is a side view thereof, the opposite side view being a mirror image thereto.

The dash-dot line portion of the figure drawings is included to show unclaimed subject matter only and forms no part of the claimed design.

**1 Claim, 3 Drawing Sheets**



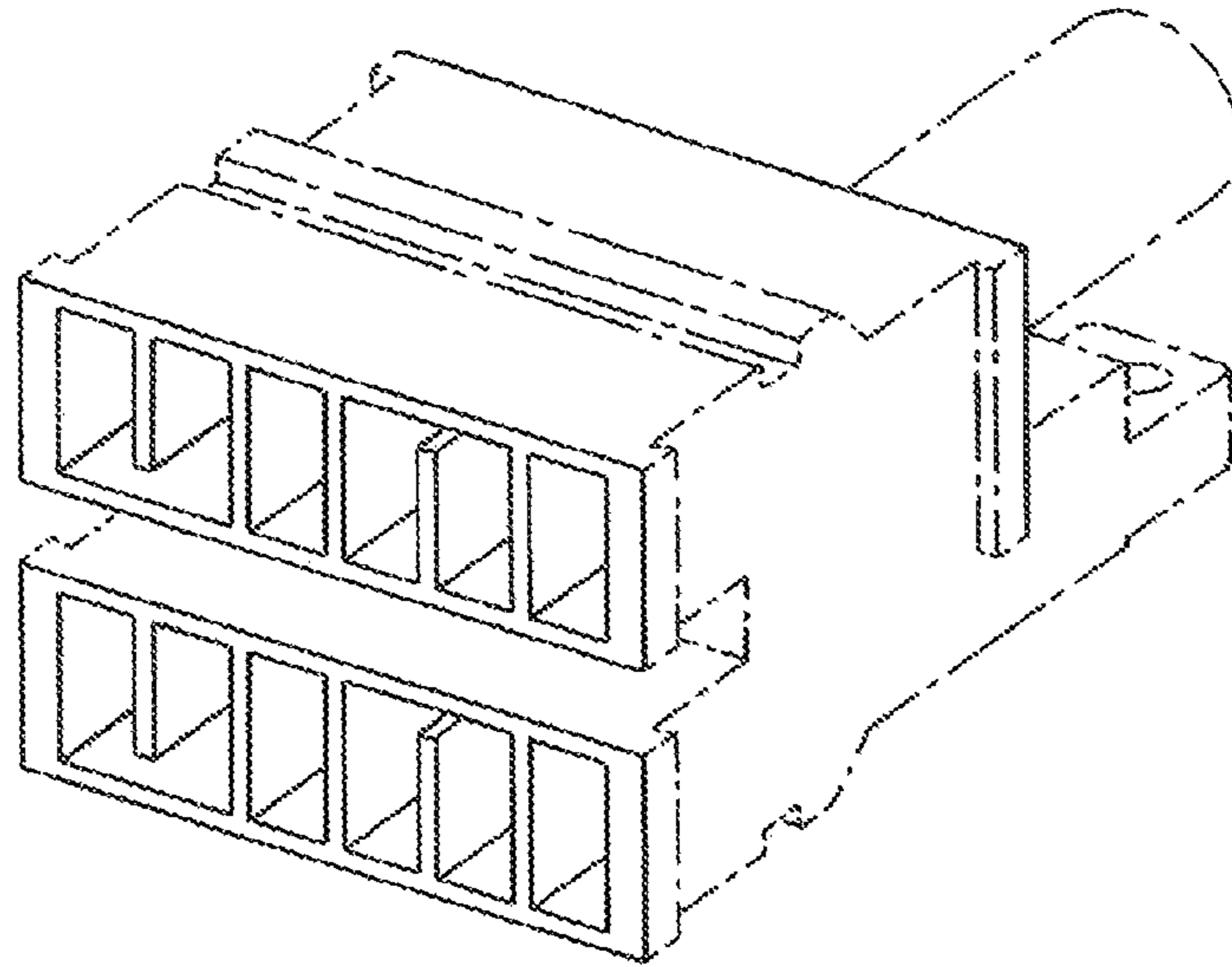


FIG. 1

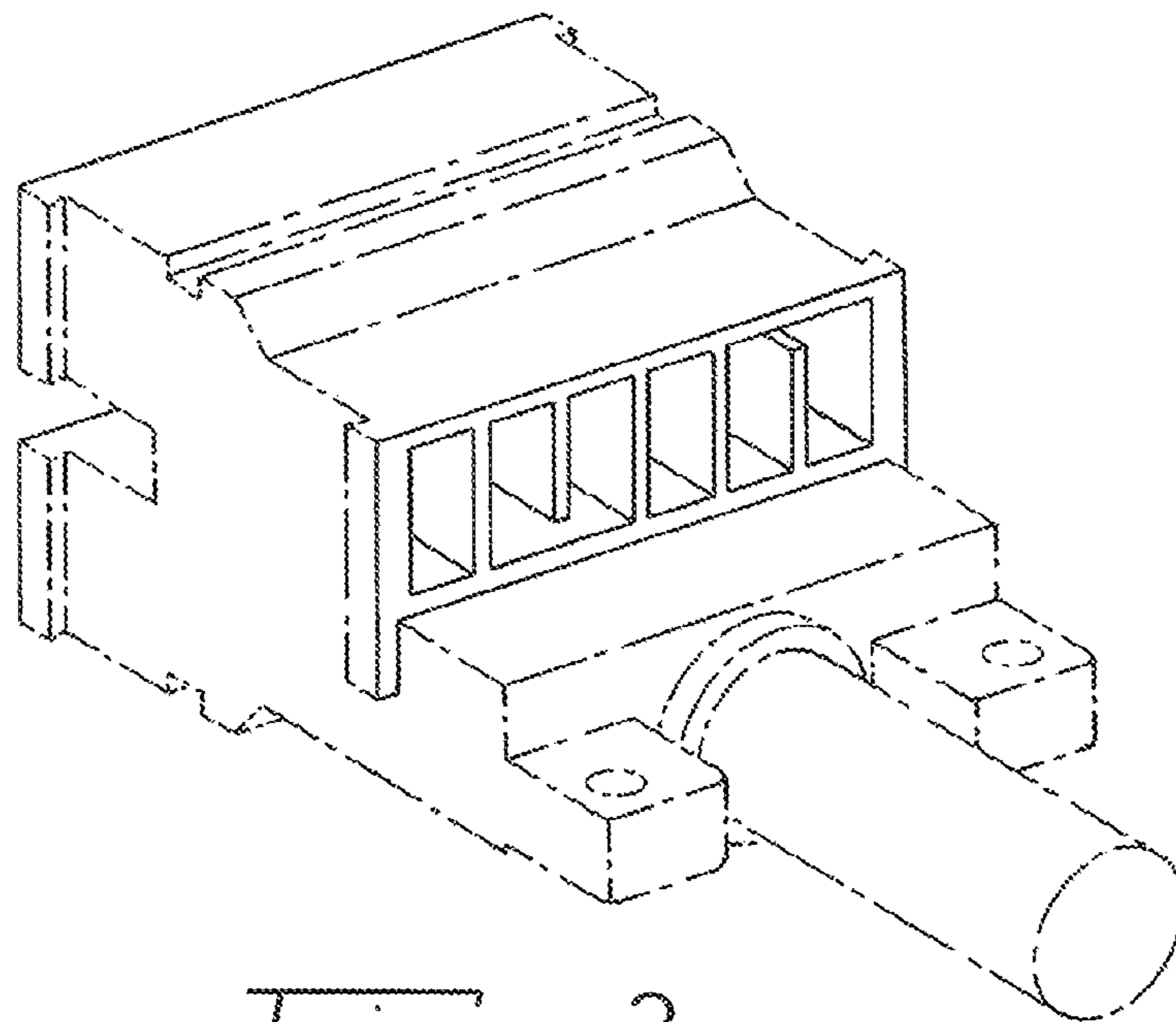


FIG. 2

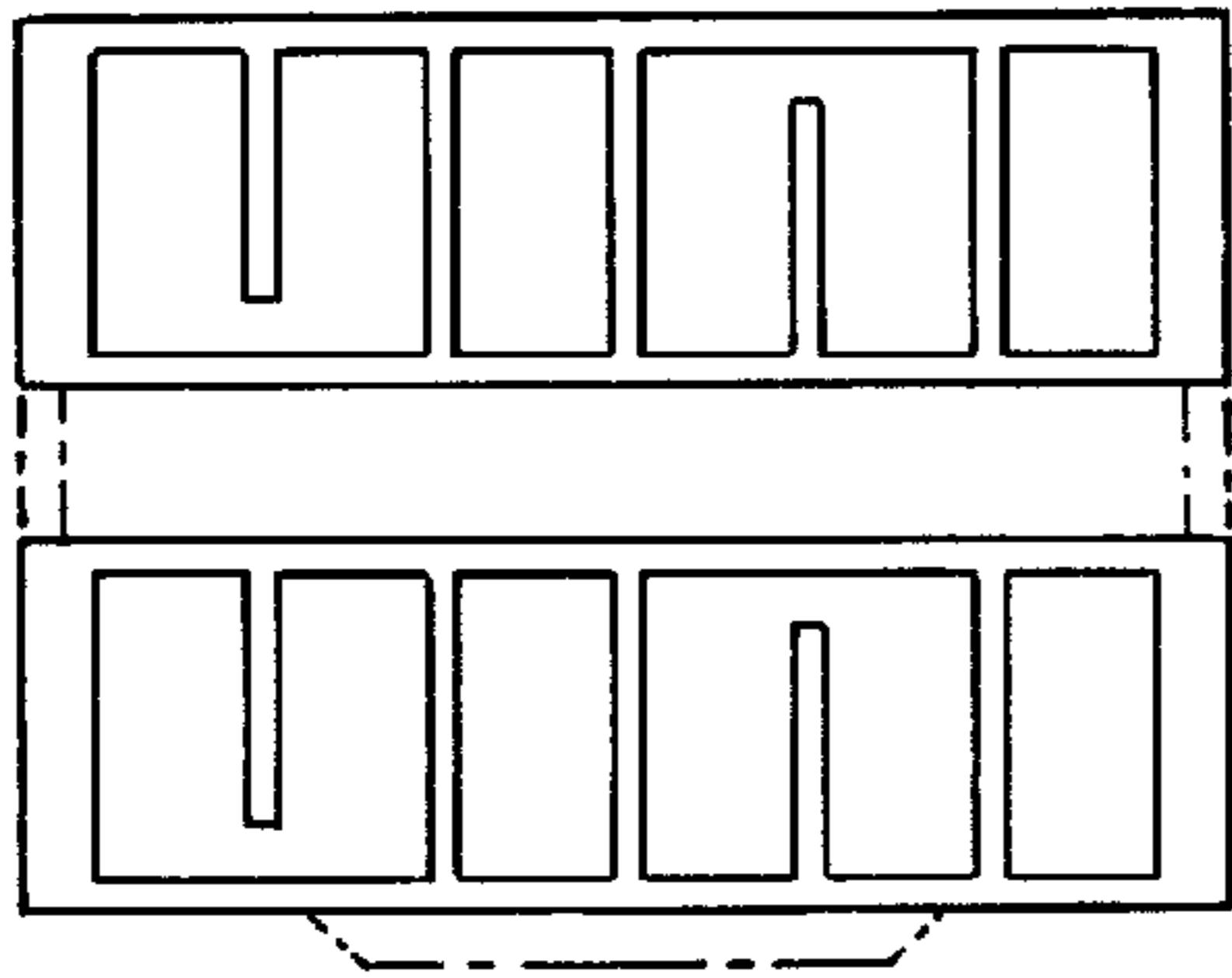


Fig. 3

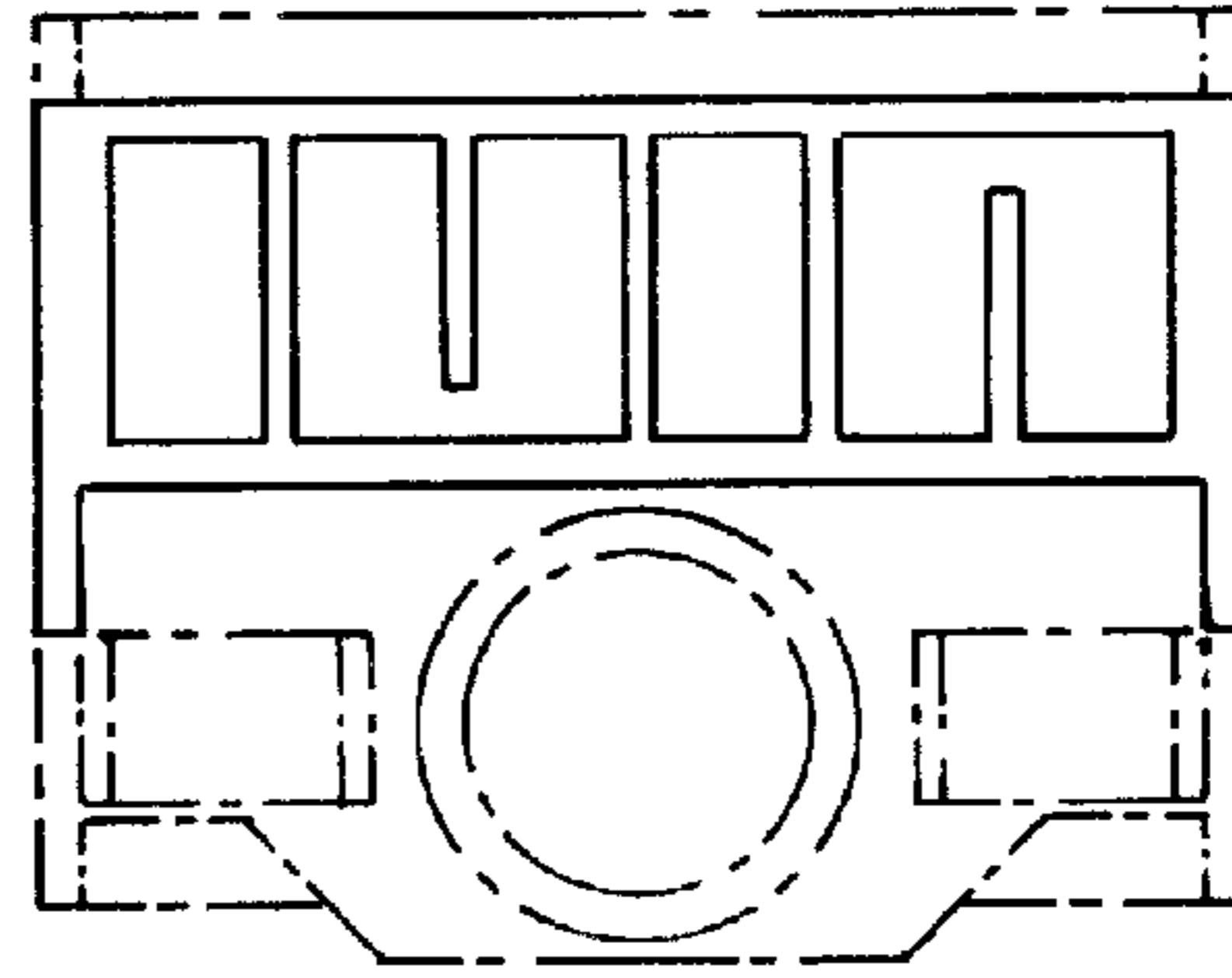


Fig. 4

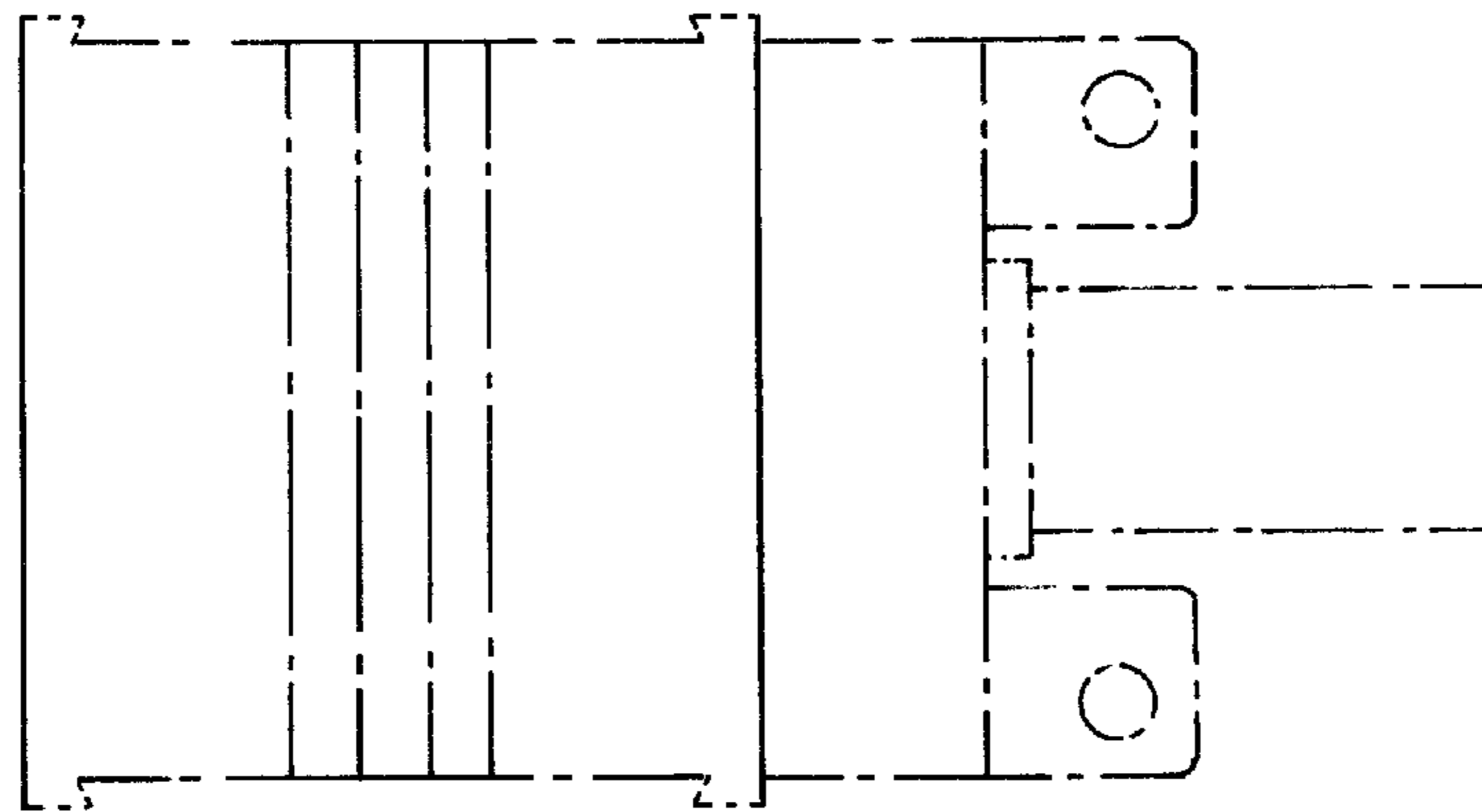


Fig. 5

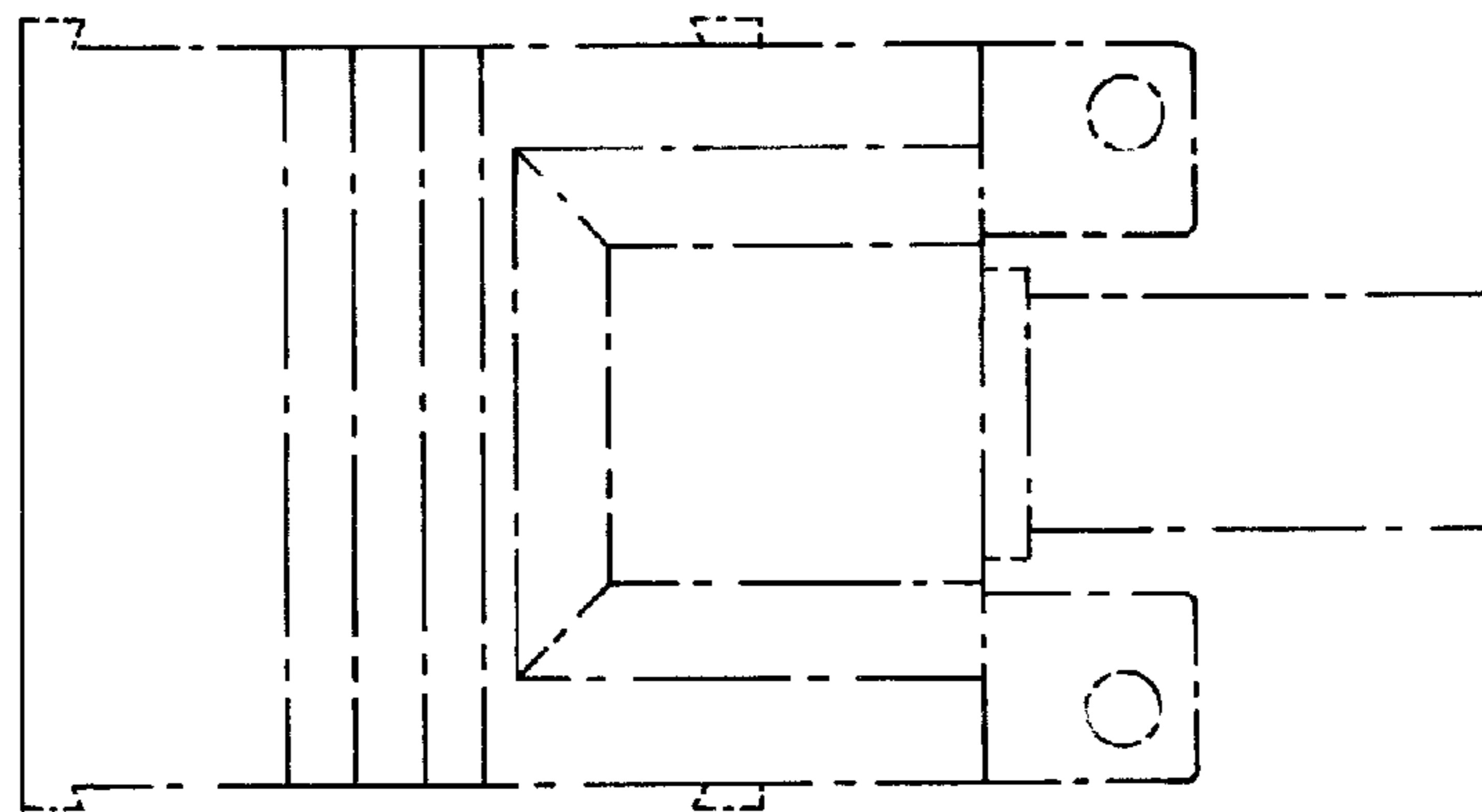


Fig. 6

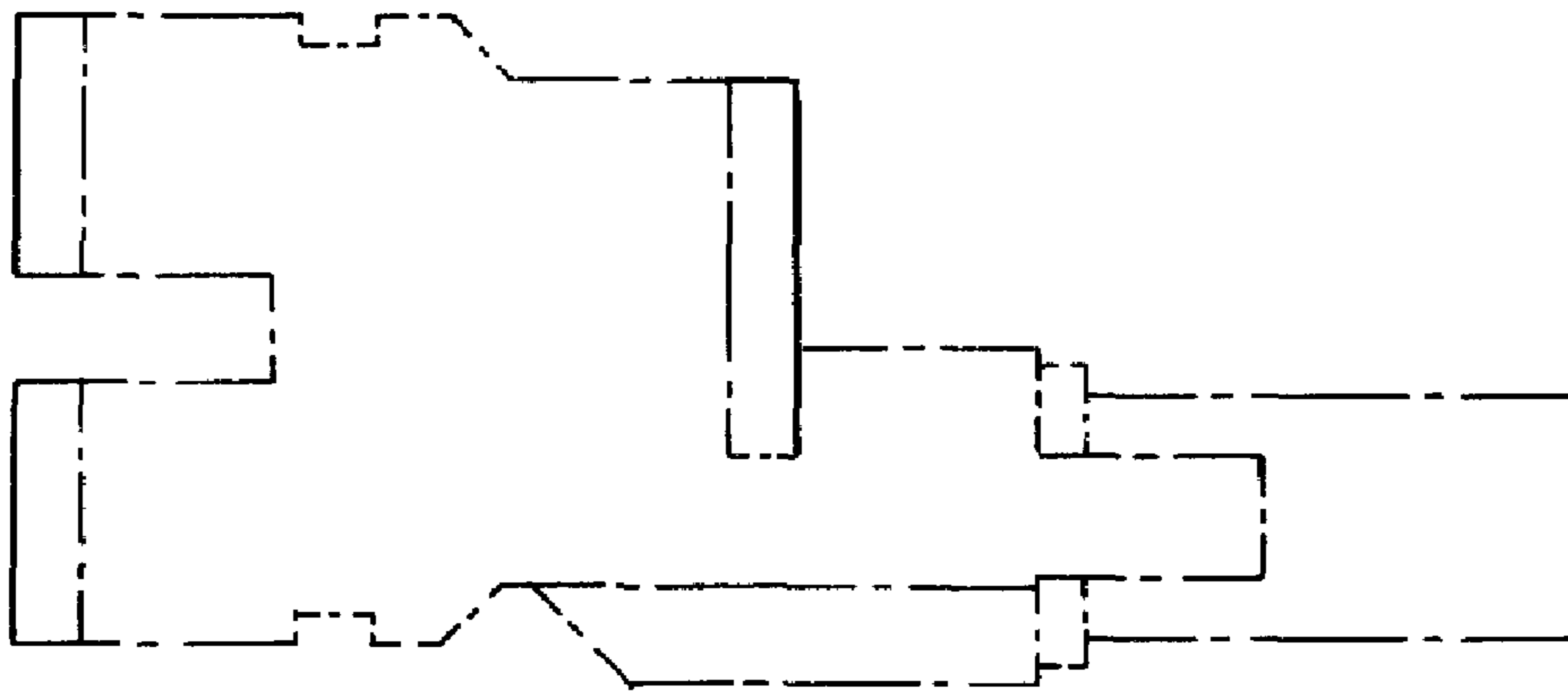


Fig. 7