



US00D583769S

(12) **United States Design Patent**
Hatano et al.

(10) **Patent No.:** **US D583,769 S**

(45) **Date of Patent:** **** Dec. 30, 2008**

(54) **ELECTRICAL CONNECTOR**

JP 11-126667 11/1999

(75) Inventors: **Takahiro Hatano**, Tokyo (JP); **Makiya Kimura**, Tokyo (JP); **Tomoyuki Takamoto**, Gunma (JP); **Shin Sakiyama**, Saitama (JP); **Takashi Sekizuka**, Saitama (JP)

* cited by examiner

Primary Examiner—Daniel D Bui
(74) *Attorney, Agent, or Firm*—Barley Snyder LLC

(73) Assignees: **Tyco Electronics AMP K.K.**, Kangawa-Ken (JP); **Advantest Corporation**, Tokyo (JP)

(57) **CLAIM**

The ornamental design for an electrical connector, as shown and described.

(**) Term: **14 Years**

DESCRIPTION

(21) Appl. No.: **29/304,417**

FIG. 1 is a front elevation view of an electrical connector, showing our new design;

(22) Filed: **Feb. 29, 2008**

FIG. 2 is a rear elevation view thereof;

(51) **LOC (8) Cl.** **13-03**

(52) **U.S. Cl.** **D13/147**

(58) **Field of Classification Search** D13/146–147, D13/154, 184; D14/432, 433, 436, 438; 439/64, 79, 108, 159–160, 260, 325, 326, 439/394–395, 607–610, 629–630, 946

FIG. 3 is a left side elevation view thereof;

FIG. 4 is a right side elevation view thereof;

FIG. 5 is a top plan view thereof;

FIG. 6 is a bottom plan view thereof;

FIG. 7 is a top plan view thereof showing cross section lines;

FIG. 8 is a top plan view thereof showing other cross section lines;

See application file for complete search history.

FIG. 9 is a cross sectional view thereof, taken along lines 9–9 in FIG. 7;

FIG. 10 is a cross sectional view thereof, taken along lines 10–10 in FIG. 8;

(56) **References Cited**

U.S. PATENT DOCUMENTS

D453,922 S *	2/2002	Azuma et al.	D13/147
D488,445 S *	4/2004	Kawase et al.	D13/147
D505,920 S *	6/2005	Moritake	D13/147
D517,490 S *	3/2006	Kawase et al.	D13/147
D543,944 S *	6/2007	Yamada et al.	D13/147

FIG. 11 is a top, front, and right side perspective view thereof, and,

FIG. 12 is a bottom, rear and right side perspective view thereof.

FOREIGN PATENT DOCUMENTS

JP 3-12383 2/1991

1 Claim, 12 Drawing Sheets

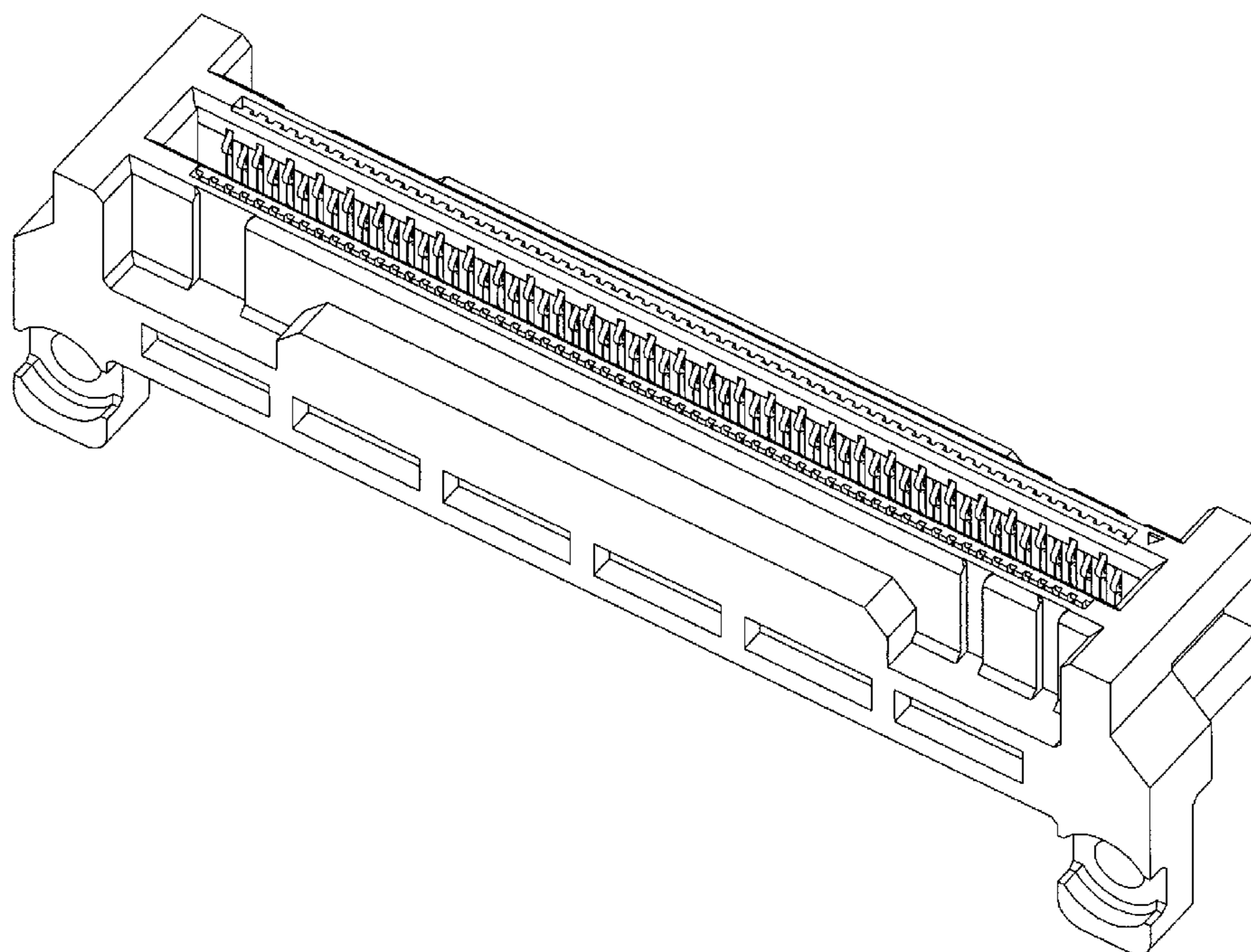


FIG. 1

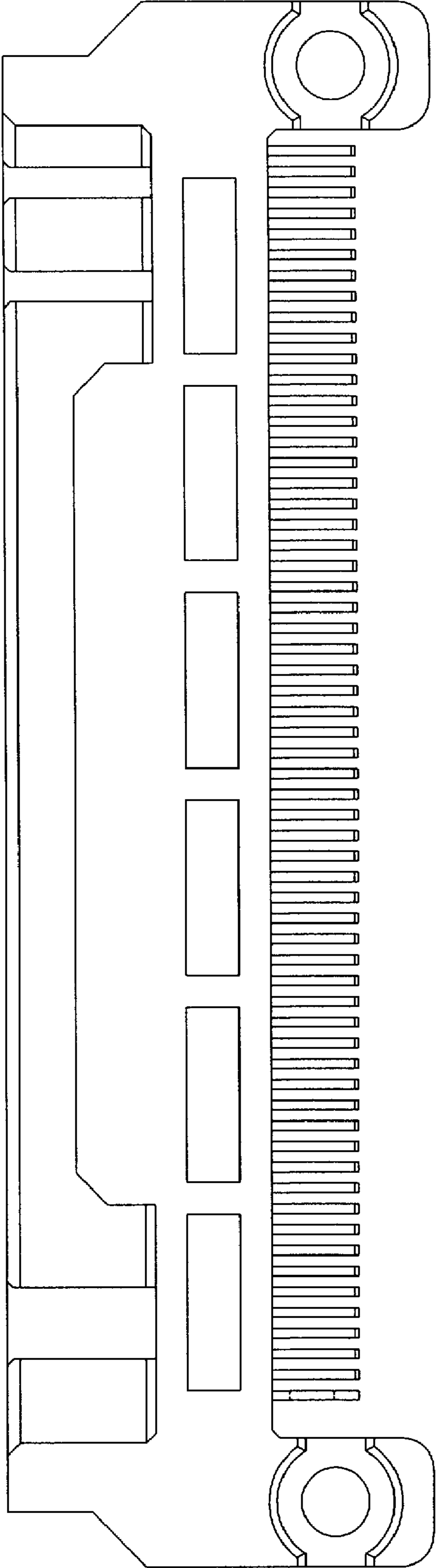


FIG. 2

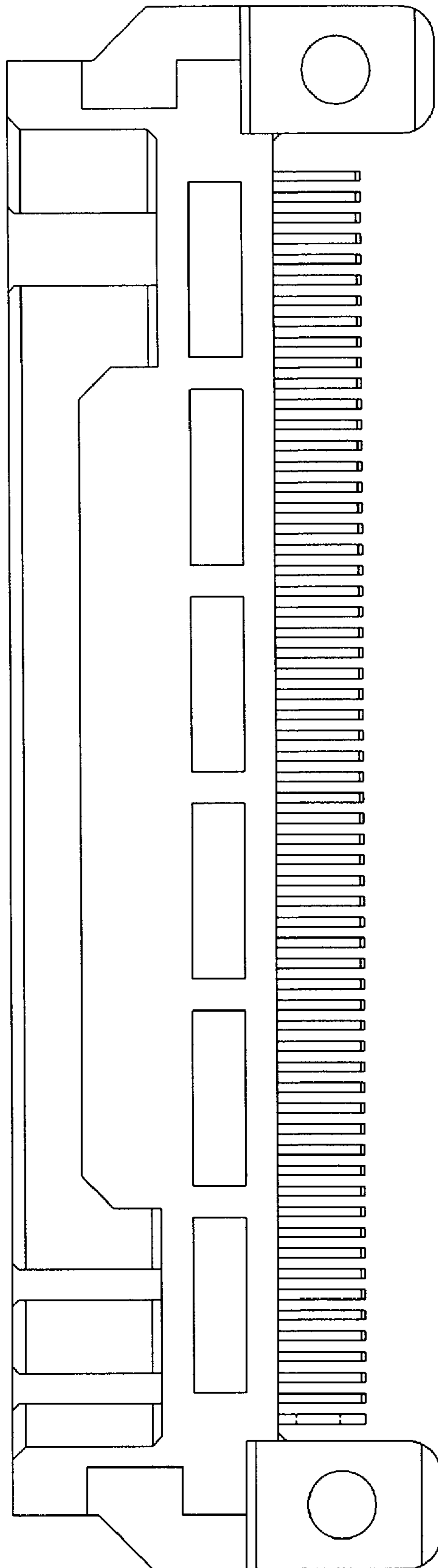


FIG. 3

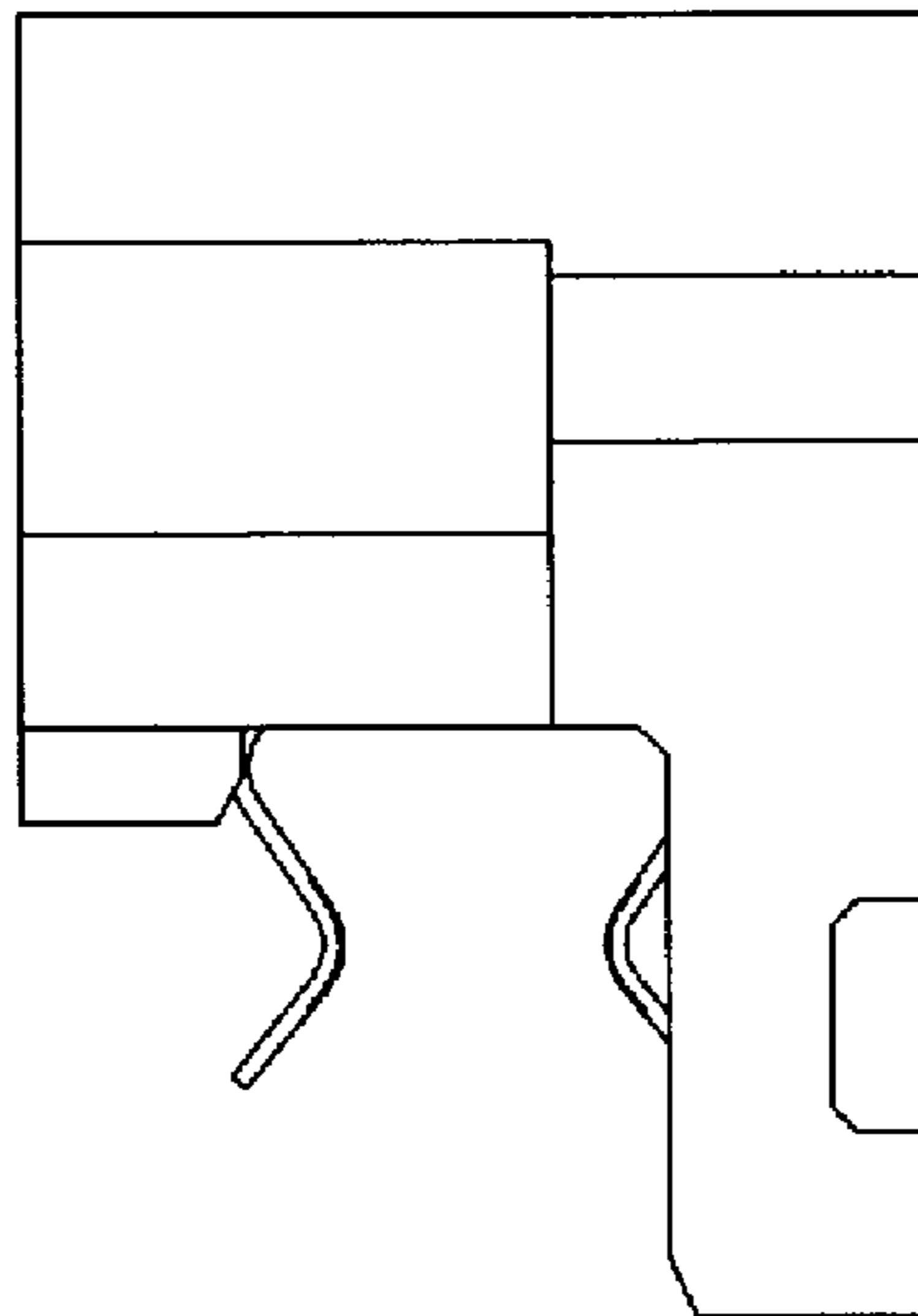


FIG. 4

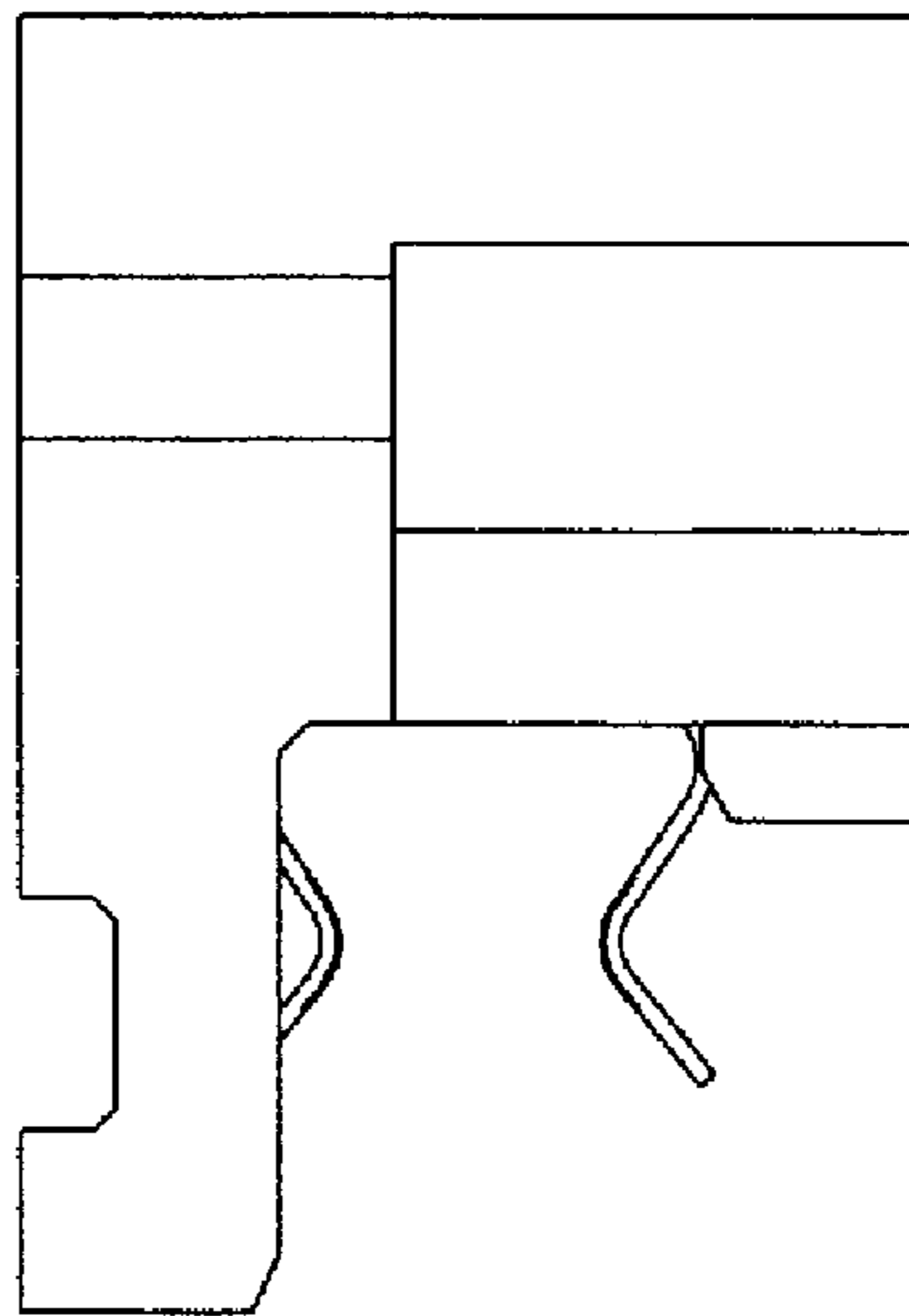


FIG. 5

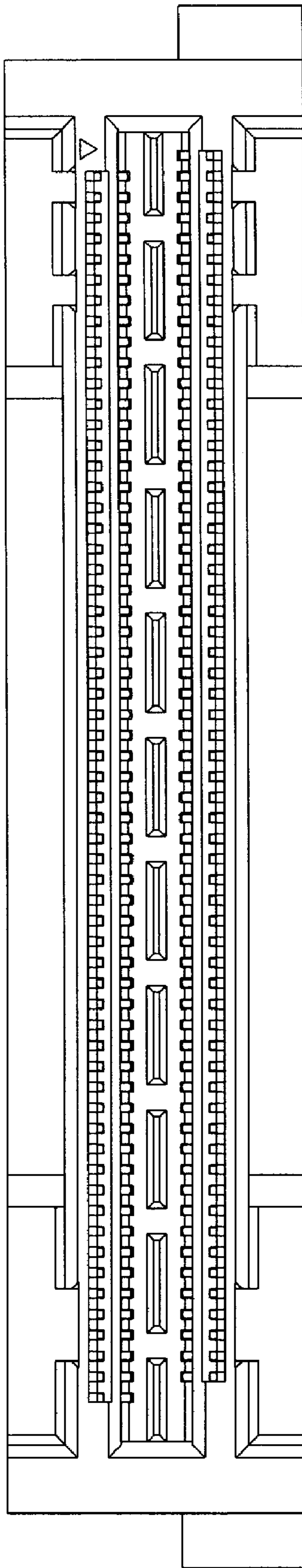


FIG. 6

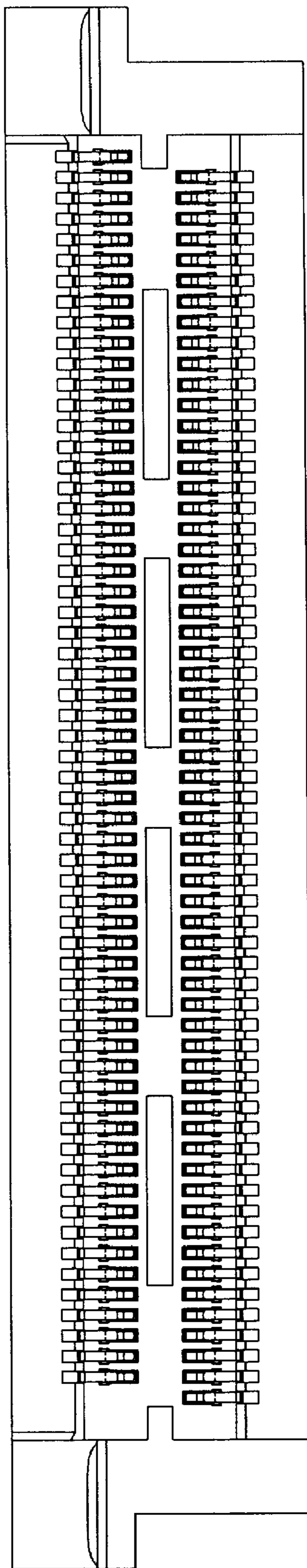


FIG. 7

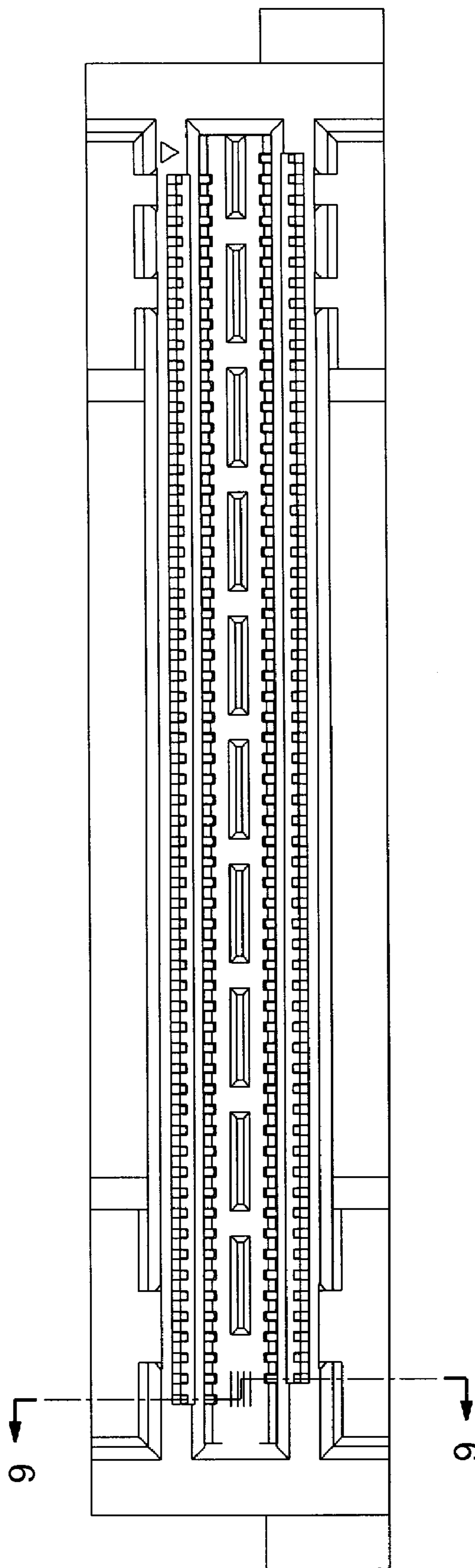


FIG. 8

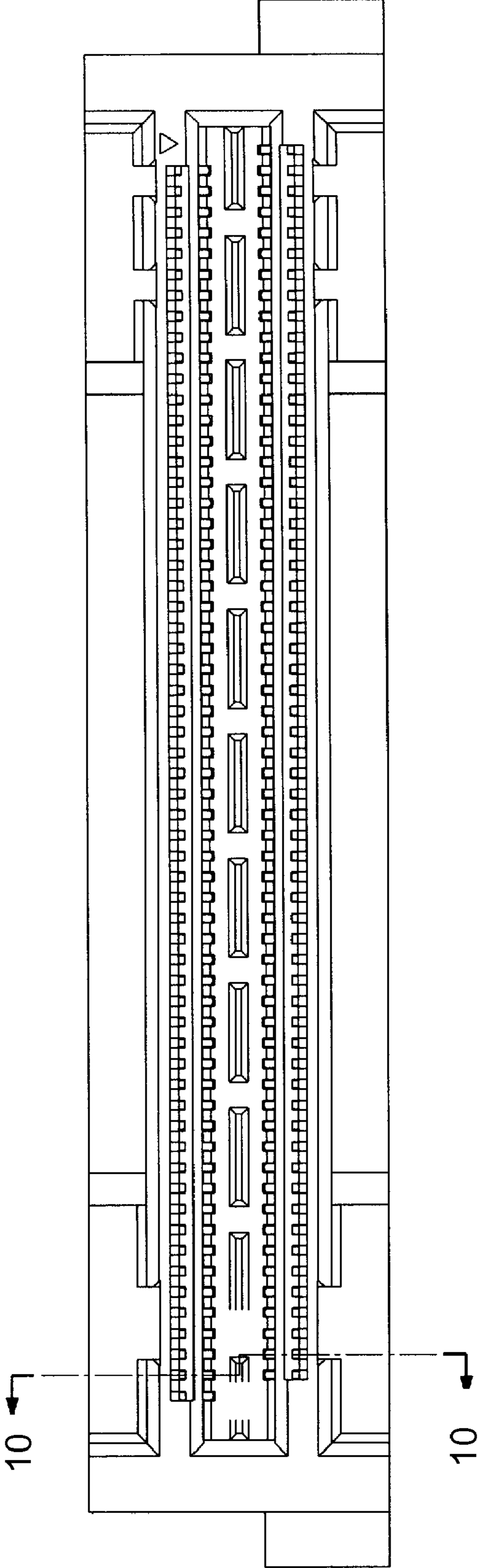


FIG. 9

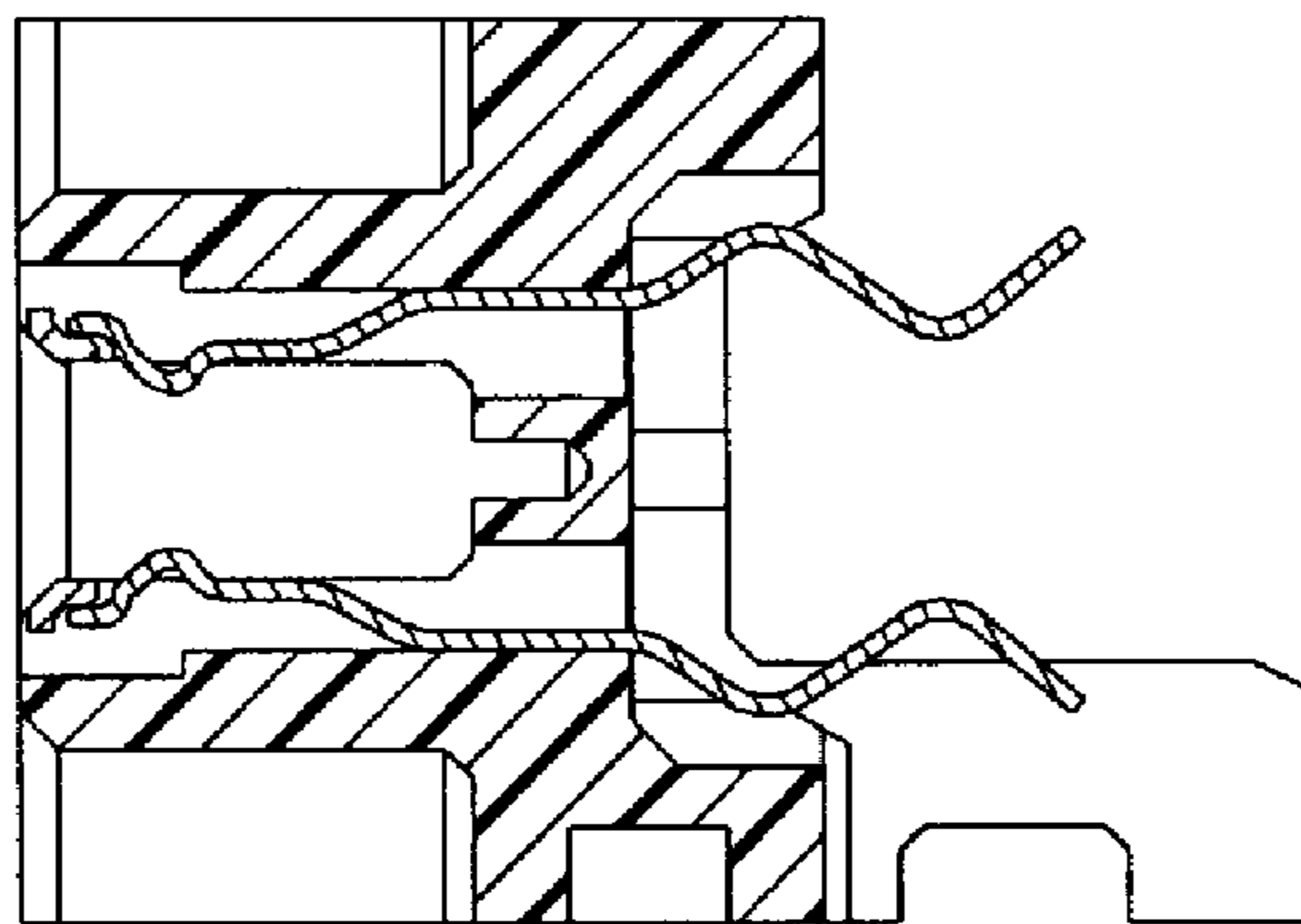


FIG. 10

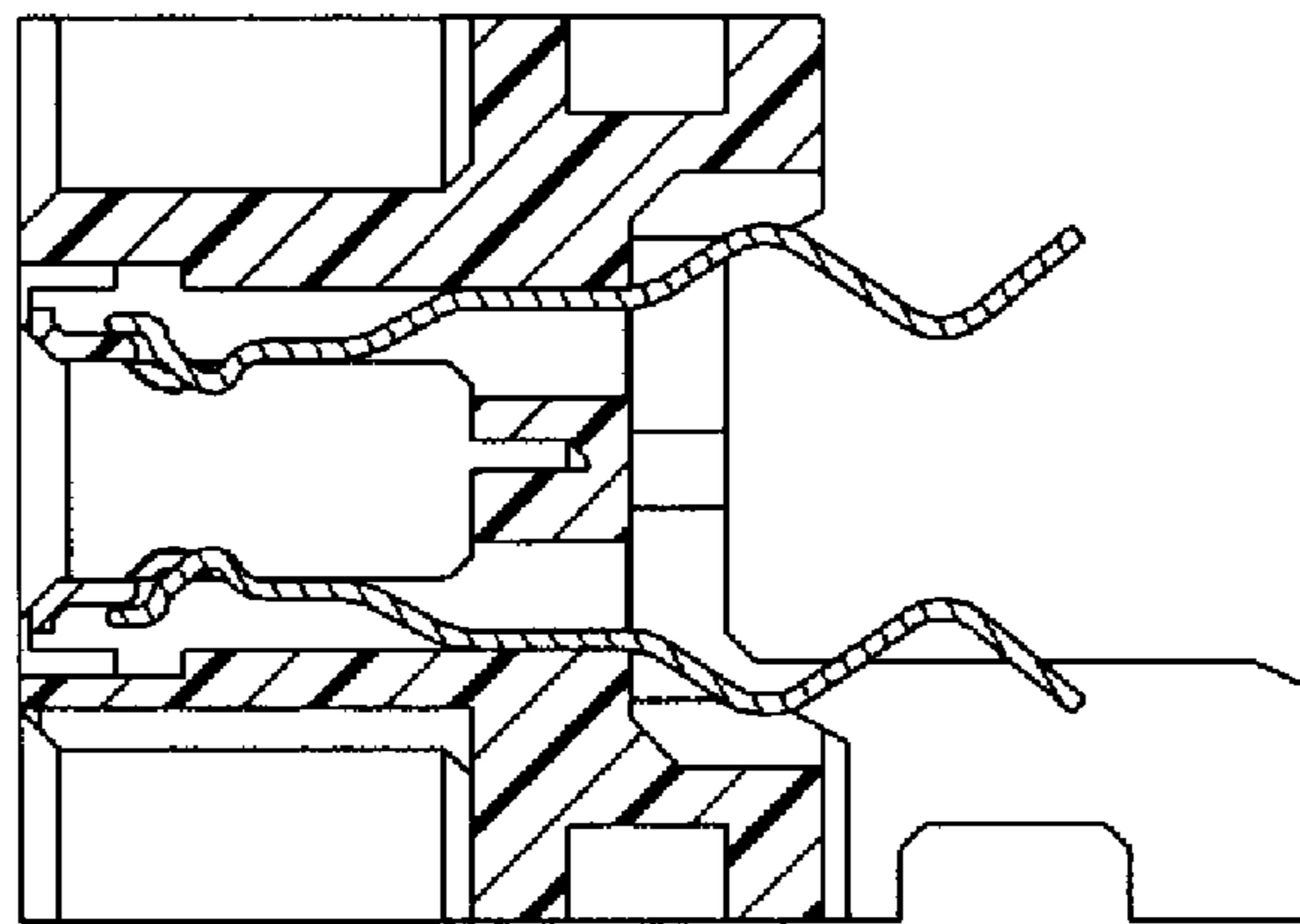


FIG. 11

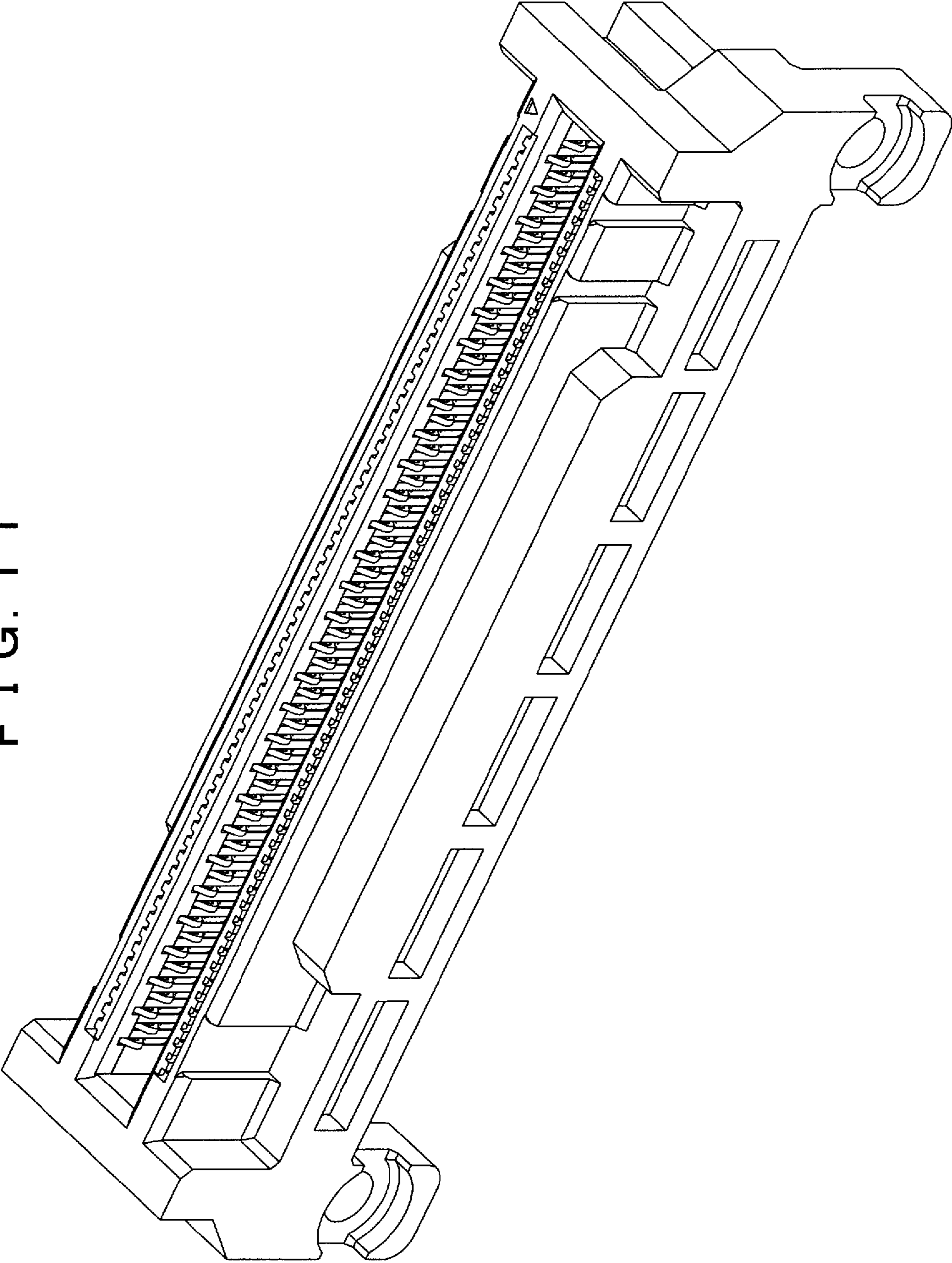


FIG. 12

