



US00D583767S

(12) **United States Design Patent**
Chiang

(10) **Patent No.:** **US D583,767 S**

(45) **Date of Patent:** **** Dec. 30, 2008**

(54) **RECEPTACLE CONNECTOR**

(75) Inventor: **Shu Man Chiang**, Tu-Cheng (TW)

(73) Assignee: **Cheng Uei Precision Industry Co., Ltd.**, Taipei Hsien (TW)

(**) Term: **14 Years**

(21) Appl. No.: **29/300,699**

(22) Filed: **Apr. 29, 2008**

(51) **LOC (8) Cl.** **13-03**

(52) **U.S. Cl.** **D13/147**

(58) **Field of Classification Search** D13/146-147,
D13/154, 184; 439/79, 108, 607-610, 660,
439/668, 680

See application file for complete search history.

(56) **References Cited**

U.S. PATENT DOCUMENTS

D416,863 S *	11/1999	Sato et al.	D13/147
D465,202 S *	11/2002	Kubota	D13/147
D482,331 S *	11/2003	Suzuki et al.	D13/147
D523,817 S *	6/2006	Nishio et al.	D13/147
D524,747 S *	7/2006	Nishio et al.	D13/147

D555,103 S * 11/2007 Iino et al. D13/147

* cited by examiner

Primary Examiner—Daniel D Bui

(74) *Attorney, Agent, or Firm*—Rosenberg, Klein & Lee

(57) **CLAIM**

The ornamental design for a receptacle connector, as shown and described.

DESCRIPTION

FIG. 1 is a perspective view of a receptacle connector showing my new design;

FIG. 2 is a front elevational view thereof;

FIG. 3 is a rear elevational view thereof;

FIG. 4 is a left side elevational view thereof;

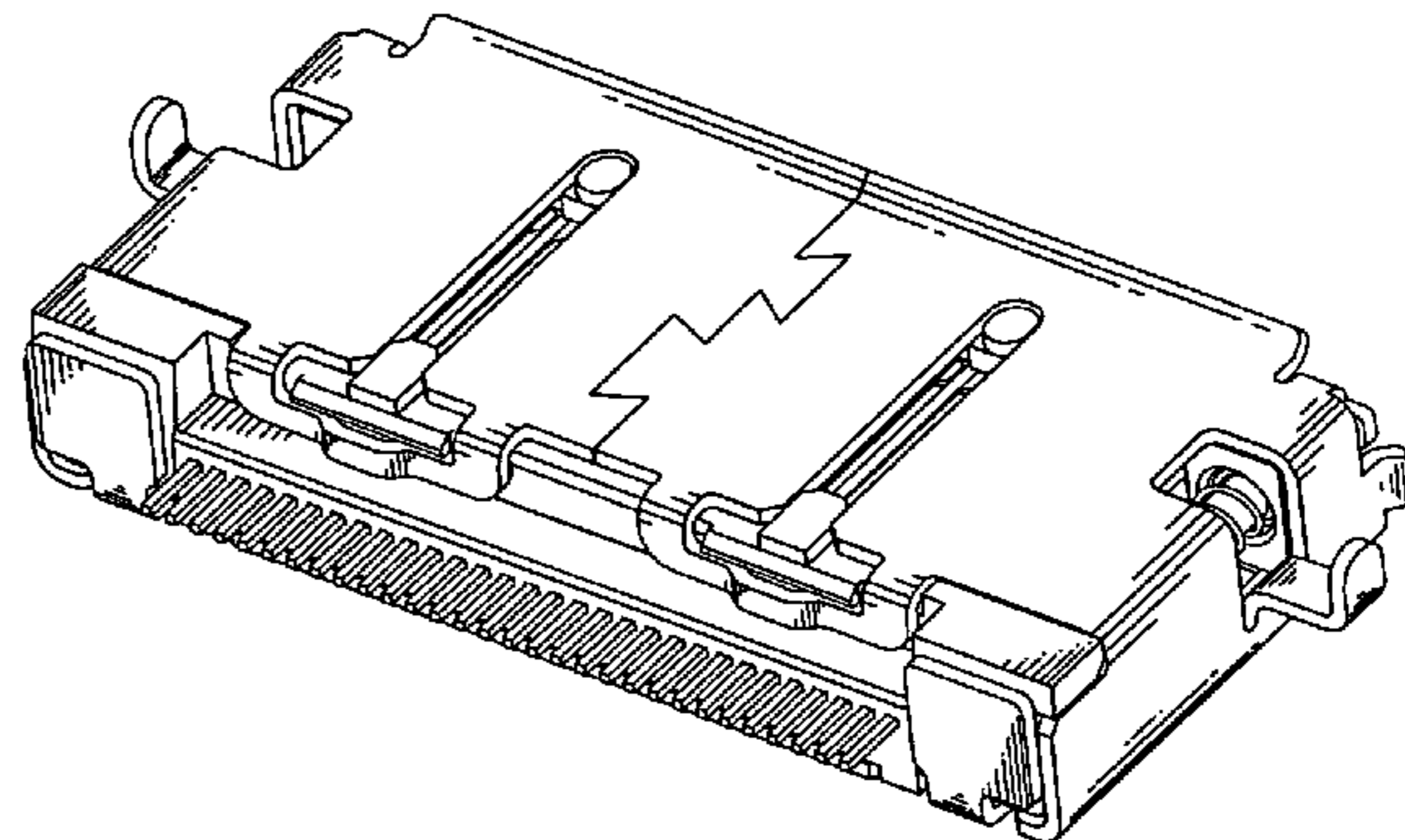
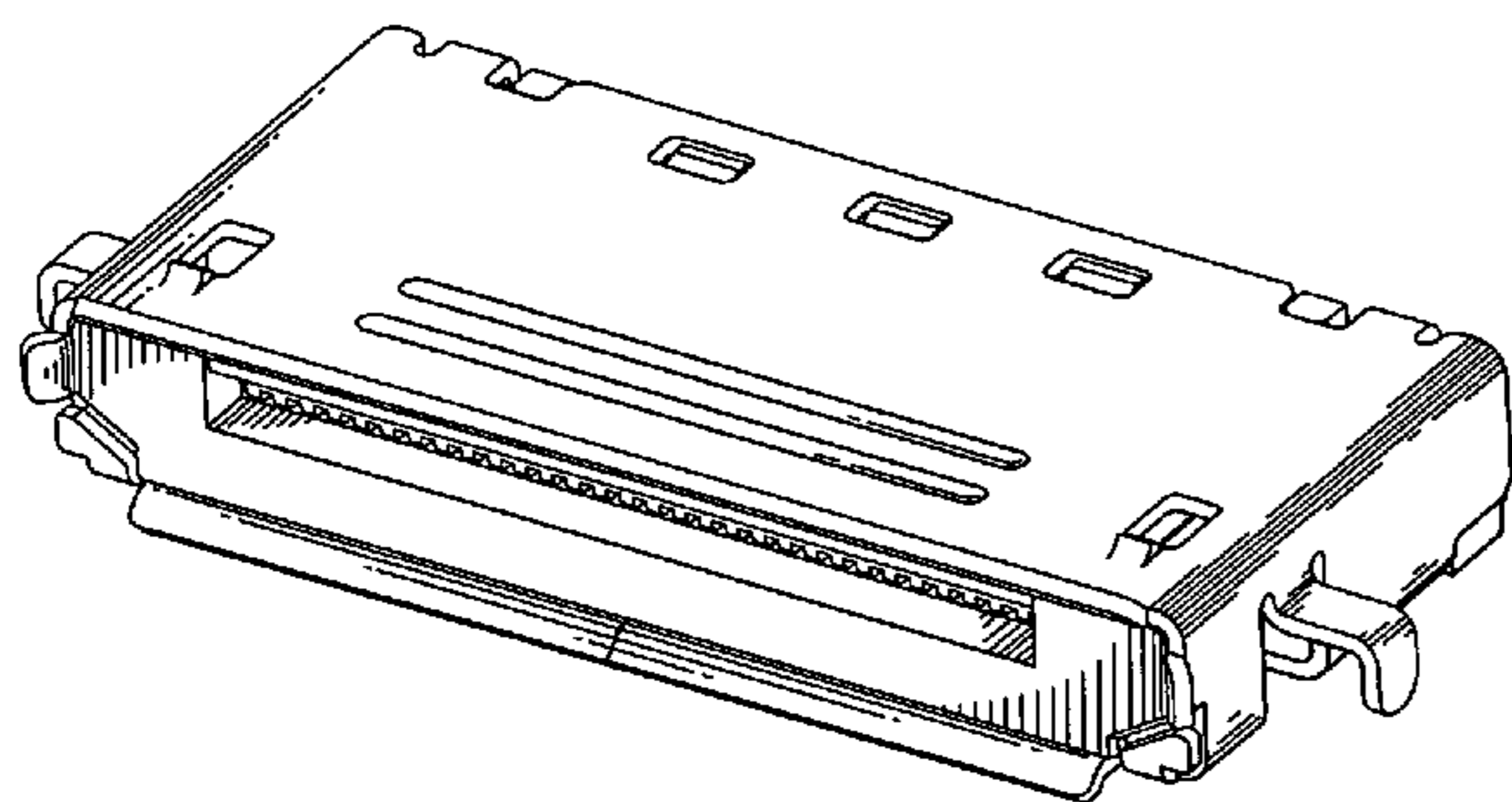
FIG. 5 is a right side elevational view thereof;

FIG. 6 is a top plan view thereof;

FIG. 7 is a bottom plan view thereof; and,

FIG. 8 is another perspective view of the receptacle connector showing my new design.

1 Claim, 8 Drawing Sheets



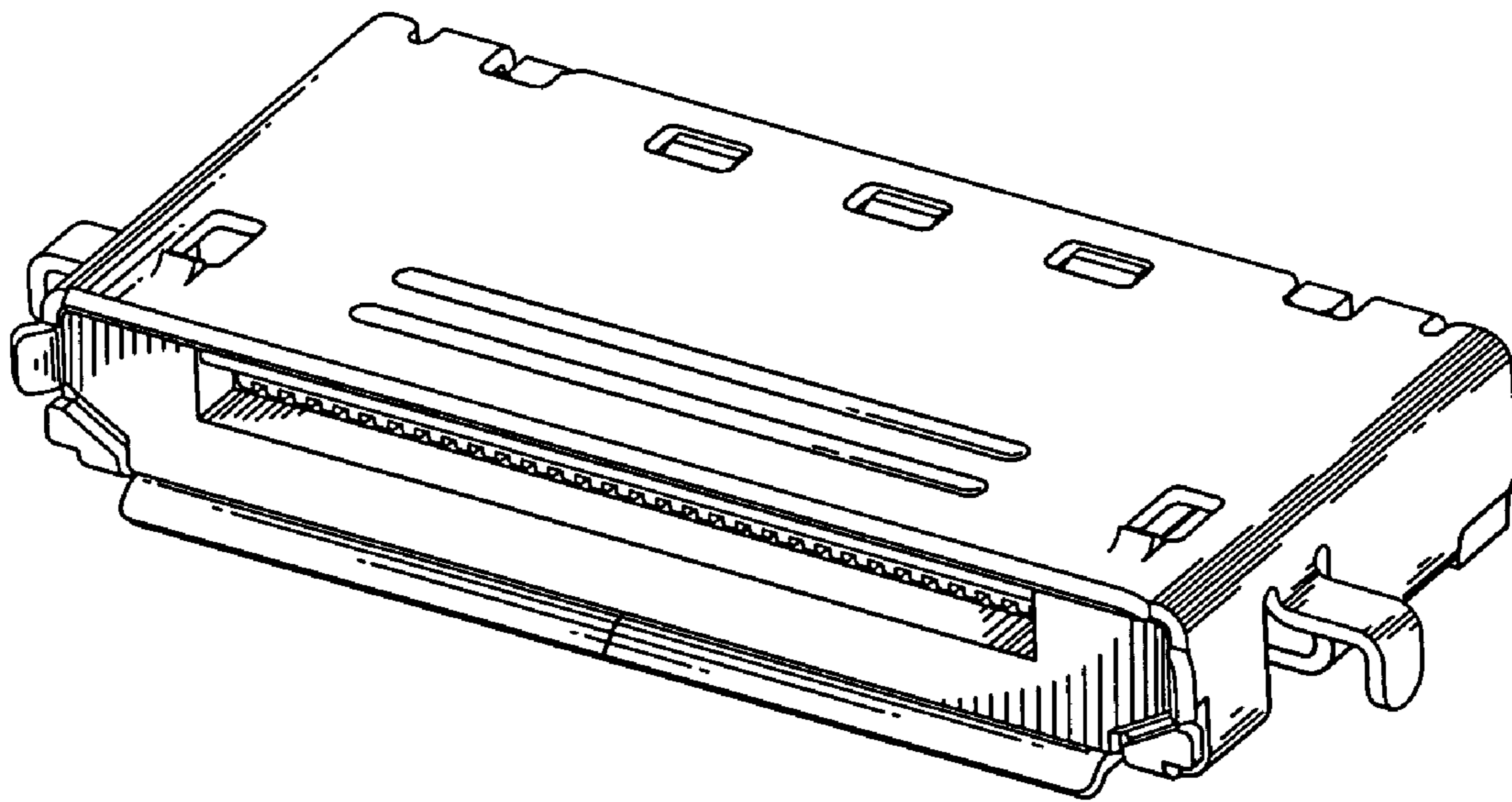


FIG. 1

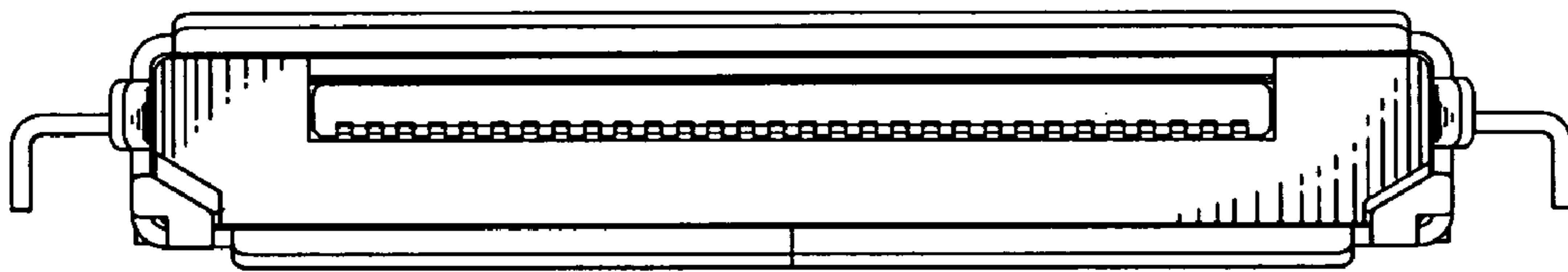


FIG. 2

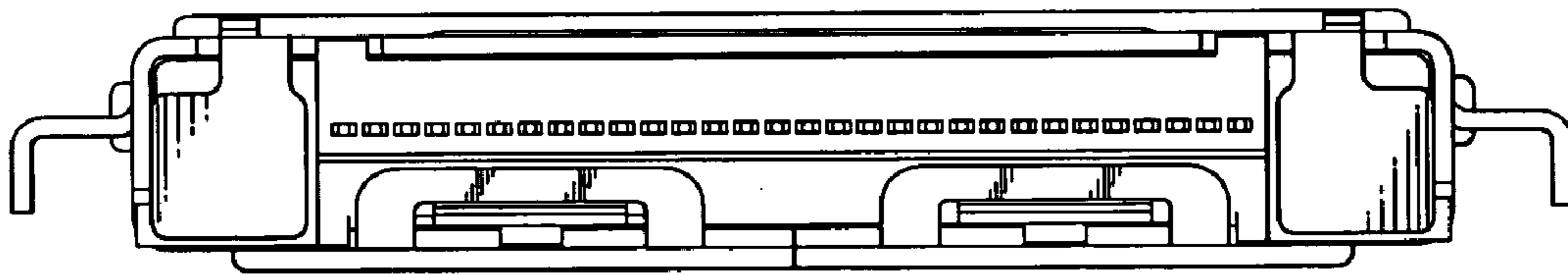


FIG. 3

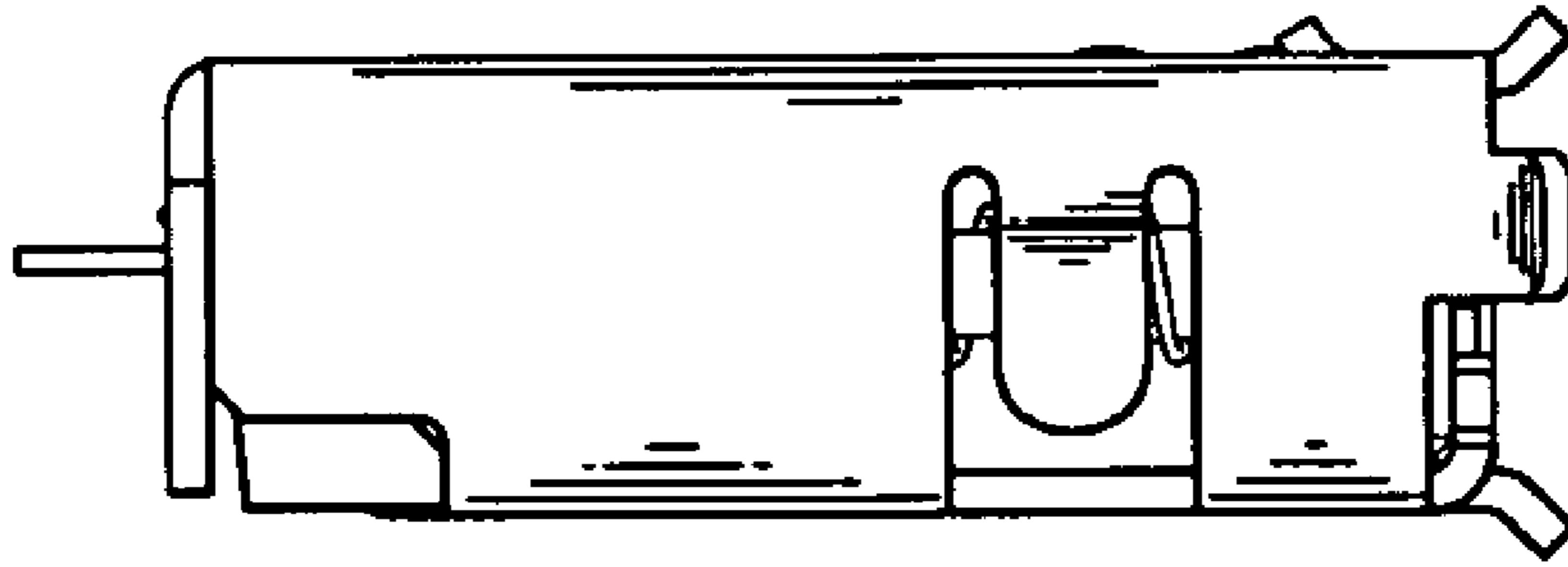


FIG. 4

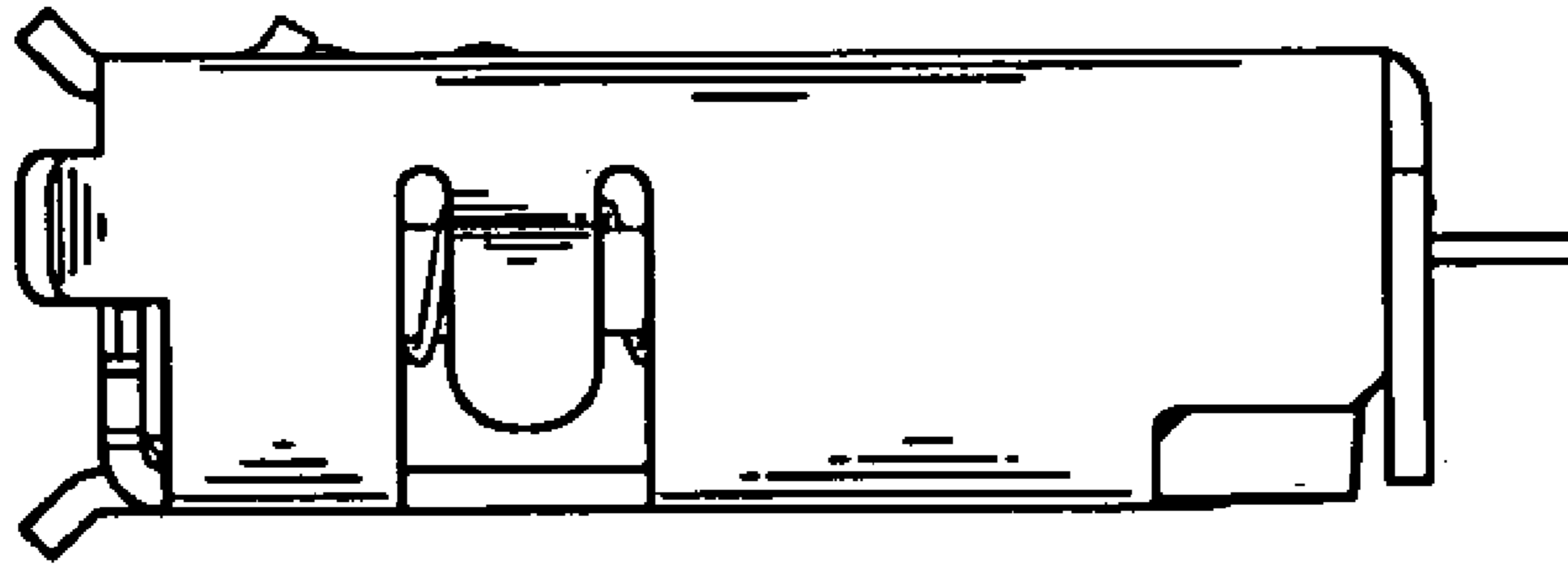


FIG. 5

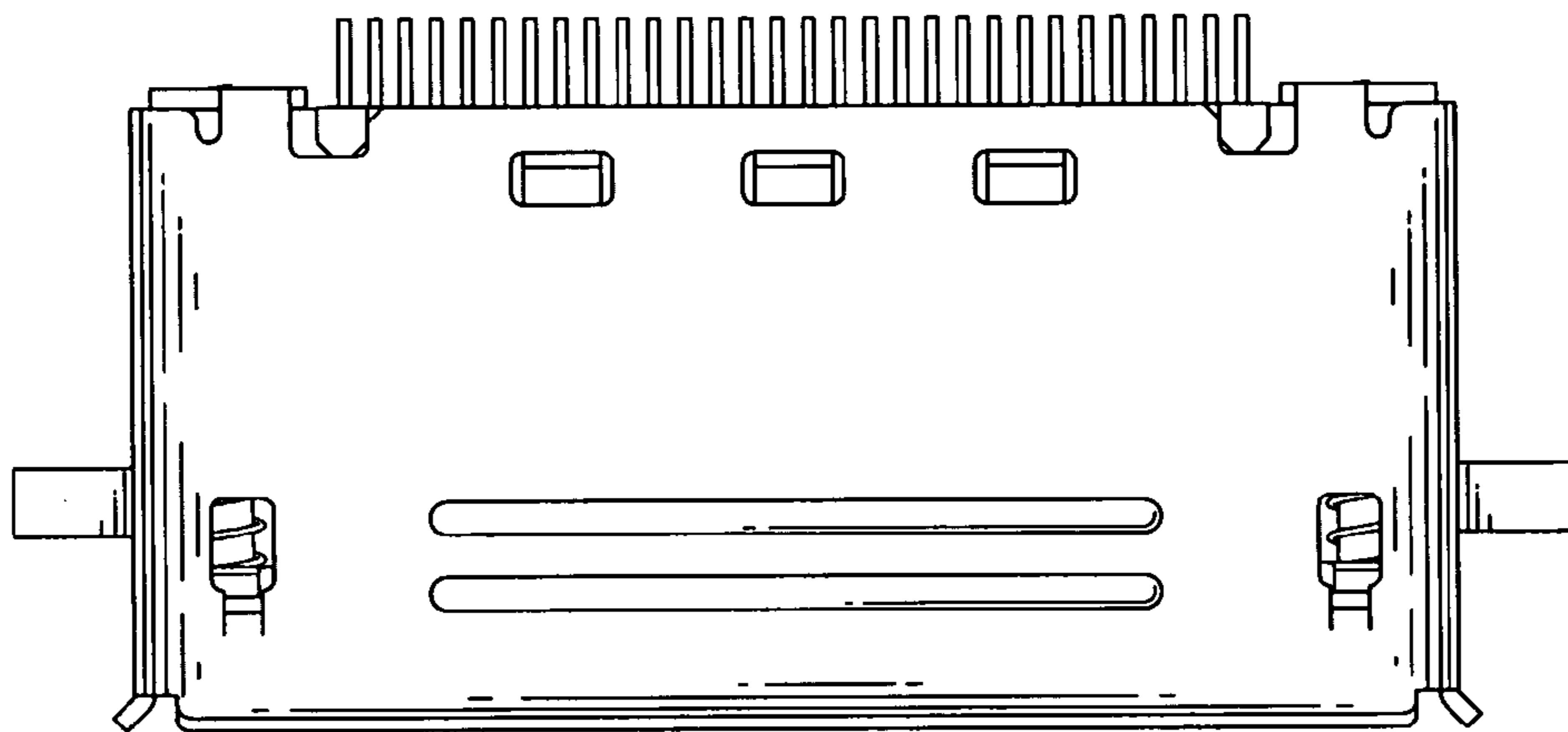


FIG. 6

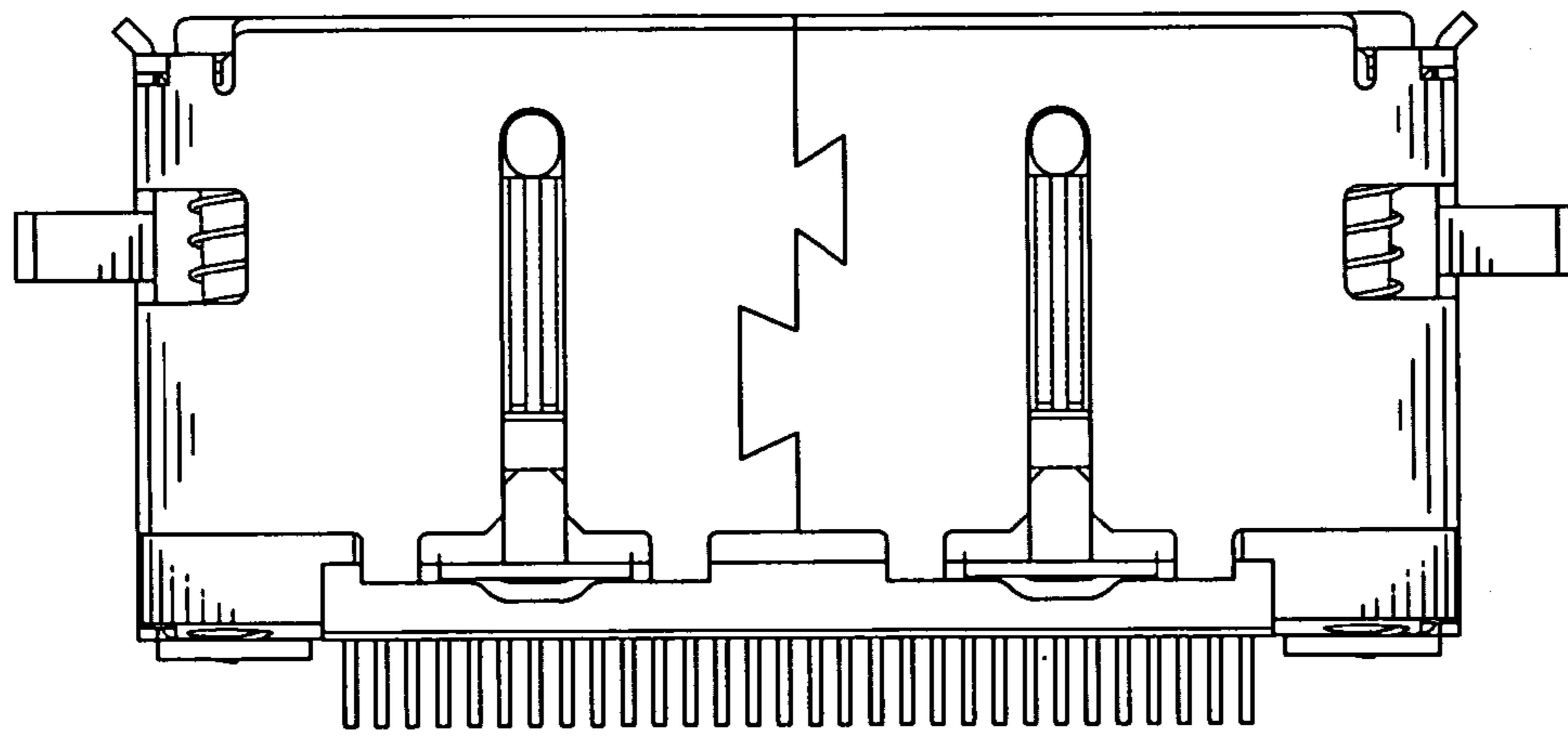


FIG. 7

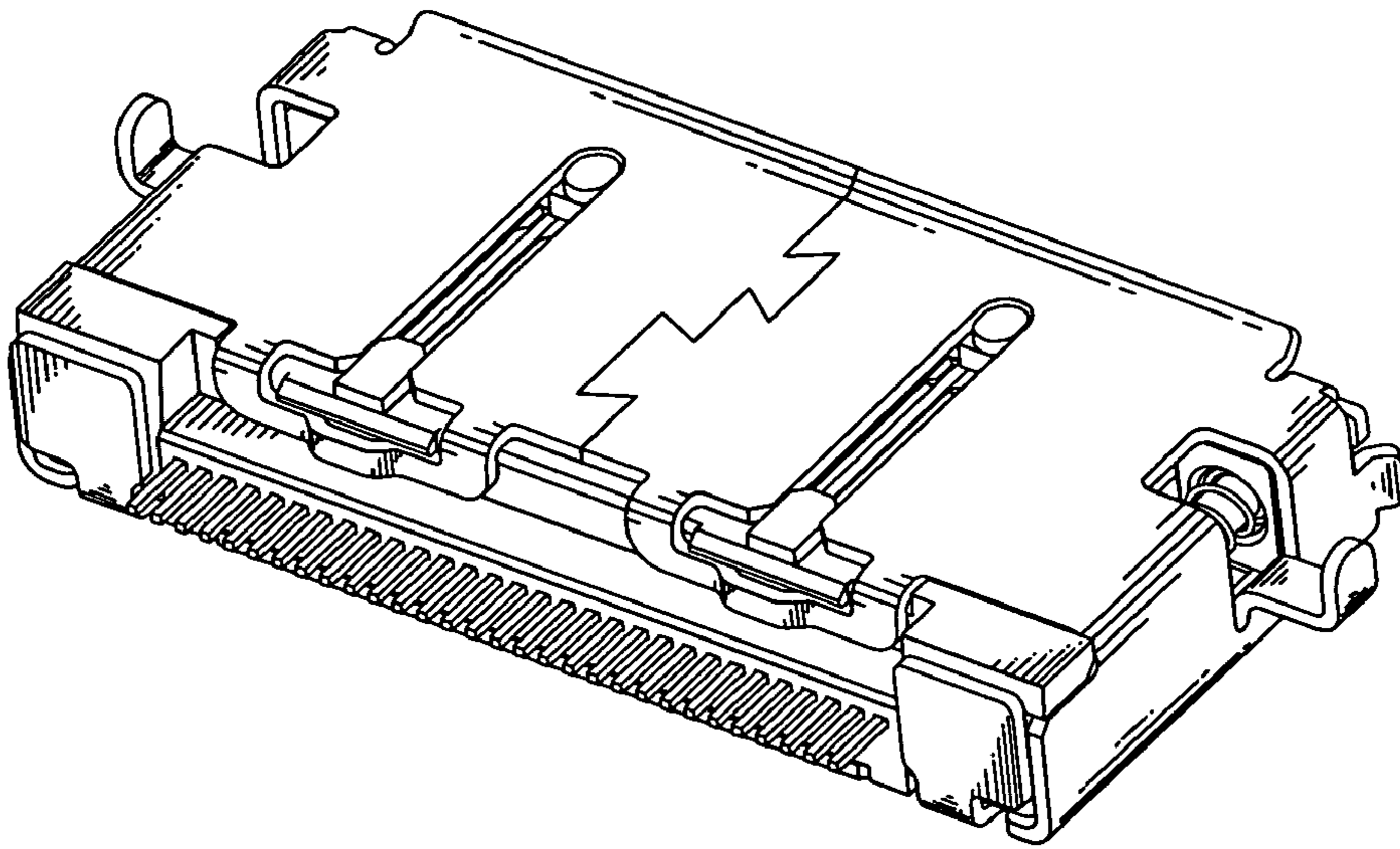


FIG. 8