



US00D583766S

(12) **United States Design Patent**
Chiang

(10) **Patent No.:** **US D583,766 S**

(45) **Date of Patent:** **** Dec. 30, 2008**

(54) **PLUG CONNECTOR**

(75) Inventor: **Shu Man Chiang**, Tu-Cheng (TW)

(73) Assignee: **Cheng Uei Precision Industry Co., Ltd.**, Taipei Hsien (TW)

(**) Term: **14 Years**

(21) Appl. No.: **29/300,463**

(22) Filed: **Mar. 28, 2008**

(51) **LOC (8) Cl.** **13-03**

(52) **U.S. Cl.** **D13/147**

(58) **Field of Classification Search** D13/146-147,
D13/154, 184; 439/79, 108, 607-610, 660,
439/668, 680

See application file for complete search history.

(56) **References Cited**

U.S. PATENT DOCUMENTS

D435,244 S *	12/2000	Lok	D13/147
D490,377 S *	5/2004	Sato	D13/147
D518,790 S *	4/2006	Nishio et al.	D13/147
D521,938 S *	5/2006	Nishio et al.	D13/147
D524,748 S *	7/2006	Chiang et al.	D13/147
D527,347 S *	8/2006	Shang Yen et al.	D13/147

D556,690 S * 12/2007 Ikegami D13/147

* cited by examiner

Primary Examiner—Daniel D Bui

(74) *Attorney, Agent, or Firm*—Rosenberg, Klein & Lee

(57) **CLAIM**

The ornamental design for a plug connector, as shown and described.

DESCRIPTION

FIG. 1 is a front, top and right side perspective view of a plug connector showing my new design;

FIG. 2 is a front elevational view thereof;

FIG. 3 is a rear elevational view thereof;

FIG. 4 is a left side elevational view thereof;

FIG. 5 is a right side elevational view thereof;

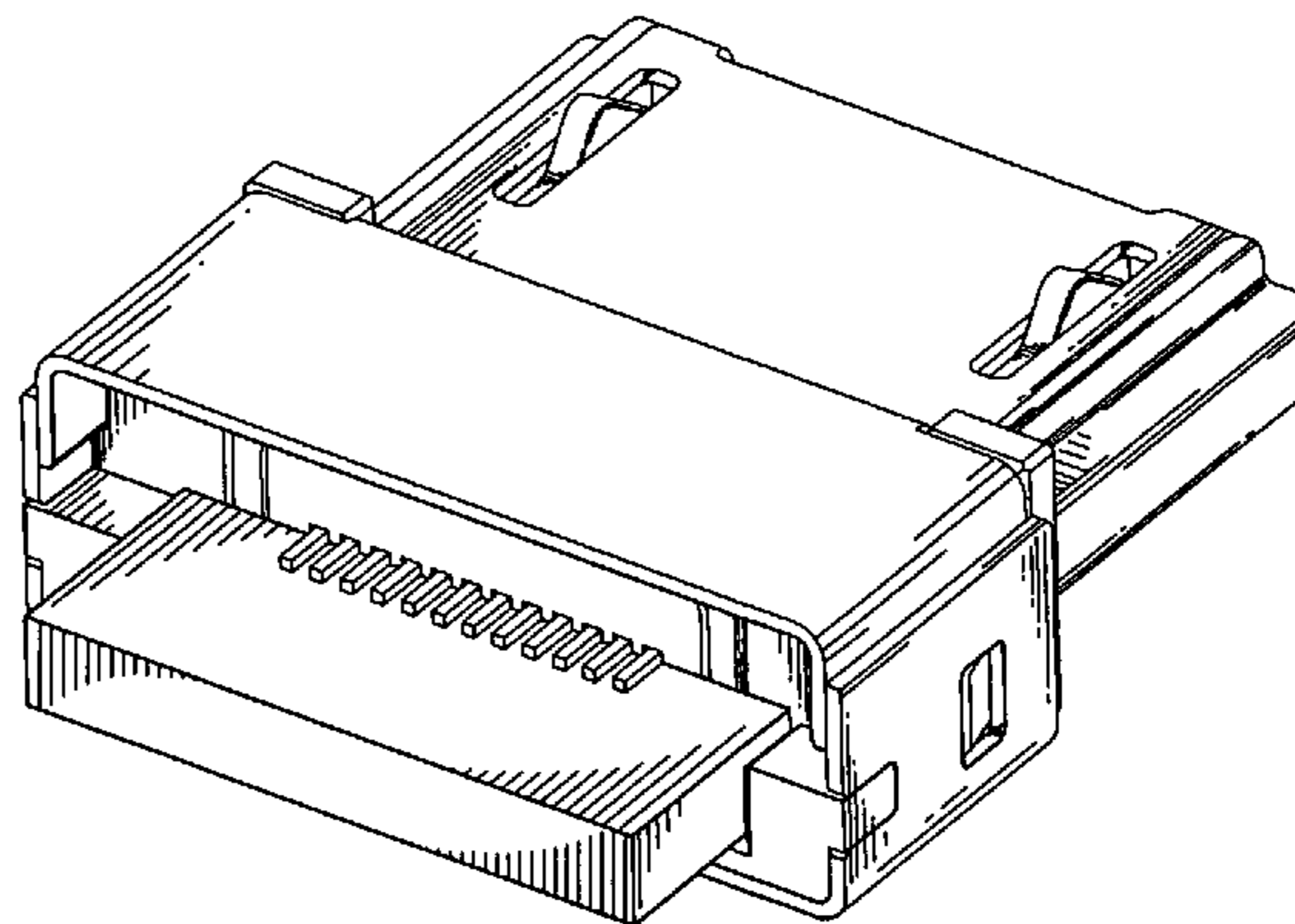
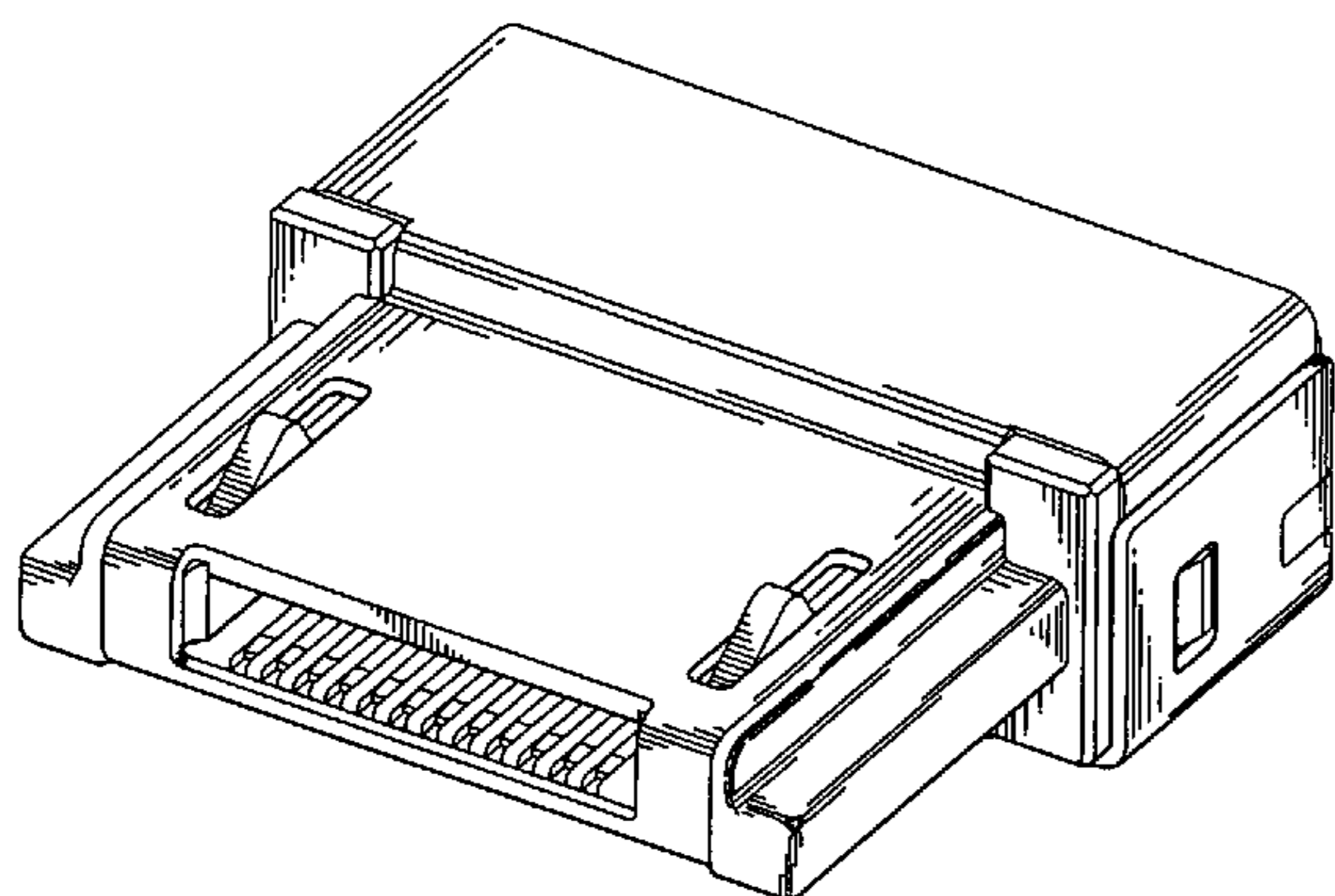
FIG. 6 is a top plan view thereof;

FIG. 7 is a bottom plan view thereof;

FIG. 8 is a rear, top and left side perspective view thereof; and,

FIG. 9 is a front, bottom and left side perspective view thereof.

1 Claim, 9 Drawing Sheets



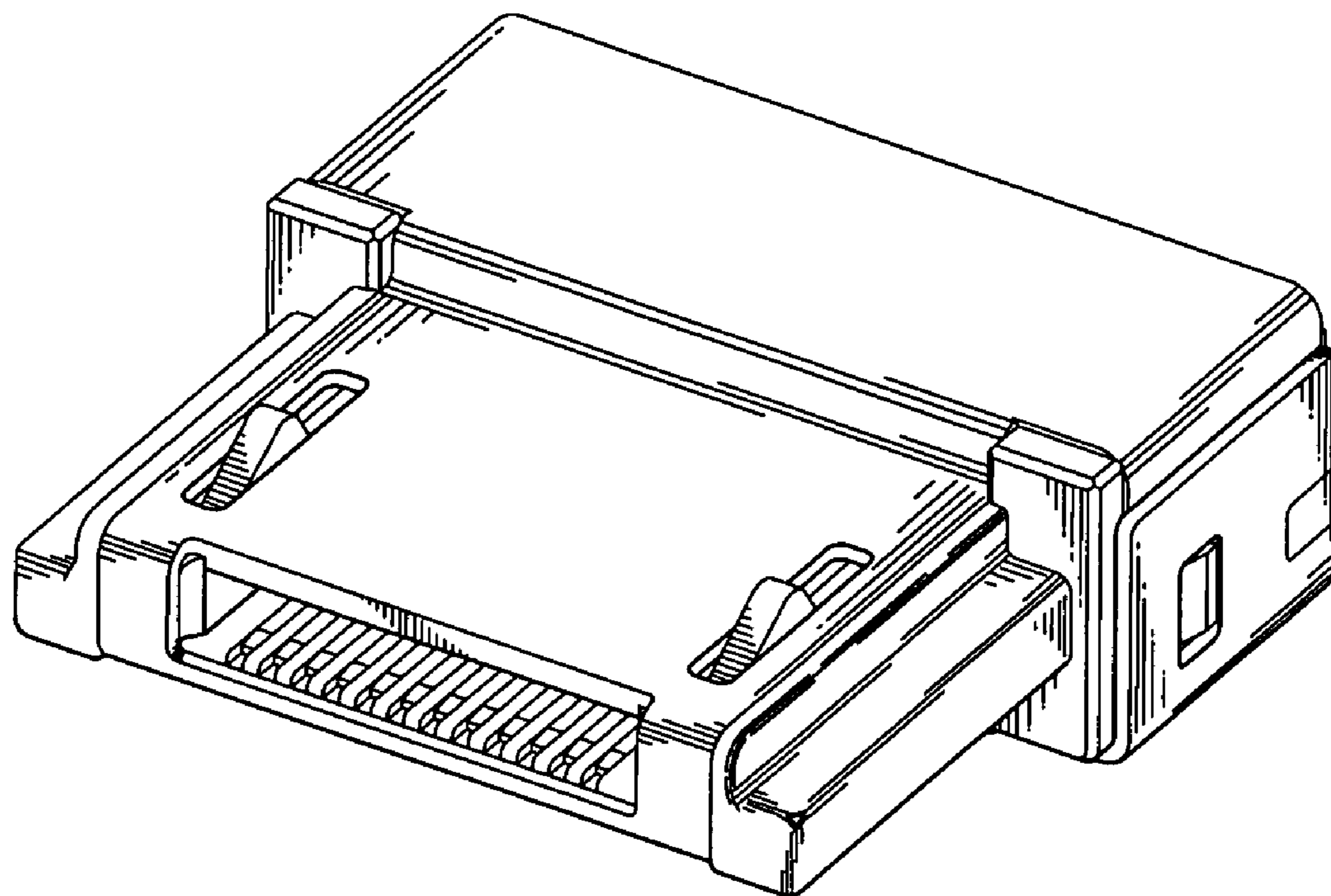


FIG. 1

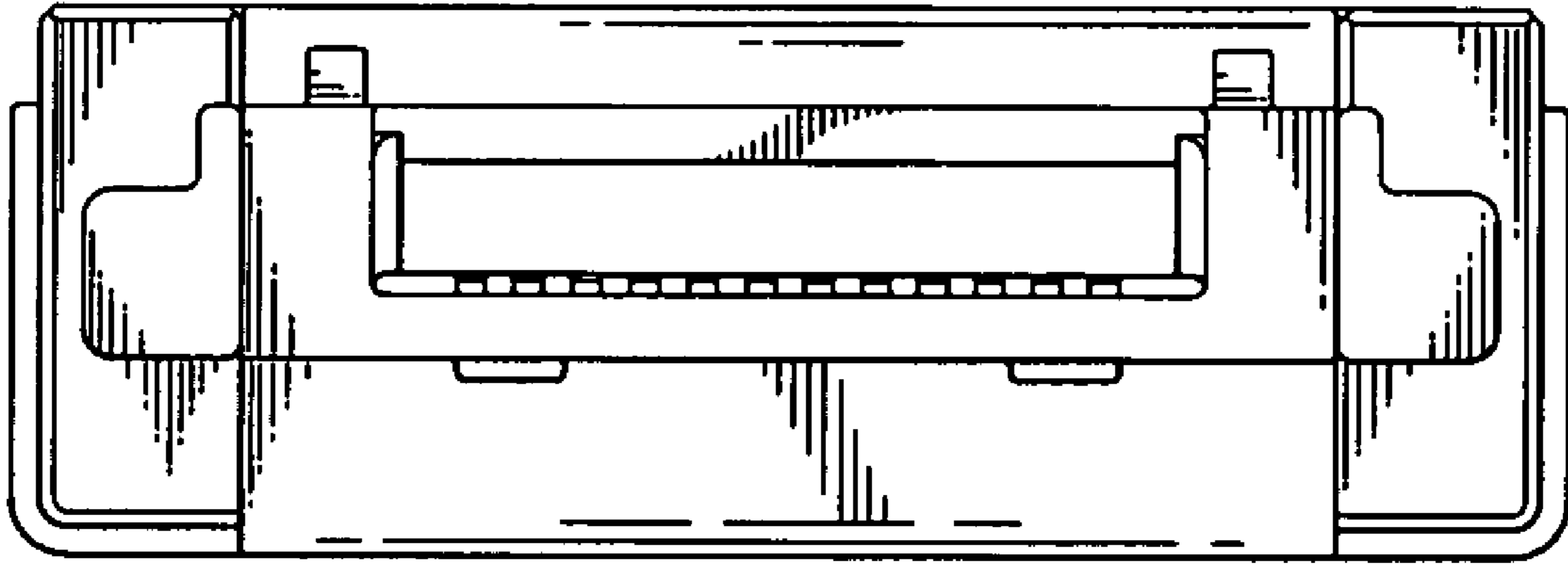


FIG. 2

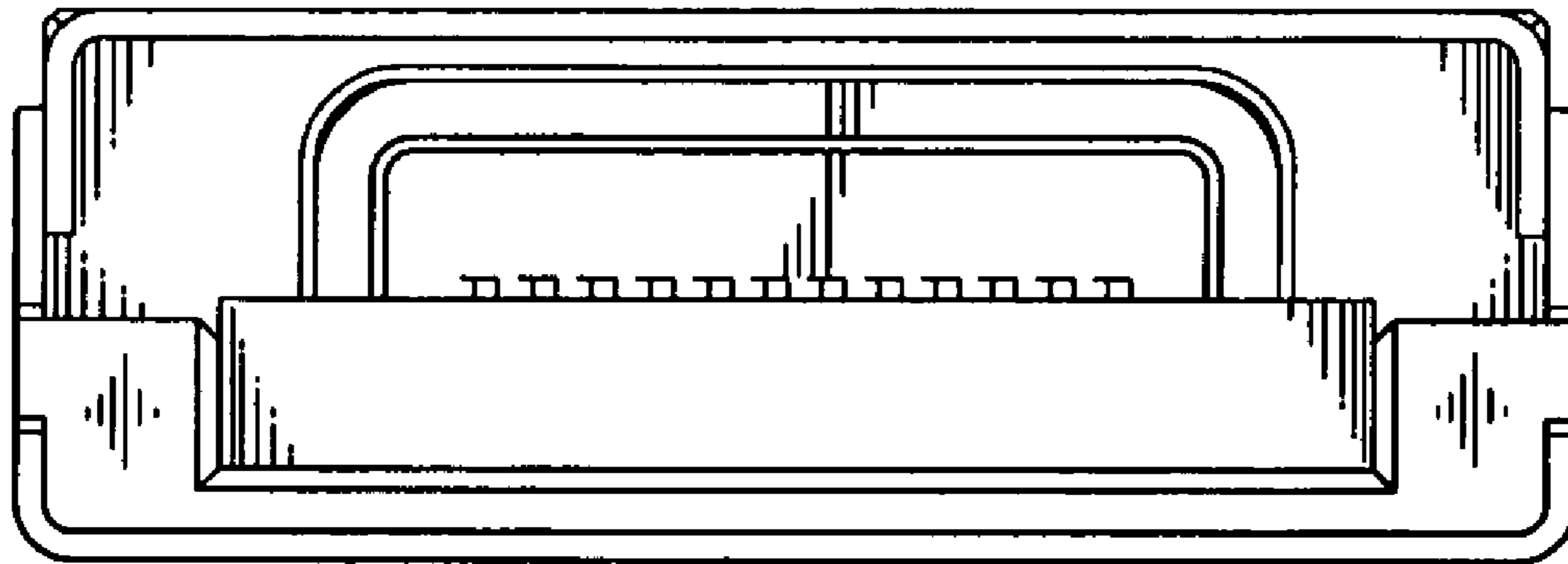


FIG. 3

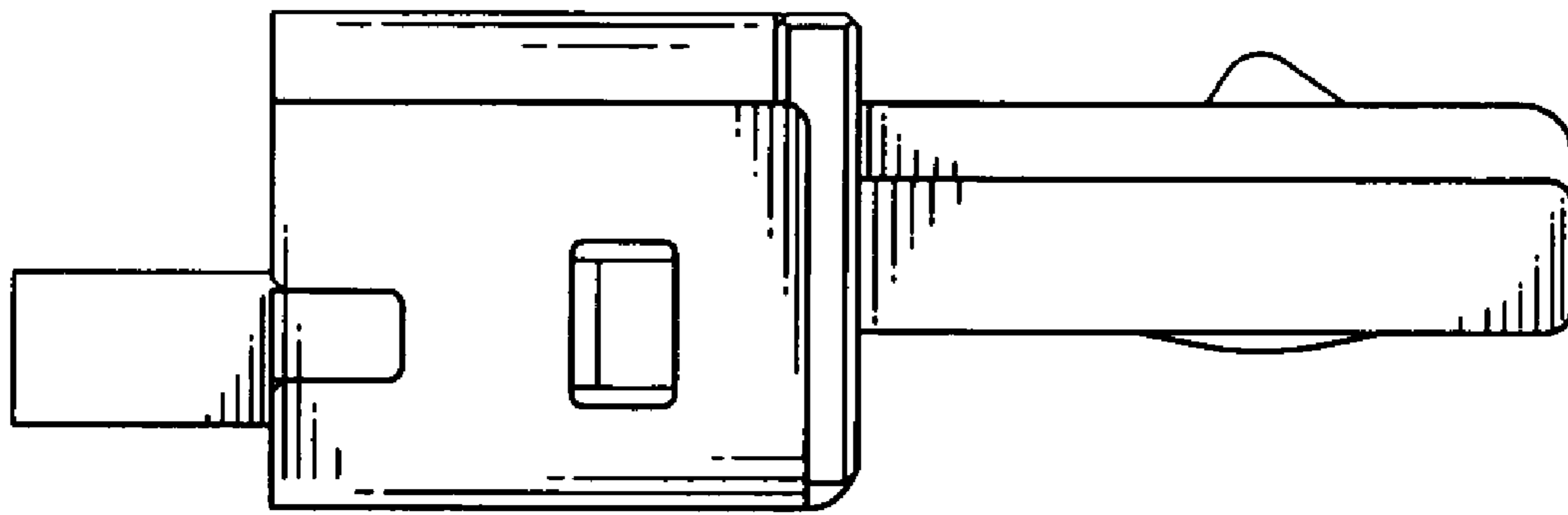


FIG. 4

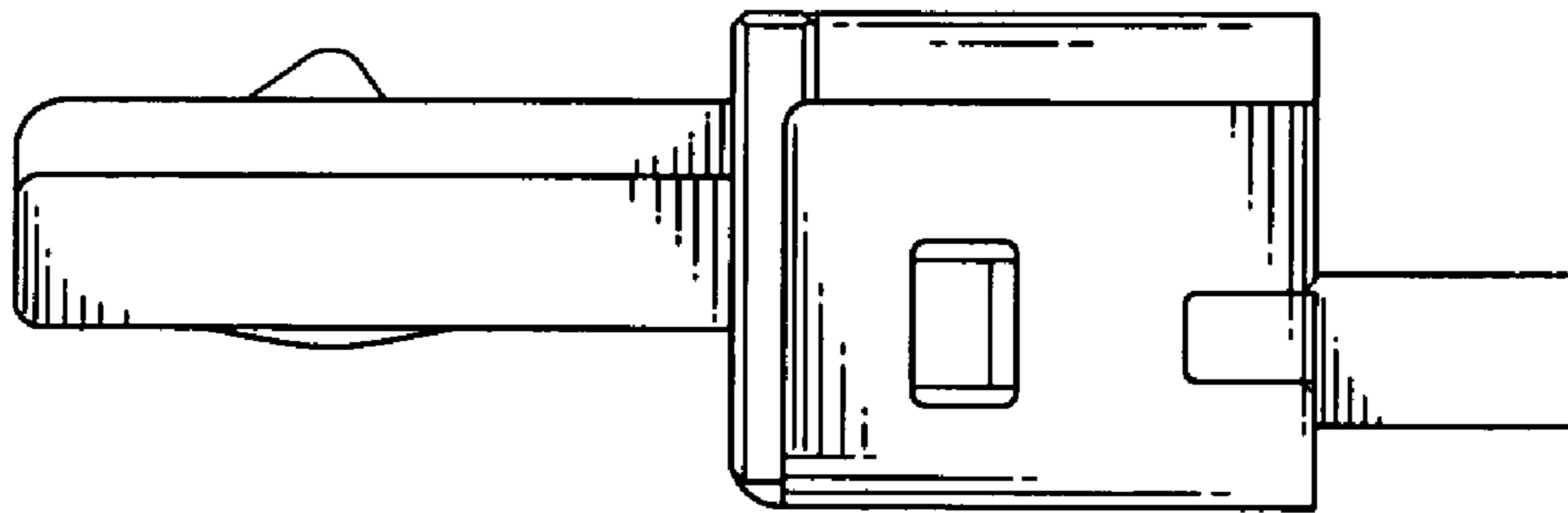


FIG. 5

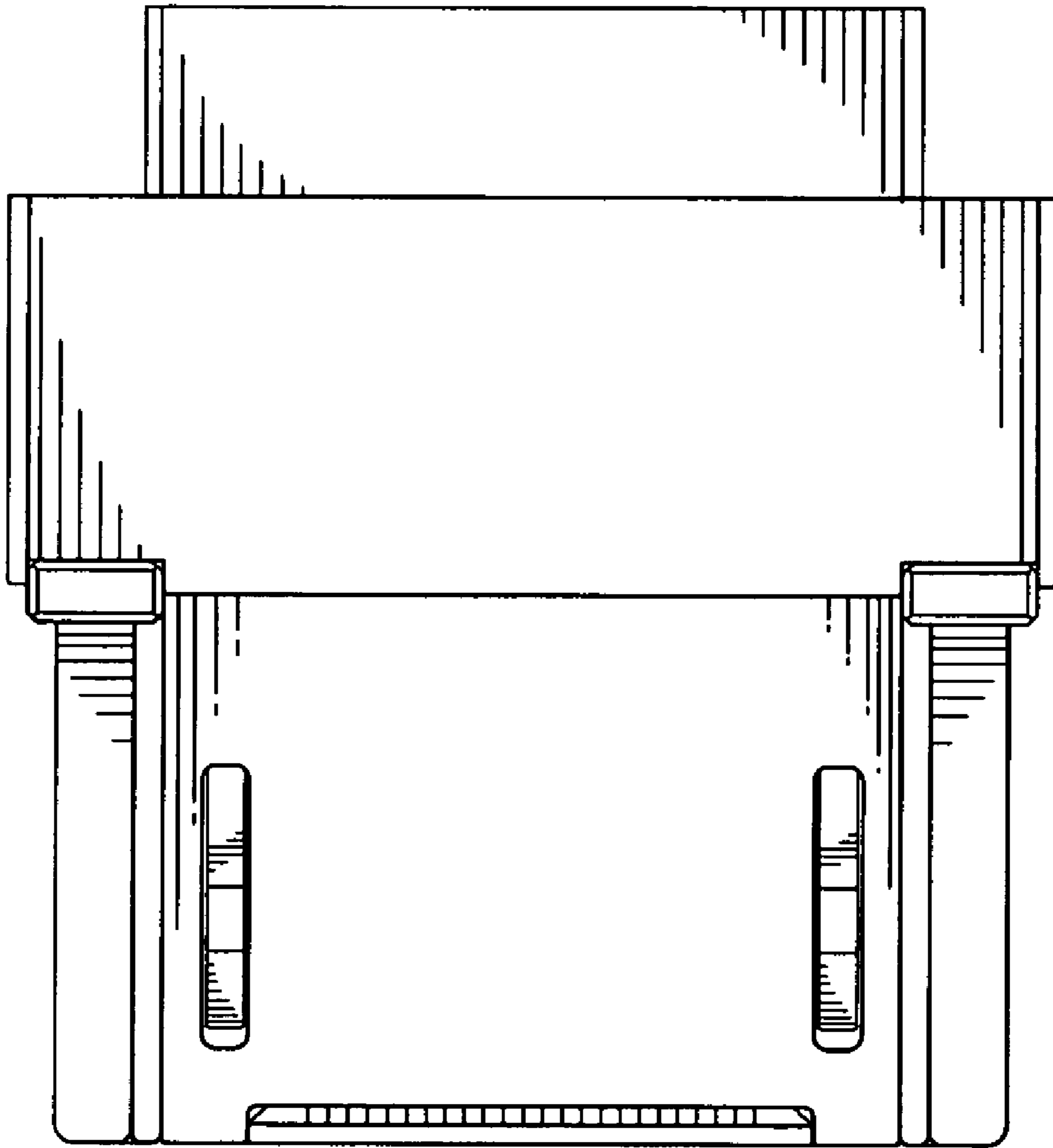


FIG. 6

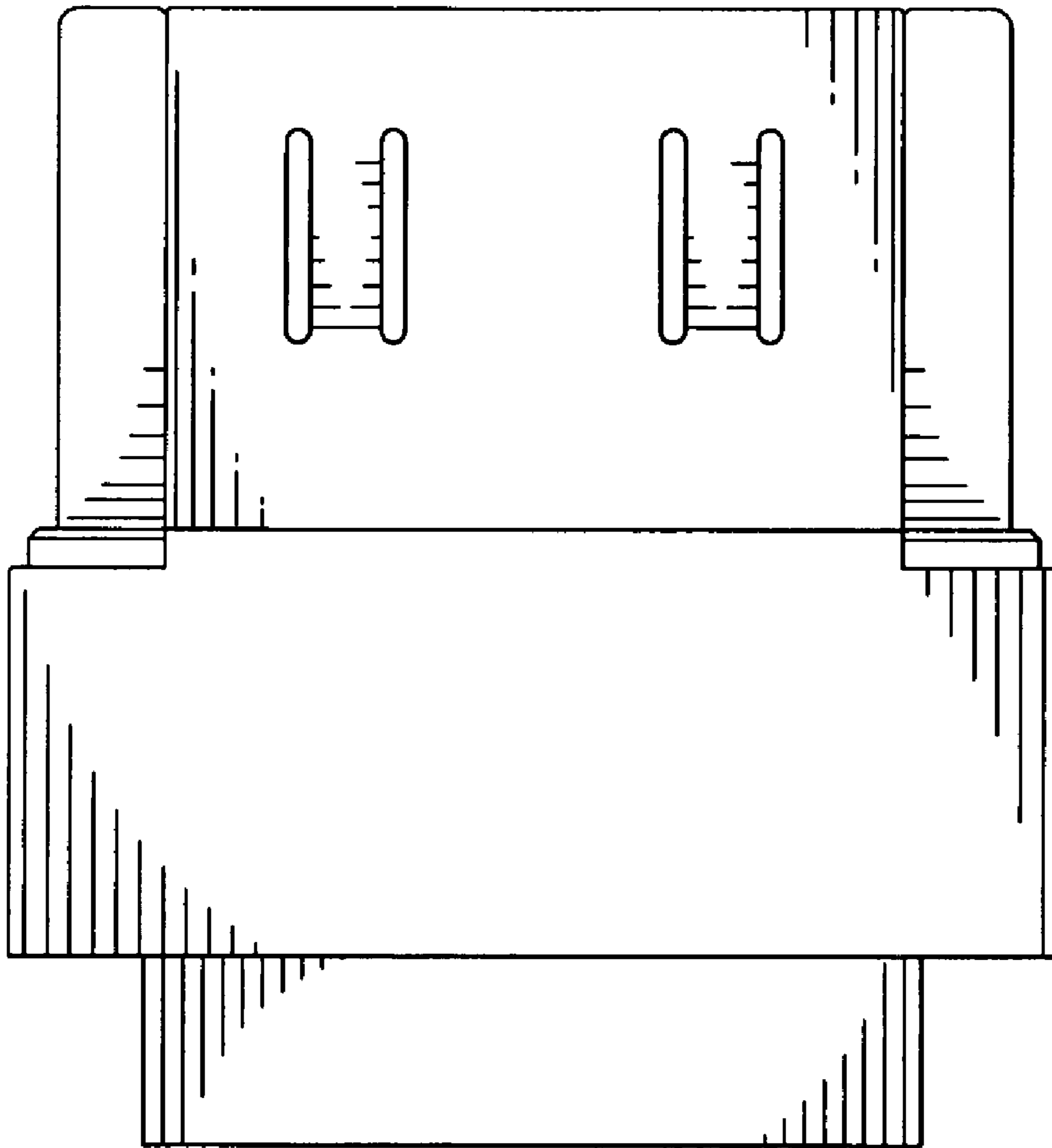


FIG. 7

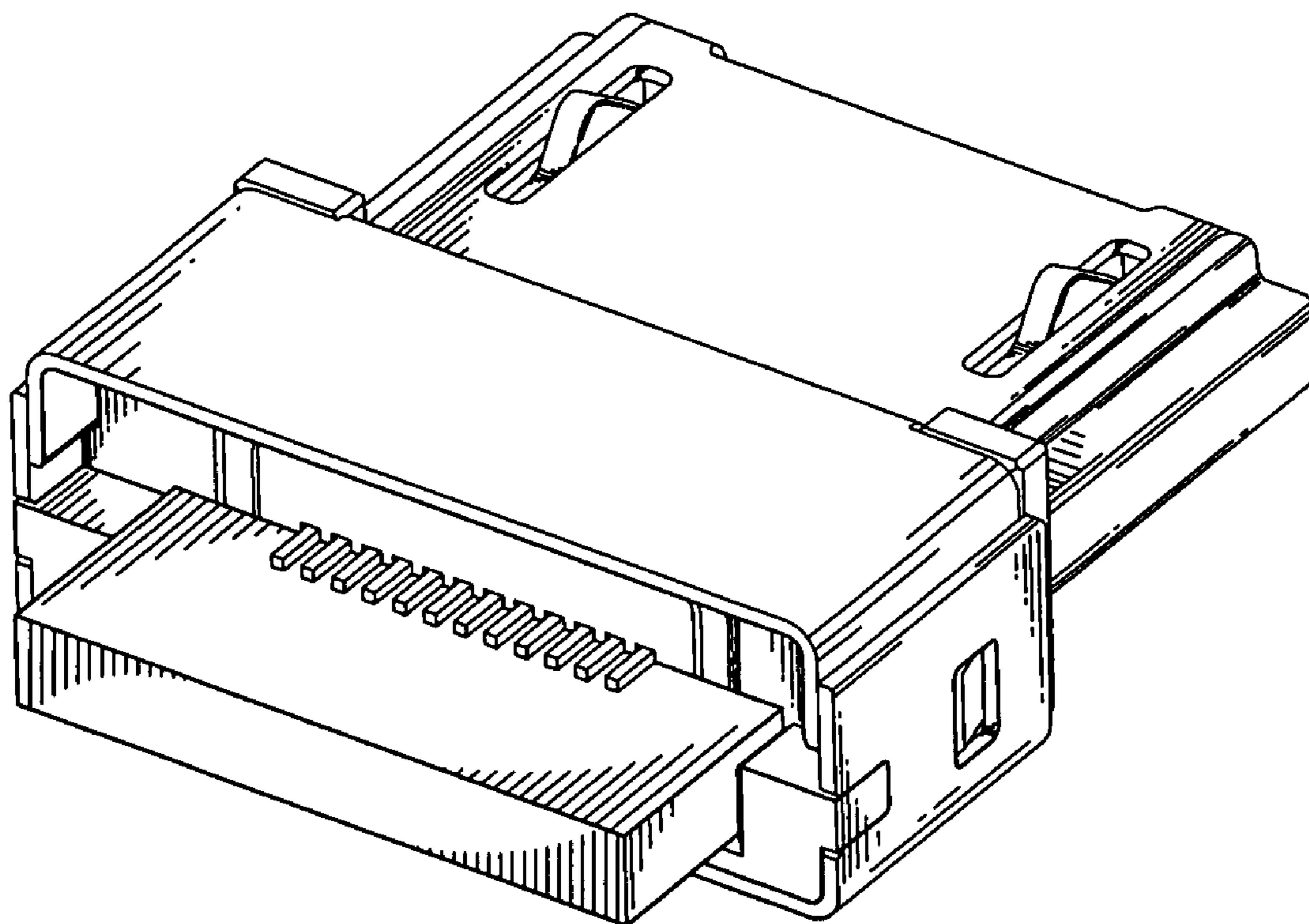


FIG. 8

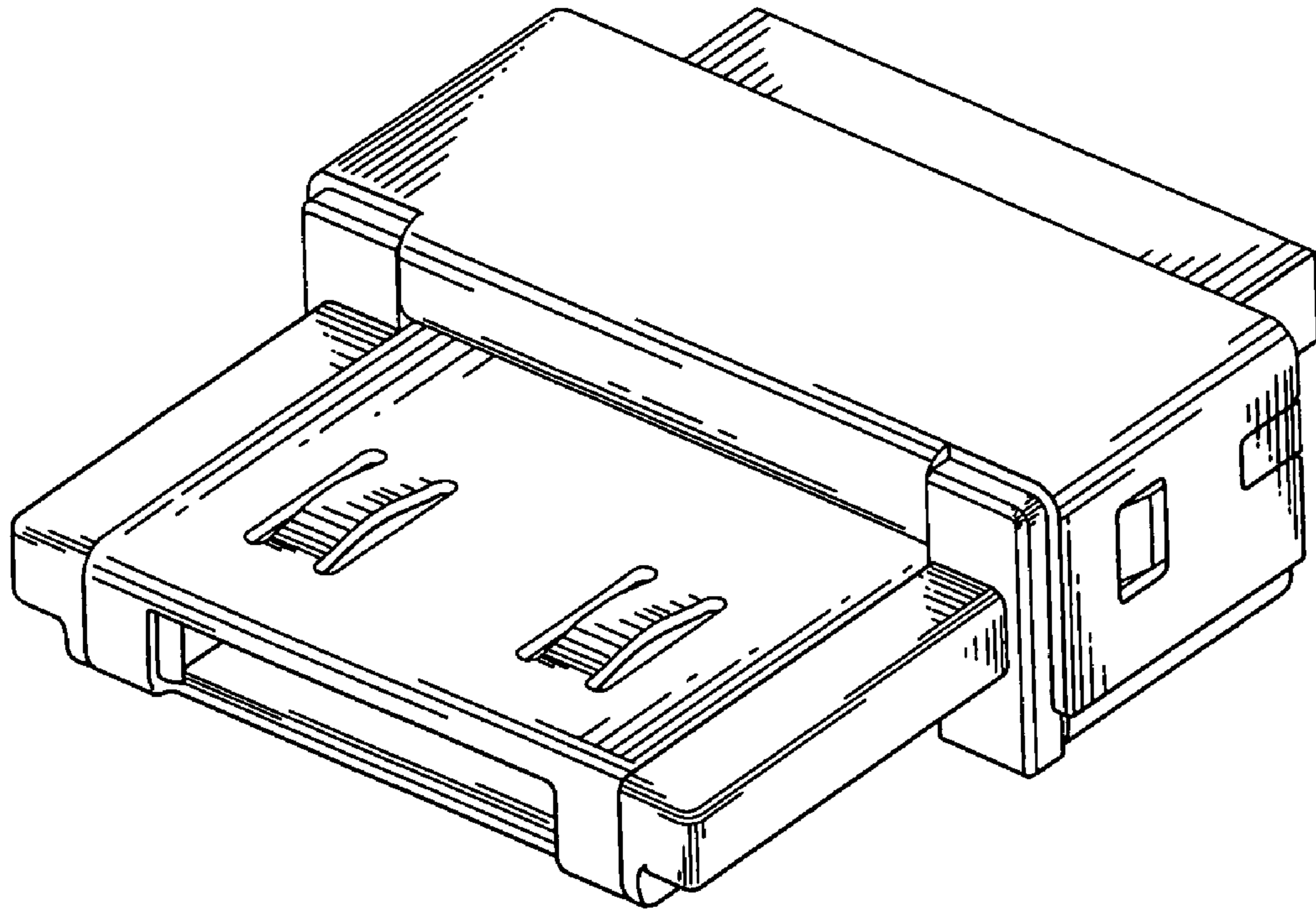


FIG. 9