



US00D583761S

(12) **United States Design Patent**
Schenck

(10) **Patent No.:** **US D583,761 S**

(45) **Date of Patent:** **** Dec. 30, 2008**

(54) **ELECTRIC LIGHT ADAPTER**

(75) Inventor: **Grady Schenck**, Walden, NY (US)

(73) Assignee: **American Tack & Hardware Co., Inc.**,
Saddle River, NJ (US)

(**) Term: **14 Years**

(21) Appl. No.: **29/285,907**

(22) Filed: **Apr. 16, 2007**

(51) **LOC (8) Cl.** **13-03**

(52) **U.S. Cl.** **D13/134; D13/135**

(58) **Field of Classification Search** D13/133-136,
D13/184, 199; D26/24, 60, 106, 113; 313/318.01,
313/318.12; 362/103, 105, 581; 439/336,
439/602

See application file for complete search history.

(56) **References Cited**

U.S. PATENT DOCUMENTS

D309,888 S *	8/1990	Cheng	D13/110
D349,775 S *	8/1994	Shalvi	D26/3
D354,730 S *	1/1995	Collins	D13/125
D364,142 S *	11/1995	Metcalfe et al.	D13/134
D369,348 S *	4/1996	Hu	D13/165
D398,902 S *	9/1998	Spadafore	D13/135
D418,813 S *	1/2000	Smith	D13/134
D443,594 S *	6/2001	Wilkins	D13/156

D517,480 S * 3/2006 Luo D13/134
2008/0001551 A1* 1/2008 Abbondanzio et al. 315/291

* cited by examiner

Primary Examiner—Daniel D Bui

Assistant Examiner—Thomas J Johannes

(74) *Attorney, Agent, or Firm*—Kathleen A. Costigan;
Hedman & Costigan, P.C.

(57) **CLAIM**

The ornamental design for a electric light adapter, as shown and described.

DESCRIPTION

FIG. 1 is a top perspective view of the electric light adapter design according to the invention;

FIG. 2 is a front view of the design;

FIG. 3 is a back view of the design;

FIG. 4 is a right side view of the design;

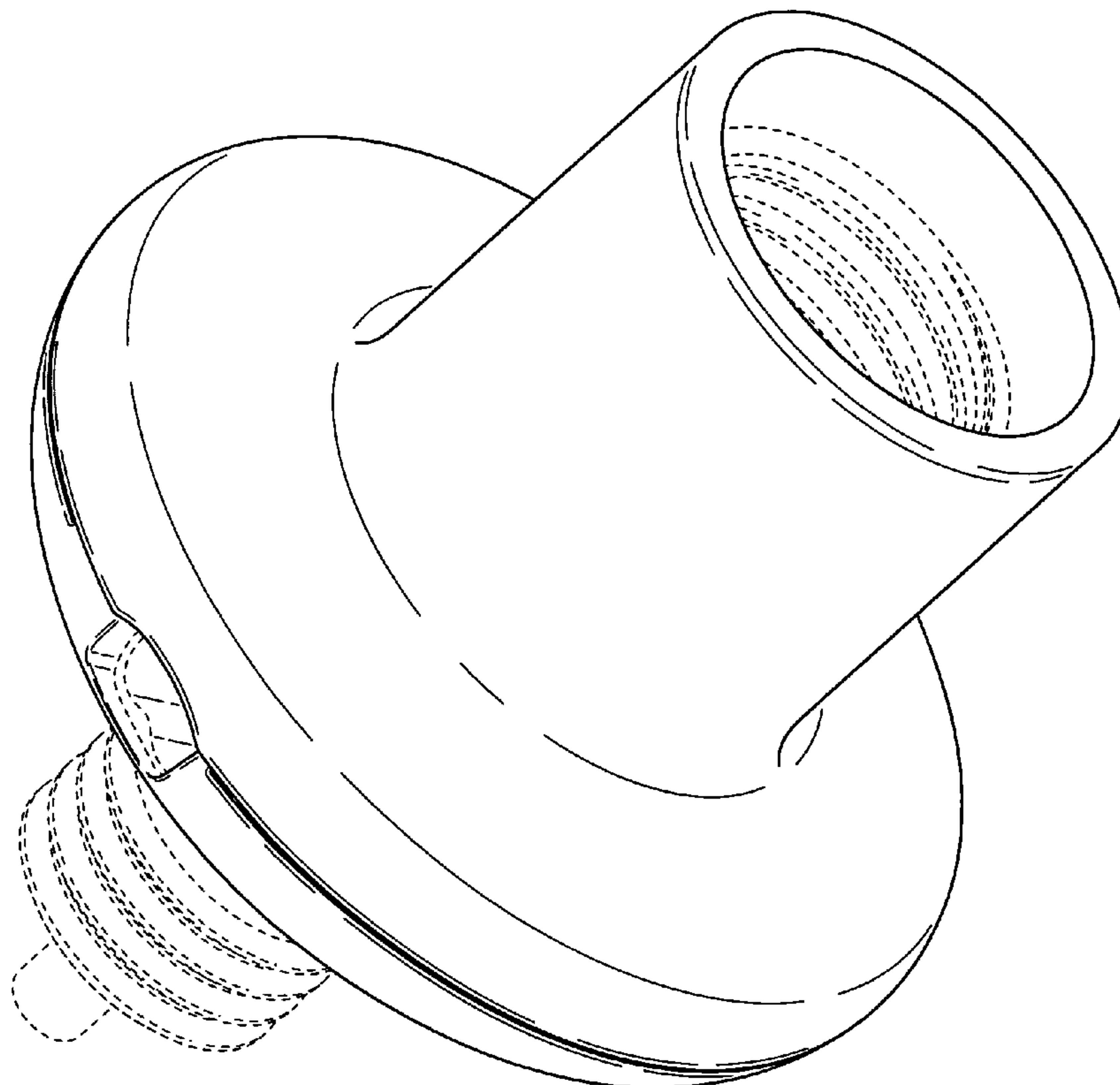
FIG. 5 is a left side view of the design;

FIG. 6 is a top view of the design; and,

FIG. 7 is a bottom view of the design.

The broken line portion of the figure drawings is included to show unclaimed subject matter only and forms no part of the claimed design.

1 Claim, 4 Drawing Sheets



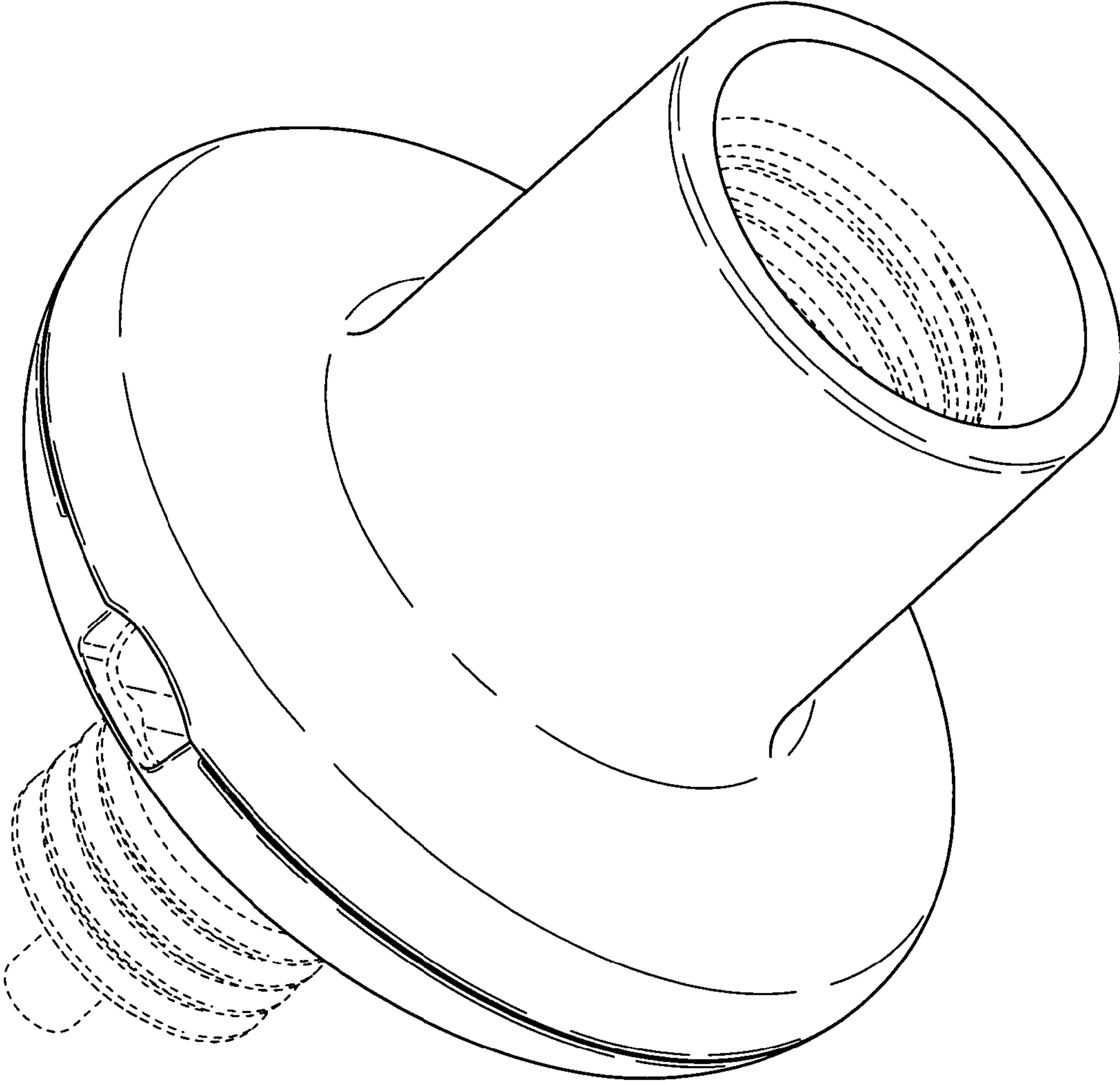


FIG. 1

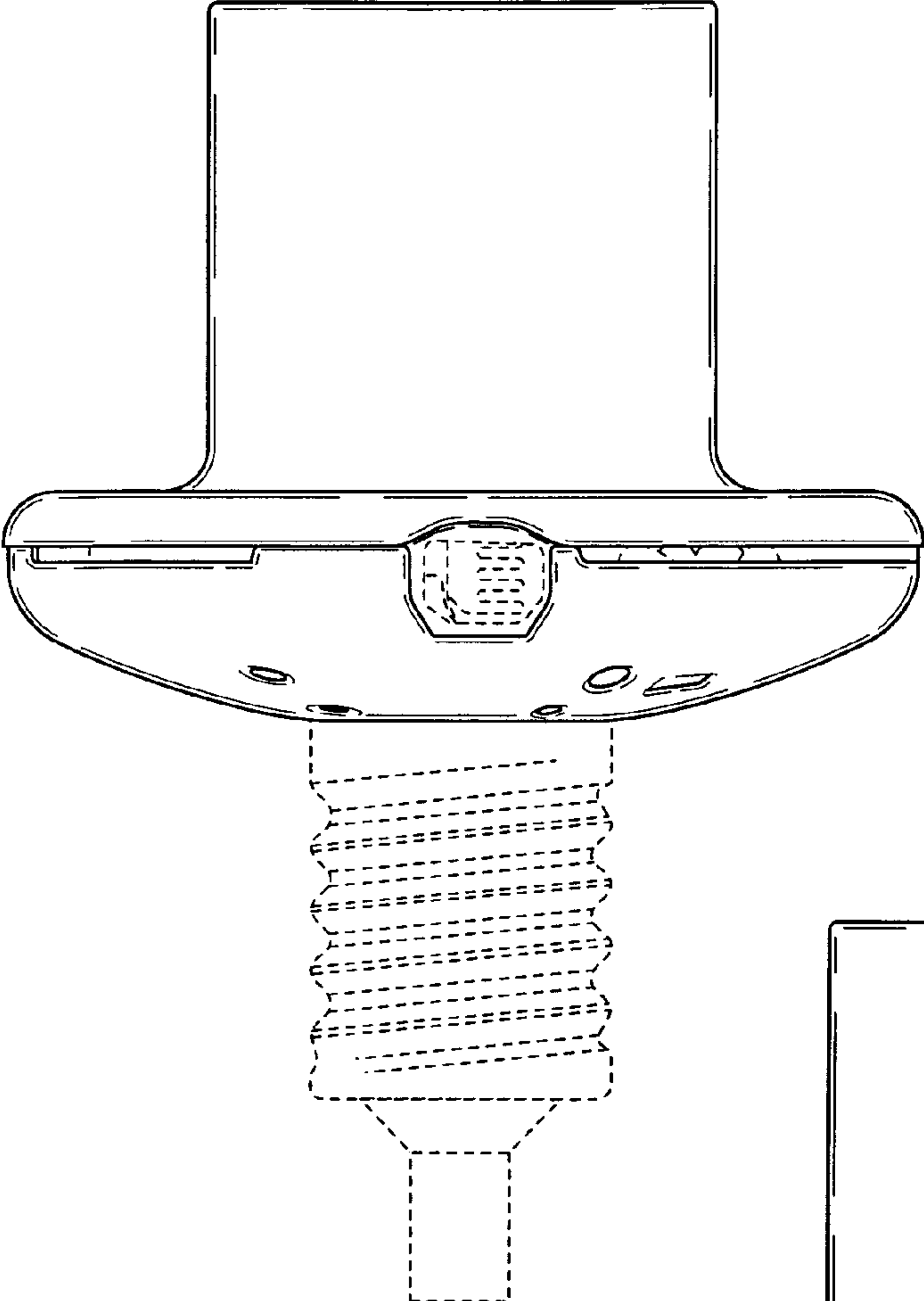


FIG. 2

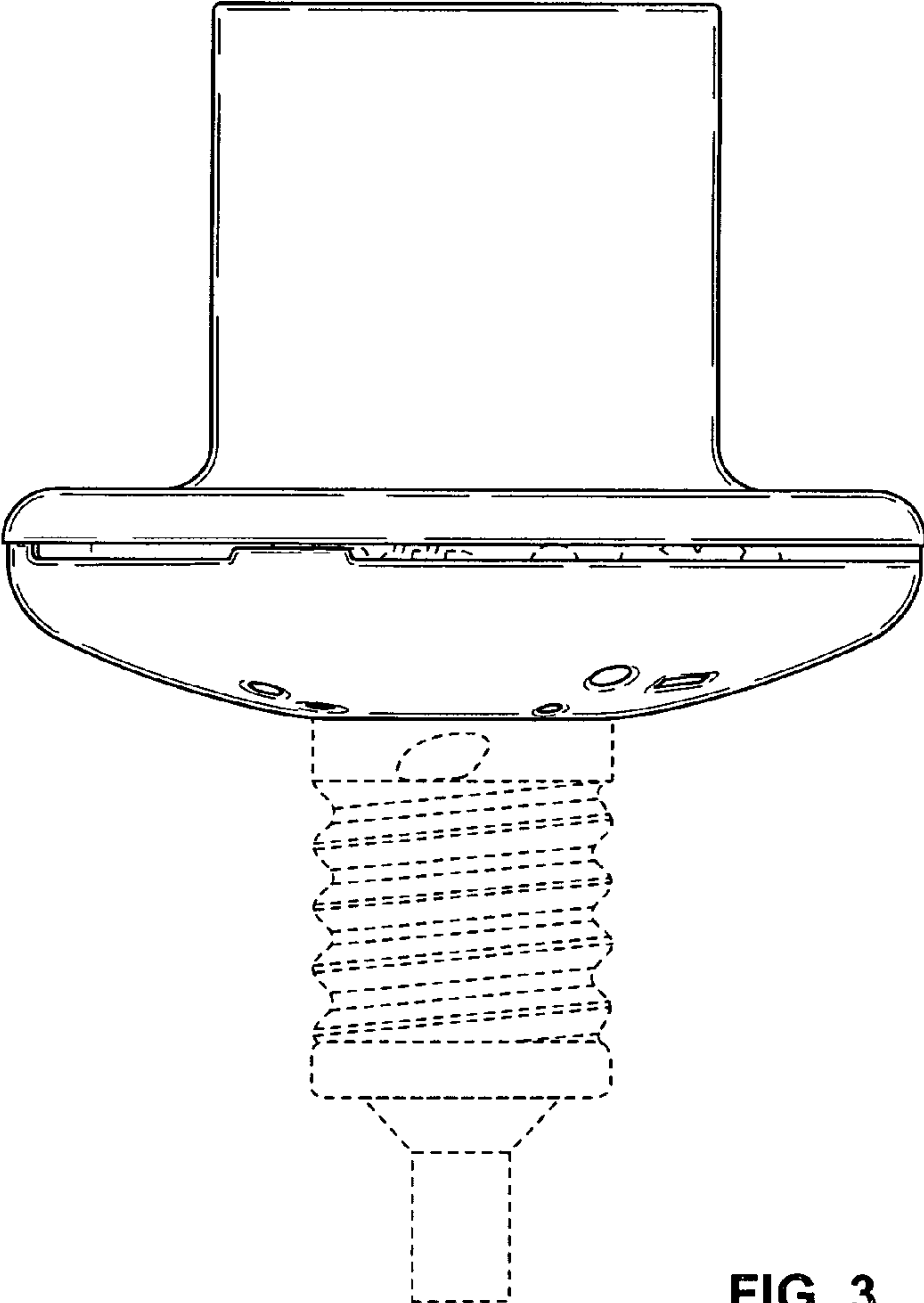


FIG. 3

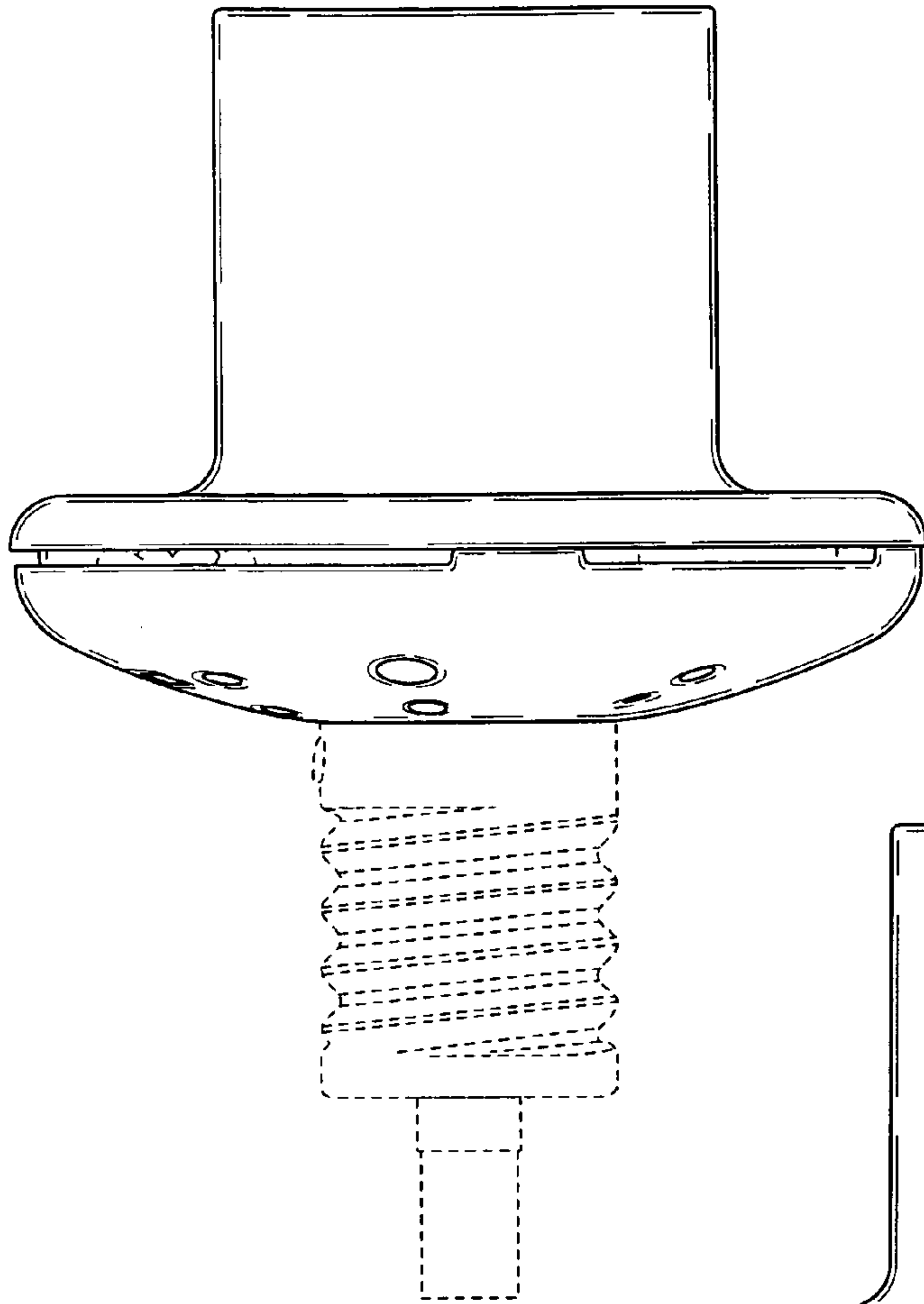


FIG. 4

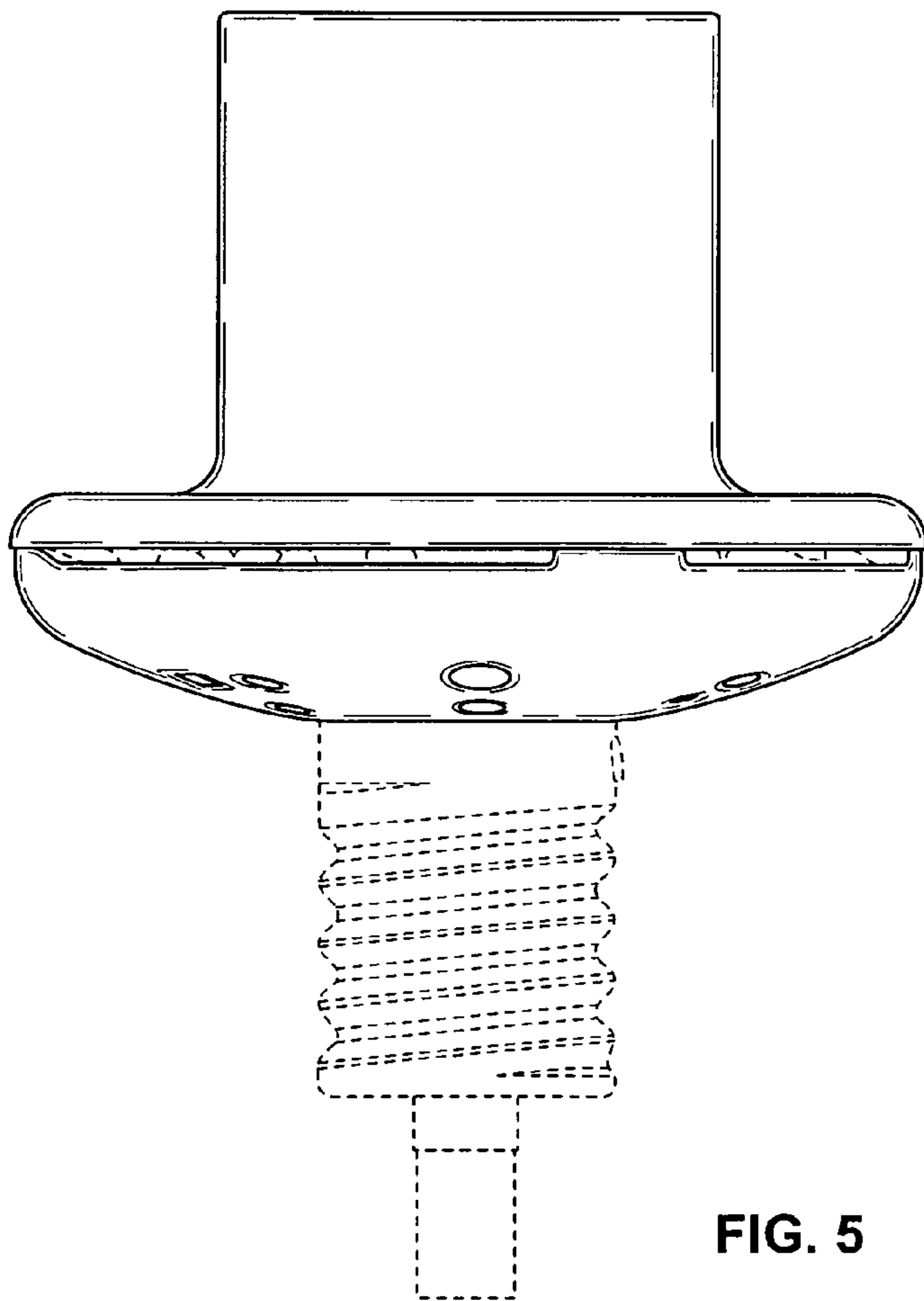


FIG. 5

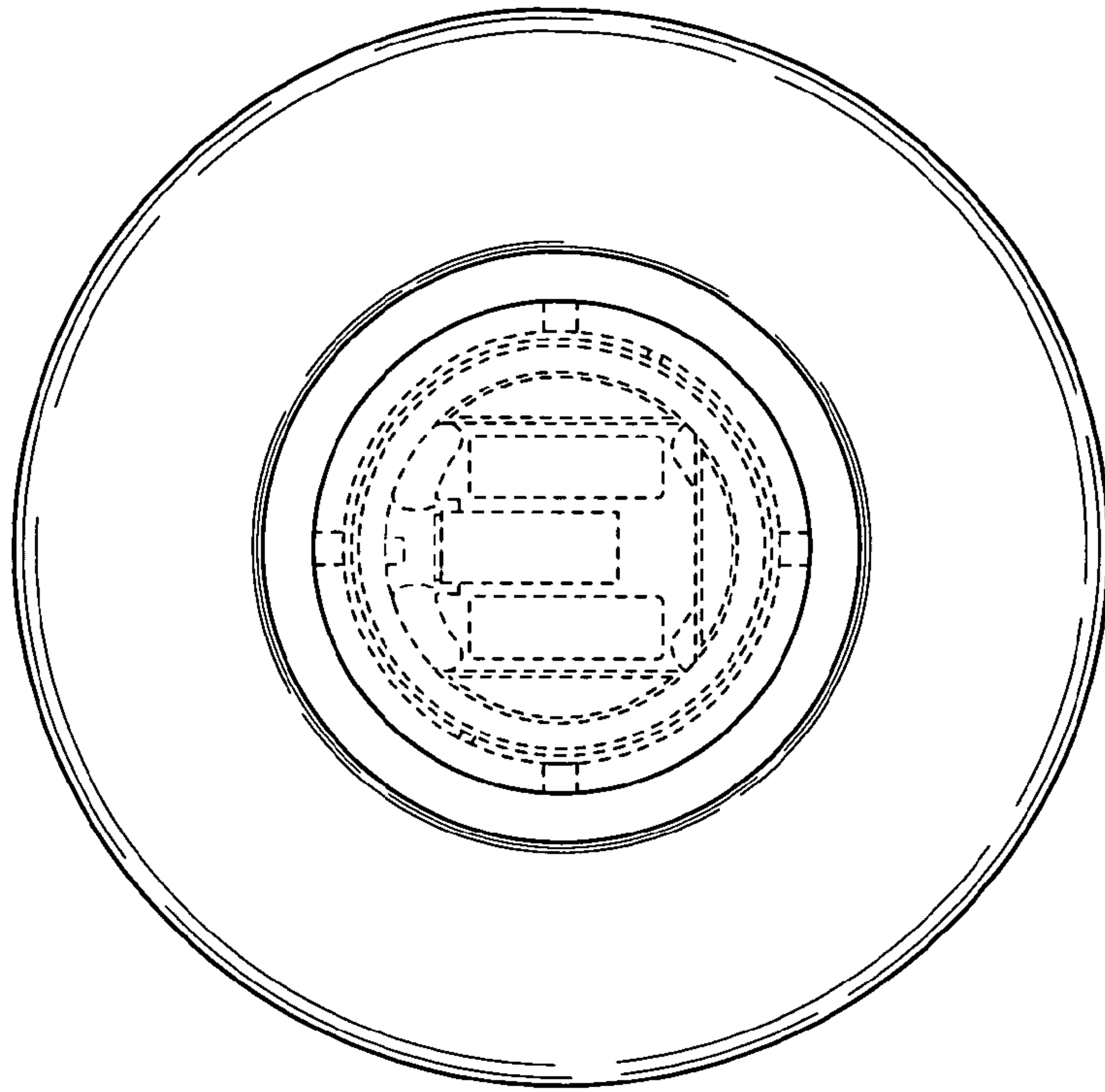


FIG. 6

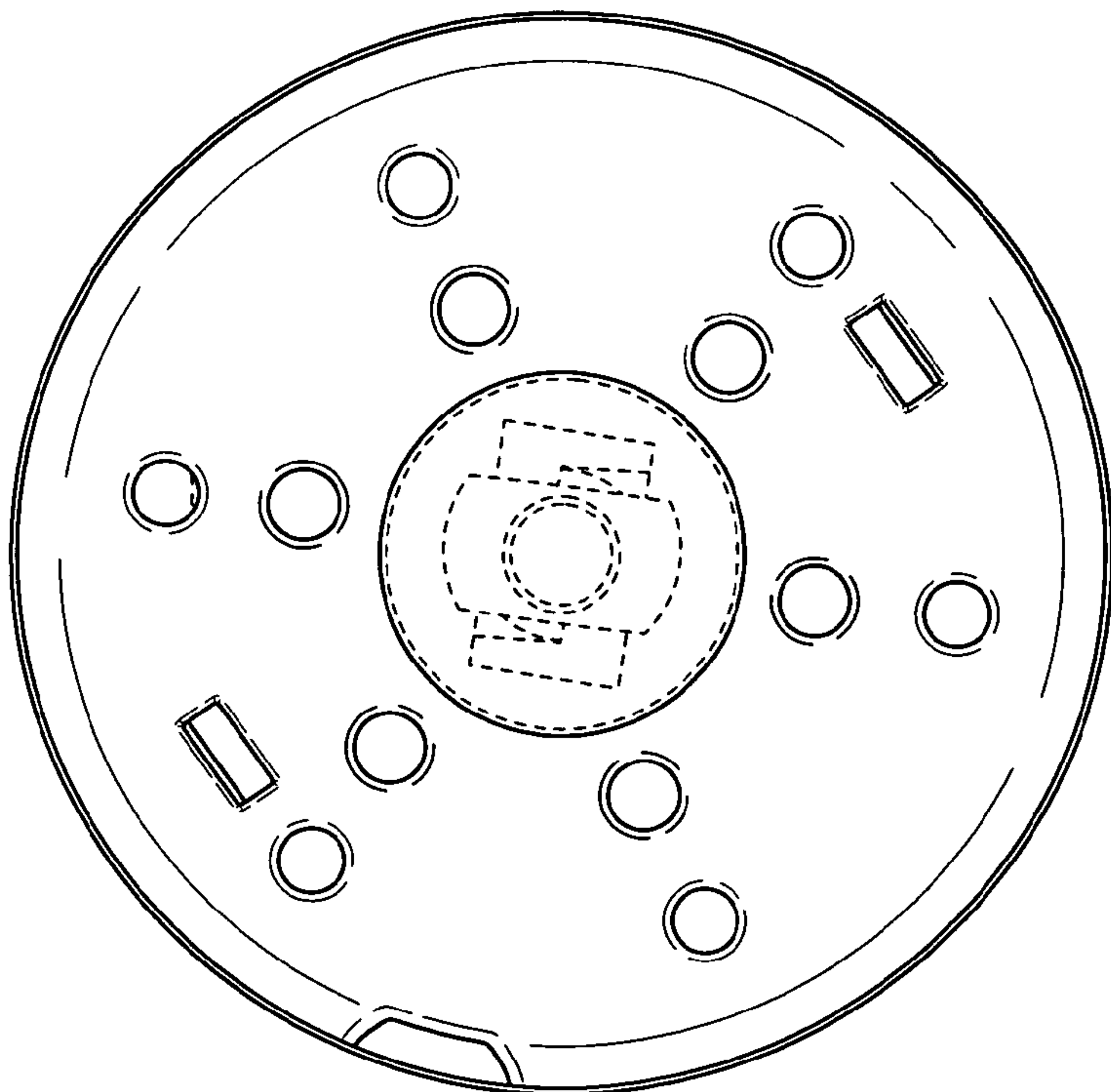


FIG. 7