



US00D583760S

(12) **United States Design Patent**
Ohmori

(10) **Patent No.:** **US D583,760 S**

(45) **Date of Patent:** **** Dec. 30, 2008**

(54) **SOCKET FOR COLD CATHODE
FLUORESCENT LAMP**

(75) Inventor: **Yasuhiro Ohmori, Yao (JP)**

(73) Assignee: **Hosiden Corporation, Yao-shi (JP)**

(**) Term: **14 Years**

(21) Appl. No.: **29/273,482**

(22) Filed: **Mar. 7, 2007**

(30) **Foreign Application Priority Data**

Sep. 22, 2006 (JP) 2006-025381

(51) **LOC (8) Cl.** **13-03**

(52) **U.S. Cl.** **D13/134; D13/136**

(58) **Field of Classification Search** D13/133–136,
D13/149; D26/138, 140; 362/217, 147,
362/223, 260; 439/241, 242, 243, 244, 239,
439/226, 240

See application file for complete search history.

(56) **References Cited**

U.S. PATENT DOCUMENTS

4,198,109	A *	4/1980	Ustin	439/239
5,469,348	A *	11/1995	Wong	362/217
D388,395	S *	12/1997	Henrici	D13/134
D399,820	S *	10/1998	Henrici	D13/134
5,816,837	A *	10/1998	Henrici et al.	439/231
D417,653	S *	12/1999	Henrici	D13/134
6,561,828	B2 *	5/2003	Henrici et al.	439/239
D491,890	S *	6/2004	Henrici et al.	D13/134
D493,425	S *	7/2004	Henrici et al.	D13/134
6,769,789	B1 *	8/2004	Won et al.	362/260
7,097,327	B1 *	8/2006	Barton	362/260
2003/0068913	A1 *	4/2003	Henrici et al.	439/239
2006/0067072	A1 *	3/2006	Zonta	362/217

* cited by examiner

Primary Examiner—Daniel D Bui

Assistant Examiner—Thomas J Johannes

(74) *Attorney, Agent, or Firm*—Kratz, Quintos & Hanson,
LLP

(57) **CLAIM**

The ornamental design for a socket for cold cathode fluorescent lamp, as shown and described.

DESCRIPTION

FIG. 1 is a front elevation view of a socket for cold cathode fluorescent lamp according showing my new design;

FIG. 2 is a back elevation thereof;

FIG. 3 is a top plan view thereof;

FIG. 4 is a bottom plan view thereof;

FIG. 5 is a right side elevation view thereof;

FIG. 6 is a left side elevation view thereof;

FIG. 7 is a top, front, and right side perspective view thereof;

FIG. 8 is a front elevation view thereof, with its operating member raised;

FIG. 9 is a left side elevation view thereof, with its operating member raised;

FIG. 10 is a top, front, and right side perspective view thereof, with its operating member raised;

FIG. 11 is a top, front, and right side perspective view thereof, showing a cold cathode fluorescent lamp connected to the socket;

FIG. 12 is a cross-sectional view thereof, taken along line 12—12 of FIG. 1;

FIG. 13 is a cross-sectional view thereof, taken along line 13—13 of FIG. 6;

FIG. 14 is a cross-sectional view thereof, taken along line 14—14 of FIG. 6; and,

FIG. 15 is a cross-sectional view thereof, taken along line 15—15 of FIG. 9.

The broken line portion of the figure drawings is included to show unclaimed subject matter only and forms no part of the claimed design; and, the special dot-dash broken line defines the bounds of the claimed design and forms no part of the claimed design.

1 Claim, 15 Drawing Sheets

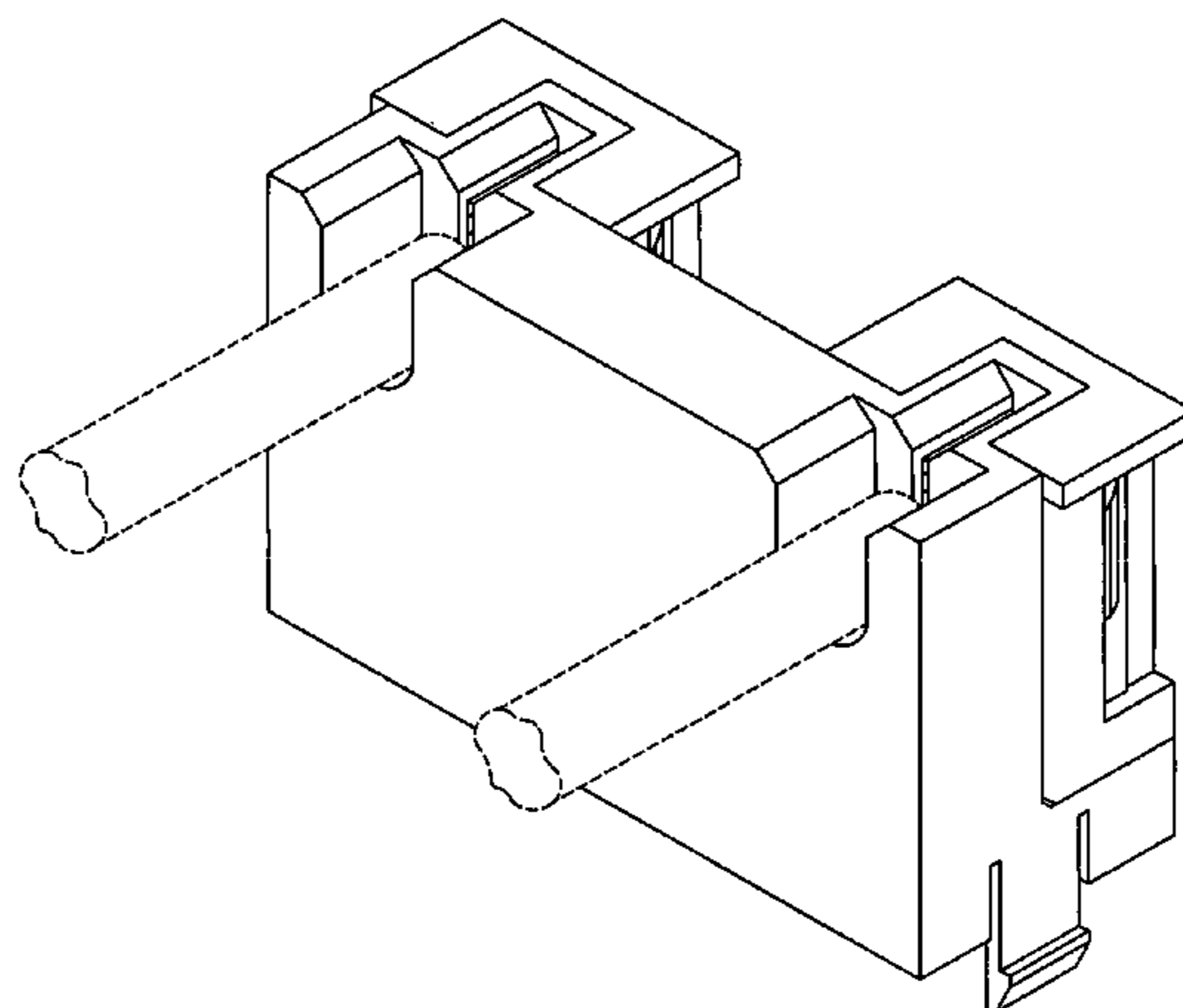


Fig.1

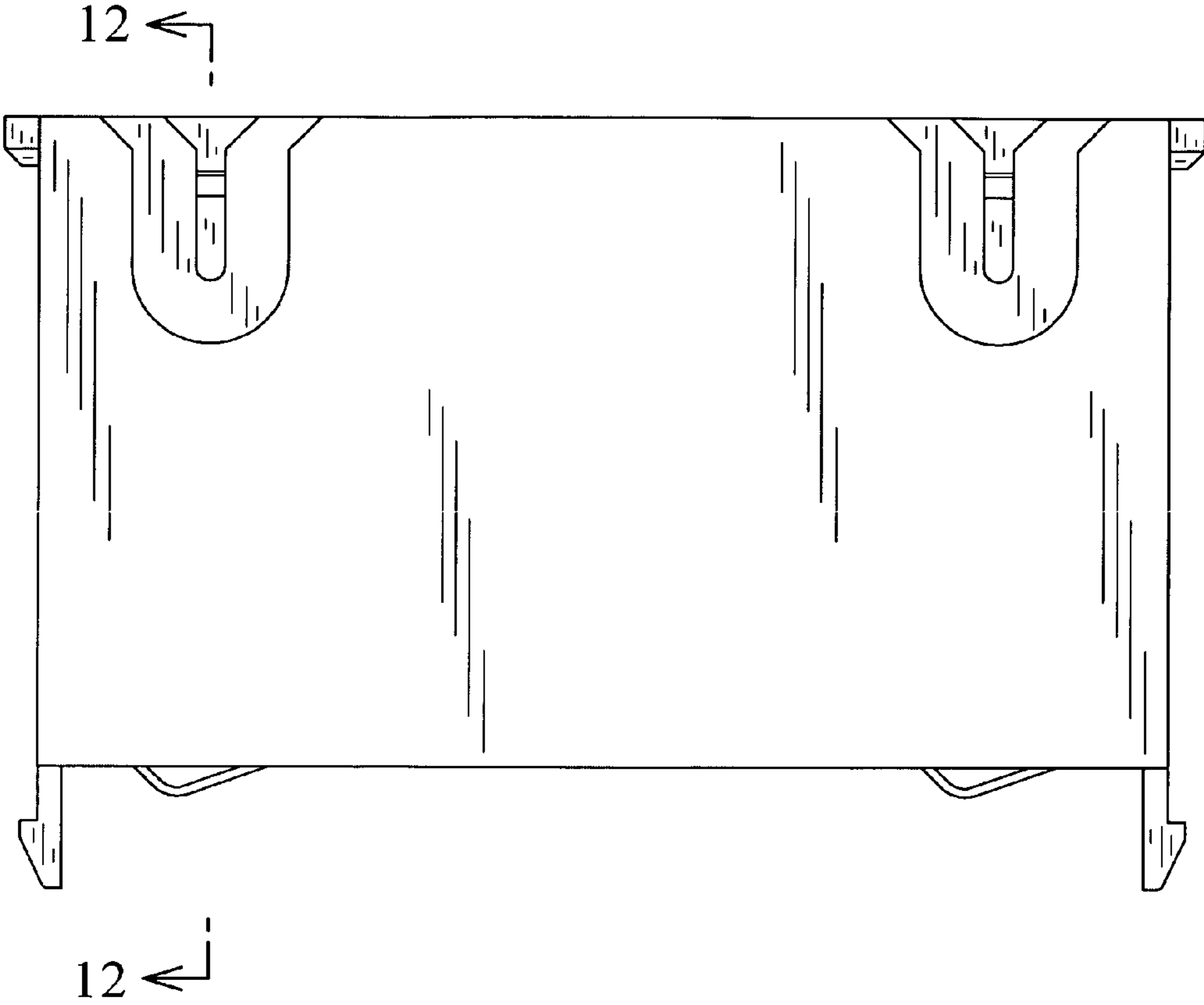


Fig.2

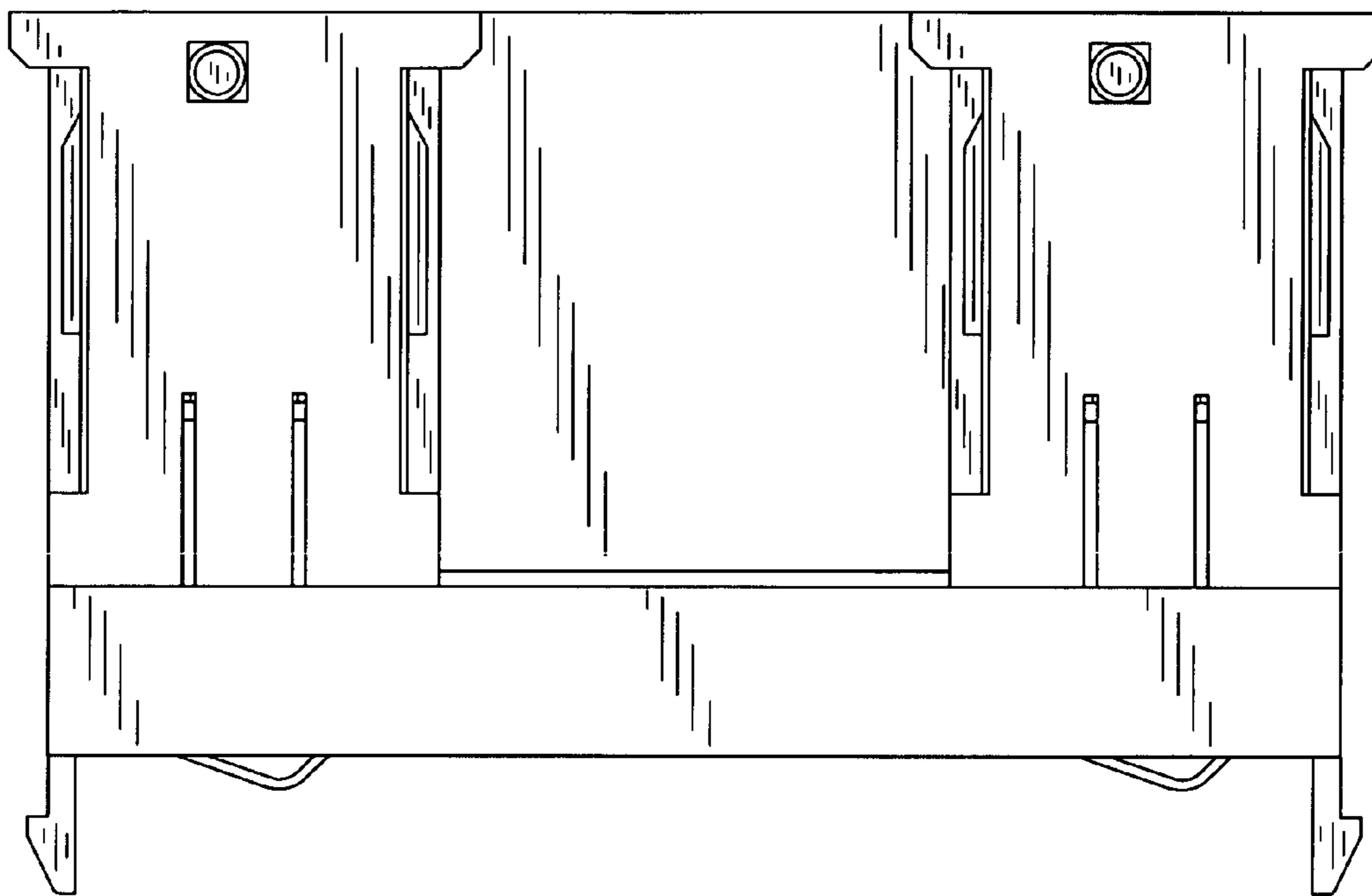


Fig.3

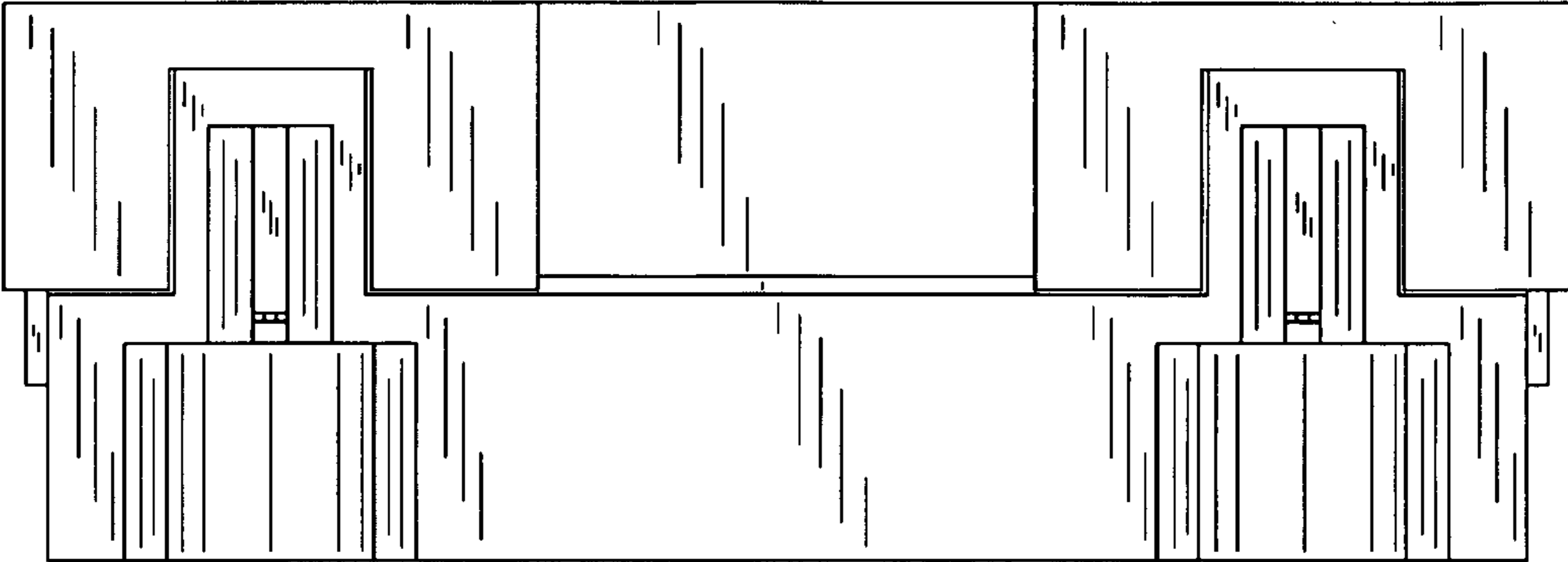


Fig.4

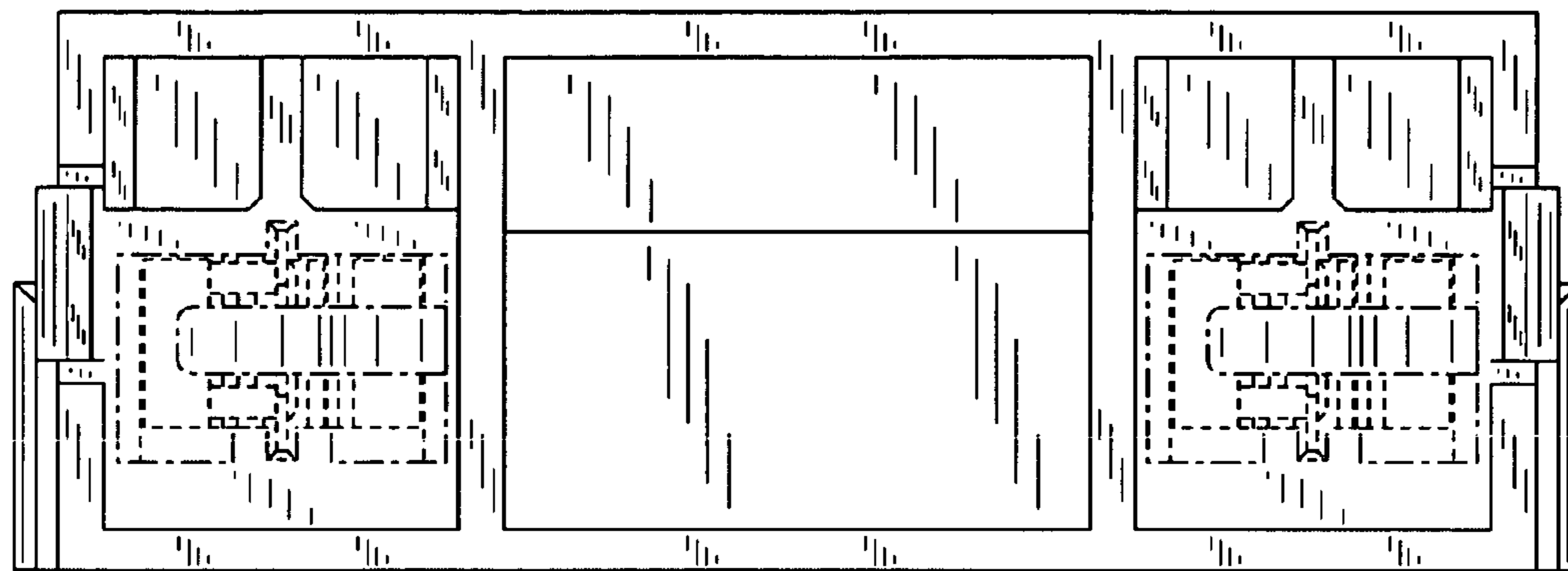


Fig.5

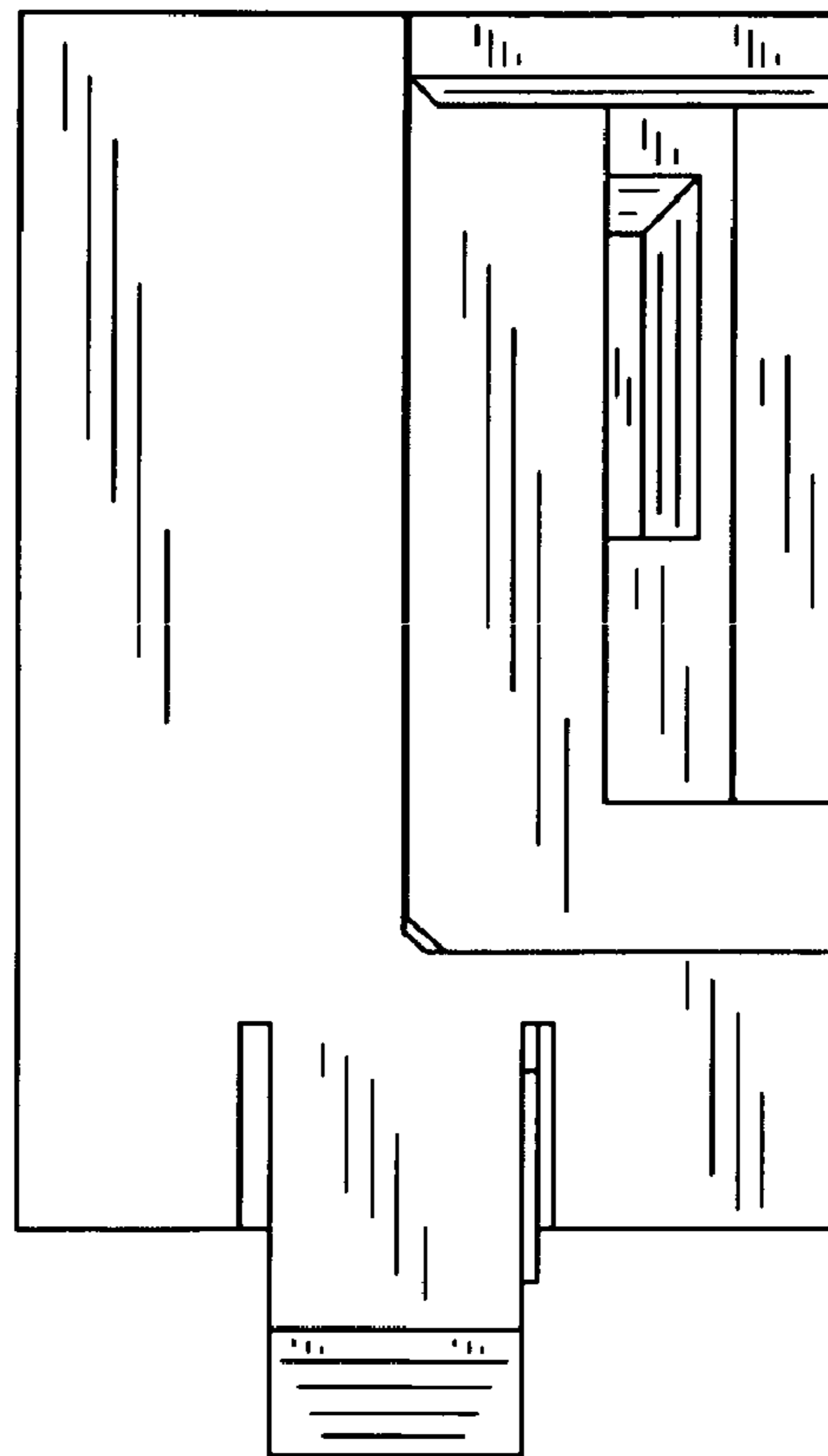


Fig.6

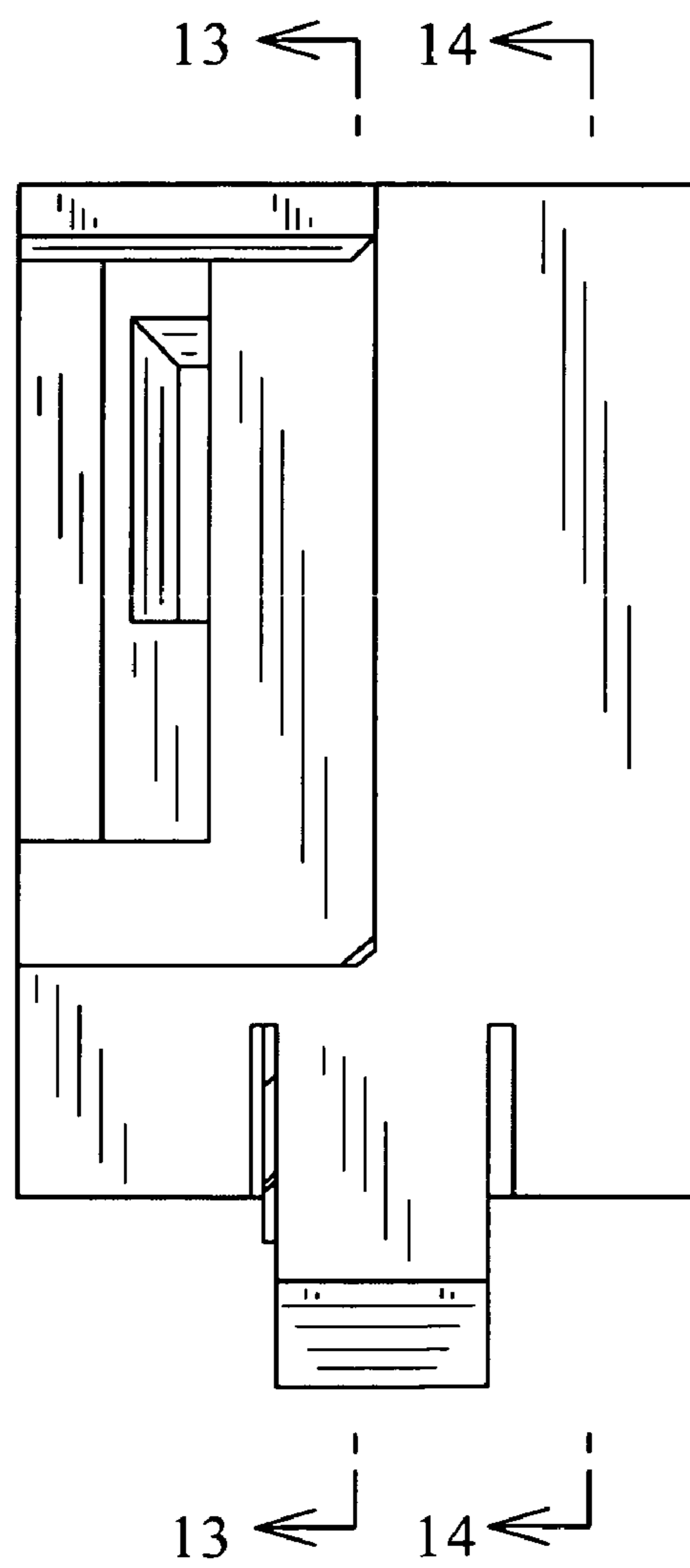


Fig.7

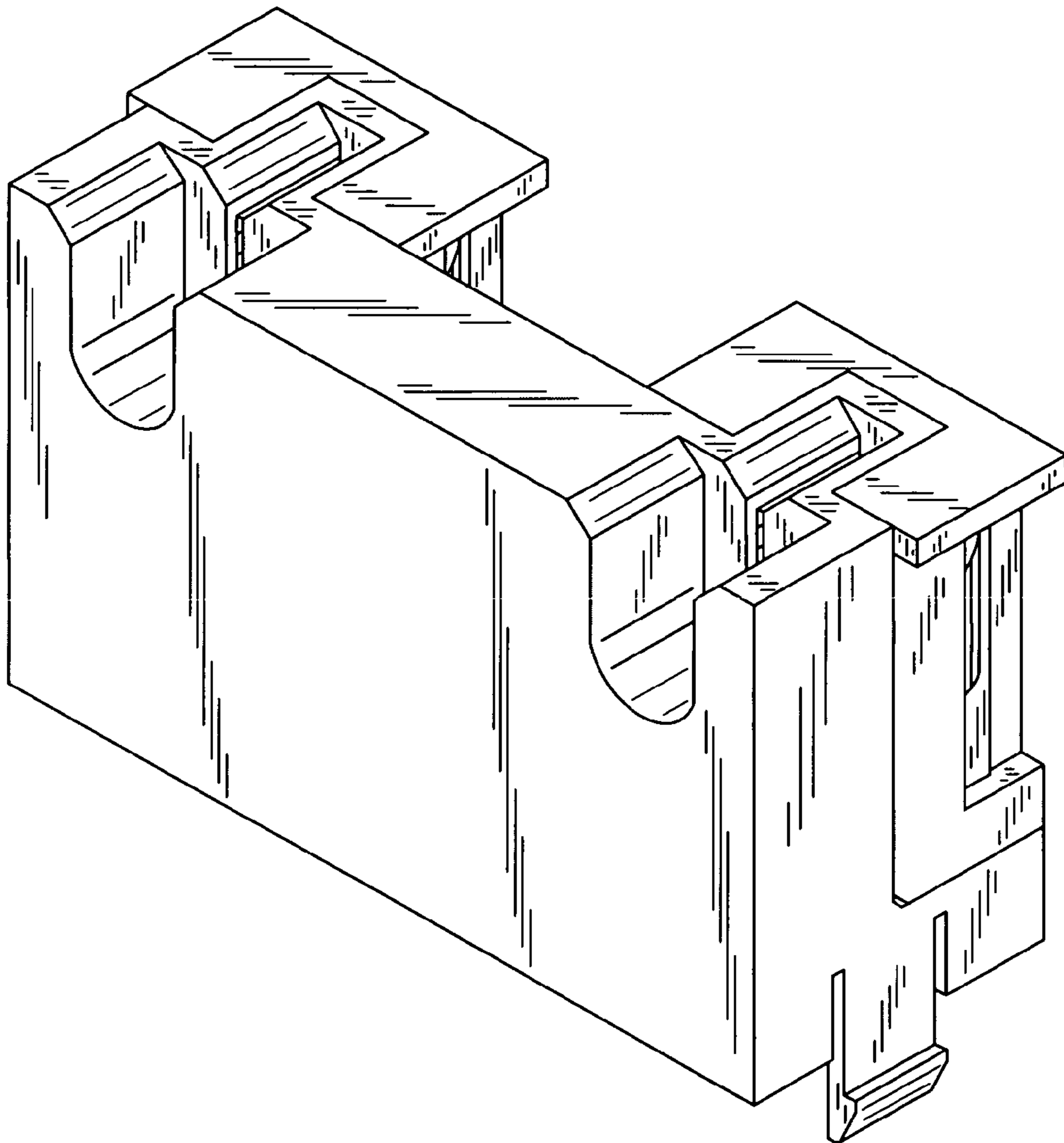


Fig.8

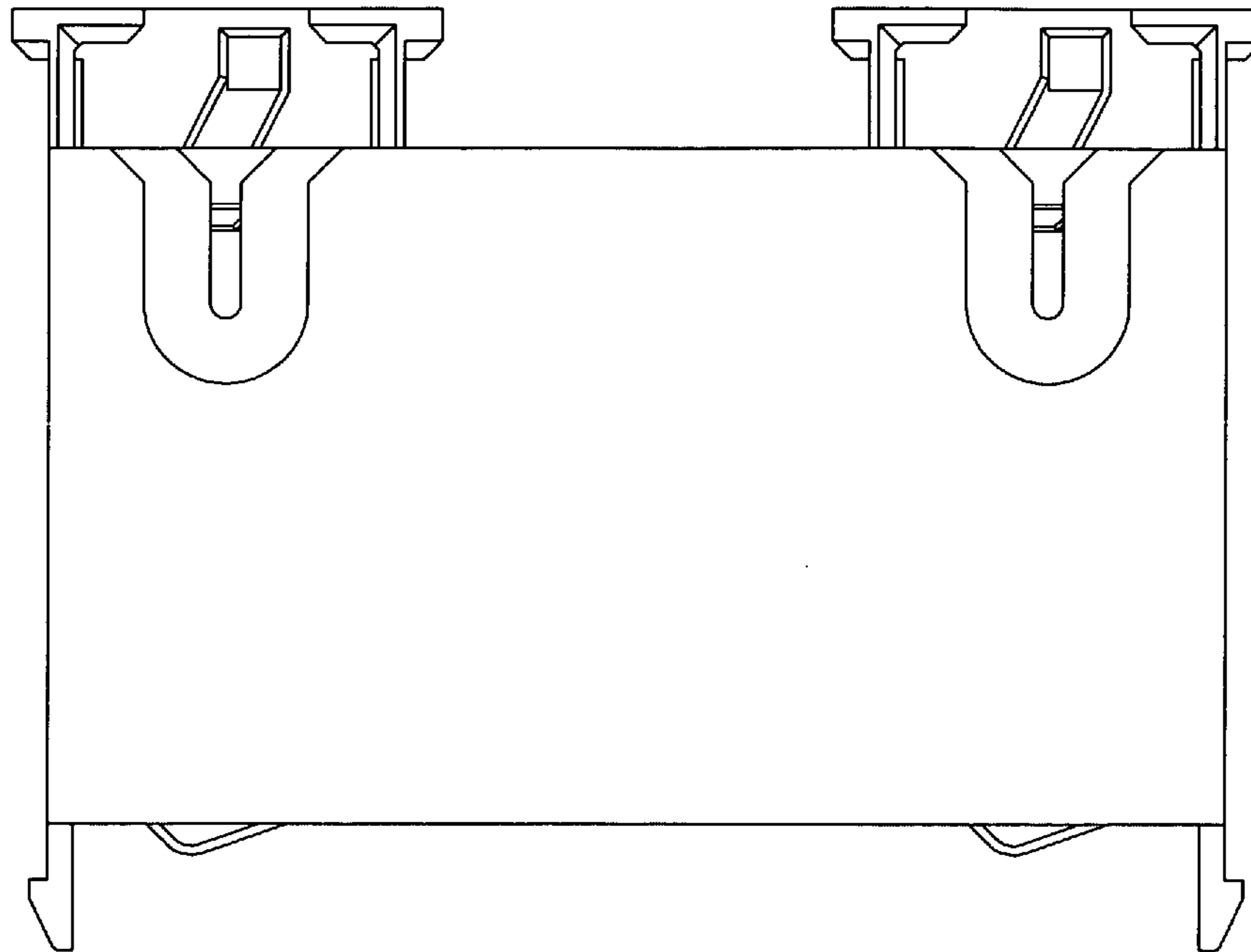


Fig.9

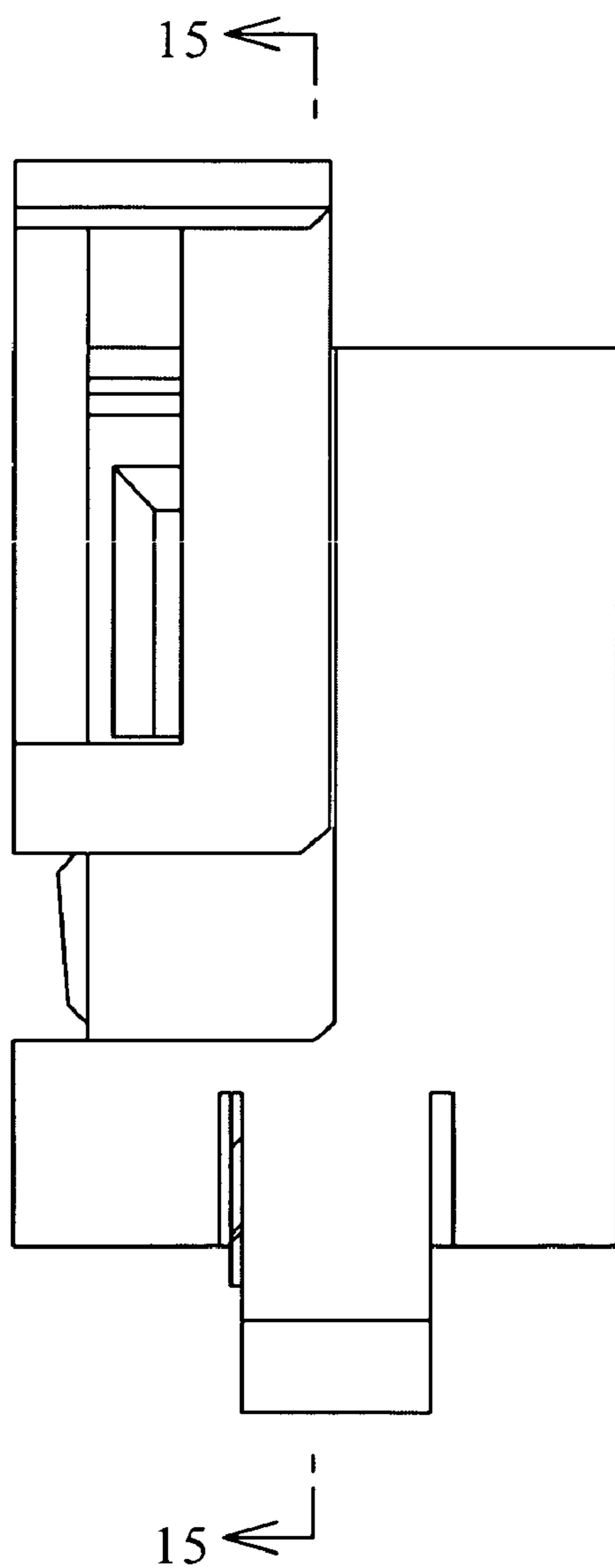


Fig.10

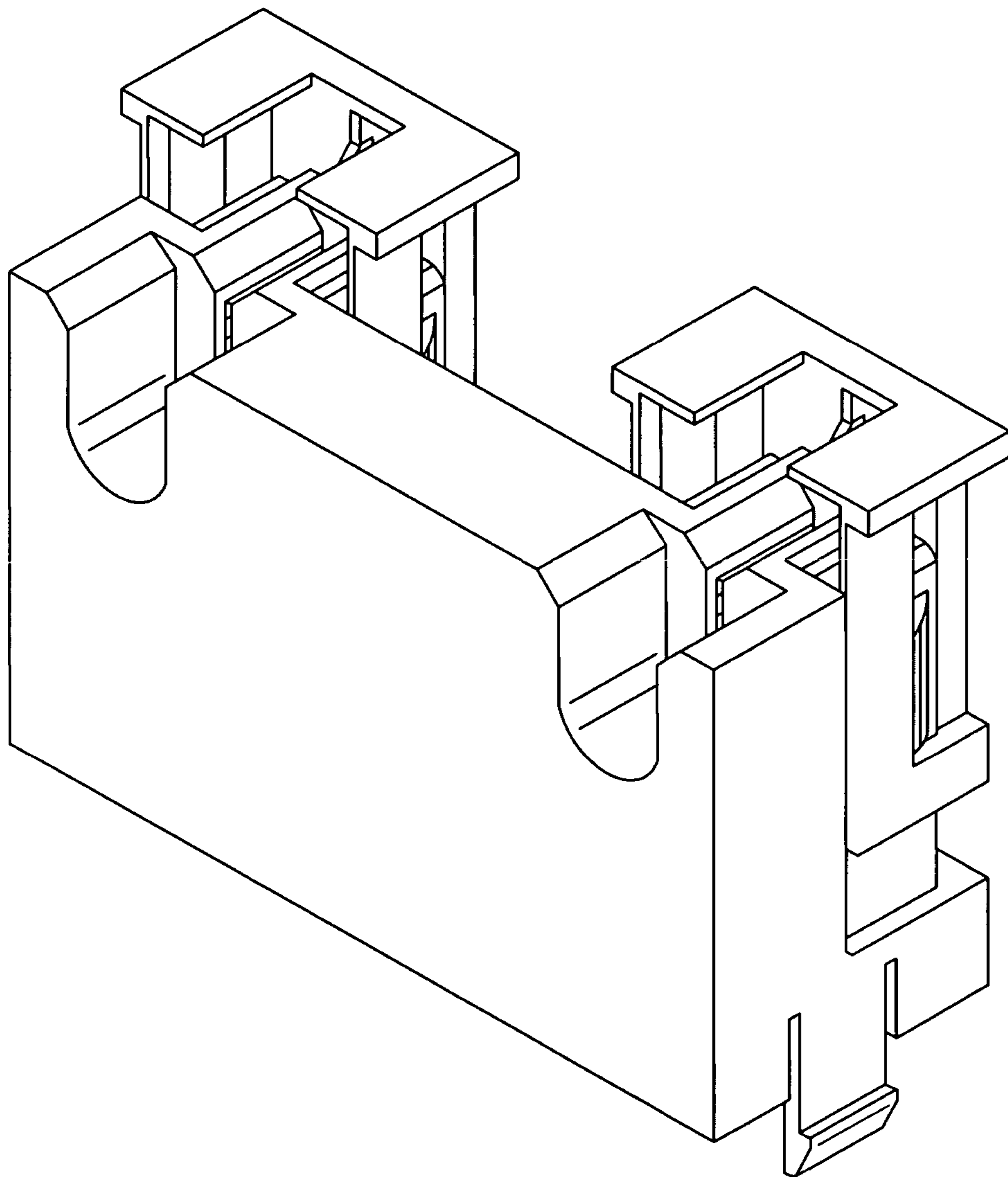


Fig.11

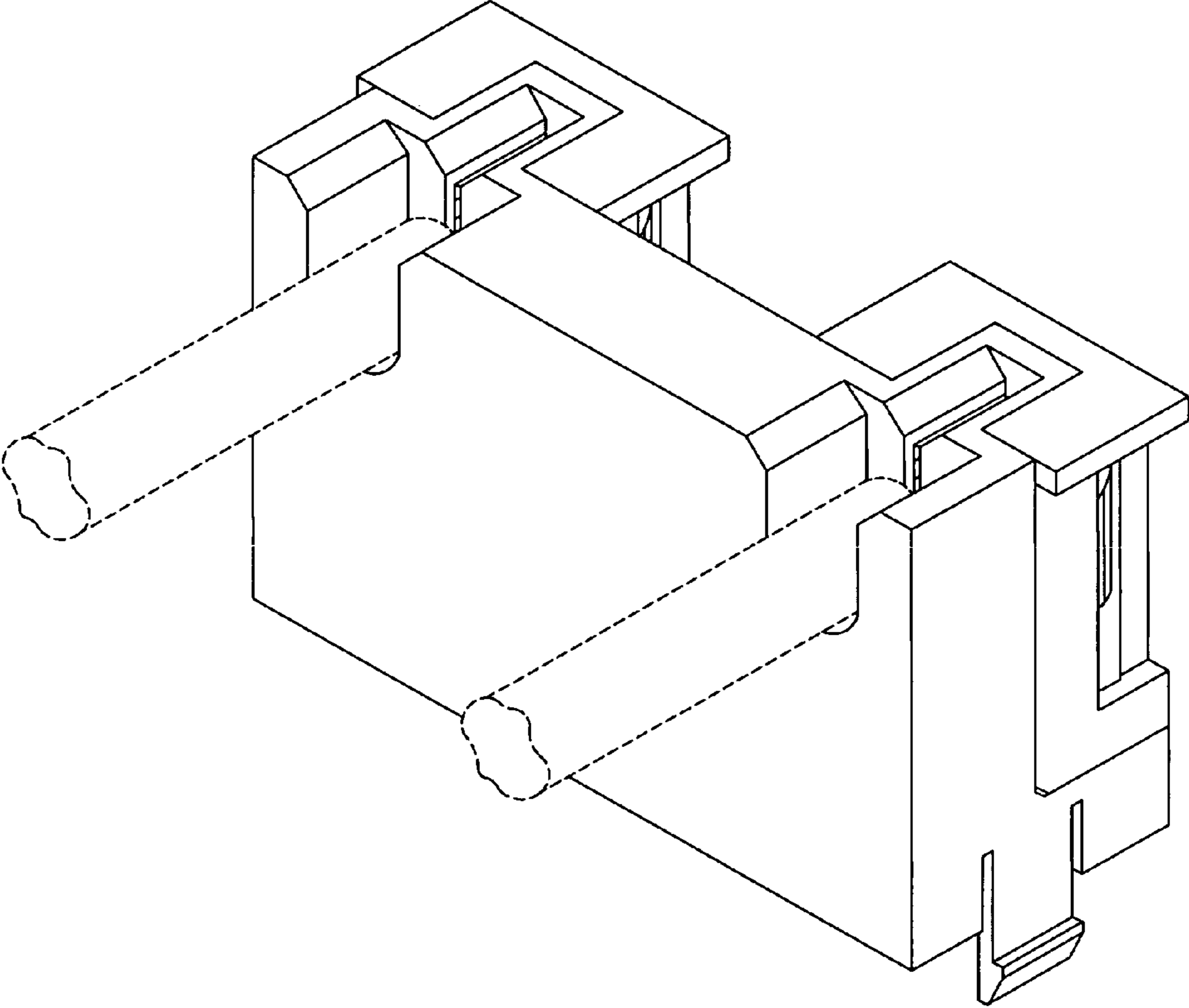


Fig.12

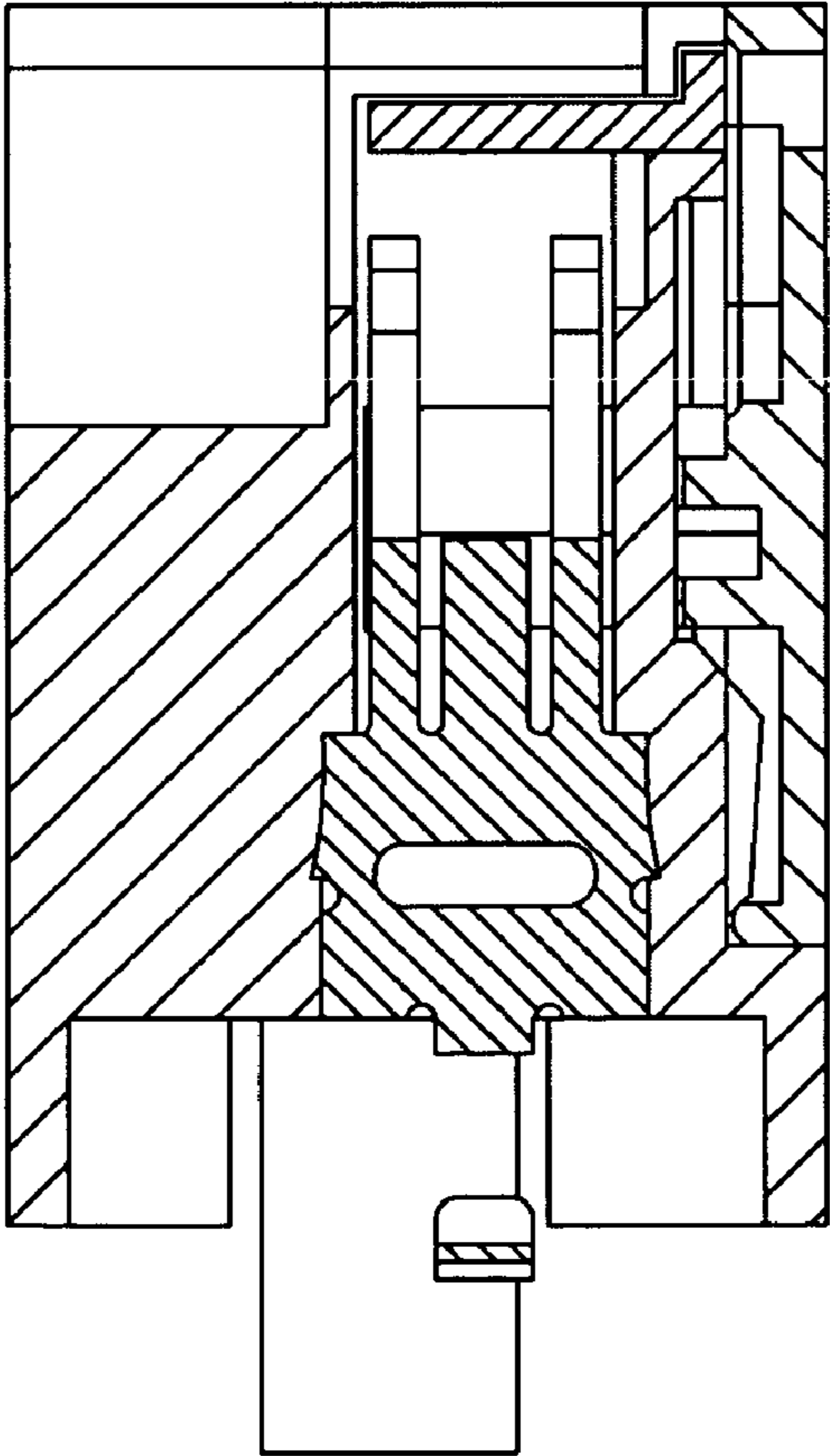


Fig.13

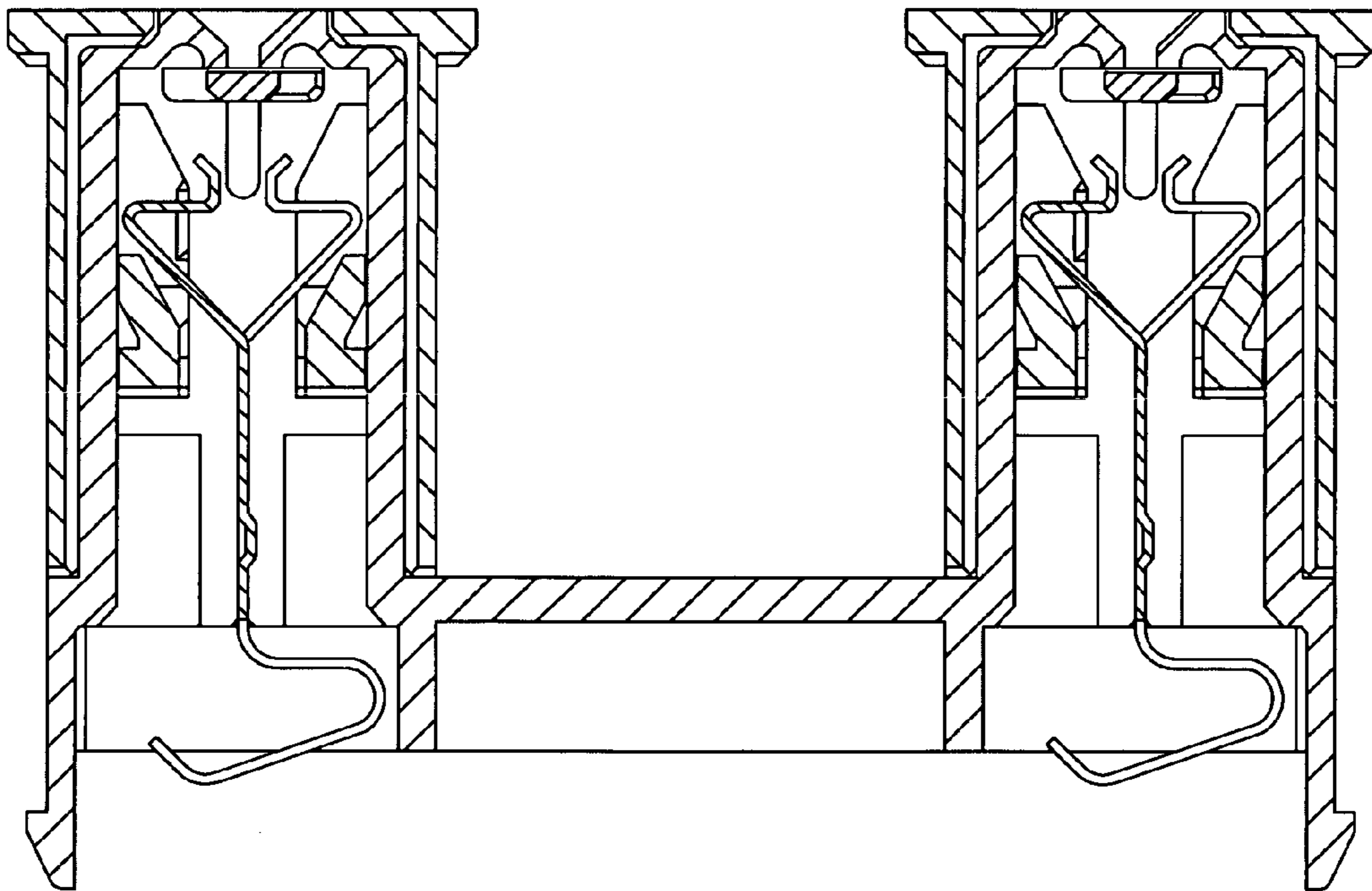


Fig.14

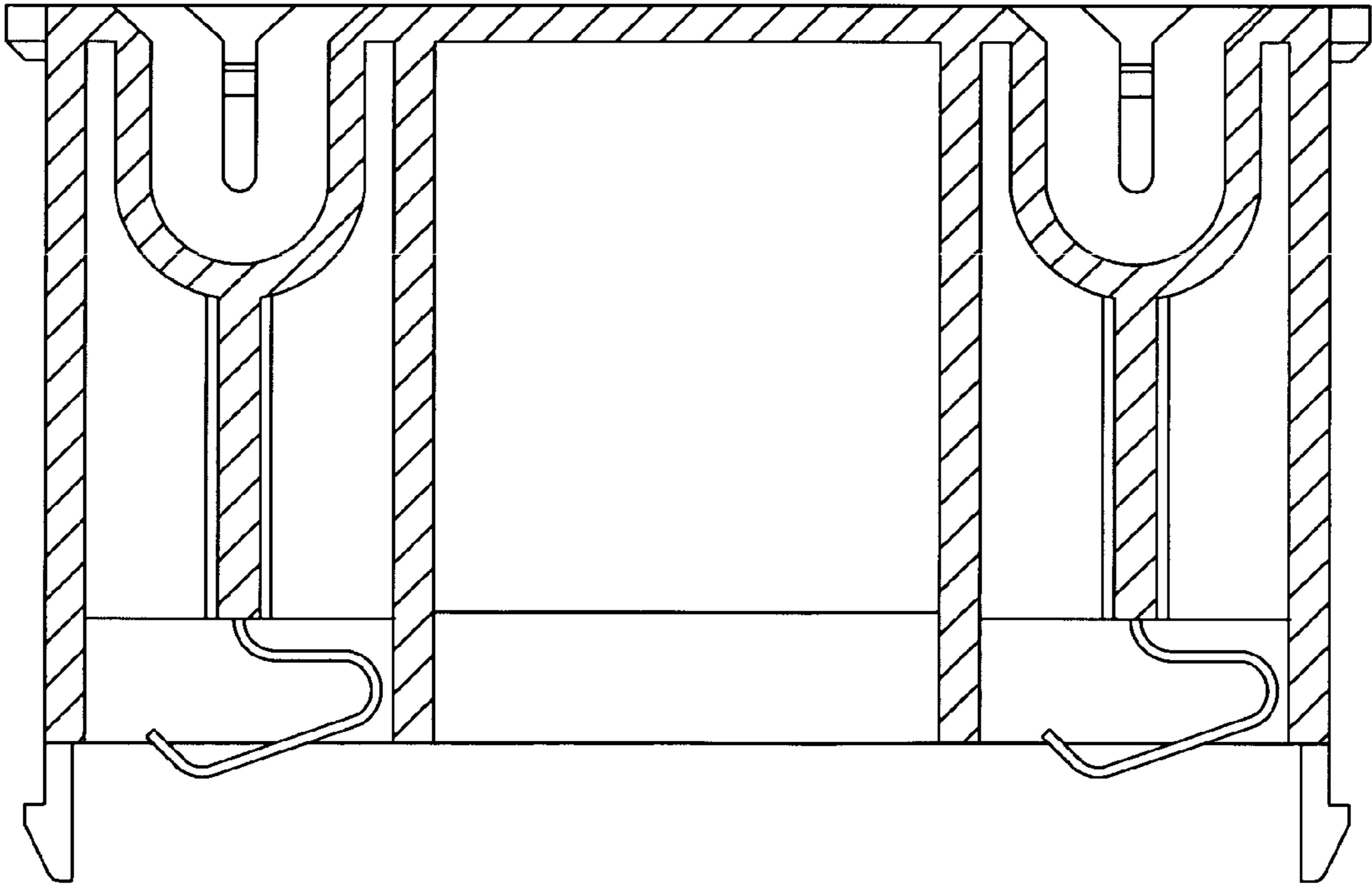


Fig.15

