



US00D583758S

(12) **United States Design Patent**
Cheng et al.

(10) **Patent No.:** **US D583,758 S**

(45) **Date of Patent:** **** Dec. 30, 2008**

(54) **CONNECTOR SHELL**

(75) Inventors: **Ning-lang Cheng**, Tu-Cheng (TW);
Yu-hung Su, Tu-Cheng (TW);
Sheng-tsung Yuan, Tu-Cheng (TW)

(73) Assignee: **Cheng Uei Precision Industry Co., Ltd.**, Taipei Hsien (TW)

(**) Term: **14 Years**

(21) Appl. No.: **29/274,796**

(22) Filed: **May 25, 2007**

(51) **LOC (8) Cl.** **13-03**

(52) **U.S. Cl.** **D13/133; D13/147; D13/154**

(58) **Field of Classification Search** D13/133,
D13/146-147, 154, 184; 439/79, 108, 378,
439/607-610, 660, 668, 680

See application file for complete search history.

(56) **References Cited**

U.S. PATENT DOCUMENTS

D537,791 S * 3/2007 Yuan et al. D13/147

D540,746 S * 4/2007 Watanabe et al. D13/147

D543,151 S * 5/2007 Watanabe et al. D13/147

D555,100 S * 11/2007 Ikegami D13/147

D569,345 S * 5/2008 Ikegami D13/147

* cited by examiner

Primary Examiner—Daniel D Bui

(74) *Attorney, Agent, or Firm*—Rosenberg, Klein & Lee

(57) **CLAIM**

The ornamental design for a connector shell, as shown and described.

DESCRIPTION

FIG. 1 is a perspective view of a connector shell showing our new design;

FIG. 2 is a front elevational view thereof;

FIG. 3 is a rear elevational view thereof;

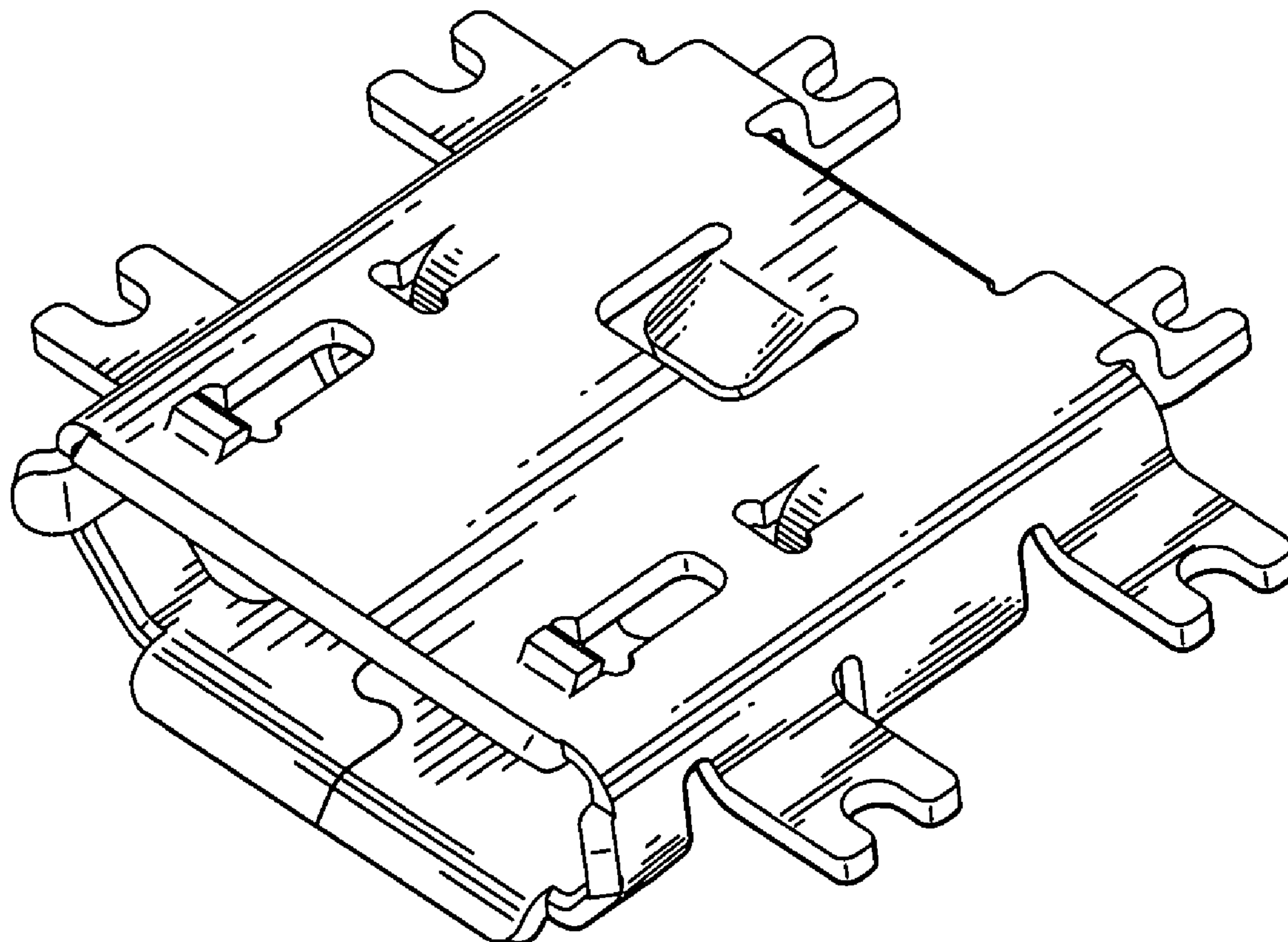
FIG. 4 is a left side elevational view thereof;

FIG. 5 is a right side elevational view thereof;

FIG. 6 is a top plan view thereof; and,

FIG. 7 is a bottom plan view thereof.

1 Claim, 7 Drawing Sheets



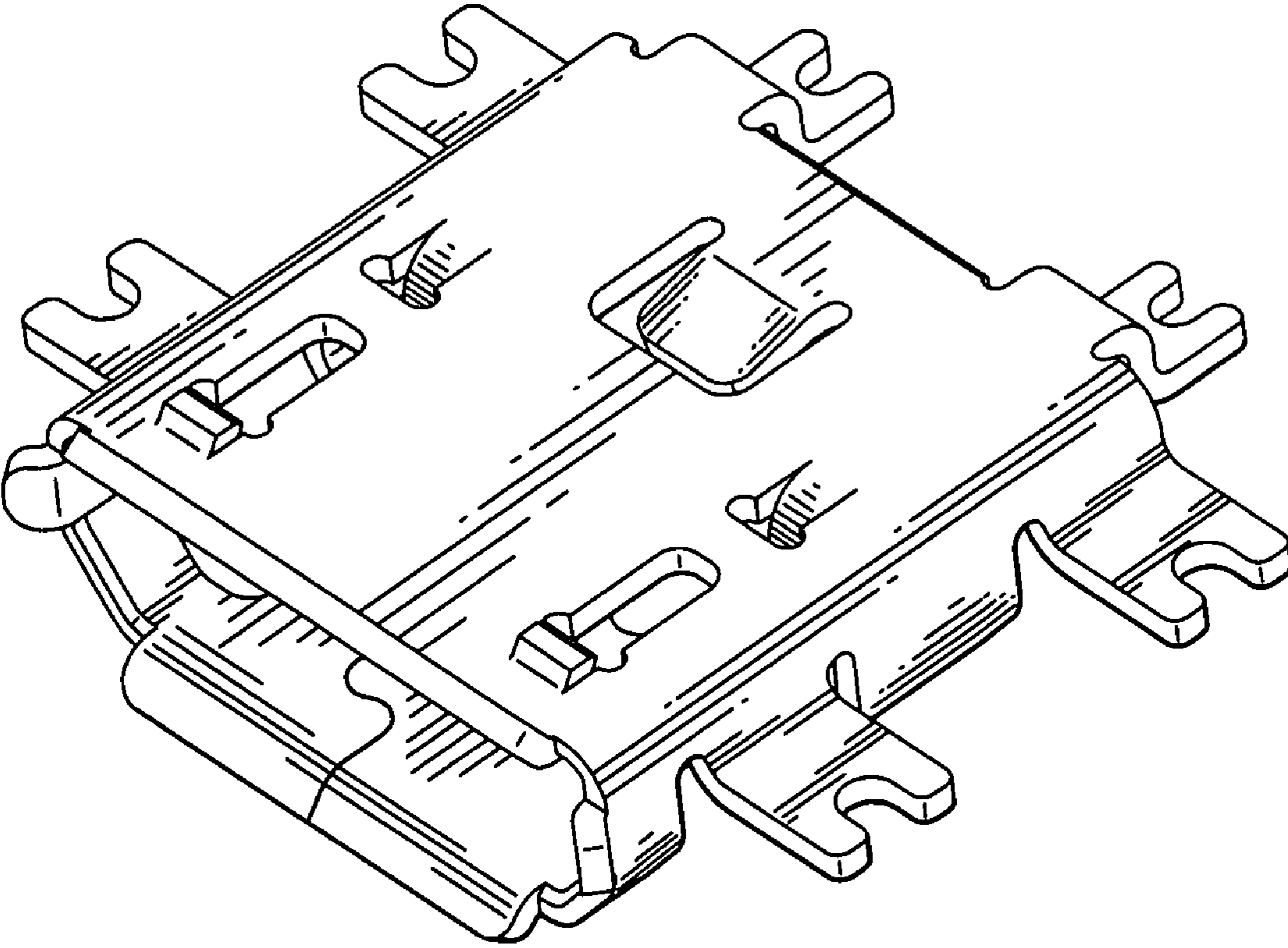


FIG. 1

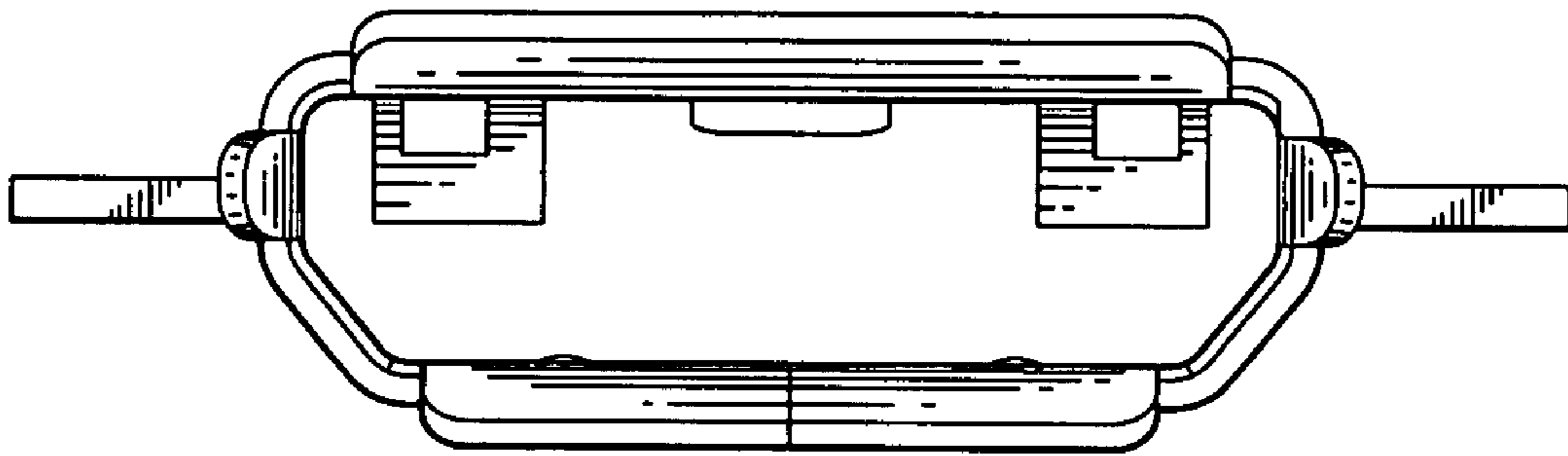


FIG. 2

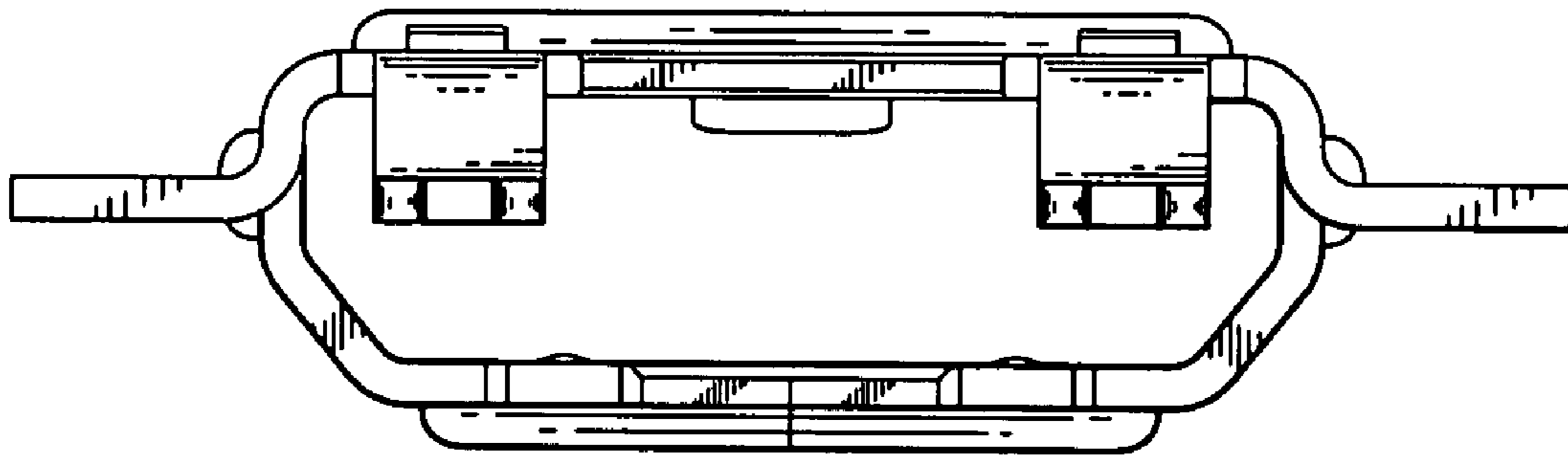


FIG. 3

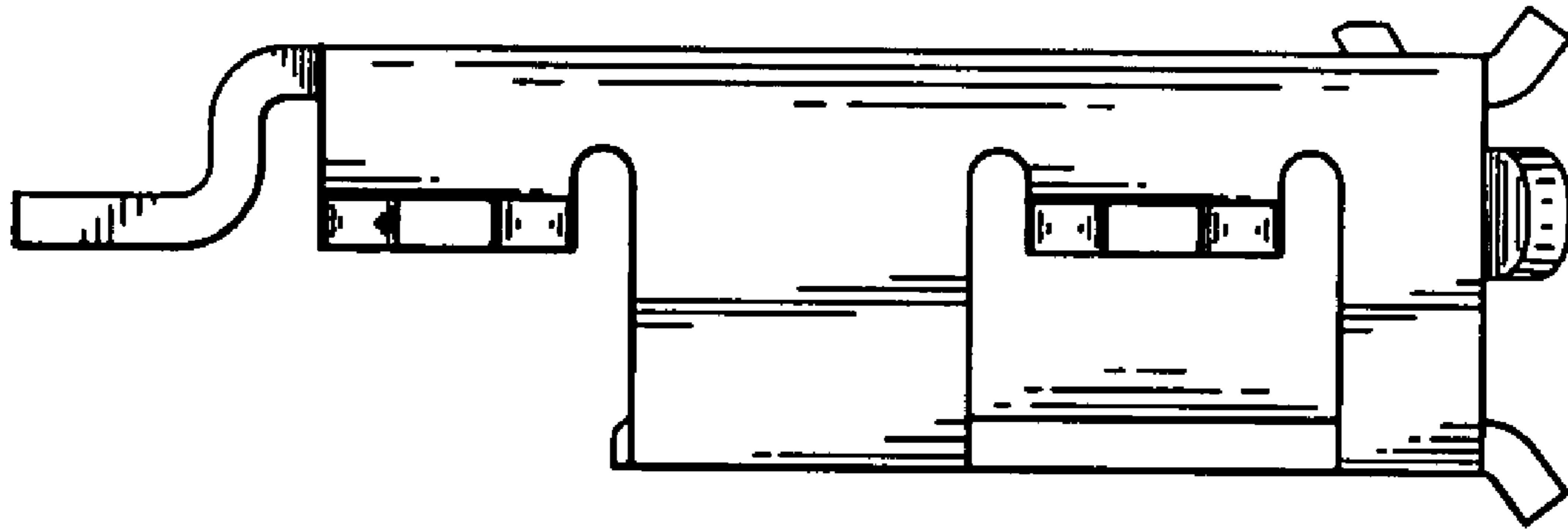


FIG. 4

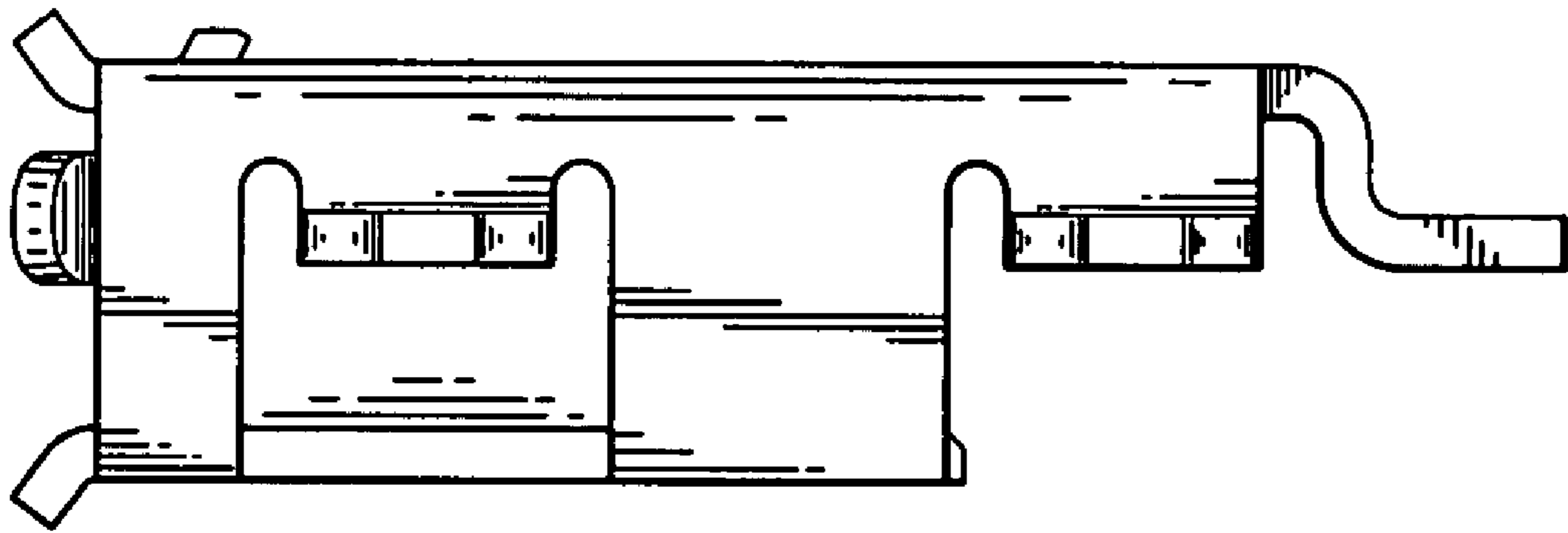


FIG. 5

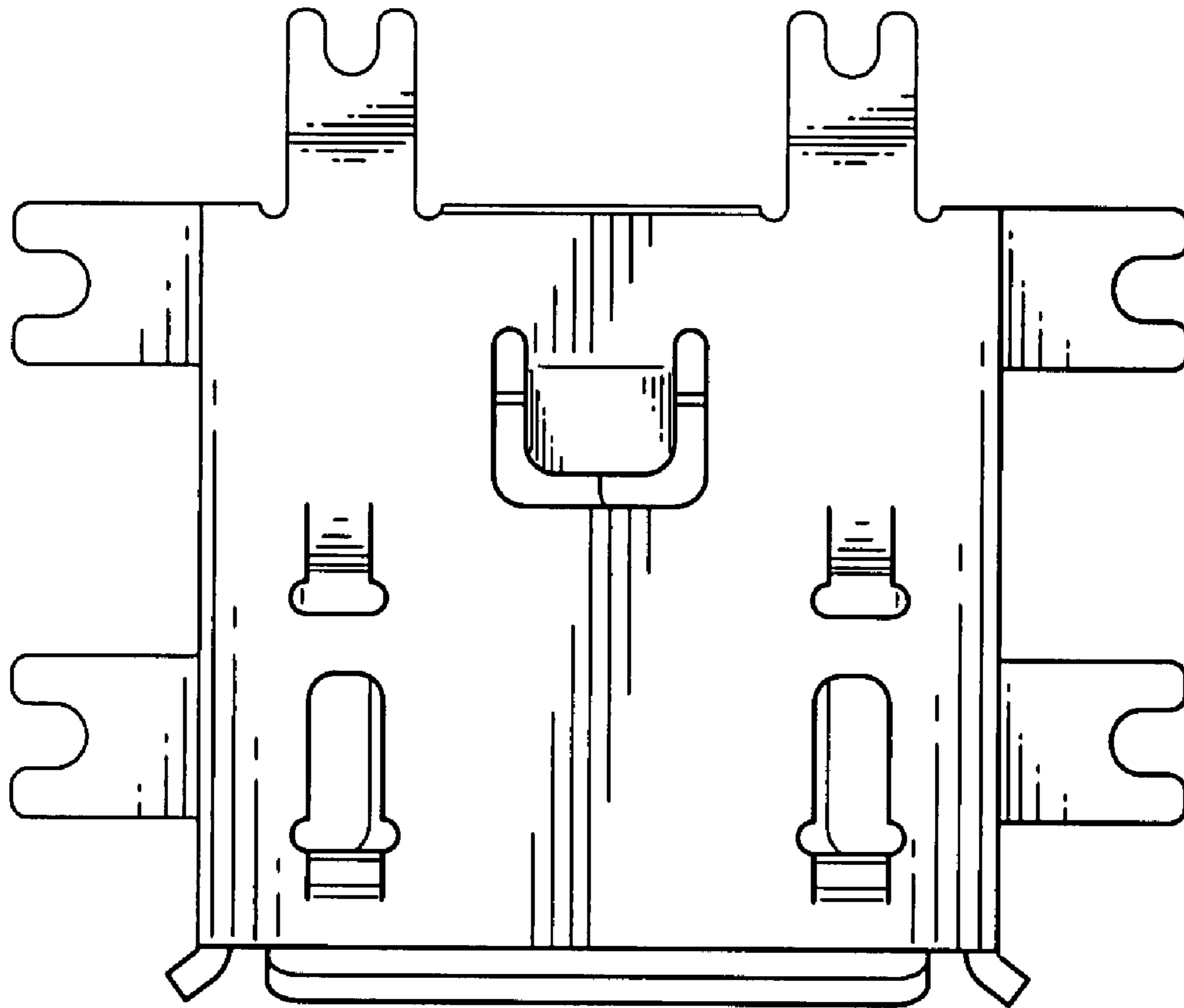


FIG. 6

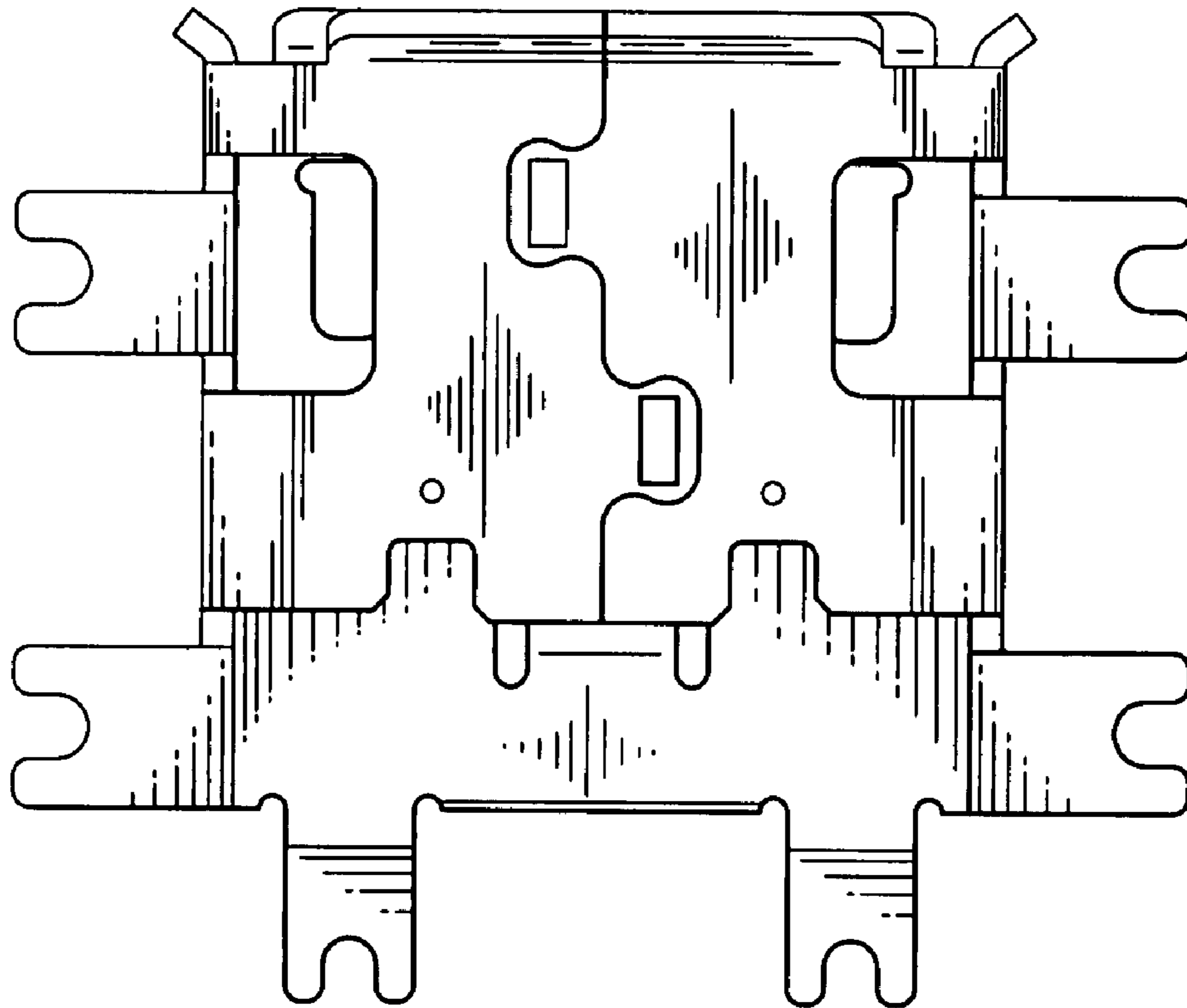


FIG. 7