



US00D583756S

(12) **United States Design Patent**
Walsh et al.

(10) **Patent No.:** **US D583,756 S**
(45) **Date of Patent:** **** Dec. 30, 2008**

(54) **BATTERY PACK**

D569,794 S * 5/2008 Zhang et al. D13/103

(75) Inventors: **John Walsh**, Northport, NY (US);
Kenneth Braganca, Ronkonkoma, NY (US)

* cited by examiner

Primary Examiner—Melanie H Tung
Assistant Examiner—Rosemary K Tarcza

(73) Assignee: **Designstar Vision, Inc.**, Ronkonkoma, NY (US)

(74) *Attorney, Agent, or Firm*—The Plevy Law Firm

(**) Term: **14 Years**

(57) **CLAIM**

(21) Appl. No.: **29/307,187**

We claim, the ornamental design for a battery pack, as shown and described.

(22) Filed: **Apr. 3, 2008**

DESCRIPTION

(51) **LOC (8) Cl.** **13-02**

FIG. 1 is a front perspective view of a battery pack, showing our new design;

(52) **U.S. Cl.** **D13/103**

FIG. 2 is a front elevational view thereof;

(58) **Field of Classification Search** D13/102–106,
D13/110, 118–120, 184; 429/96–100, 163,
429/176

FIG. 3 is a rear elevational view thereof;

FIG. 4 is a top plan view thereof;

See application file for complete search history.

FIG. 5 is a bottom plan view thereof;

FIG. 6 is a side elevational view thereof; and,

(56) **References Cited**

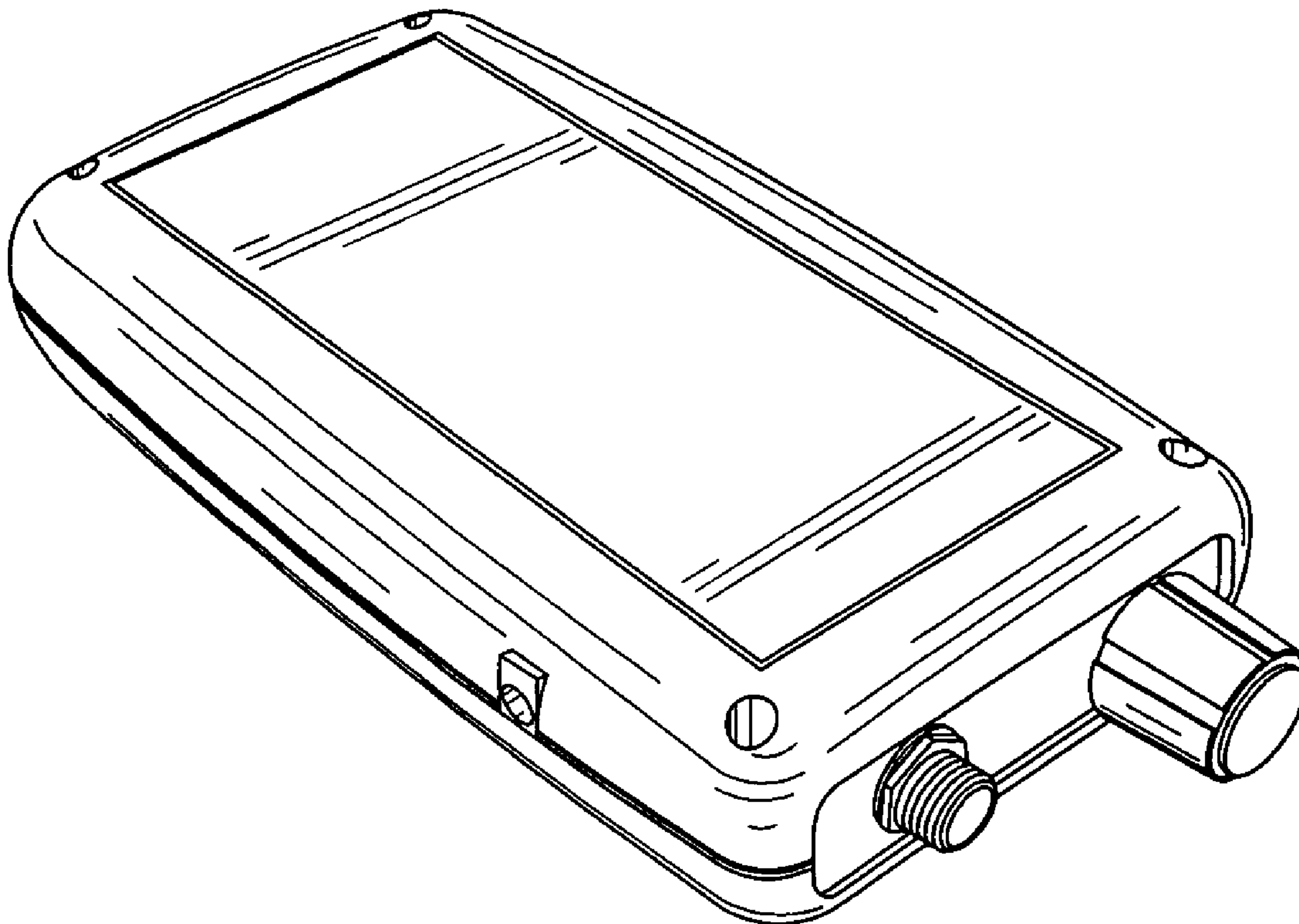
FIG. 7 is a side elevational view from the opposite side shown in FIG. 6.

U.S. PATENT DOCUMENTS

The broken lines shown in the drawings are included for the purpose of illustrating environmental structure and form no part of the claimed design.

| | | | | | |
|------------|---|---------|------------------|-------|---------|
| D281,601 S | * | 12/1985 | Liautaud et al. | | D14/138 |
| D390,187 S | * | 2/1998 | Urvoy | | D13/103 |
| D400,493 S | * | 11/1998 | Witkowski et al. | | D13/103 |
| D548,684 S | * | 8/2007 | Eto et al. | | D13/103 |
| D548,685 S | * | 8/2007 | Eto et al. | | D13/103 |
| D568,240 S | * | 5/2008 | Haydvoegel | | D13/103 |

1 Claim, 3 Drawing Sheets



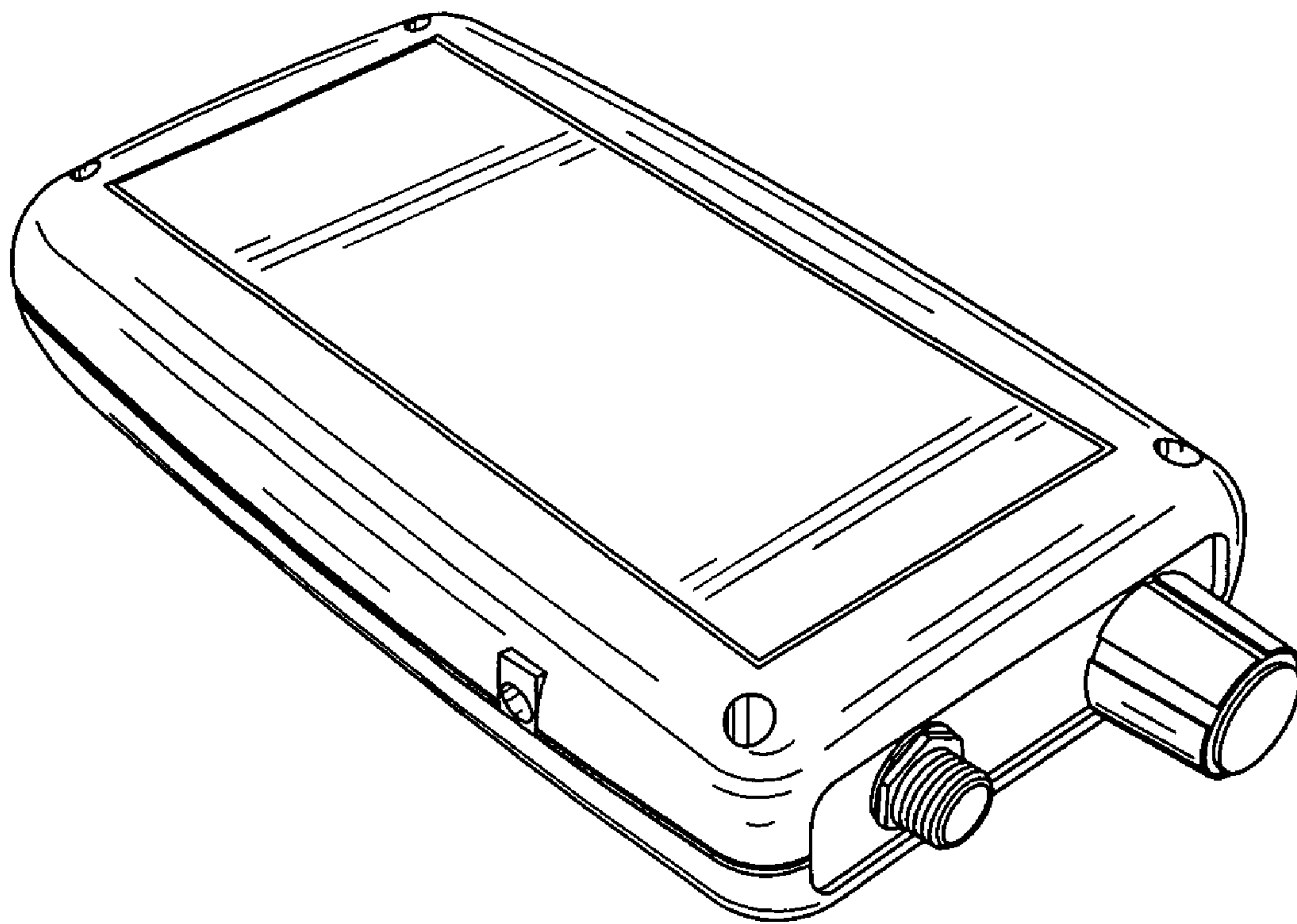


FIG. 1

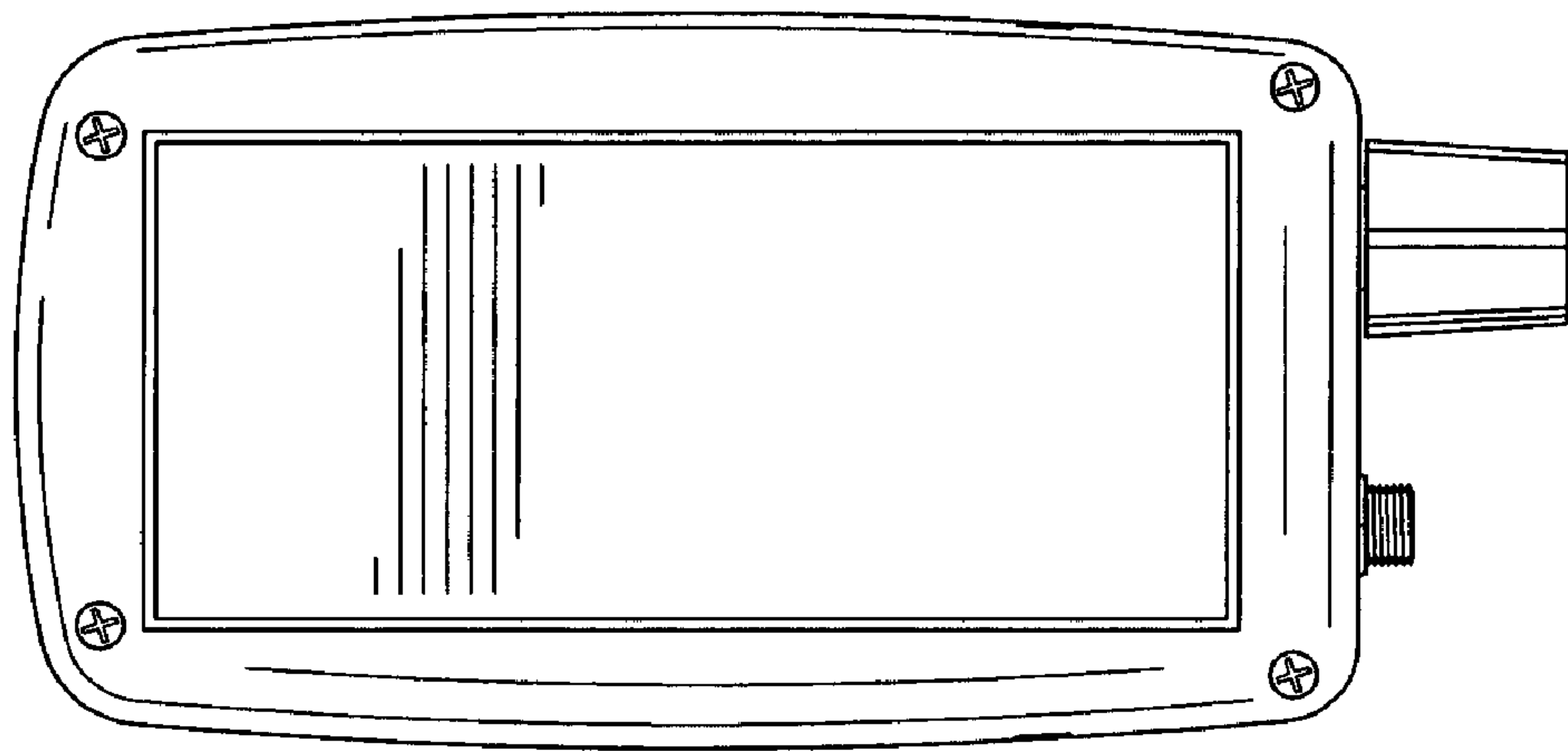


FIG. 2

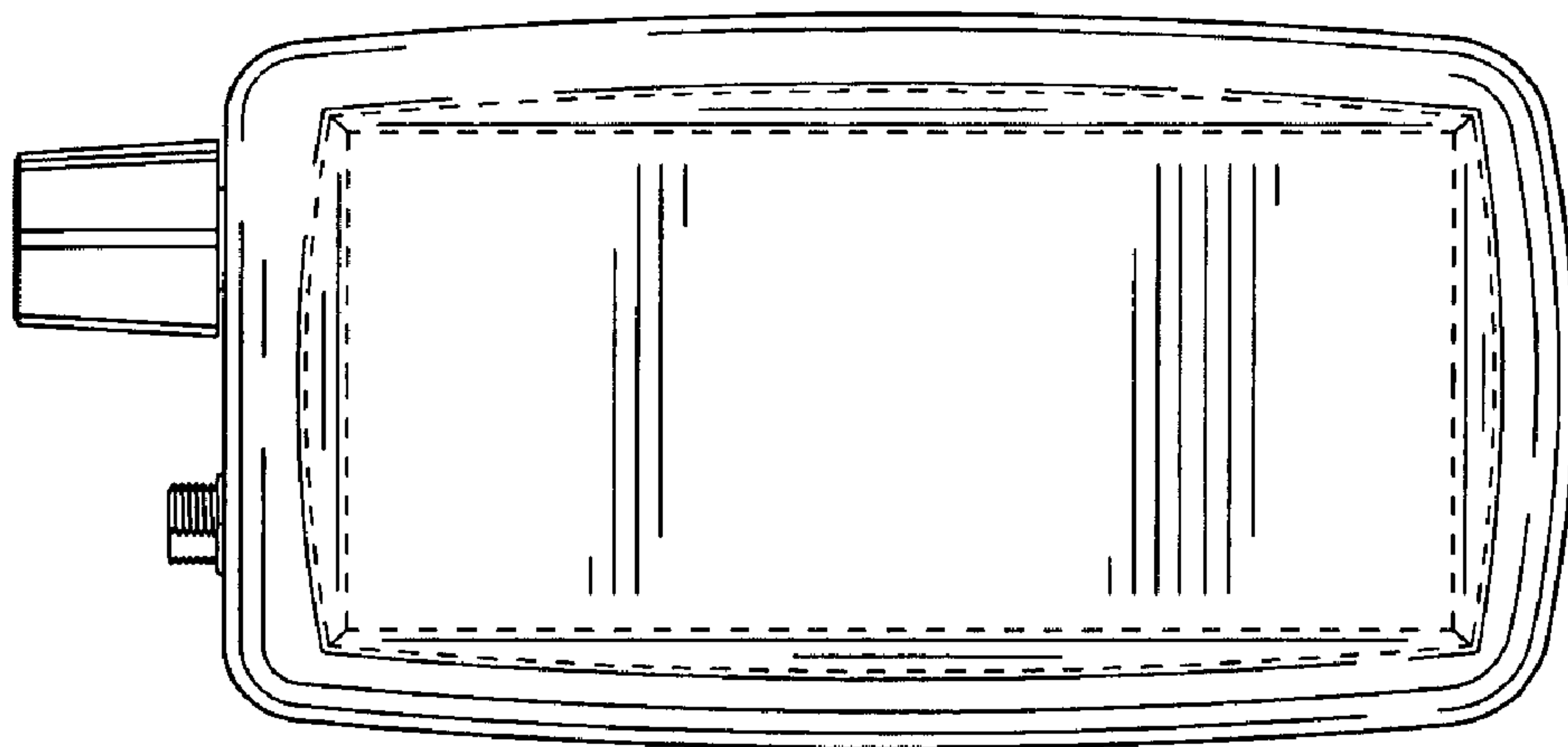


FIG. 3

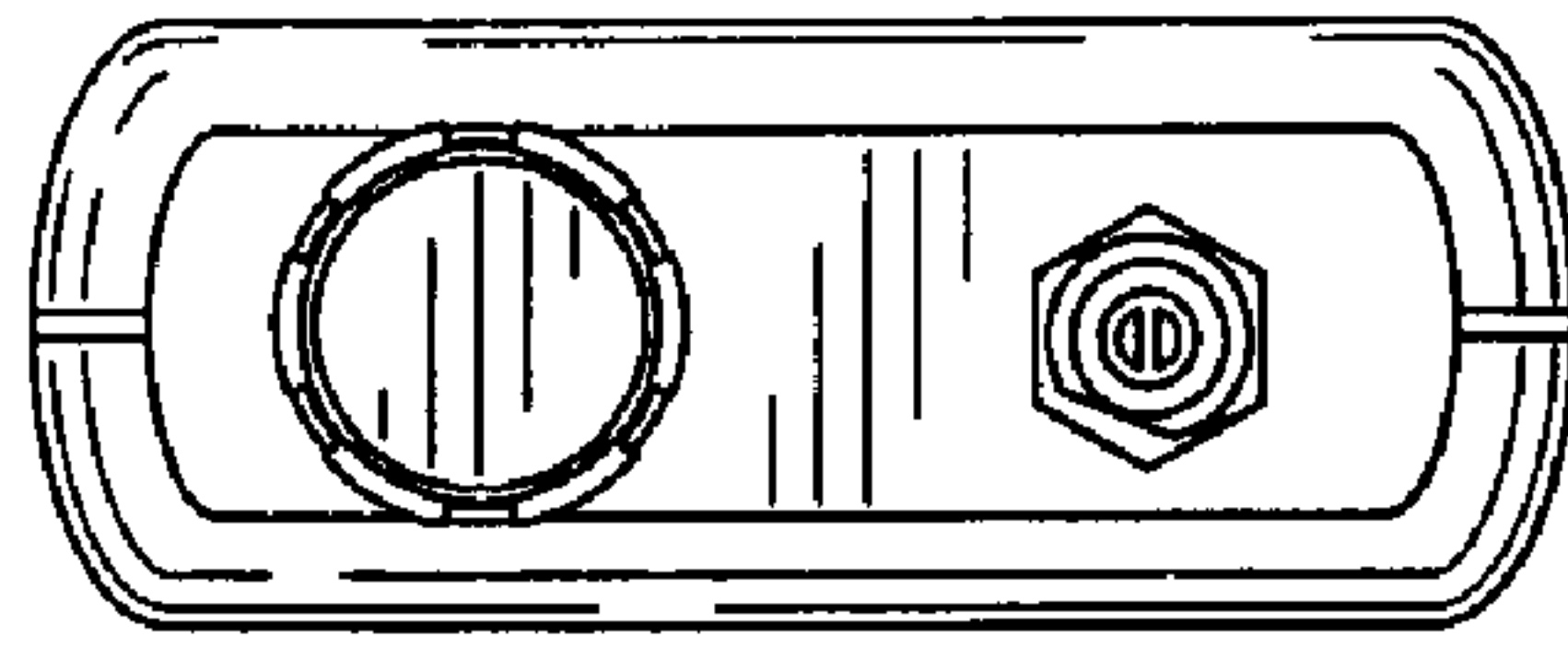


FIG. 4

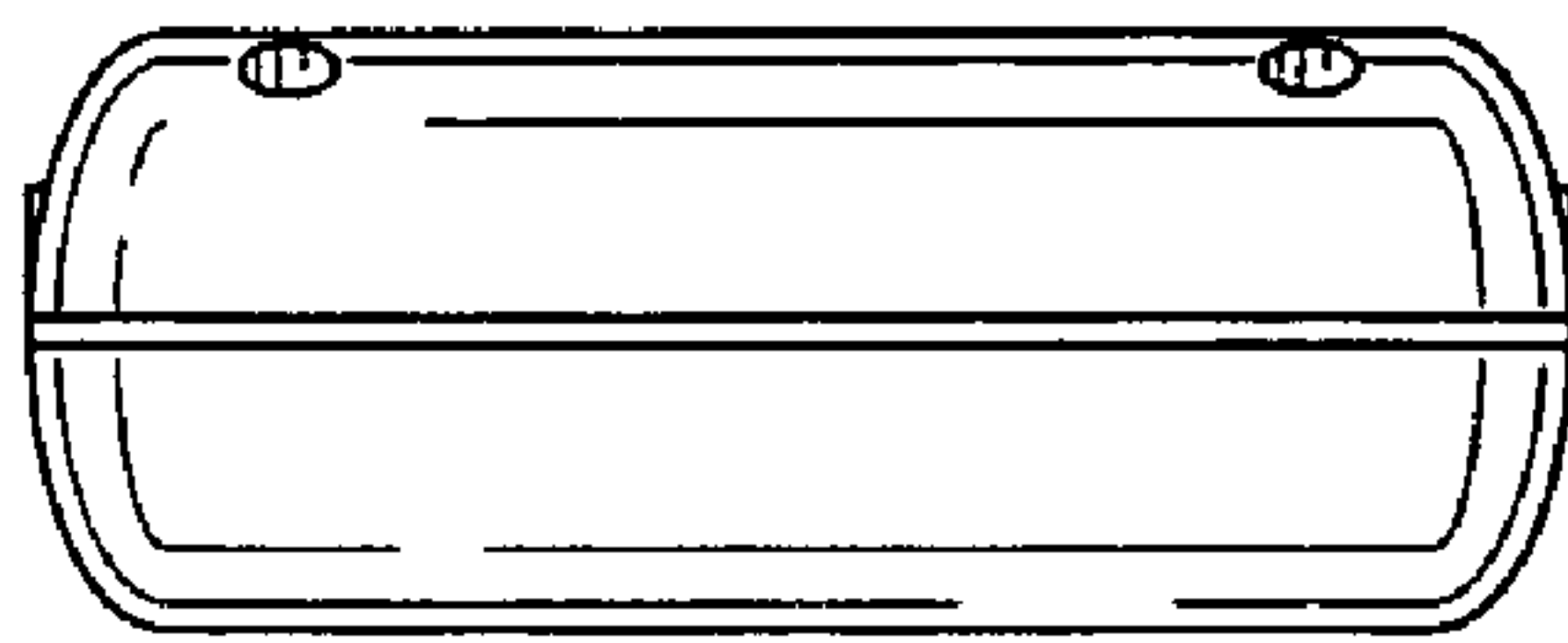


FIG. 5

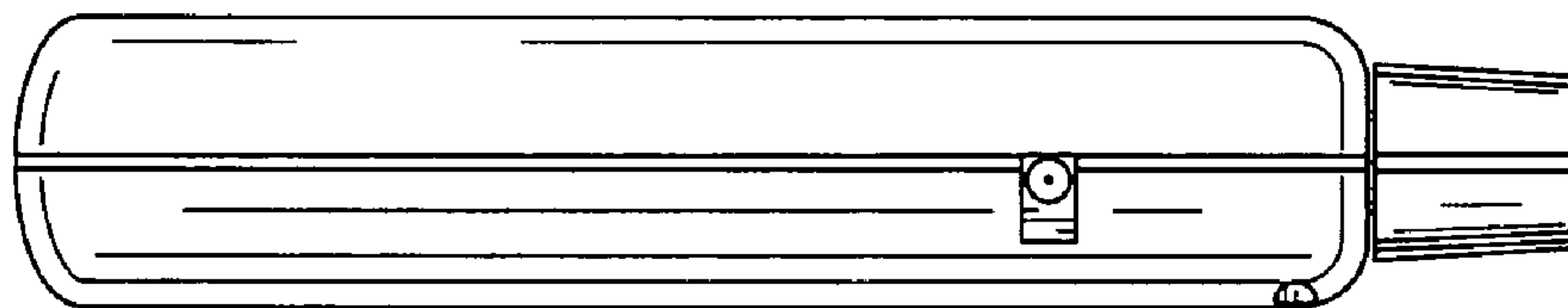


FIG. 6

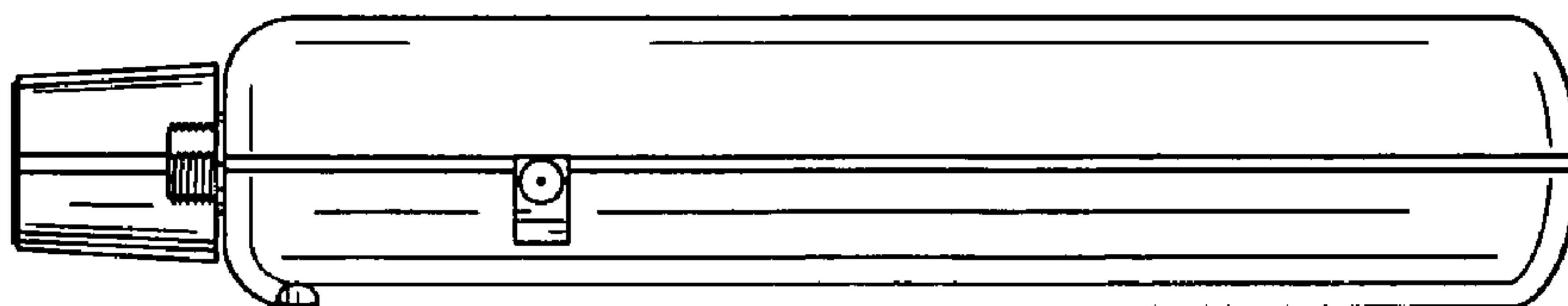


FIG. 7

UNITED STATES PATENT AND TRADEMARK OFFICE
CERTIFICATE OF CORRECTION

PATENT NO. : Des. 583,756 S
APPLICATION NO. : 29/307187
DATED : December 20, 2008
INVENTOR(S) : Walsh et al.

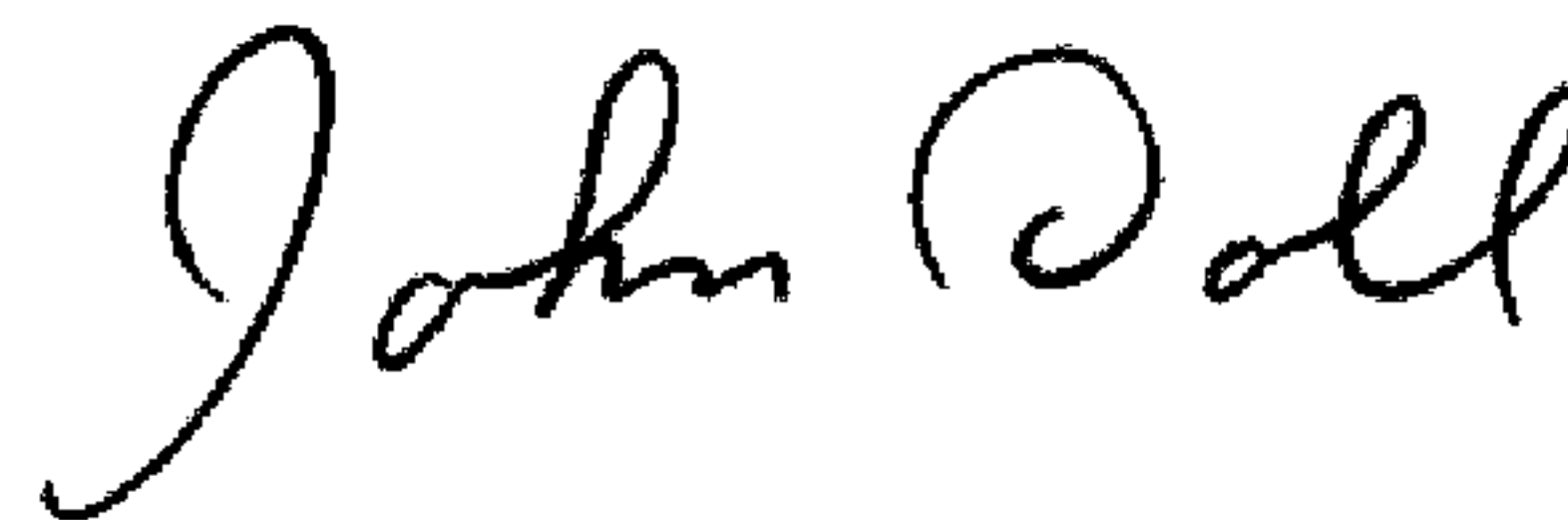
Page 1 of 1

It is certified that error appears in the above-identified patent and that said Letters Patent is hereby corrected as shown below:

On the Title Page Item (73) In the Assignee field, replace "Designstar Vision, Inc." with --Designs for Vision, Inc.--

Signed and Sealed this

Twenty-fourth Day of February, 2009



JOHN DOLL
Acting Director of the United States Patent and Trademark Office

UNITED STATES PATENT AND TRADEMARK OFFICE
CERTIFICATE OF CORRECTION

PATENT NO. : Des. 583,756 S
APPLICATION NO. : 29/307187
DATED : December 30, 2008
INVENTOR(S) : Walsh et al.

Page 1 of 1

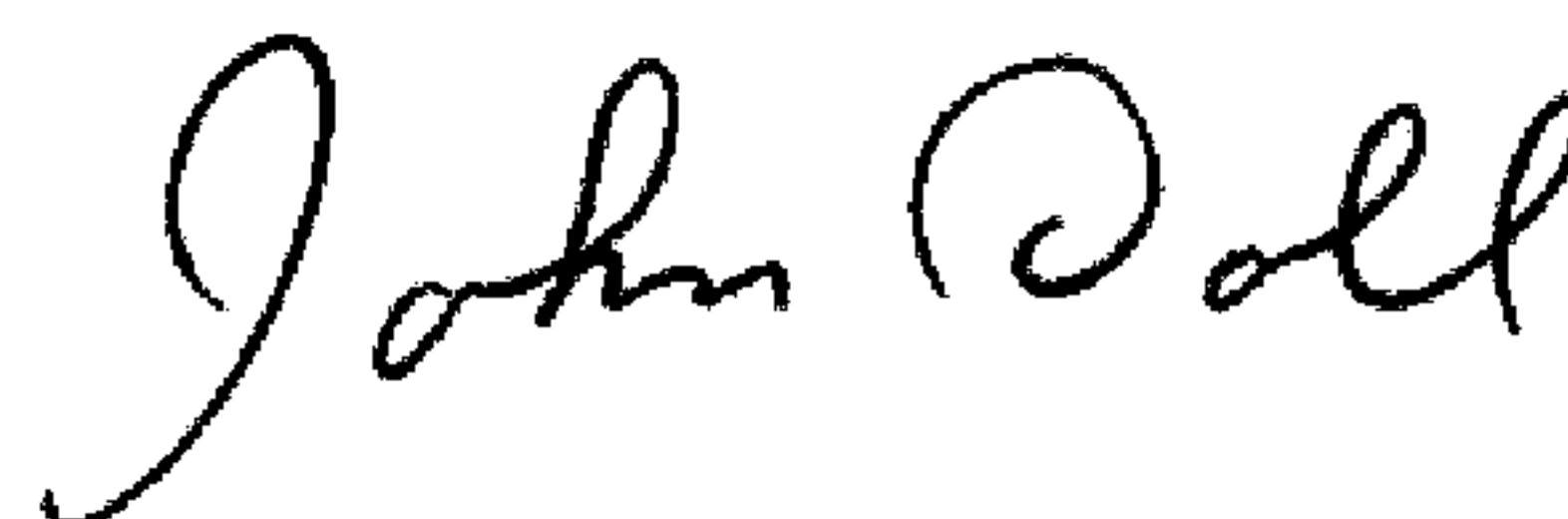
It is certified that error appears in the above-identified patent and that said Letters Patent is hereby corrected as shown below:

On the Title Page Item (73) In the Assignee field, replace "Designstar Vision, Inc." with --Designs for Vision, Inc.--

This certificate supersedes the Certificate of Correction issued February 24, 2009.

Signed and Sealed this

Seventeenth Day of March, 2009



JOHN DOLL
Acting Director of the United States Patent and Trademark Office