



US00D583752S

(12) **United States Design Patent**  
**Georges et al.**

(10) **Patent No.:** **US D583,752 S**  
(45) **Date of Patent:** **\*\* Dec. 30, 2008**

(54) **TIRE TREAD**

(75) Inventors: **Francois Pierre Georges**, Stavelot (BE);  
**Michel Etienne Joseph Marquet**,  
Bastogne (BE); **Roland Willibrord**  
**Krier**, Biwer (LU)

(73) Assignee: **The Goodyear Tire & Rubber**  
**Company**, Akron, OH (US)

(\*\*) Term: **14 Years**

(21) Appl. No.: **29/263,467**

(22) Filed: **Jul. 24, 2006**

(51) **LOC (8) Cl.** ..... **12-15**

(52) **U.S. Cl.** ..... **D12/553**

(58) **Field of Classification Search** ..... D12/505-567;  
152/209.1, 209.12, 209.18, 209.25

See application file for complete search history.

(56) **References Cited**

**U.S. PATENT DOCUMENTS**

D283,499 S	*	4/1986	Hammond	.....	D12/536
D287,349 S	*	12/1986	Yonekura et al.	.....	D12/543
D294,687 S	*	3/1988	Stelzer	.....	D12/583
D315,128 S		3/1991	Graas et al.	.....	D12/147
D335,483 S	*	5/1993	Cusimano et al.	.....	D12/555
D405,397 S	*	2/1999	Marchand	.....	D12/560
D411,491 S		6/1999	Harden, Jr. et al.	.....	D12/148
D411,492 S	*	6/1999	Young	.....	D12/593
D423,419 S	*	4/2000	Kemp et al.	.....	D12/553
D423,995 S	*	5/2000	Gillard et al.	.....	D12/559
D452,199 S		12/2001	Robert et al.	.....	D12/146
D458,580 S		6/2002	Young et al.	.....	D12/512
D470,454 S	*	2/2003	Helt	.....	D12/582
D480,045 S		9/2003	Durand et al.	.....	D12/601
D498,205 S		11/2004	Young et al.	.....	D12/576
D500,288 S		12/2004	Maziarka et al.	.....	D12/601
D504,865 S		5/2005	Maziarka et al.	.....	D12/521

D517,468 S	*	3/2006	Le et al.	.....	D12/566
D534,858 S	*	1/2007	Le et al.	.....	D12/553
D541,731 S	*	5/2007	Maziarka et al.	.....	D12/528
D541,733 S	*	5/2007	Lhospitalier	.....	D12/548
D541,736 S	*	5/2007	Helt	.....	D12/600
D550,147 S	*	9/2007	Radulescu	.....	D12/545
D554,055 S	*	10/2007	Beauguitte et al.	.....	D12/600
D555,078 S	*	11/2007	Radulescu et al.	.....	D12/553
D558,137 S	*	12/2007	Maziarka et al.	.....	D12/601

\* cited by examiner

*Primary Examiner*—Robert M Spear

*Assistant Examiner*—George D Kirschbaum

(74) *Attorney, Agent, or Firm*—Richard B. O’Planick

(57) **CLAIM**

The ornamental design for a tire tread, as shown and described.

**DESCRIPTION**

FIG. 1 is a perspective view of a tire tread showing our new design, it being understood that the pattern repeats uniformly throughout the circumference of the tread;

FIG. 2 is a front elevational view thereof;

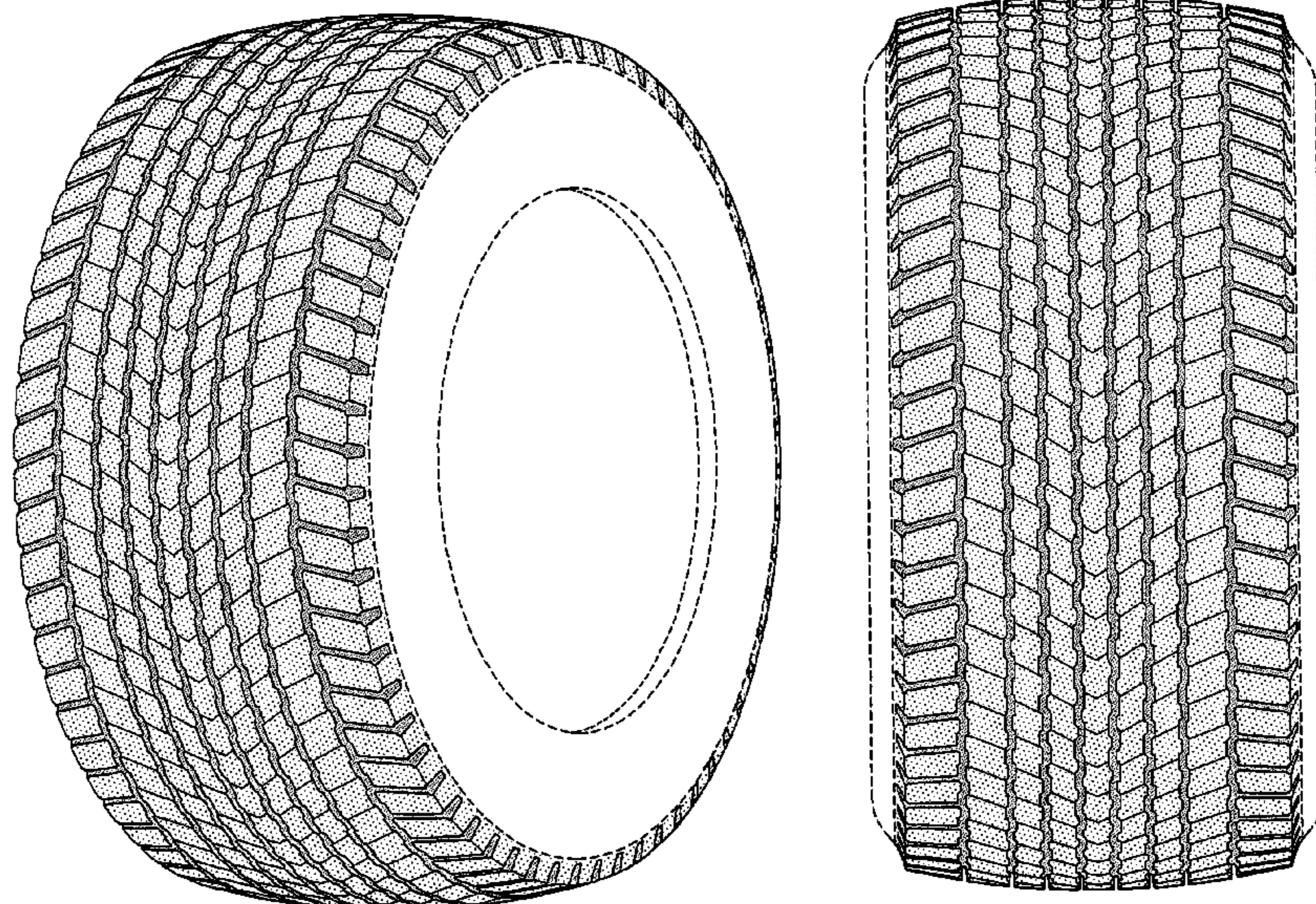
FIG. 3 is a right side elevational view thereof, the other side being a mirror image thereof; and,

FIG. 4 is an enlarged fragmentary front elevational view thereof.

In the drawings, the broken lines defining the sidewall, inner bead and the peripheral boundary between the claimed tire tread and the unclaimed sidewall depict environmental subject matter that forms no part of the claimed design.

The dark stippled surface shading represents the recessed portion of the tread grooves having a depth as best shown in FIG. 2.

**1 Claim, 4 Drawing Sheets**





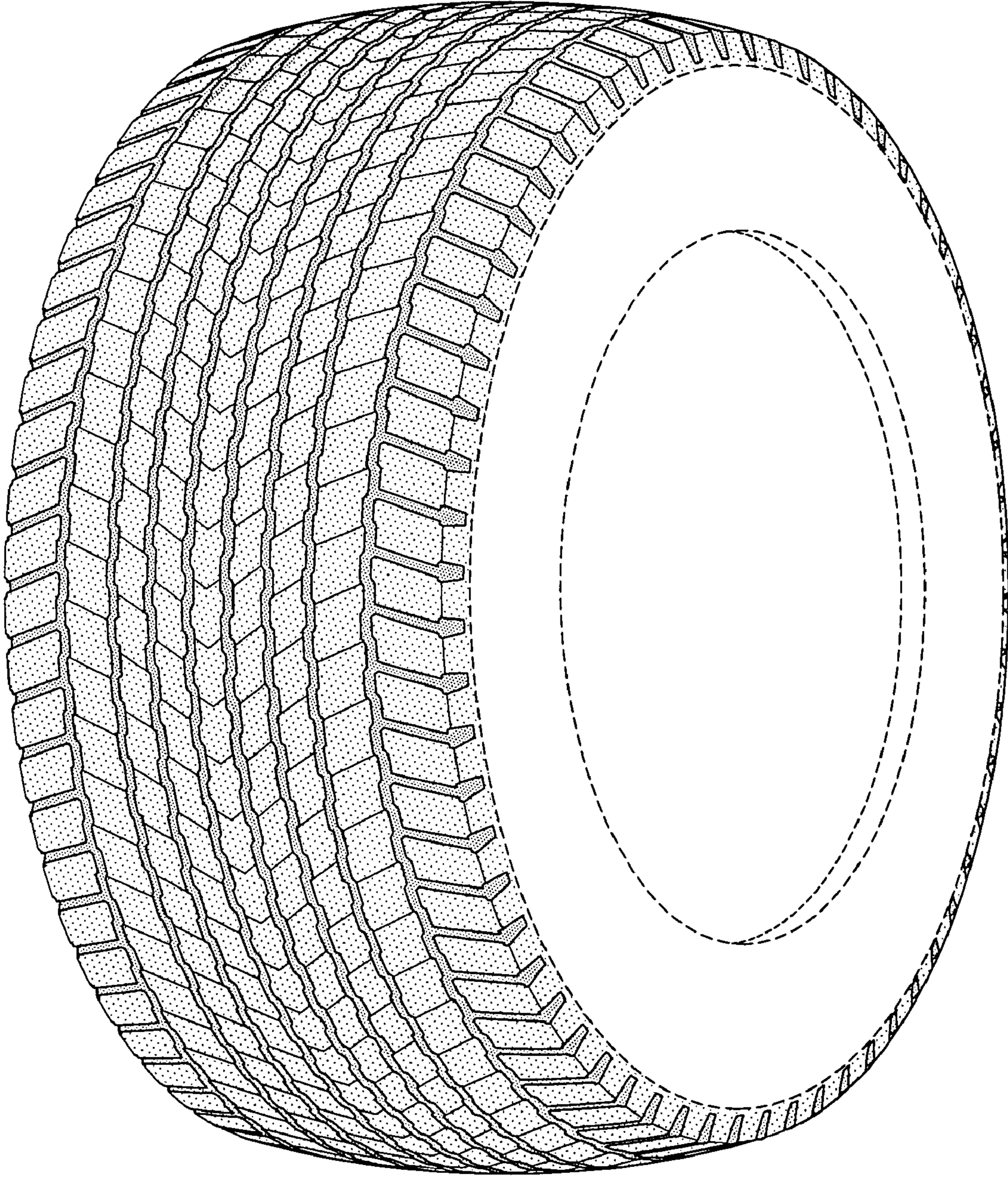


FIG-1



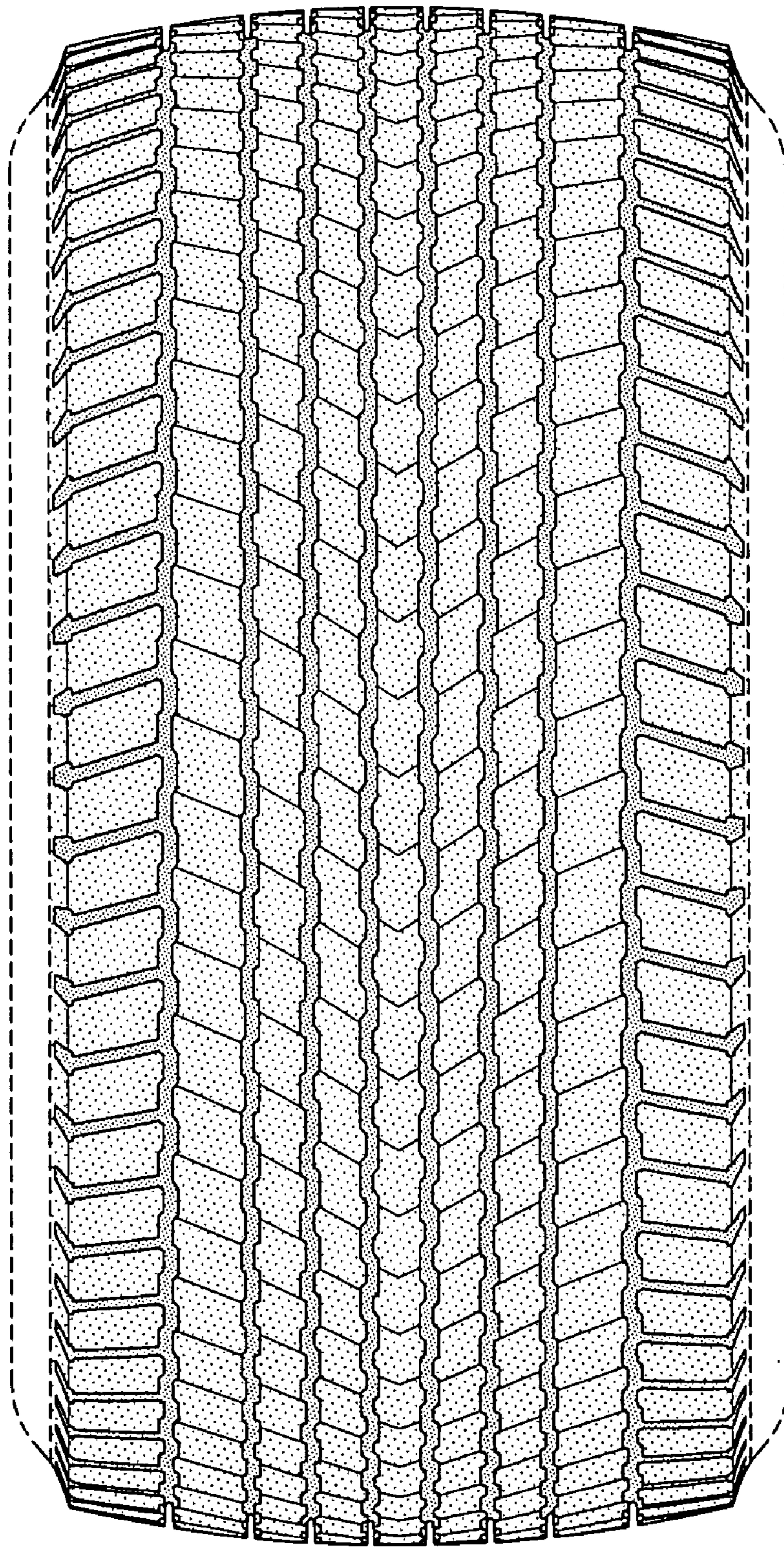


FIG-2

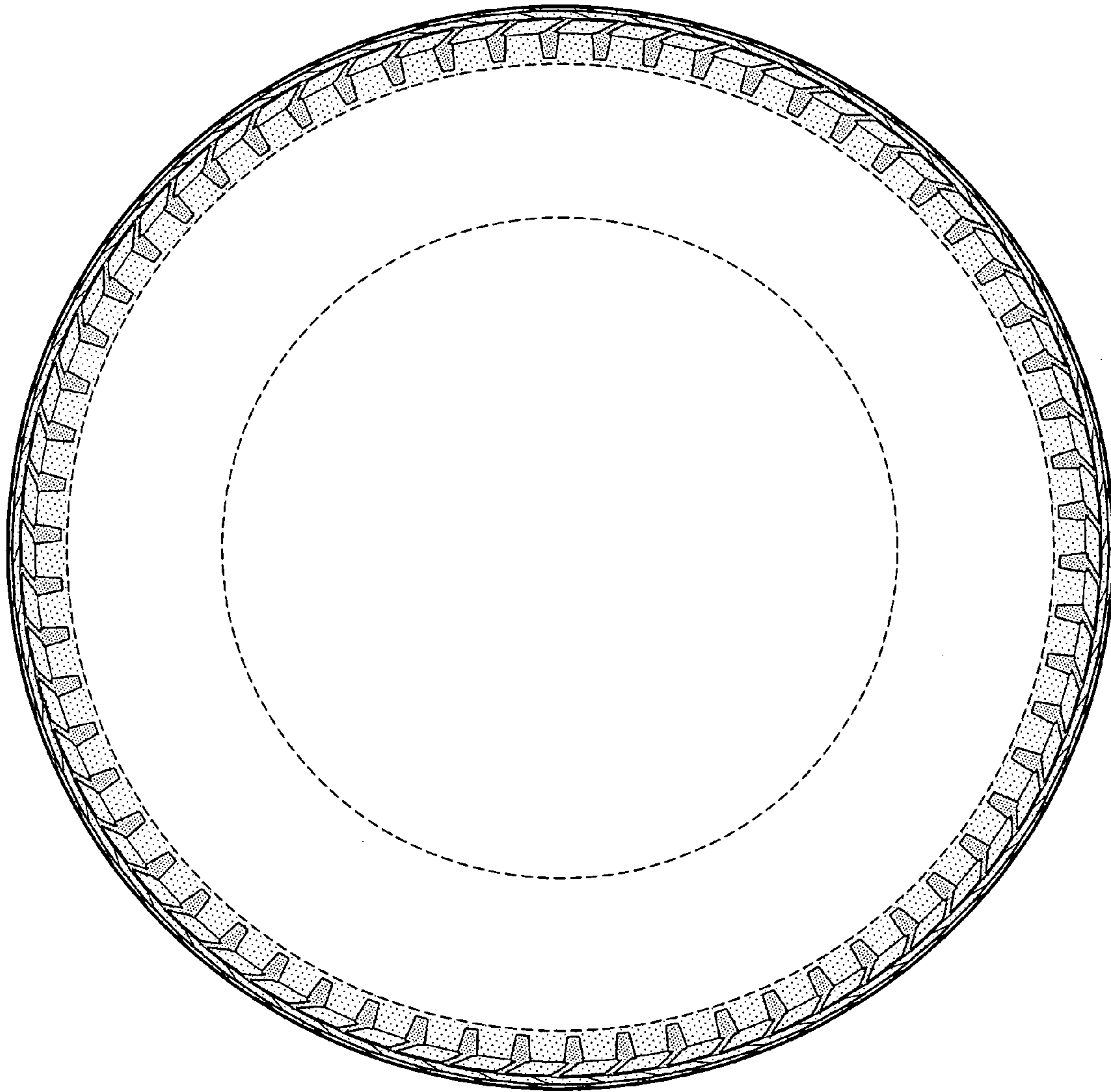


FIG-3



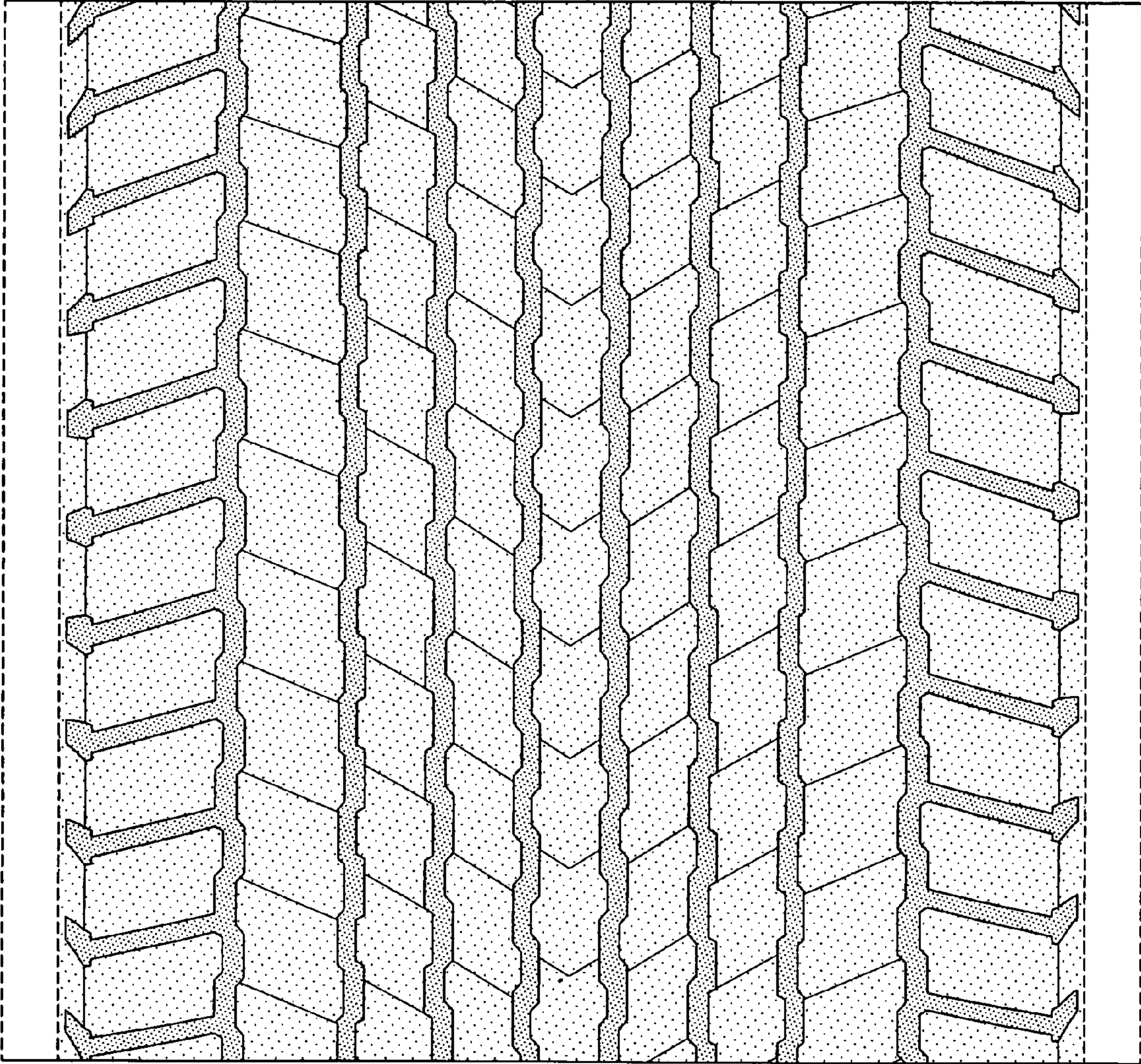


FIG-4