

US00D583749S

(12) **United States Design Patent**
Aruga et al.

(10) **Patent No.:** **US D583,749 S**

(45) **Date of Patent:** **** Dec. 30, 2008**

(54) **VEHICLE CEILING PANEL FOR LIGHTING AND AIR-CONDITIONING**

(75) Inventors: **Hiroyasu Aruga**, Aichi-Ken (JP);
Takafumi Nakatani, Aichi-Ken (JP);
Eisuke Noda, Aichi-Ken (JP); **Zenji Hayakawa**, Aichi-Ken (JP)

(73) Assignee: **Mitsubishi Heavy Industries, Ltd.**,
Tokyo (JP)

(**) Term: **14 Years**

(21) Appl. No.: **29/290,487**

(22) Filed: **Dec. 10, 2007**

(30) **Foreign Application Priority Data**

Jun. 11, 2007 (JP) 2007-015442

(51) **LOC (8) Cl.** **12-16**

(52) **U.S. Cl.** **D12/418**

(58) **Field of Classification Search** D12/415,
D12/418, 400, 195, 190; D14/113, 124,
D14/126, 129, 132-133, 100; 296/37.1-37.8,
296/70, 24.1, 929, 534; 224/311, 539; 180/90;
439/34; 361/683

See application file for complete search history.

(56) **References Cited**

U.S. PATENT DOCUMENTS

D247,234 S * 2/1978 Stewart D12/418
D297,527 S * 9/1988 Iacovelli D12/418
D339,780 S * 9/1993 Burdick D12/418
D340,016 S * 10/1993 Falcoff D12/418
D340,017 S * 10/1993 Falcoff D12/418
D502,440 S * 3/2005 MacWilliam et al. D12/418

D539,212 S * 3/2007 Maezono et al. D12/418
D550,608 S * 9/2007 Vitito D12/418
D558,124 S * 12/2007 Vitito D12/418

* cited by examiner

Primary Examiner—Stacia Cadmus

(74) *Attorney, Agent, or Firm*—Birch, Stewart, Kolasch & Birch, LLP

(57) **CLAIM**

The ornamental design for a vehicle ceiling panel for lighting and air-conditioning, as shown and described.

DESCRIPTION

FIG. 1 is a front view of a vehicle ceiling panel for lighting and air-conditioning showing our new design:

FIG. 2 is a rear view thereof;

FIG. 3 is a right side view thereof;

FIG. 4 is a left side view thereof;

FIG. 5 is a top (plan) view thereof;

FIG. 6 is a bottom view thereof;

FIG. 7 is a top perspective view thereof;

FIG. 8 is a bottom perspective view thereof;

FIG. 9 is a top perspective view of a second embodiment of the vehicle ceiling panel for lighting and air-conditioning shown with a lighting apparatus and an air-discharge opening; and,

FIG. 10 is a bottom perspective view of FIG. 9.

The shading (i.e., dark and light coloring) shown all over the surface of the present ceiling panel in each of the Figures indicates the shape of the three-dimensional surface of the present design.

1 Claim, 10 Drawing Sheets

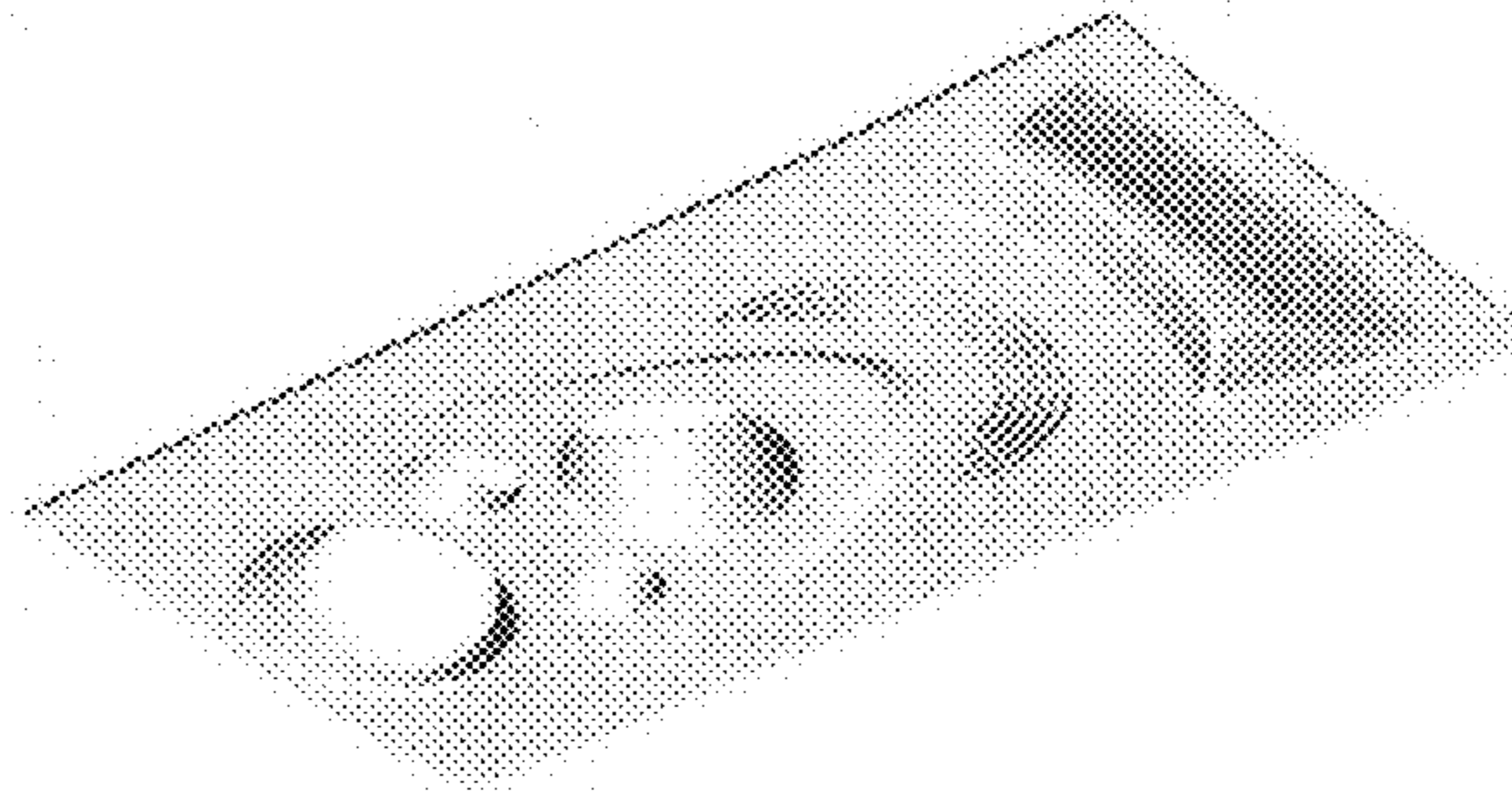
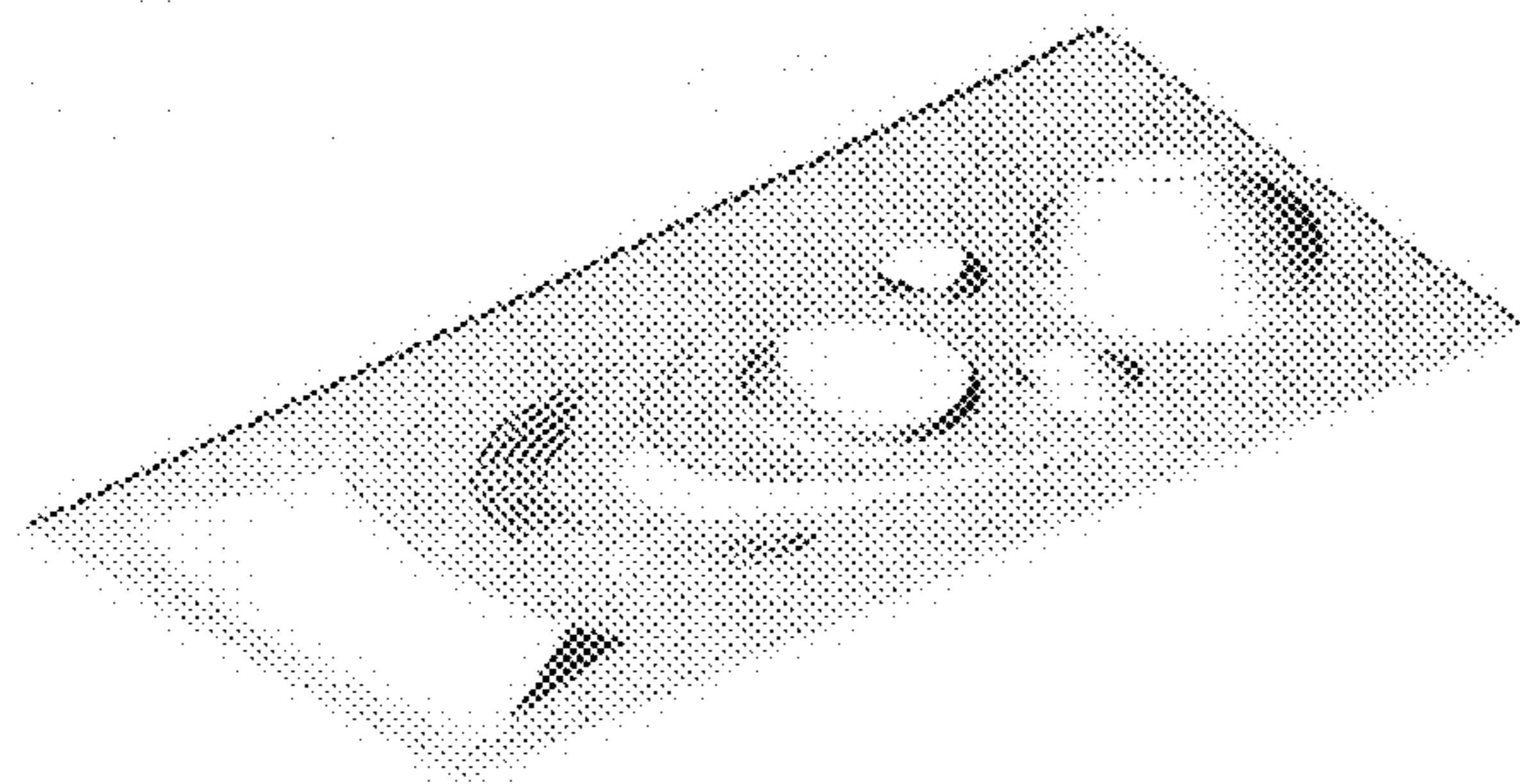


FIG. 1

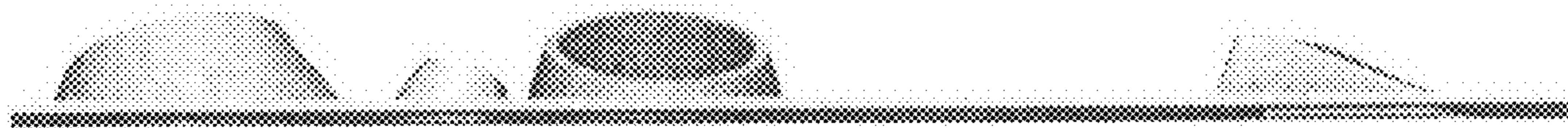


FIG. 2

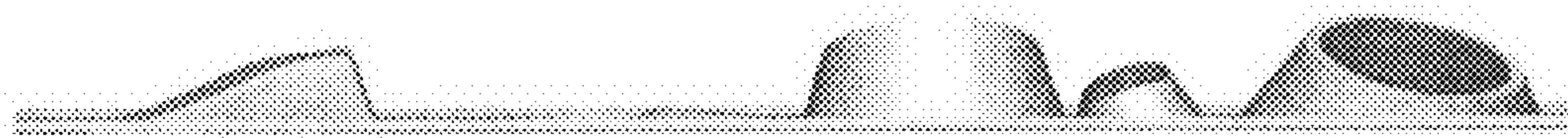


FIG. 3

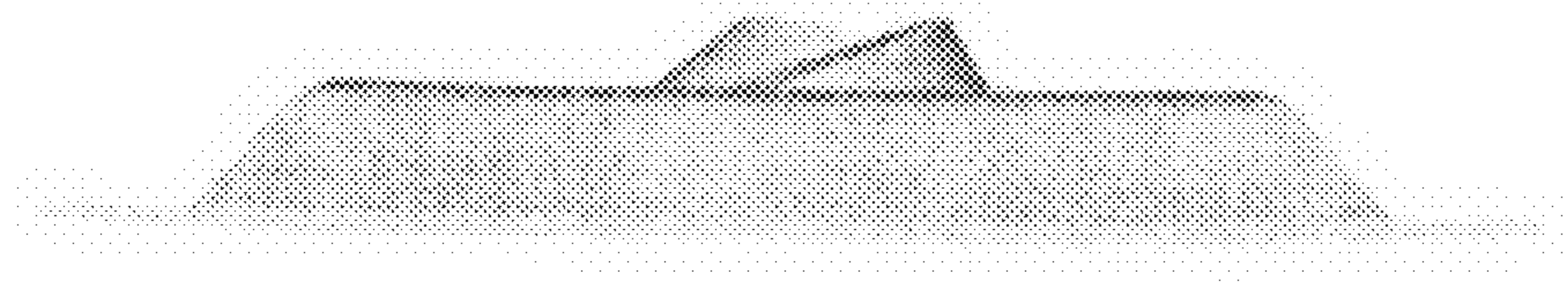


FIG. 4

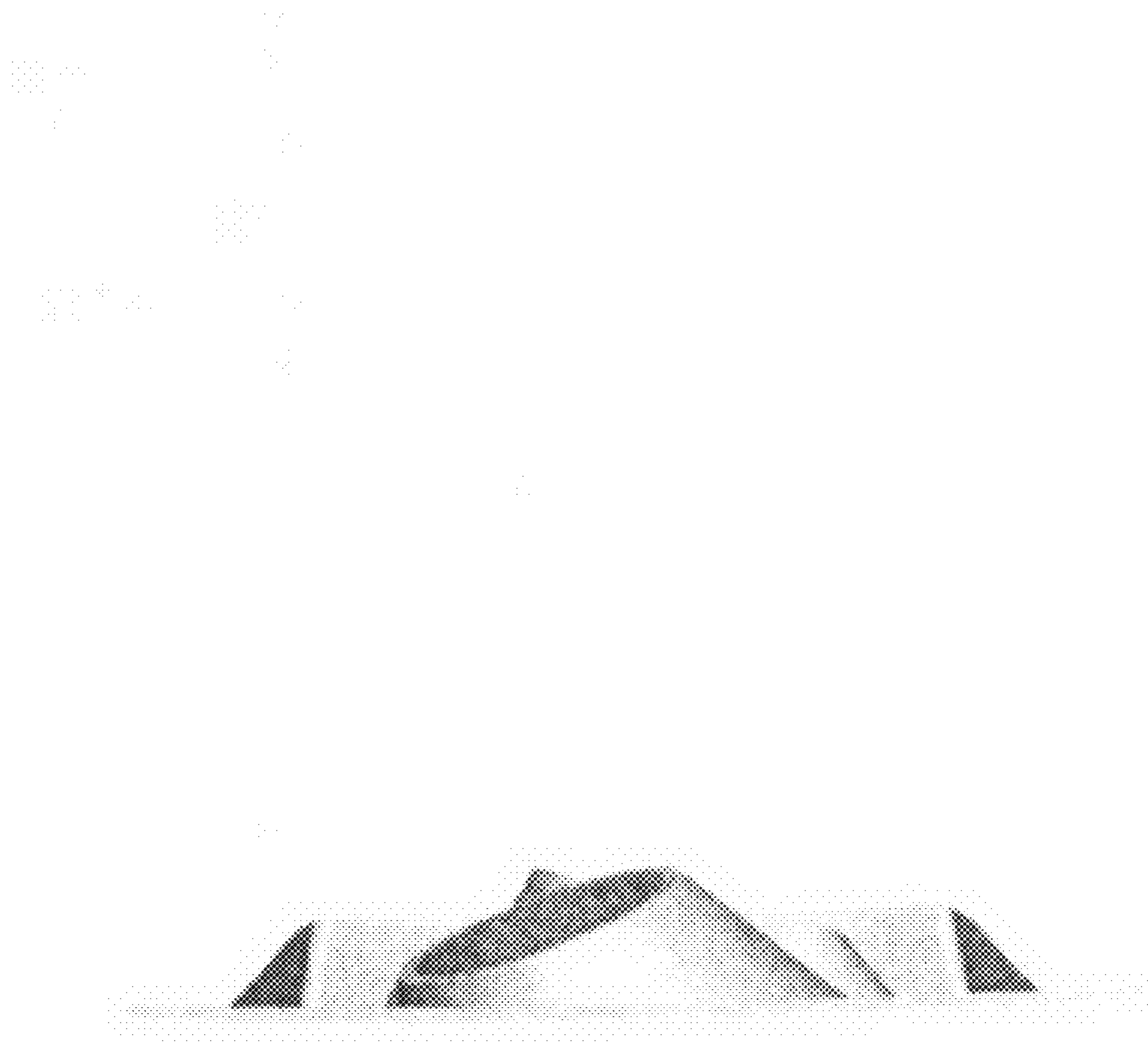


FIG. 5

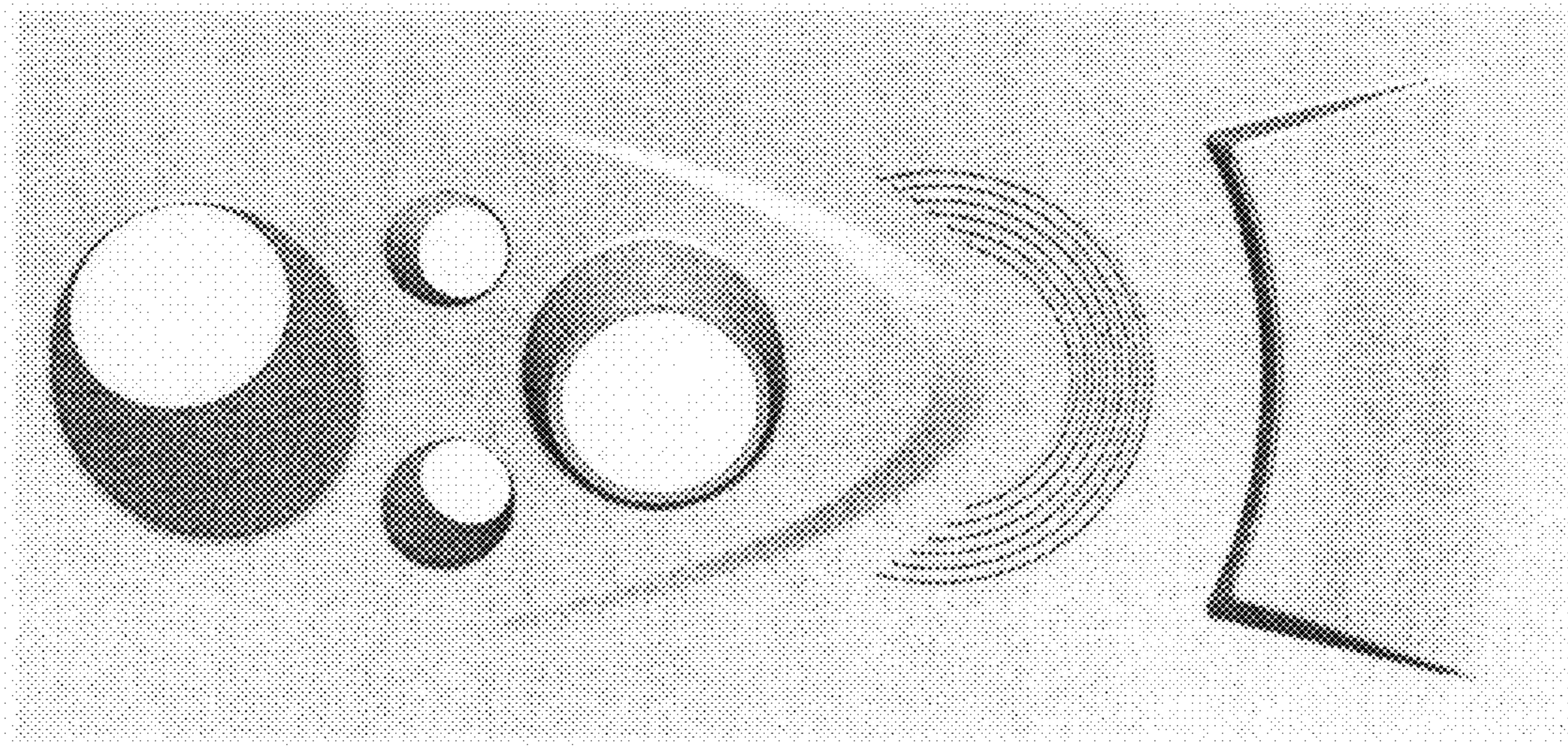


FIG. 6

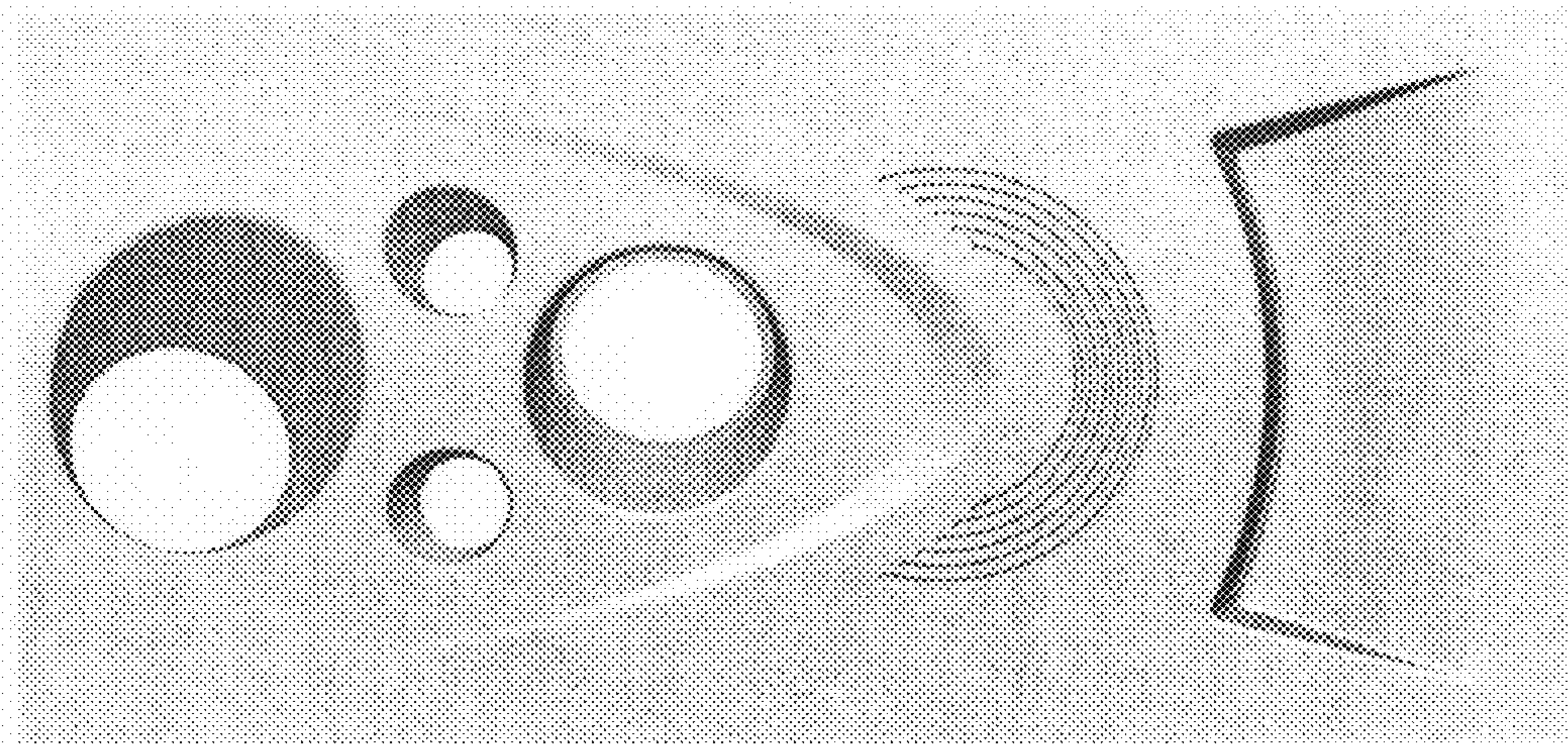


FIG.7

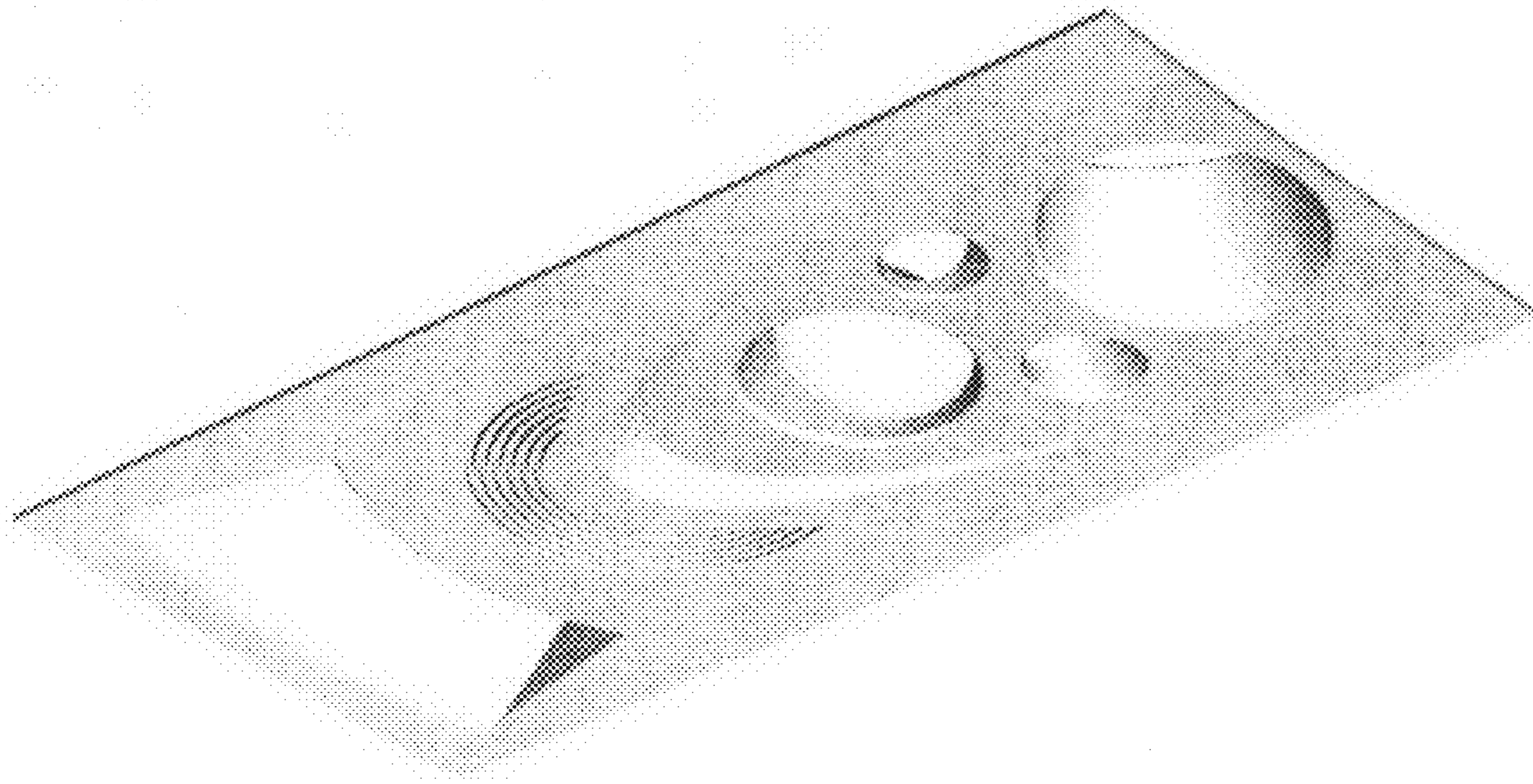


FIG. 8

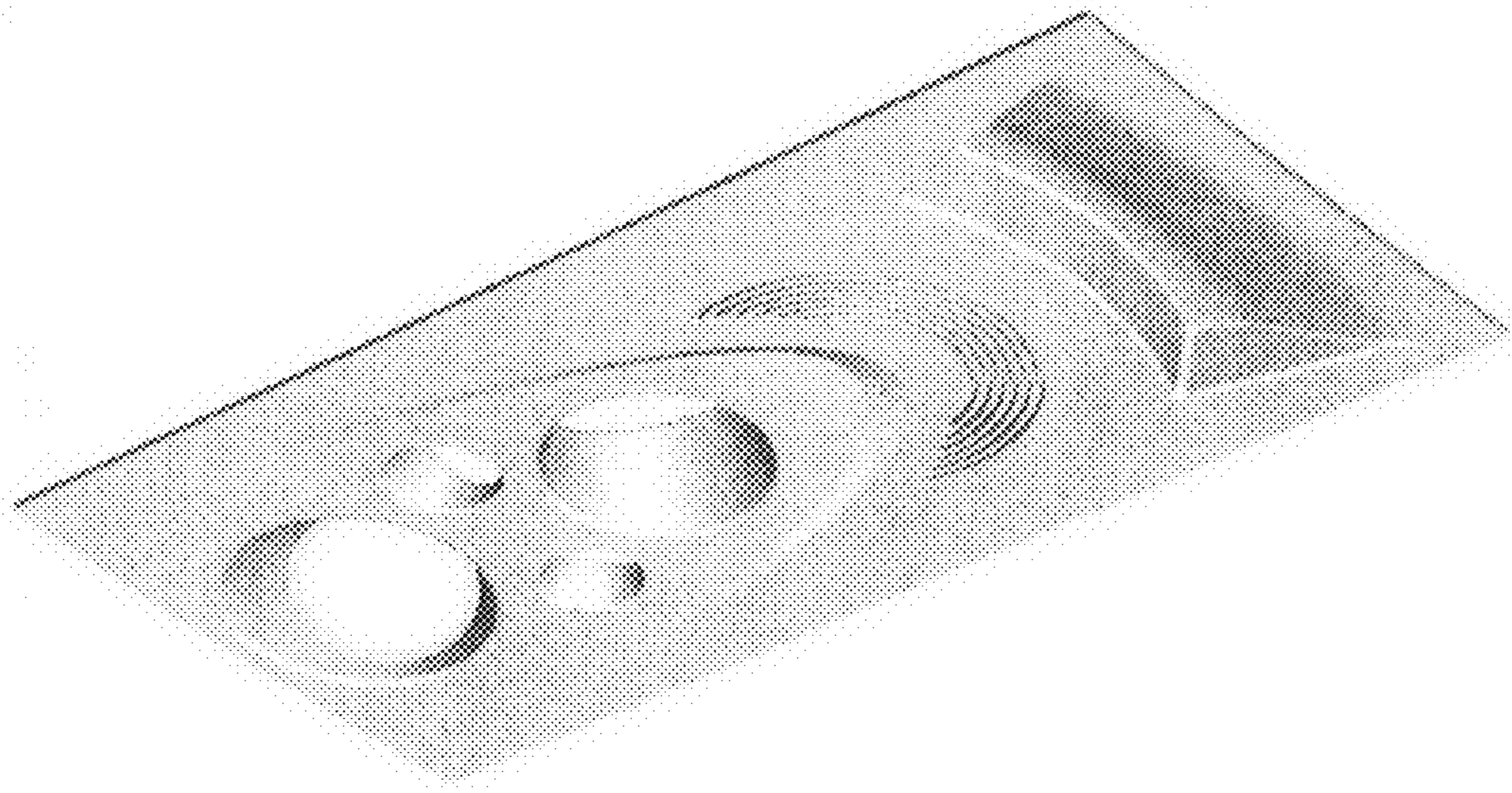


FIG. 9

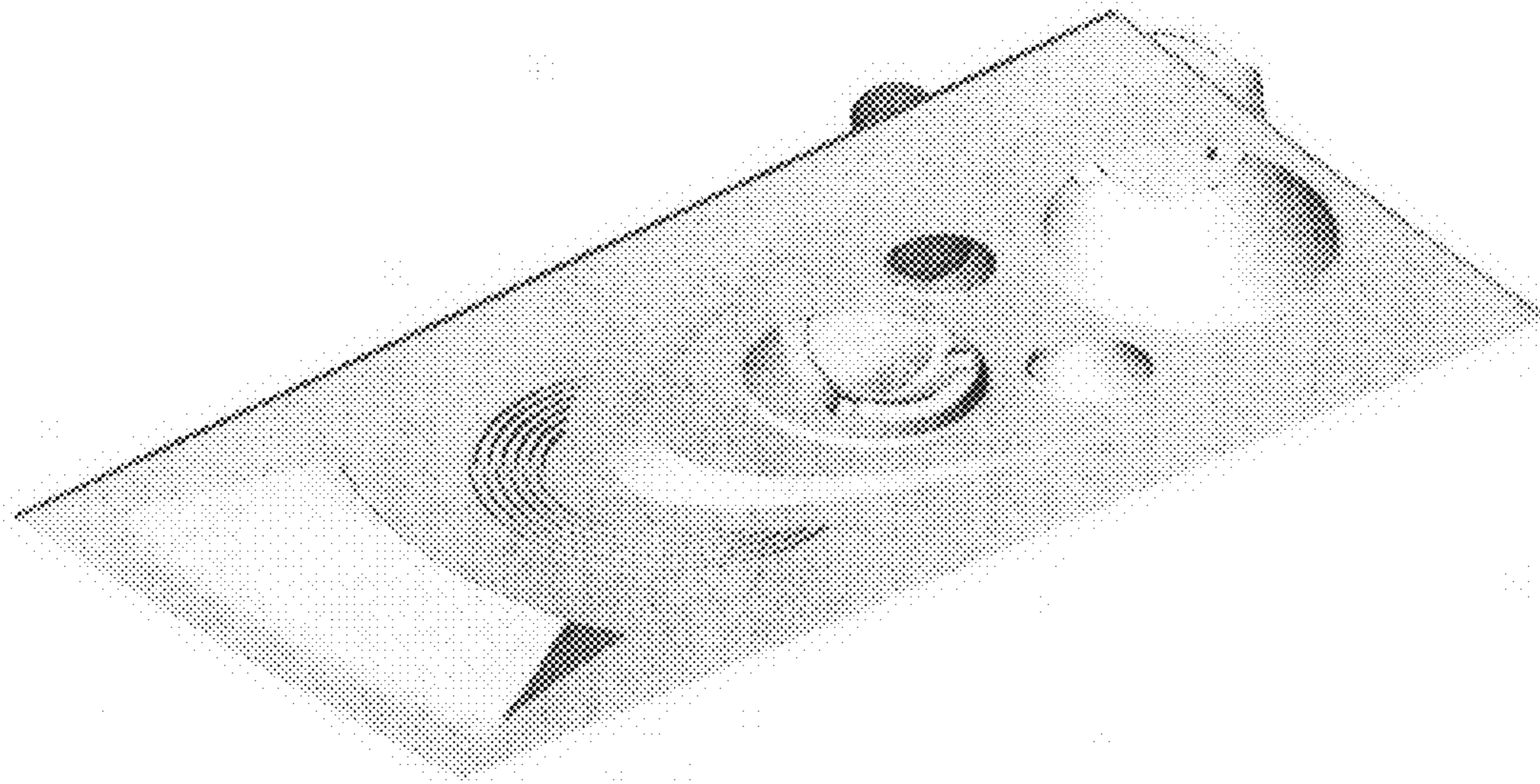


FIG. 10

