



US00D583746S

(12) **United States Design Patent**
Napieraj

(10) **Patent No.:** **US D583,746 S**

(45) **Date of Patent:** **** Dec. 30, 2008**

(54) **SPORTS UTILITY VEHICLE (“SUV”) TENT WITH SCREEN ROOM**

(76) **Inventor:** **Roman W. Napieraj**, 4 Nihan Drive, Unit #3, St. Catharines, ON (CA) L2N 1L1

(**) **Term:** **14 Years**

(21) **Appl. No.:** **29/317,420**

(22) **Filed:** **Apr. 29, 2008**

(30) **Foreign Application Priority Data**

Oct. 29, 2007 (CA) 122957

(51) **LOC (8) Cl.** **12-16**

(52) **U.S. Cl.** **D12/403**

(58) **Field of Classification Search** D12/401-404;
D21/834-838; 150/66; 135/88.01, 88.16,
135/144; 296/171, 159, 164-167, 175, 100.01,
296/26.02

See application file for complete search history.

(56) **References Cited**

U.S. PATENT DOCUMENTS

D291,074 S *	7/1987	Ravana	D12/403
D332,294 S *	1/1993	Cantwell	D21/834
D398,062 S *	9/1998	Lockhart	D25/16
D418,572 S *	1/2000	Ju	D21/834
D418,573 S *	1/2000	Ju	D21/834
D465,004 S *	10/2002	Funk et al.	D21/834
D503,143 S *	3/2005	Napieraj	D12/403
D516,155 S *	2/2006	Goodwin et al.	D21/834

D516,497 S *	3/2006	Napieraj	D12/403
7,108,005 B1 *	9/2006	Christenson et al.	135/88.13
7,404,590 B2 *	7/2008	Loranger	296/159
D574,315 S *	8/2008	Swails et al.	D12/401
2002/0140252 A1 *	10/2002	Neville	296/164

* cited by examiner

Primary Examiner—Robert M Spear

Assistant Examiner—Katrina A Kile

(74) *Attorney, Agent, or Firm*—Amin Hallihan, LLC

(57) **CLAIM**

The ornamental design for a sports utility vehicle (“SUV”) tent with screen room, as shown and described.

DESCRIPTION

FIG. 1 is a perspective view of a sports utility vehicle (“SUV”) tent with screen room illustrating the present design;

FIG. 2 is a front elevational view thereof;

FIG. 3 is a rear elevational view thereof;

FIG. 4 is a top plan view thereof;

FIG. 5 is a left side elevational view thereof;

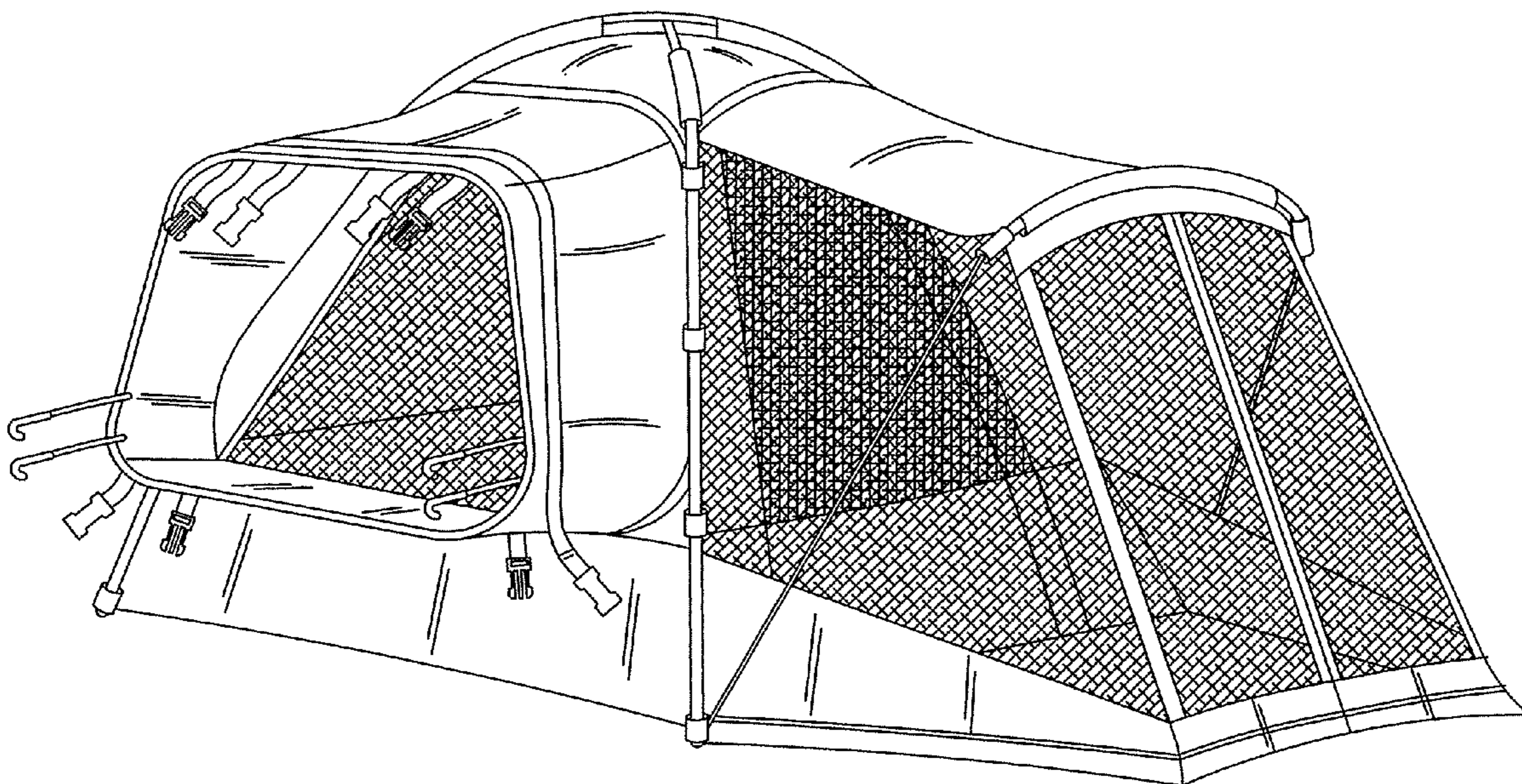
FIG. 6 is a right side elevational view thereof;

FIG. 7 is a perspective view of the SUV tent with screen room, showing the screen room separated from the SUV tent; and,

FIG. 8 is a perspective view of the SUV tent with screen room.

In the FIG. 8 drawing the broken lines depict a sports utility vehicle and form no part of the claimed design.

1 Claim, 8 Drawing Sheets



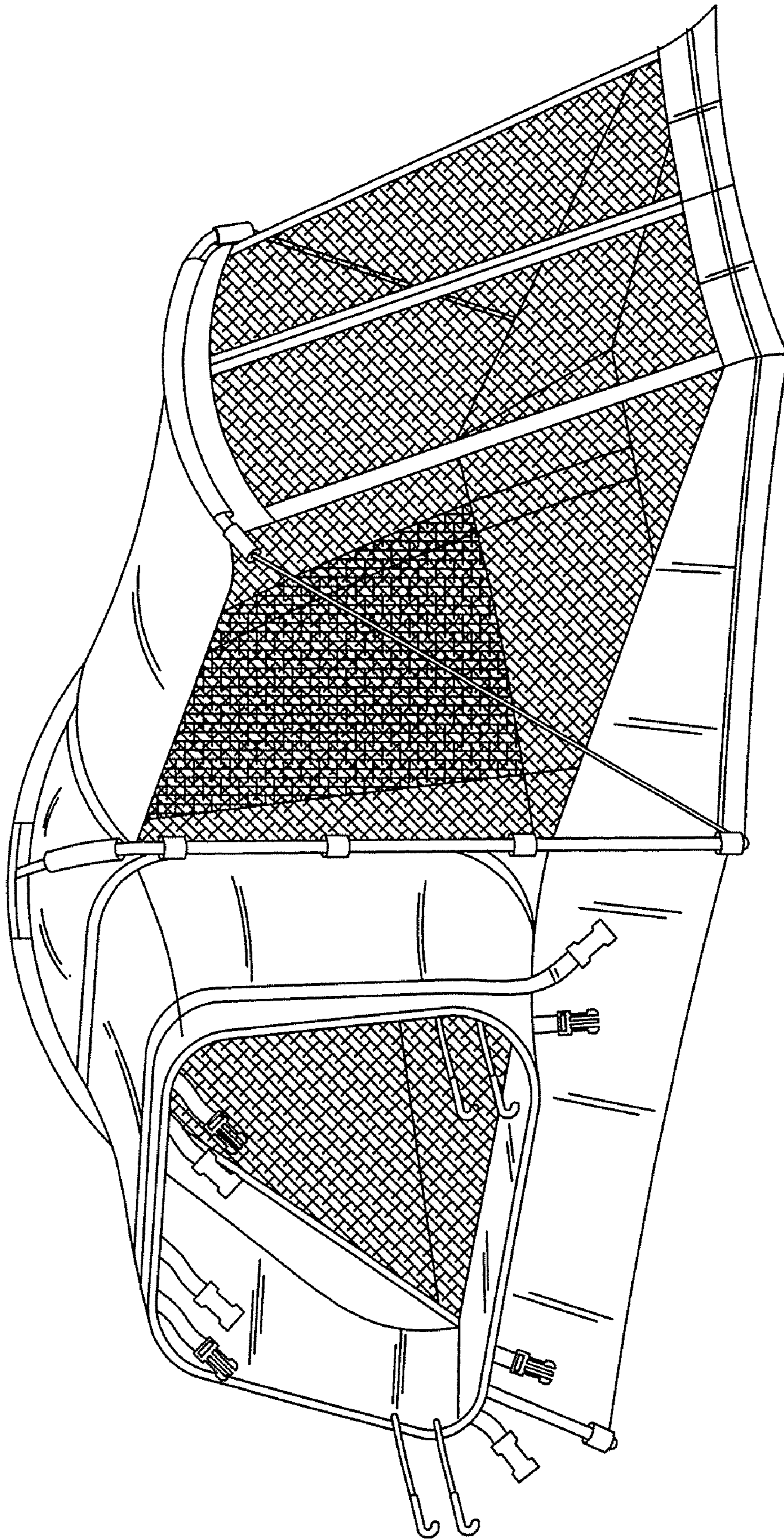


FIG. 1

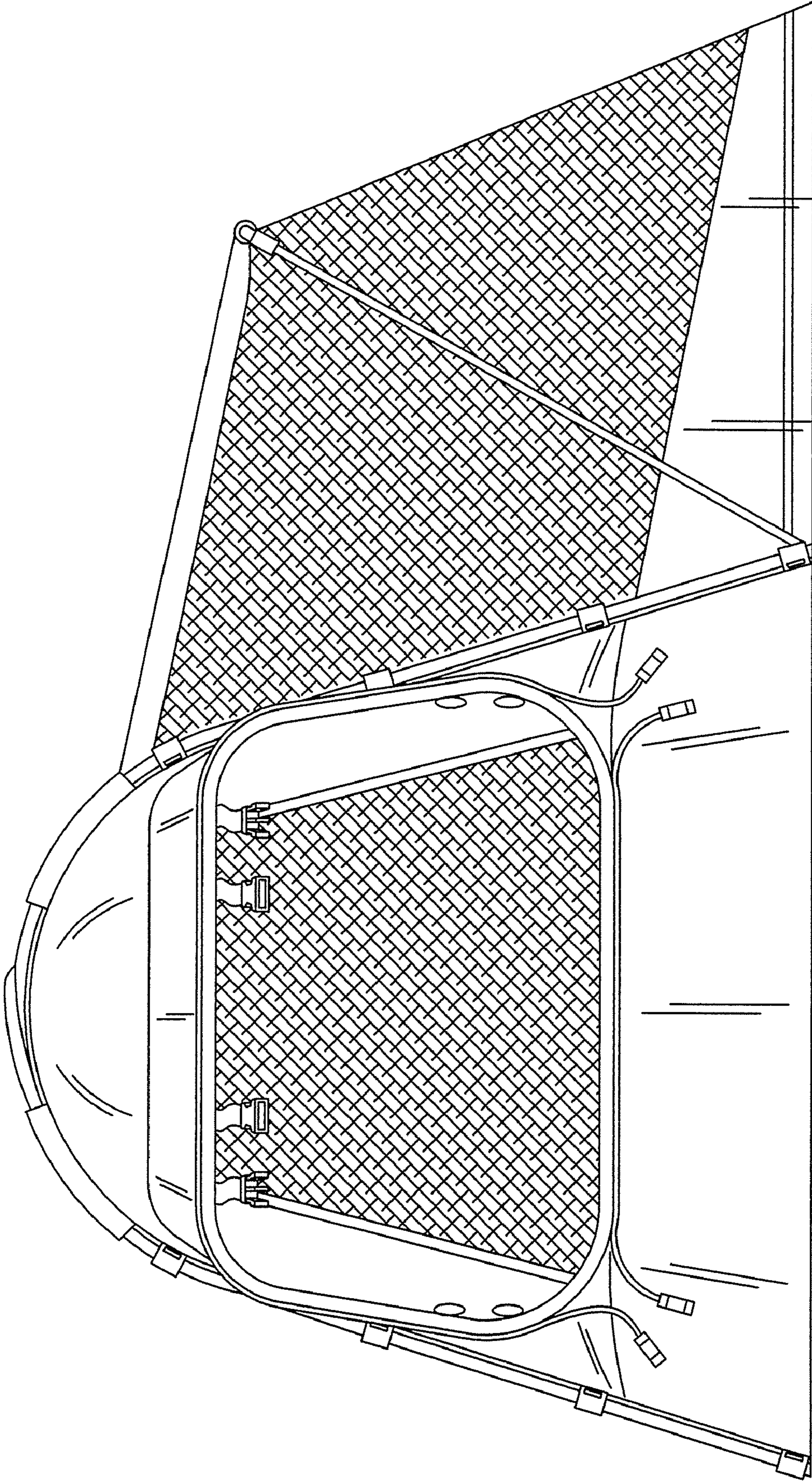


FIG. 2

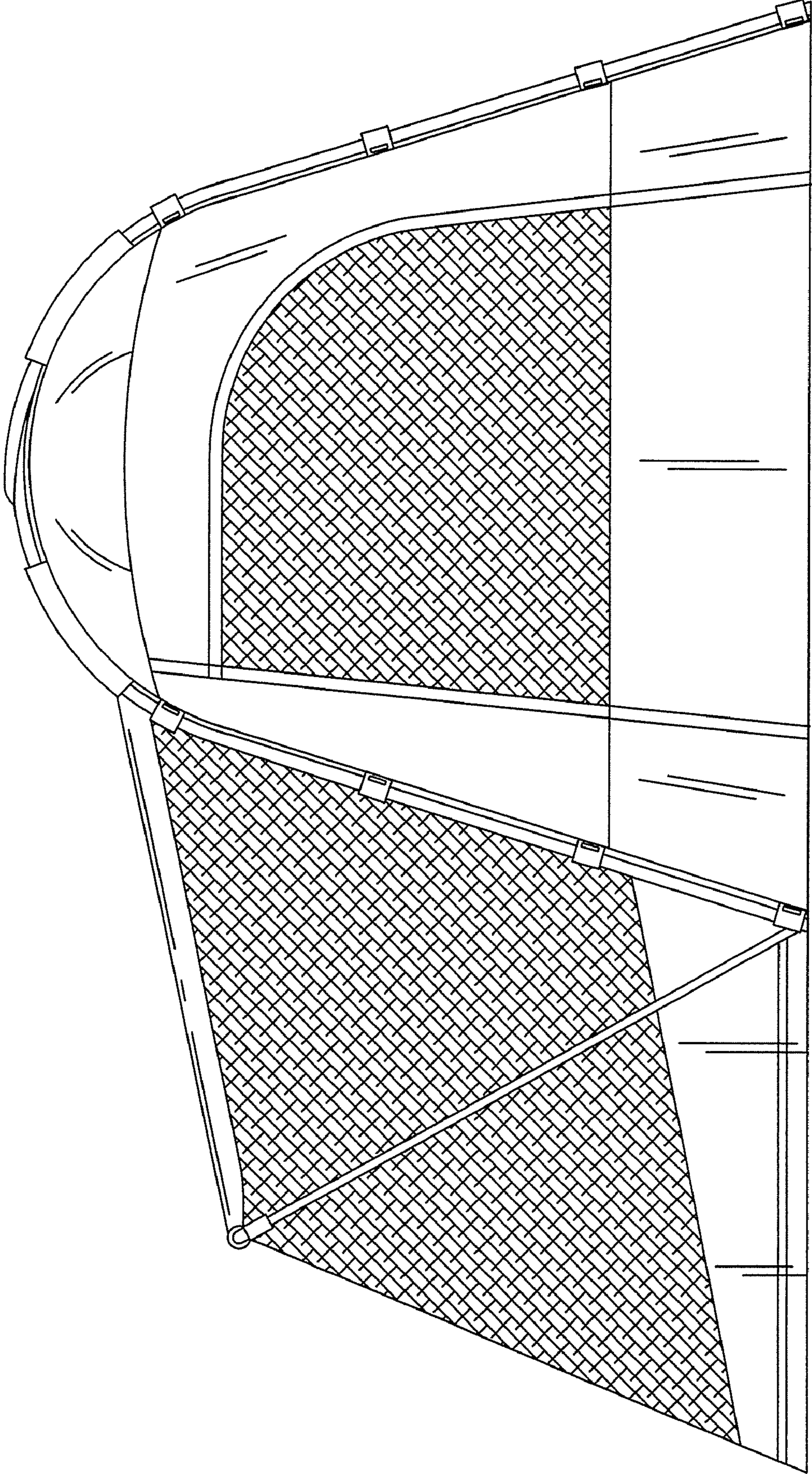


FIG. 3

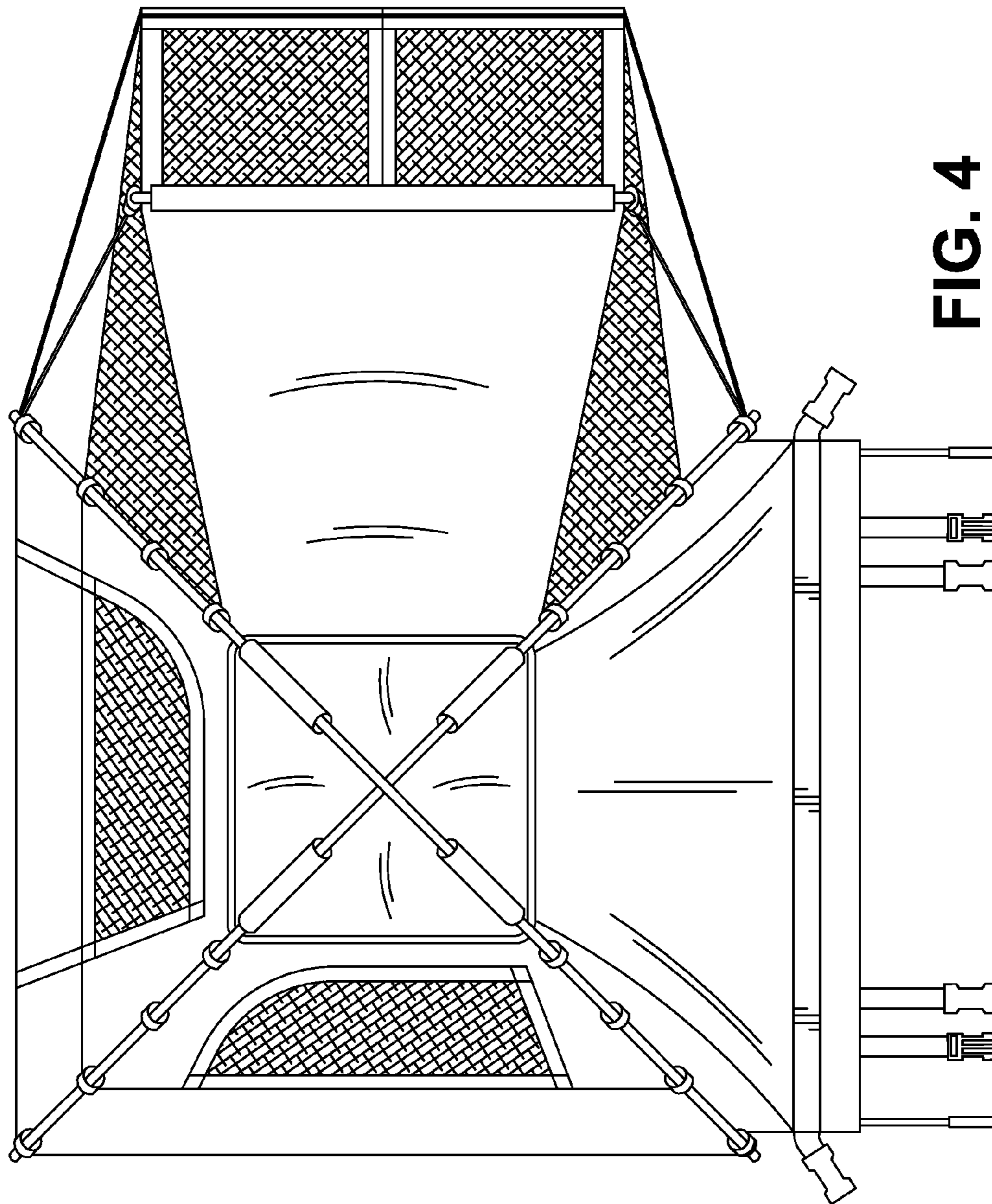


FIG. 4

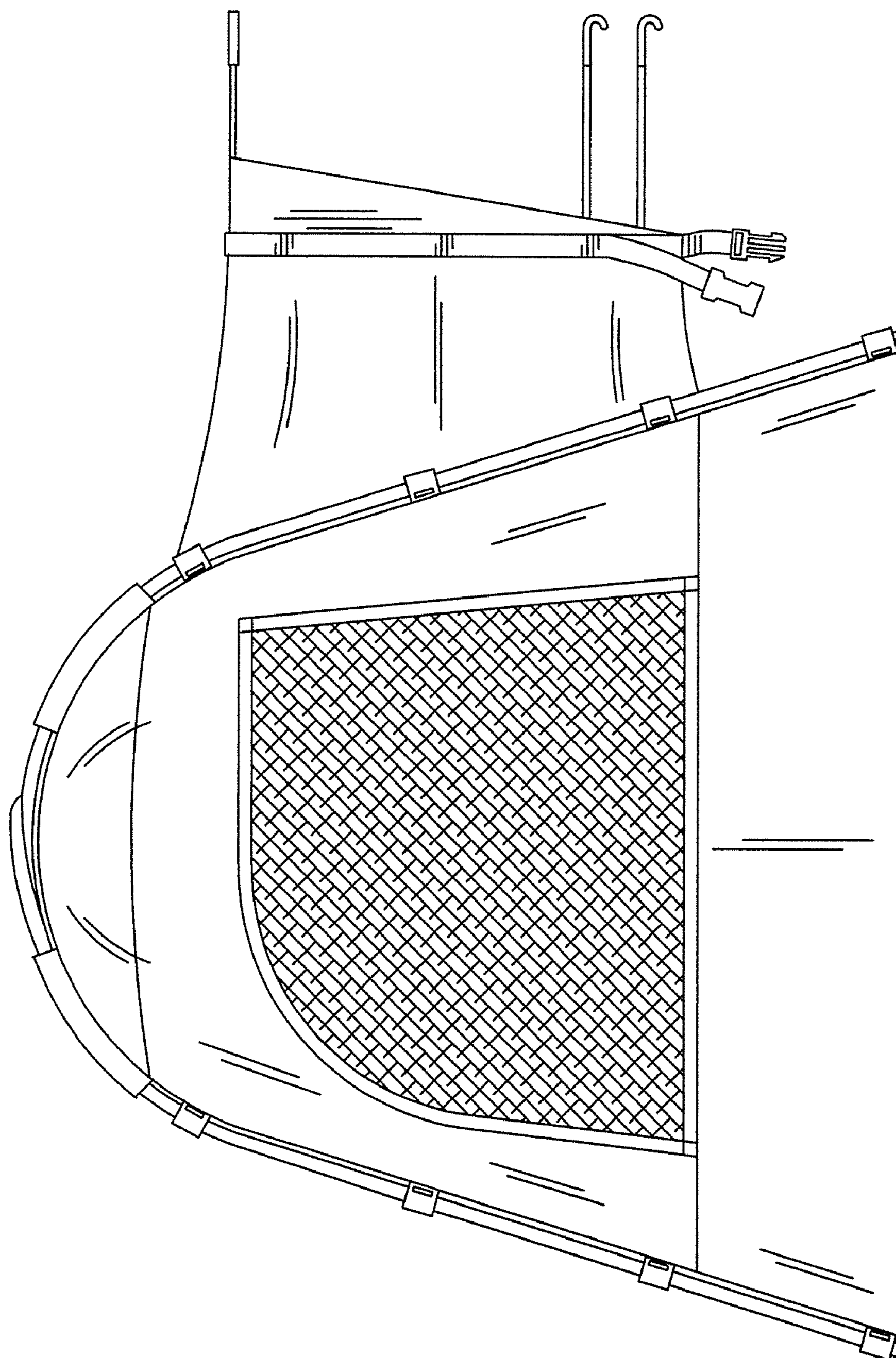


FIG. 5

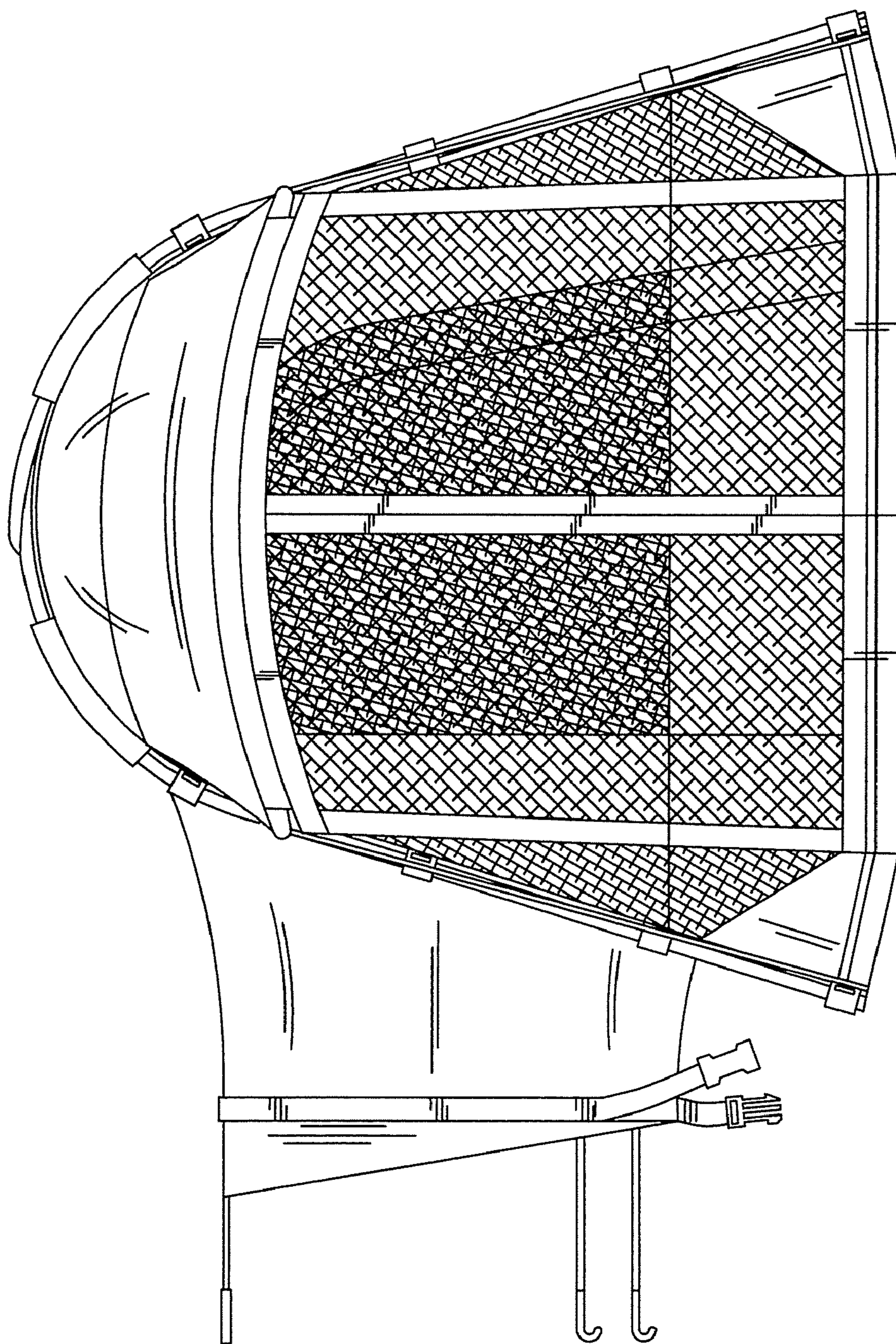


FIG. 6

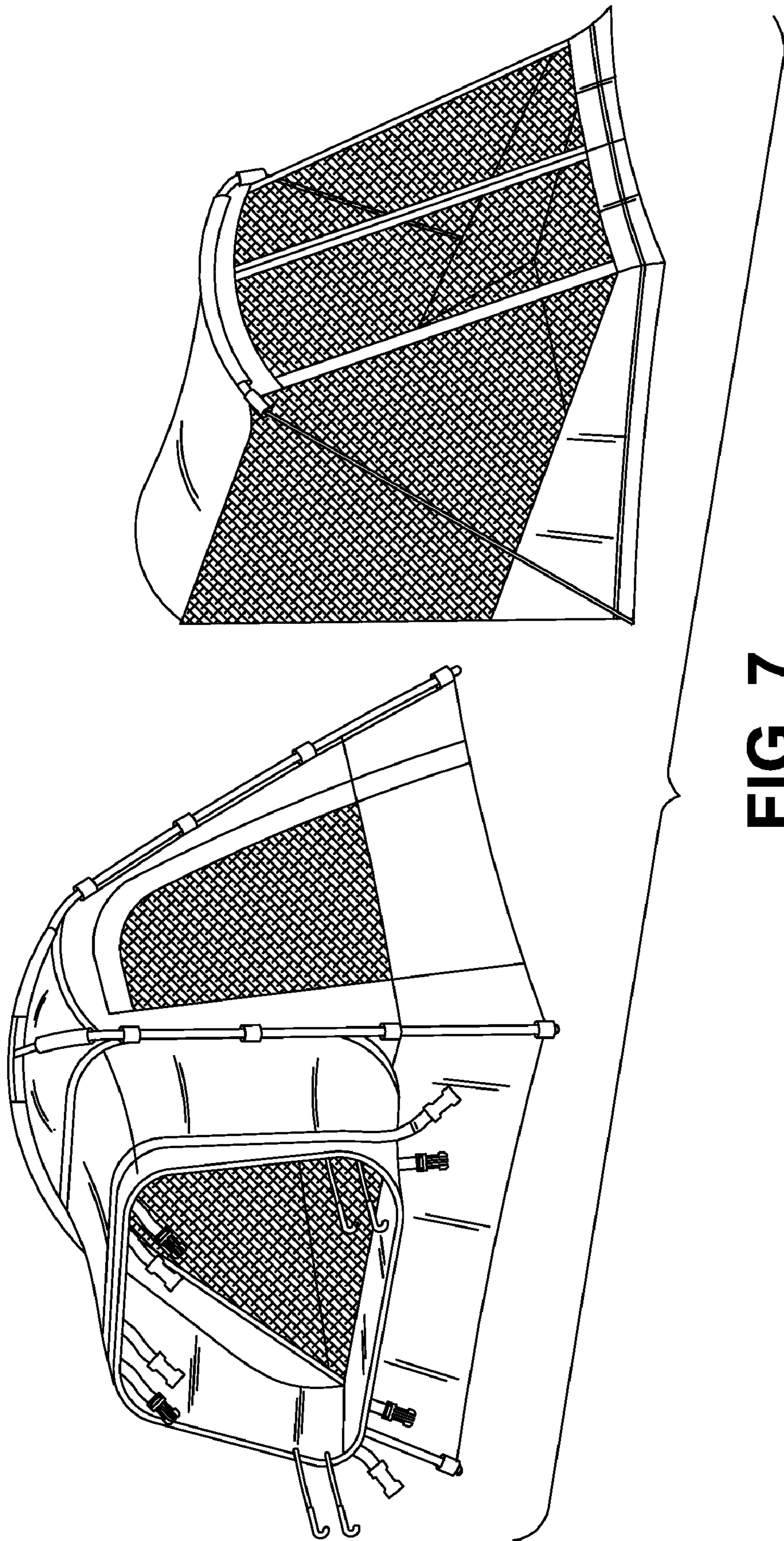


FIG. 7

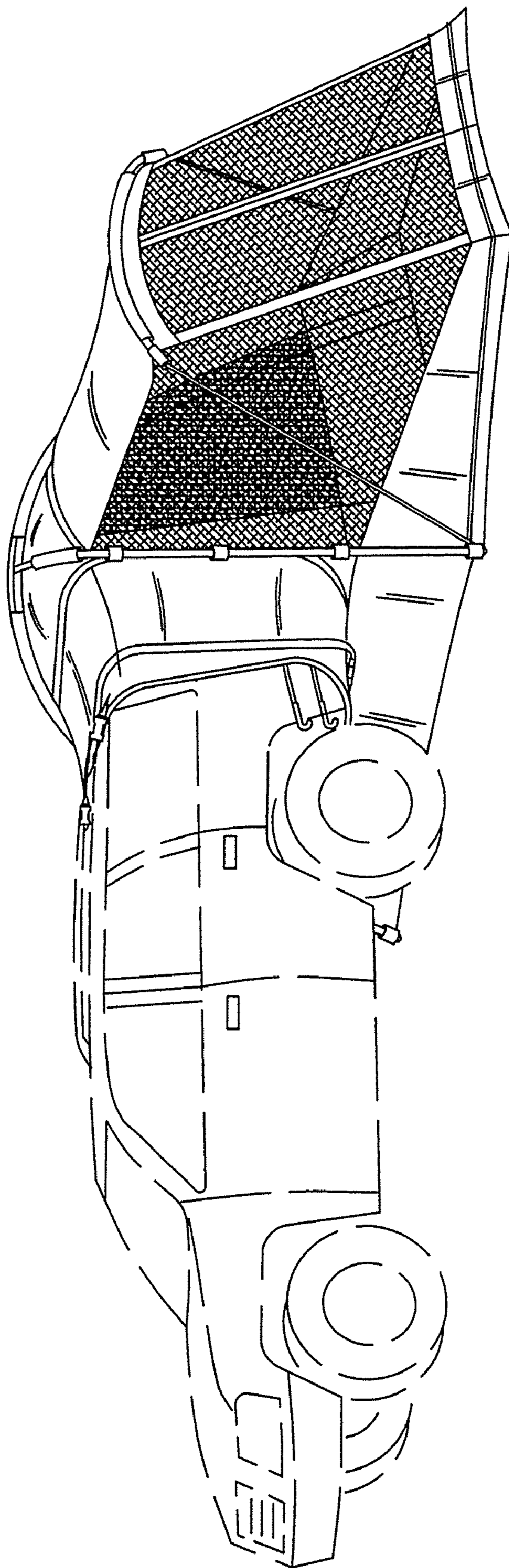


FIG. 8