



US00D583743S

(12) **United States Design Patent**
Swinson, III

(10) **Patent No.:** **US D583,743 S**
(45) **Date of Patent:** **** Dec. 30, 2008**

(54) **WHEEL CHOCK**

D326,254 S * 5/1992 Ziaylek et al. D12/217
5,137,411 A 8/1992 Eul et al.
5,263,553 A 11/1993 Duncan

(75) Inventor: **William E. Swinson, III**, Greeneville,
TN (US)

(73) Assignee: **Meco Corporation**, Greeneville, TN
(US)

(Continued)

(**) Term: **14 Years**

FOREIGN PATENT DOCUMENTS

(21) Appl. No.: **29/304,100**

EP 0 496 727 B1 8/1992

(22) Filed: **Feb. 25, 2008**

Related U.S. Application Data

(Continued)

(62) Division of application No. 29/235,034, filed on Jul.
27, 2005, now Pat. No. Des. 566,029.

Primary Examiner—Elizabeth A Albert
Assistant Examiner—Kelley A Donnelly
(74) *Attorney, Agent, or Firm*—McGuireWoods LLP

(51) **LOC (8) Cl.** **12-06**

(52) **U.S. Cl.** **D12/217**

(58) **Field of Classification Search** D12/217,
D12/114, 120, 203; D6/552; D8/349, 350,
D8/353–354, 373, 380, 402; 410/30, 49;
248/221.12, 222.41, 222.51; 280/293, 507
See application file for complete search history.

(57) **CLAIM**

I claim the ornamental design for a wheel chock, as shown
and described.

(56) **References Cited**

DESCRIPTION

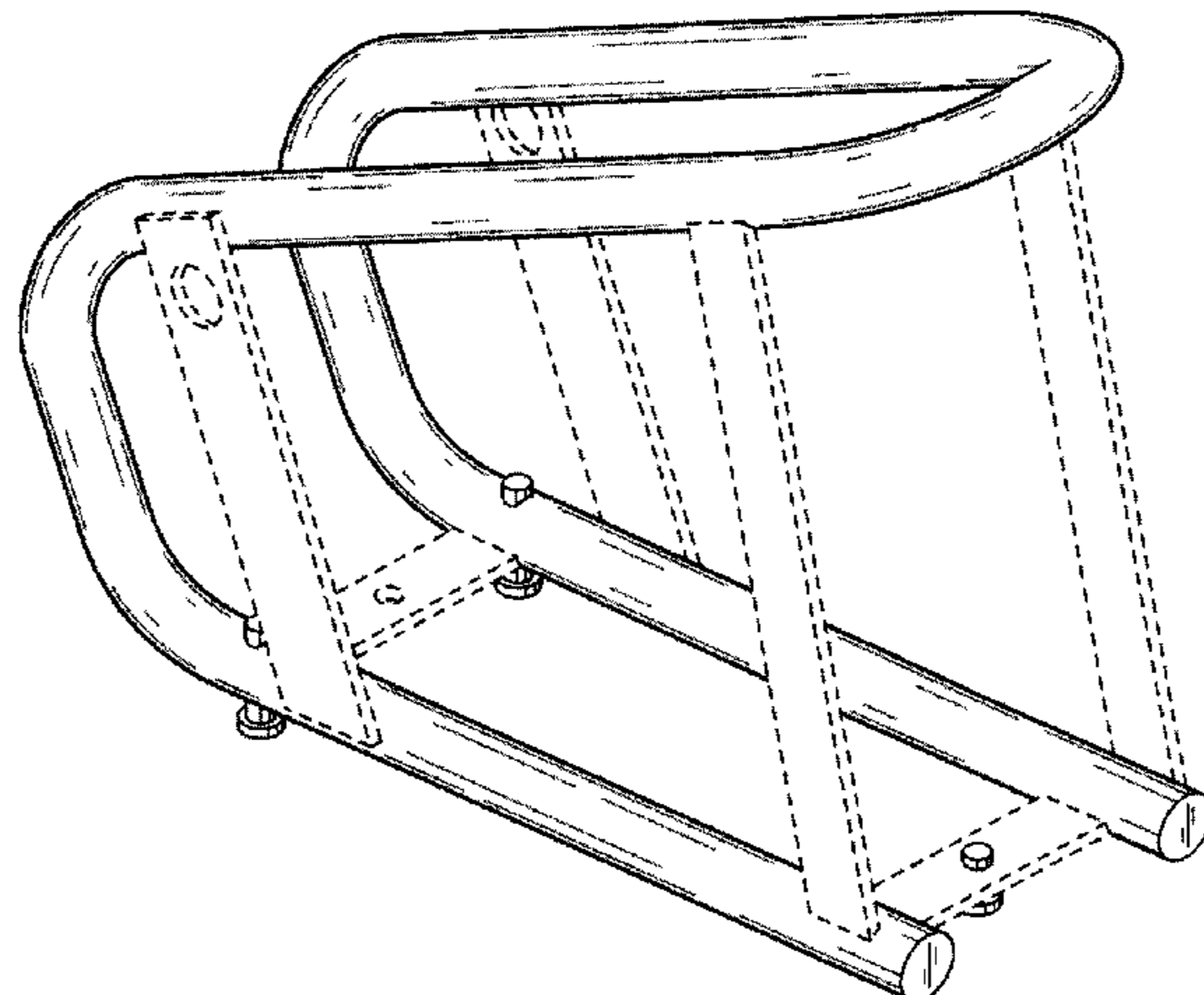
U.S. PATENT DOCUMENTS

- 2,816,627 A 12/1957 Wilson et al.
- 3,065,827 A 11/1962 Timbers
- D201,143 S * 5/1965 Vigilante D12/217
- D219,236 S 11/1970 Hudak
- 3,785,517 A 1/1974 Brajkovich
- D236,612 S * 9/1975 Wetzel D12/217
- 3,907,072 A 9/1975 Shafer
- 4,031,726 A 6/1977 De Jager
- 4,502,816 A 3/1985 Creter et al.
- 4,700,873 A 10/1987 Young
- D298,823 S 12/1988 Zutler
- 4,823,997 A 4/1989 Krieger
- 4,833,442 A 5/1989 Von Heck
- 4,852,779 A 8/1989 Berg
- 4,921,152 A 5/1990 Kemming
- 5,025,932 A 6/1991 Jay
- 5,092,504 A 3/1992 Hannes et al.

FIG. 1 is a perspective view of the wheel chock;
FIG. 2 is a right side view of the design embodiment shown in
FIG. 1;
FIG. 3 is a top side view of the design embodiment shown in
FIG. 1;
FIG. 4 is a bottom side view of the design embodiment shown
in FIG. 1; and,
FIG. 5 is a front side view of the design embodiment shown in
FIG. 1.

The broken lines are for environmental purposes only and
form no part of the claimed design.

1 Claim, 2 Drawing Sheets



US D583,743 S

Page 2

U.S. PATENT DOCUMENTS

5,427,286 A 6/1995 Hagerty
D365,078 S 12/1995 Ziaylek
5,476,200 A 12/1995 Wong
5,549,231 A 8/1996 Fletcher et al.
5,560,526 A 10/1996 Jantzen et al.
5,611,472 A 3/1997 Miller
D386,140 S 11/1997 Pingel et al.
D386,141 S 11/1997 Pingel et al.
5,735,410 A 4/1998 Kallstrom
D397,983 S 9/1998 Pingel et al.
D397,984 S 9/1998 Pingel et al.
D397,985 S 9/1998 Pingel et al.
5,803,208 A 9/1998 Blach
5,820,002 A 10/1998 Allen
5,857,602 A 1/1999 Depot
6,095,731 A 8/2000 Minakami et al.
6,116,062 A 9/2000 Markegard et al.
6,179,181 B1 1/2001 Johnson et al.
6,186,727 B1 2/2001 Hamilton
6,241,104 B1 6/2001 Kraus
6,340,106 B1 1/2002 Dutton
6,367,673 B1 4/2002 Smith et al.
RE38,162 E 7/2003 Brown
6,601,712 B2 8/2003 Dean et al.

6,752,303 B2 6/2004 McLemore et al.
6,755,599 B1 6/2004 Plyler
D493,408 S 7/2004 Chrisco et al.
D497,873 S 11/2004 Graber
D501,818 S 2/2005 Bateman
D502,138 S * 2/2005 Bateman D12/217
6,863,481 B2 * 3/2005 Pingel 410/30
D539,805 S * 4/2007 Li et al. D14/447
D547,712 S * 7/2007 Hartmann D12/217
D555,545 S * 11/2007 Peek D12/114
D566,029 S * 4/2008 Swinson, III D12/217
2003/0071097 A1 4/2003 Dean
2003/0159892 A1 8/2003 Jette
2004/0004089 A1 1/2004 Crouch
2004/0020252 A1 2/2004 Howitt
2004/0084491 A1 5/2004 Gibson

FOREIGN PATENT DOCUMENTS

GB 0 897 582 A 5/1962
GB 1 215 759 A 12/1970
GB 2 070 162 A 9/1981
GB 2 112 725 A 7/1983
GB 2 274 691 A 8/1994

* cited by examiner

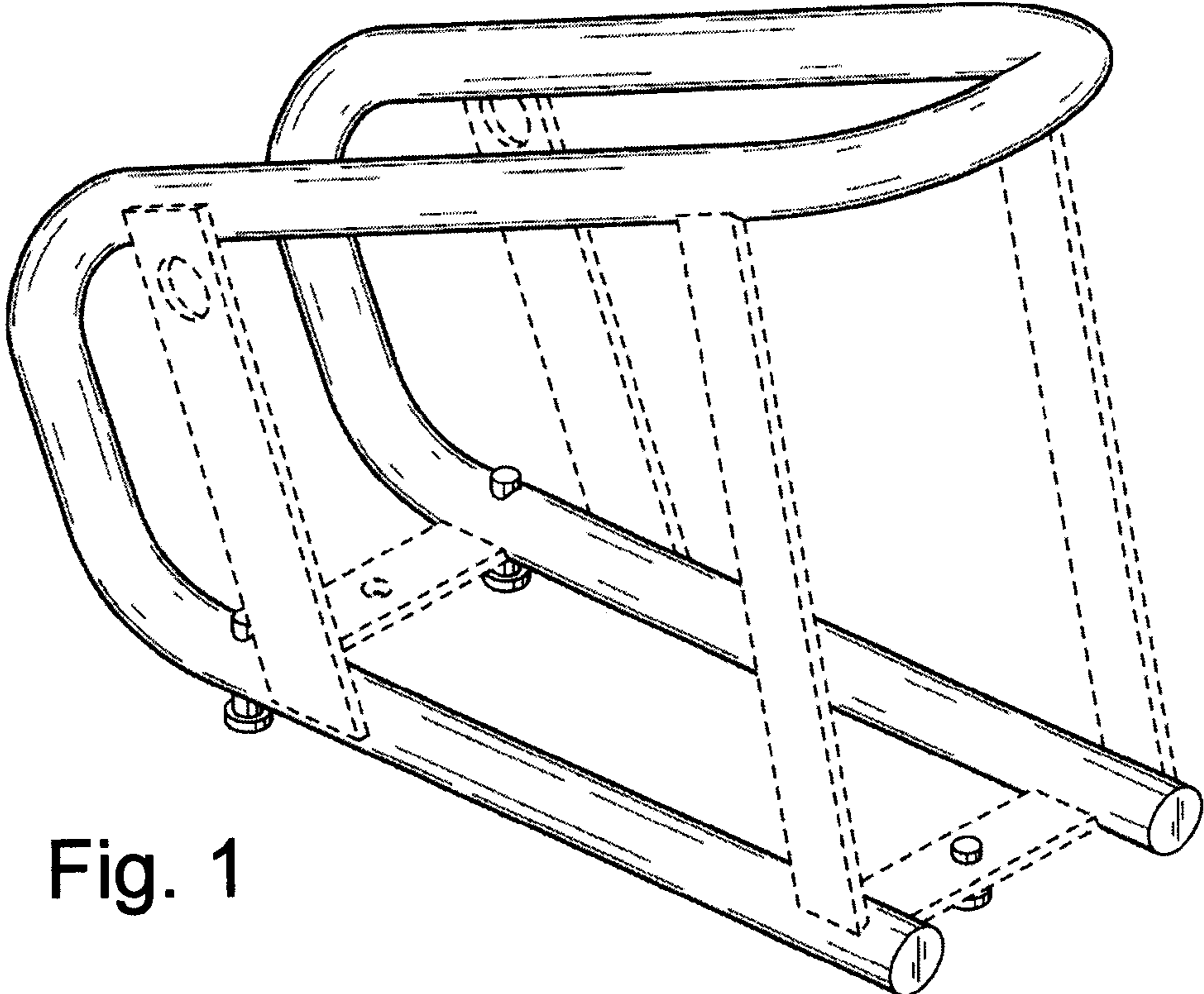


Fig. 1

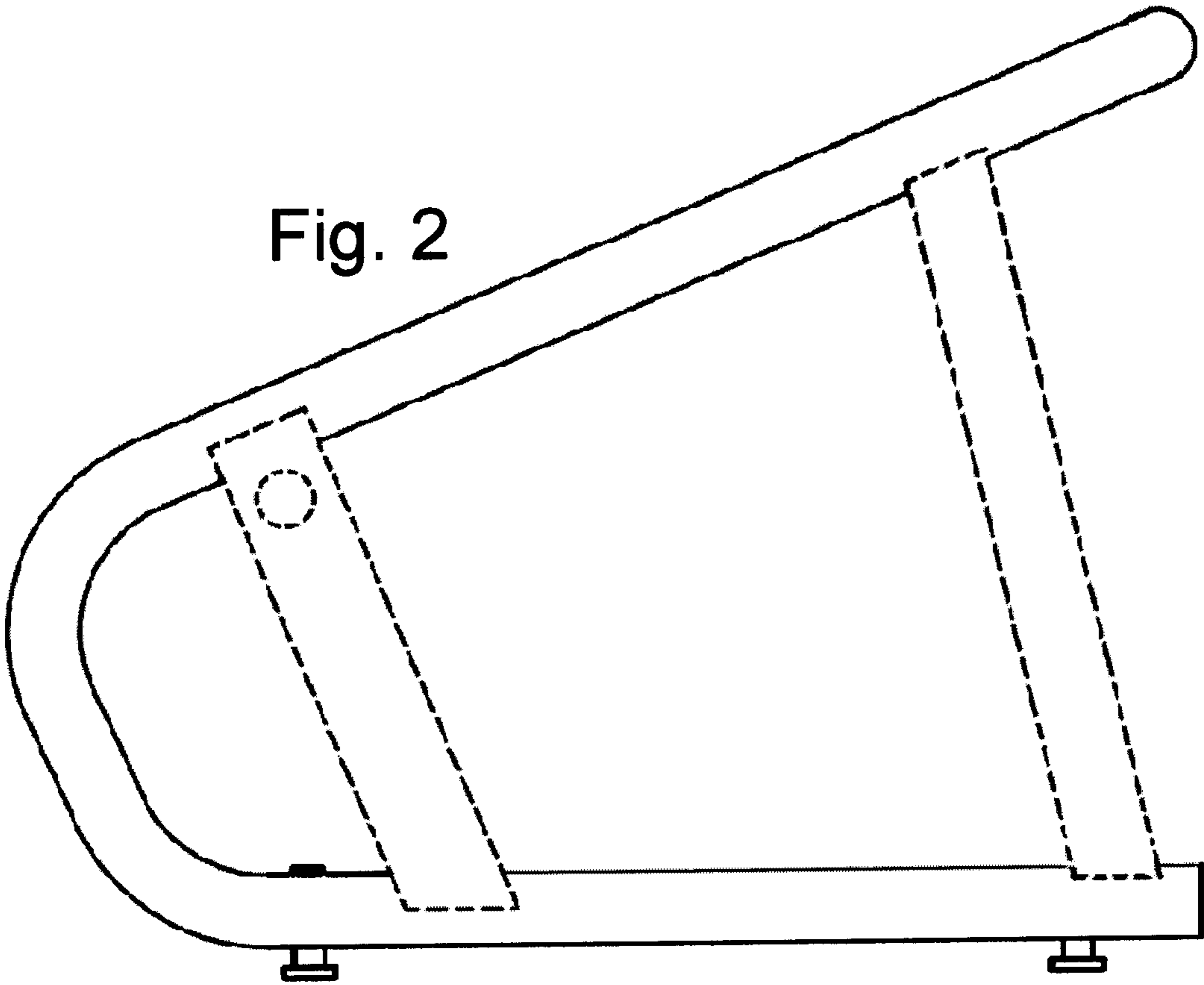


Fig. 2

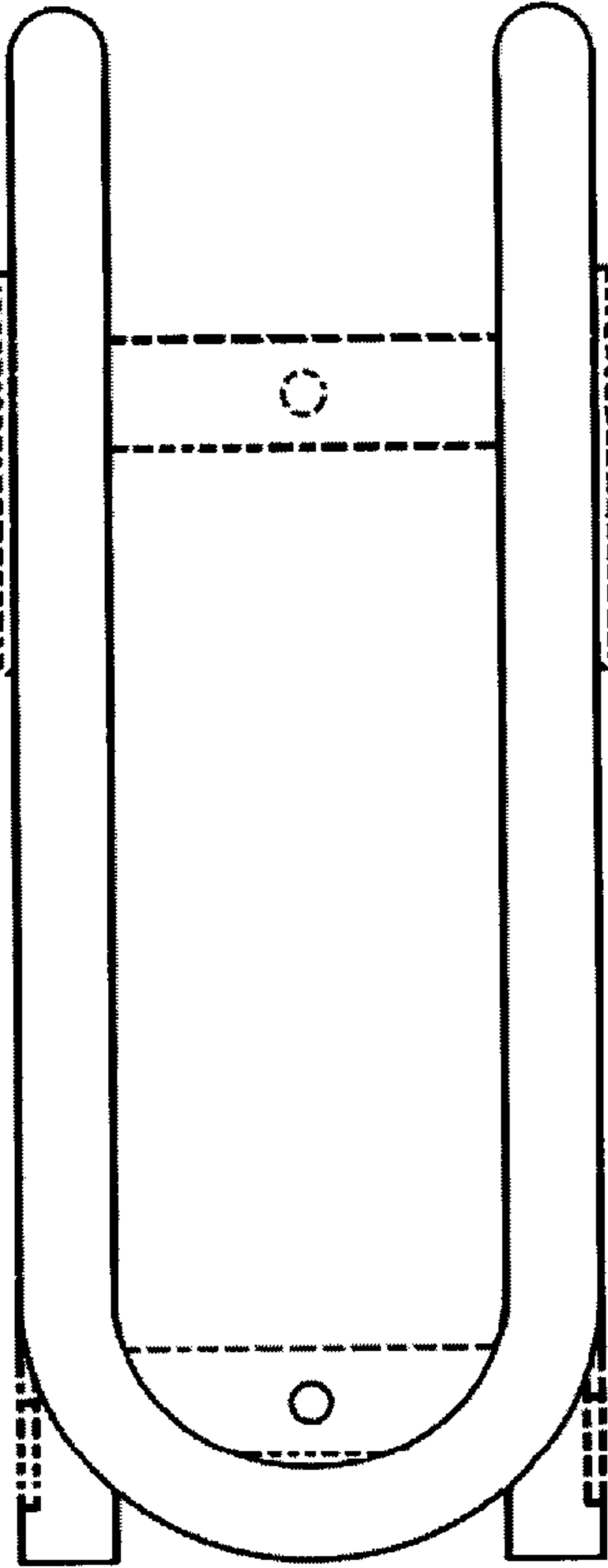


Fig. 3

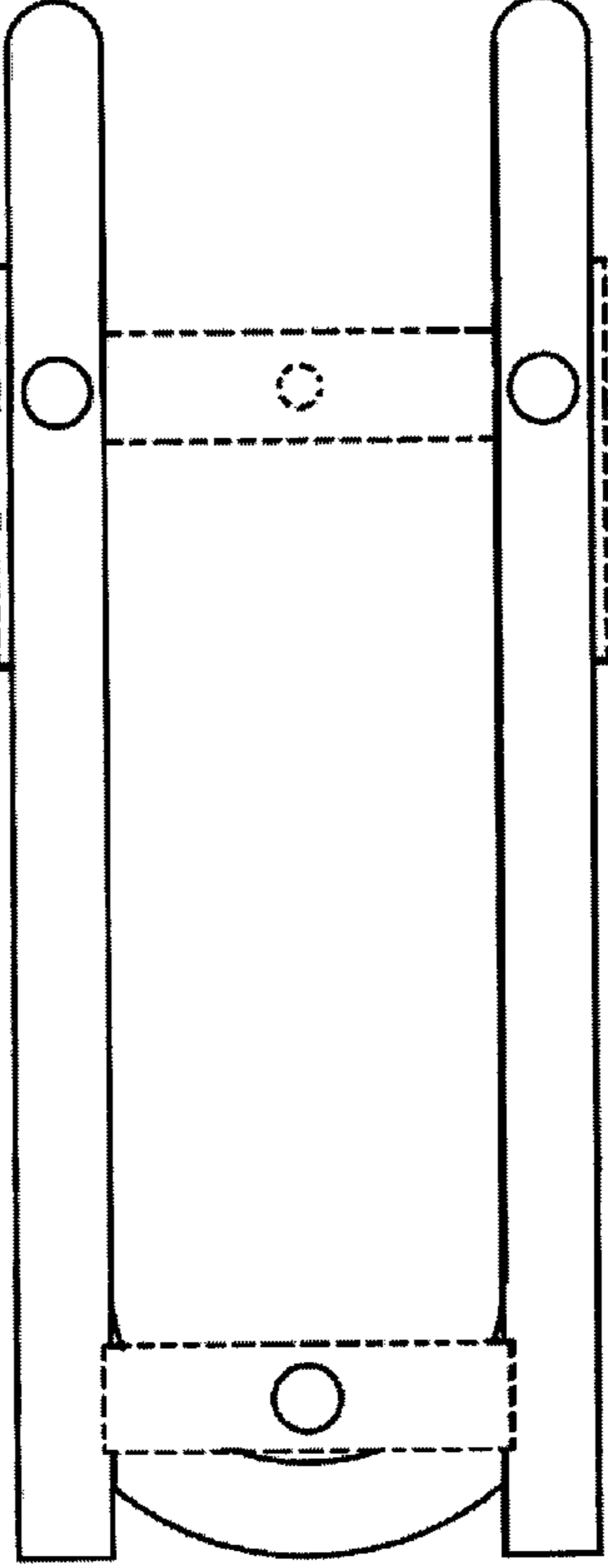


Fig. 4

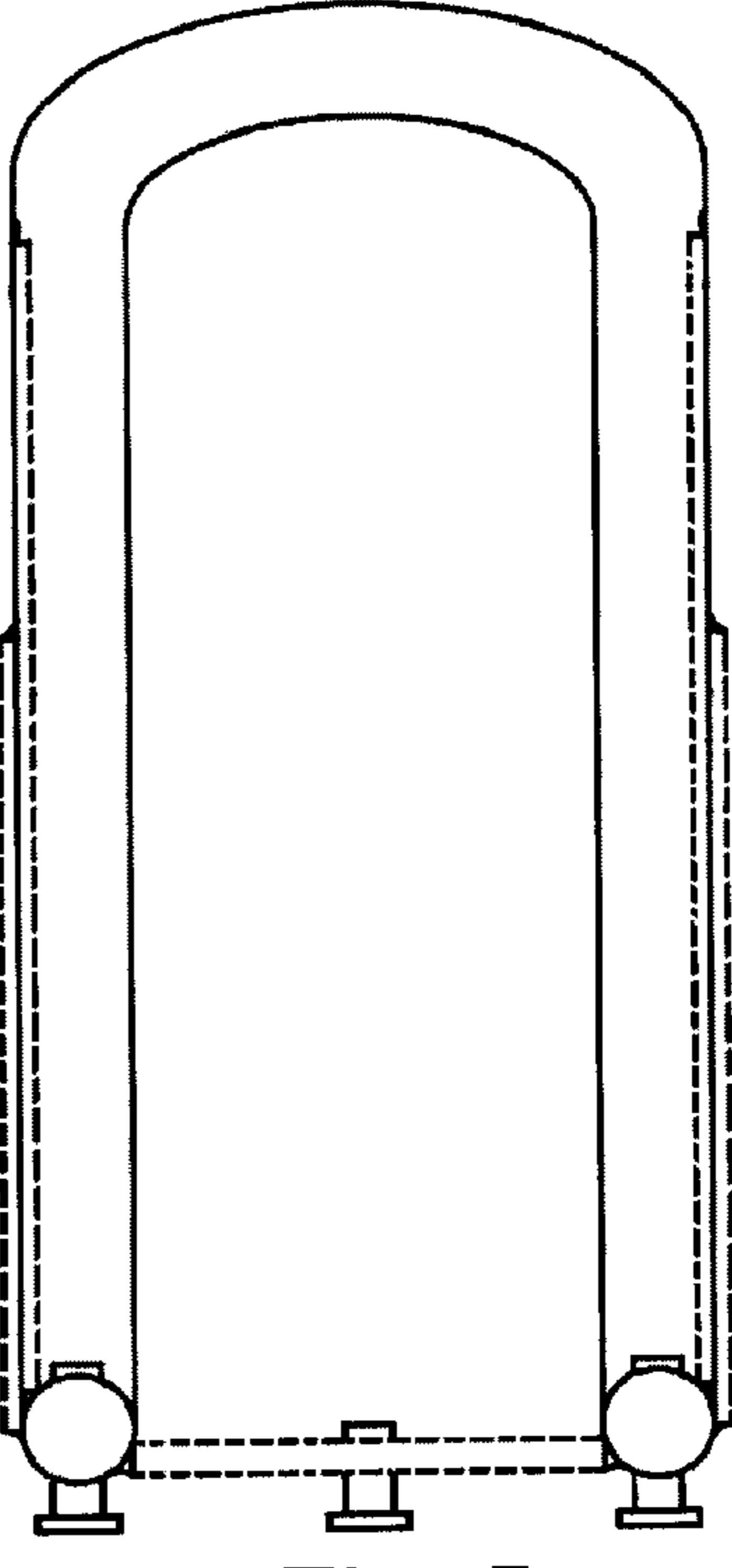


Fig. 5