



US00D583742S

(12) **United States Design Patent**
Juergens et al.

(10) **Patent No.:** **US D583,742 S**
(45) **Date of Patent:** **** Dec. 30, 2008**

(54) **WHEEL OR WHEEL COVER**

(75) Inventors: **Dirk Juergens**, Munich (DE); **Rainer Mueller**, Munich (DE); **Robert Powell**, Diessen (DE)

(73) Assignee: **Bayerische Motoren Werke Aktiengesellschaft**, Munich (DE)

(**) Term: **14 Years**

(21) Appl. No.: **29/309,063**

(22) Filed: **Jun. 17, 2008**

(30) **Foreign Application Priority Data**

Dec. 18, 2007 (DE) 407 06 335

(51) **LOC (8) Cl.** **12-16**

(52) **U.S. Cl.** **D12/211**

(58) **Field of Classification Search** D12/204–213;
301/37.101, 64.101, 65, 64.201
See application file for complete search history.

(56) **References Cited**

U.S. PATENT DOCUMENTS

D421,953 S * 3/2000 Sims et al. D12/211
D432,071 S * 10/2000 Brown D12/211
D444,438 S * 7/2001 Brintouch D12/209
D471,504 S * 3/2003 Laengerer D12/211
D499,686 S * 12/2004 Song D12/211

D500,005 S * 12/2004 van Hooydonk D12/211
D516,991 S * 3/2006 Guevara D12/211
D526,947 S * 8/2006 Kim D12/209
D526,948 S * 8/2006 Truebsbach D12/211
D527,330 S * 8/2006 Madden D12/211
D528,962 S 9/2006 Blasi
D541,724 S * 5/2007 Gallert D12/211
D546,748 S * 7/2007 Young D12/211
D558,118 S 12/2007 Hueller
D567,738 S * 4/2008 Habib et al. D12/211
D569,323 S * 5/2008 Laengerer D12/211

* cited by examiner

Primary Examiner—Stacia Cadmus

(74) *Attorney, Agent, or Firm*—Crowell & Moring LLP

(57) **CLAIM**

The ornamental design for a wheel or wheel cover, as shown and described.

DESCRIPTION

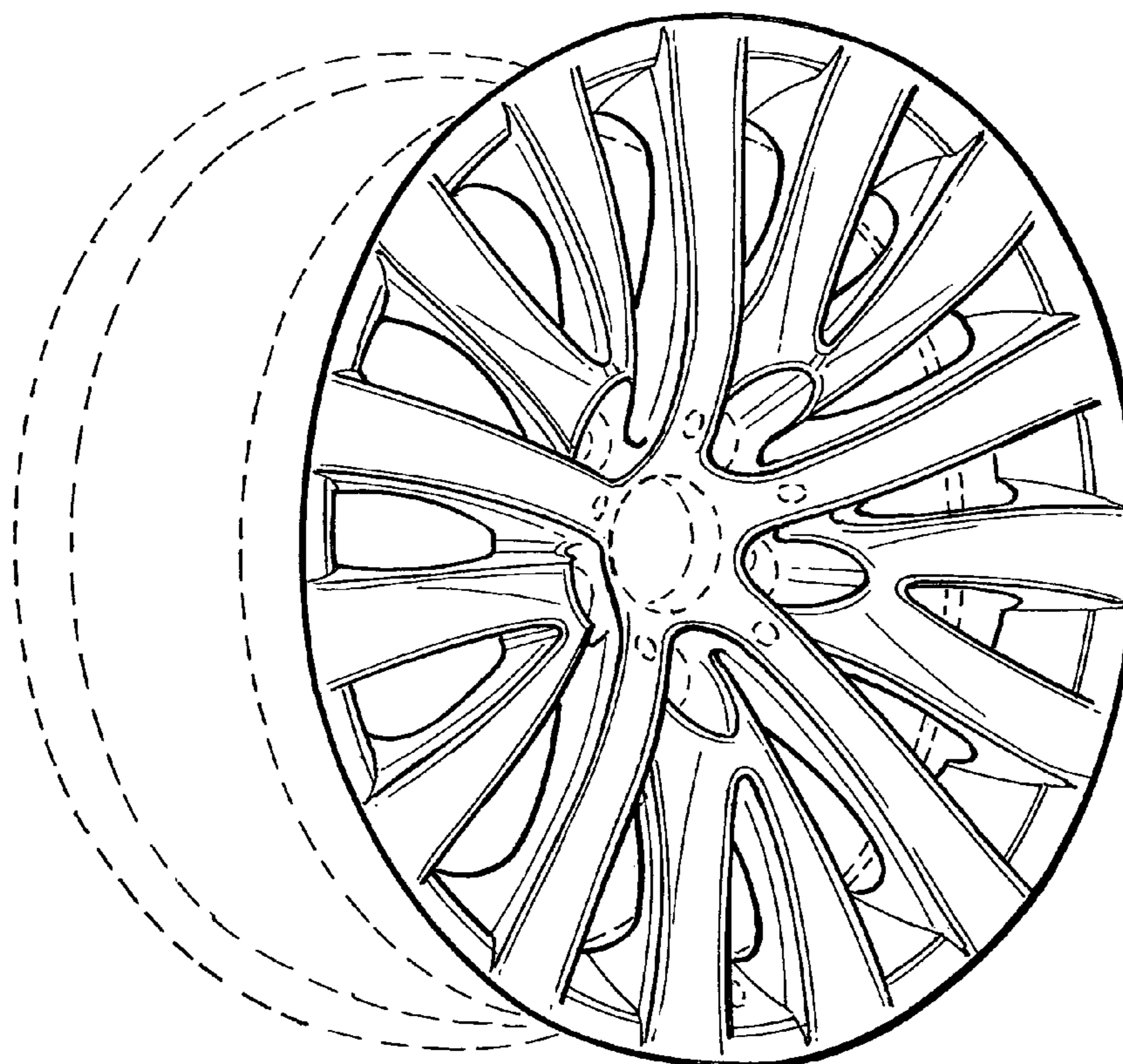
This application is related to the following co-pending application: Ser. No. 29/290,532, filed Dec. 13, 2007.

FIG. 1 is a front view of a wheel or wheel cover according to our novel design; and,

FIG. 2 is a perspective view thereof.

The broken lines are for illustrative purposes only and form no part of the claimed design.

1 Claim, 1 Drawing Sheet



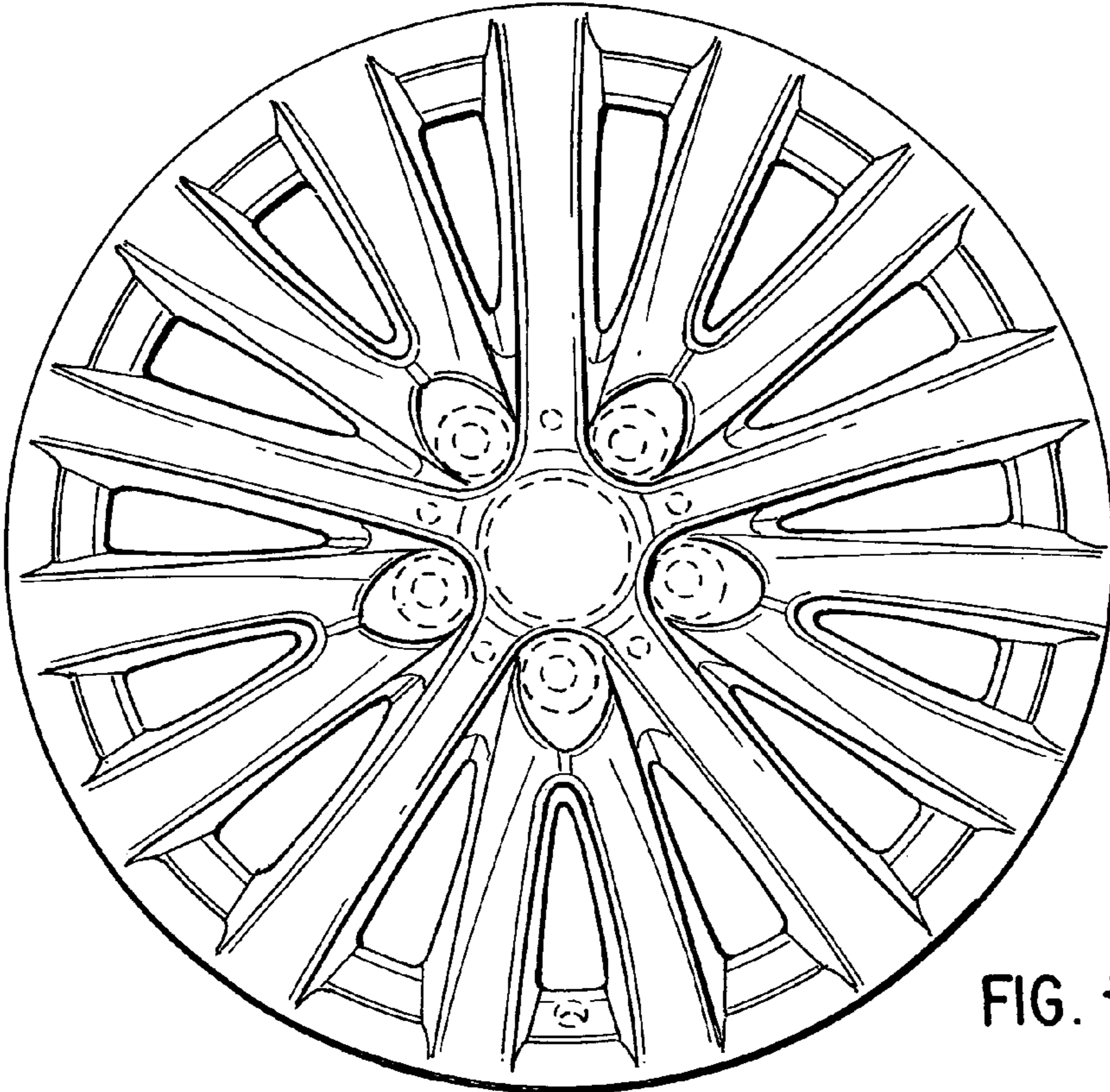


FIG. 1

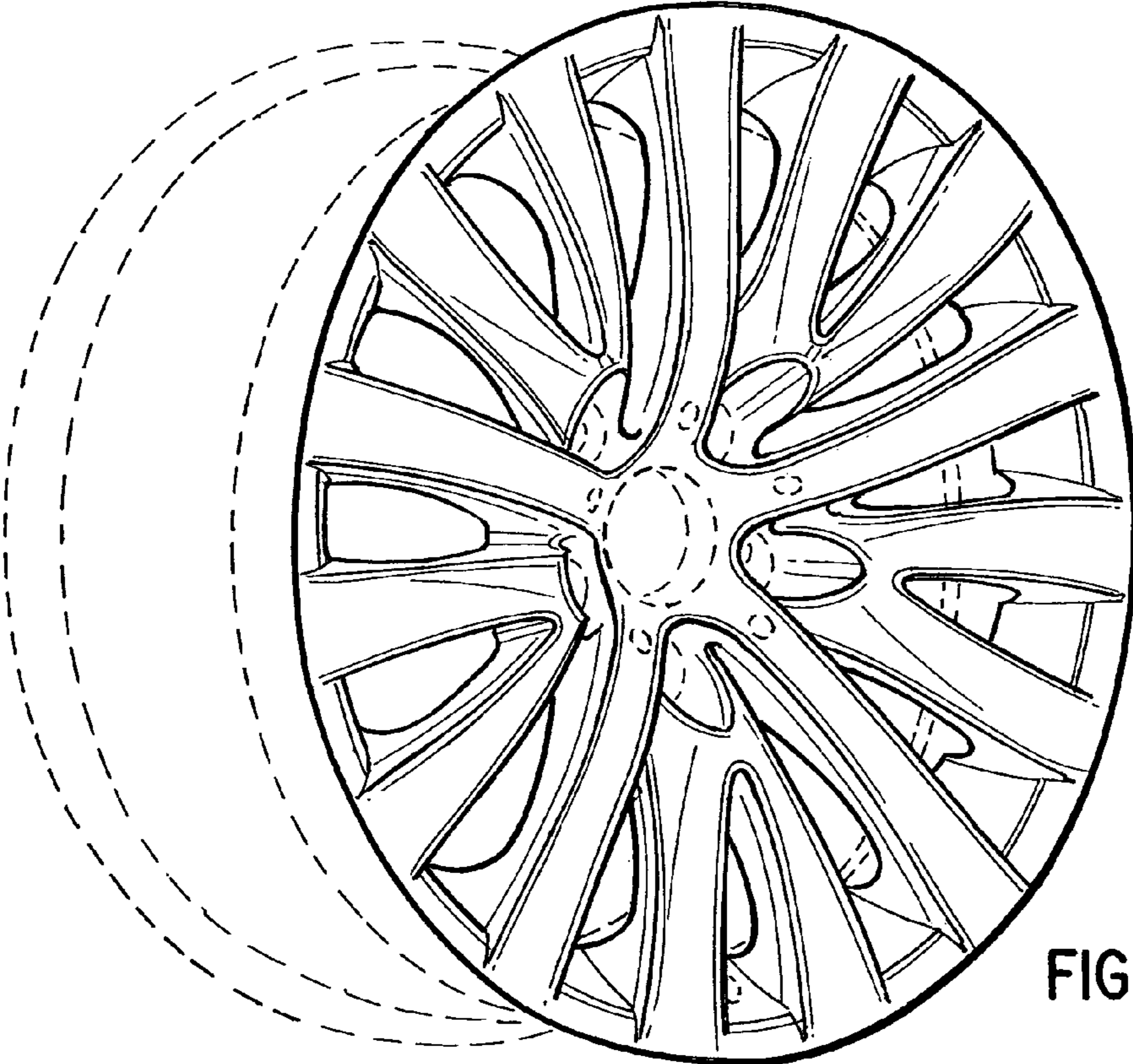


FIG. 2