



US00D583741S

(12) **United States Design Patent**
Huet

(10) **Patent No.:** **US D583,741 S**
(45) **Date of Patent:** **** Dec. 30, 2008**

(54) **FRONT FACE OF A VEHICLE WHEEL**

(75) Inventor: **Jean-François Alexandre Huet**, Villers
Allerand (FR)

(73) Assignee: **Bayerische Motoren Werke**
Aktiengesellschaft, Munich (DE)

(**) Term: **14 Years**

(21) Appl. No.: **29/283,808**

(22) Filed: **Aug. 24, 2007**

(30) **Foreign Application Priority Data**

Feb. 26, 2007 (DE) 4 07 01 059

(51) **LOC (8) Cl.** **12-16**

(52) **U.S. Cl.** **D12/211**

(58) **Field of Classification Search** D12/204-213;
301/37.101, 64.101, 65, 64.201

See application file for complete search history.

(56) **References Cited**

U.S. PATENT DOCUMENTS

- D407,057 S 3/1999 Goplen
- D436,912 S 1/2001 Boyer
- D460,941 S * 7/2002 Muzzarelli D12/211
- D470,093 S * 2/2003 Frizzi D12/209

- D481,664 S * 11/2003 Vian D12/211
- D513,488 S * 1/2006 Chun D12/209
- D519,905 S * 5/2006 Muzzarelli D12/209
- D522,431 S * 6/2006 Hieke D12/209
- D522,947 S * 6/2006 Hieke D12/209
- D527,700 S * 9/2006 Guevara D12/211
- D541,204 S 4/2007 Huet
- D542,729 S * 5/2007 Hieke D12/211
- D548,159 S * 8/2007 Young D12/209
- D560,152 S * 1/2008 Nordmann D12/211
- D572,646 S * 7/2008 Hieke D12/209
- D573,079 S * 7/2008 Huet D12/209

* cited by examiner

Primary Examiner—Stacia Cadmus

(74) *Attorney, Agent, or Firm*—Crowell & Moring LLP

(57) **CLAIM**

The ornamental design for a front face of a vehicle wheel, as shown and described.

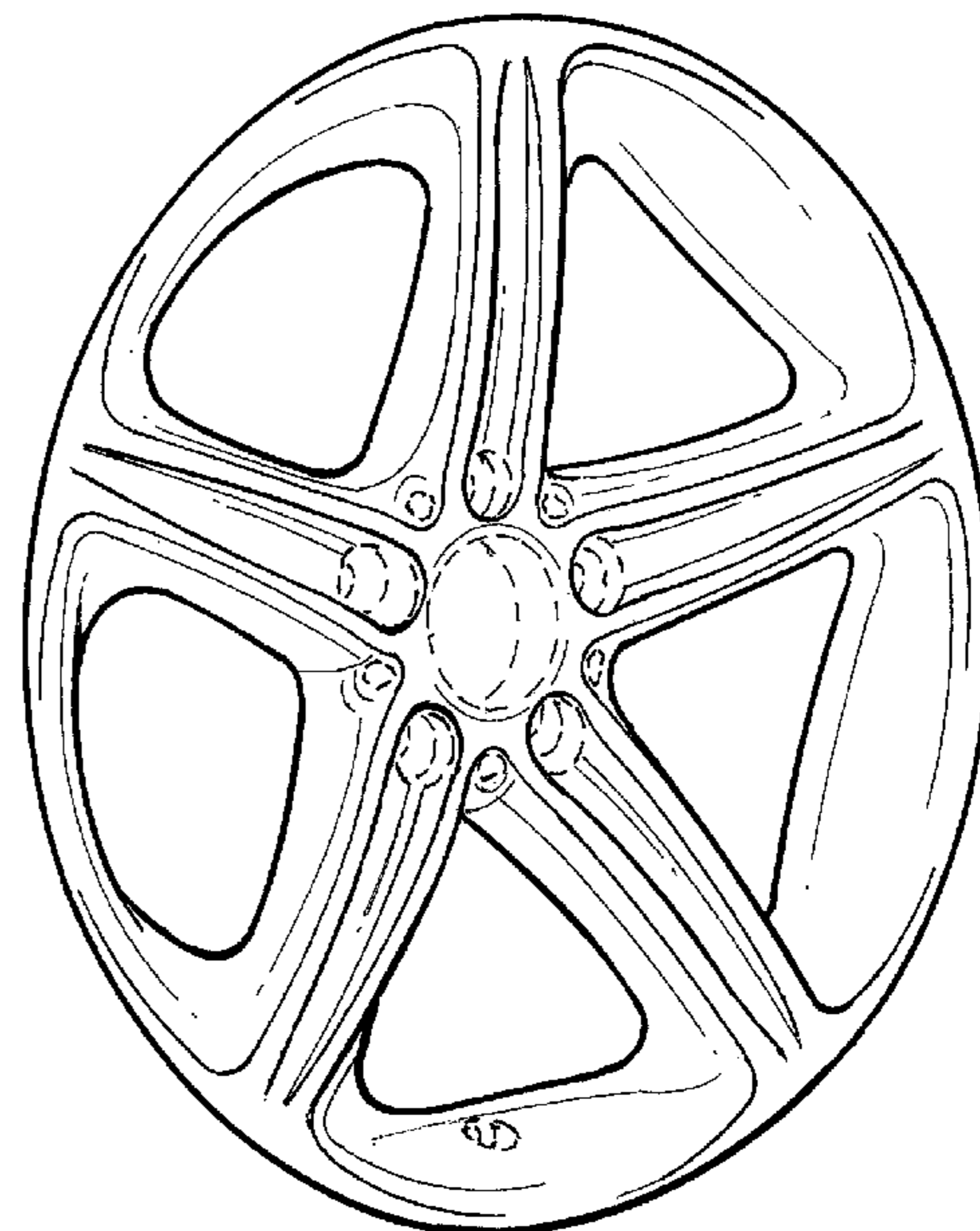
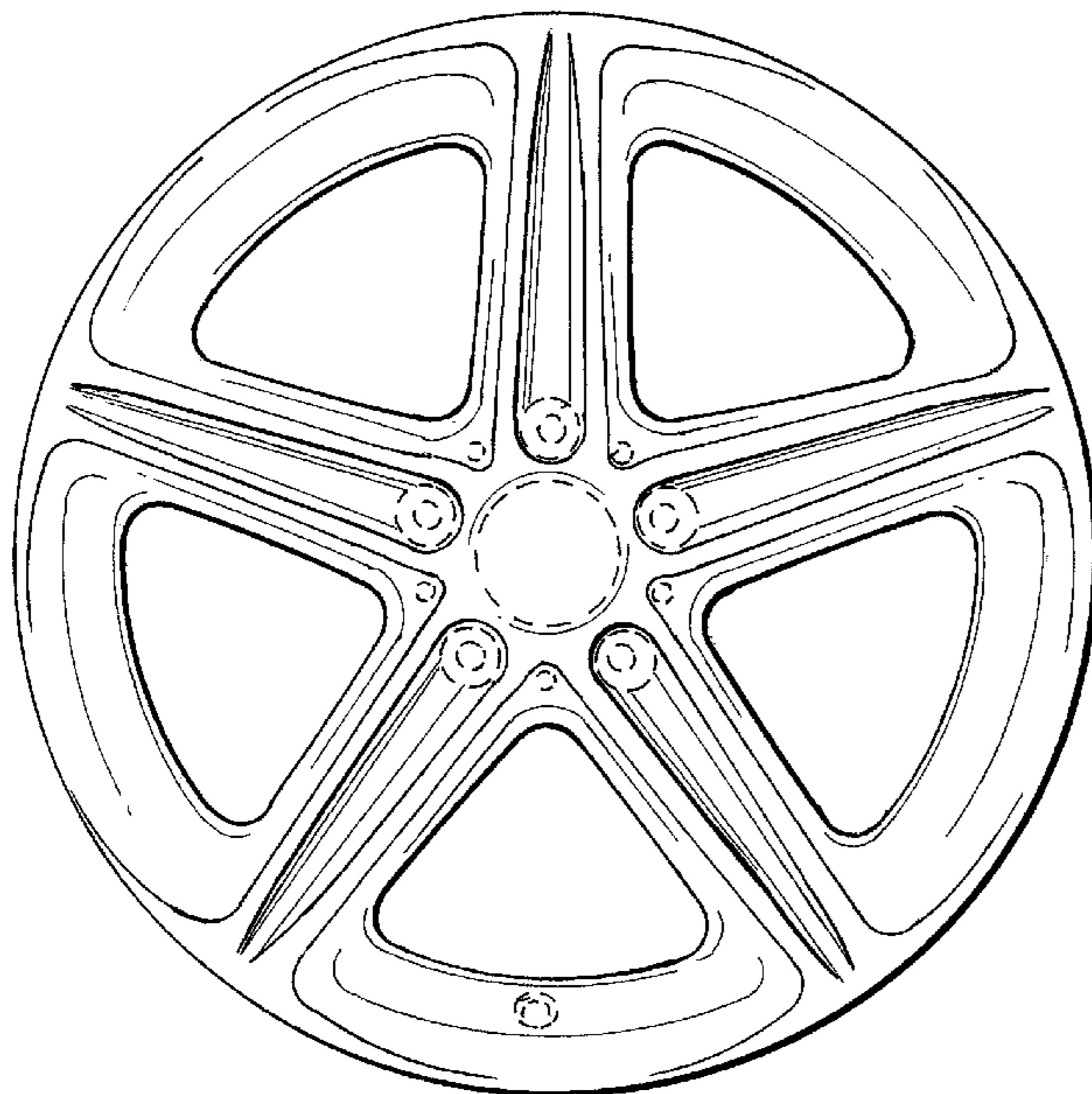
DESCRIPTION

FIG. 1 is a front view of a front face of a vehicle wheel according to my novel design; and,

FIG. 2 is a perspective view thereof.

The broken lines are for illustrative purposes only and form no part of the claimed design.

1 Claim, 1 Drawing Sheet



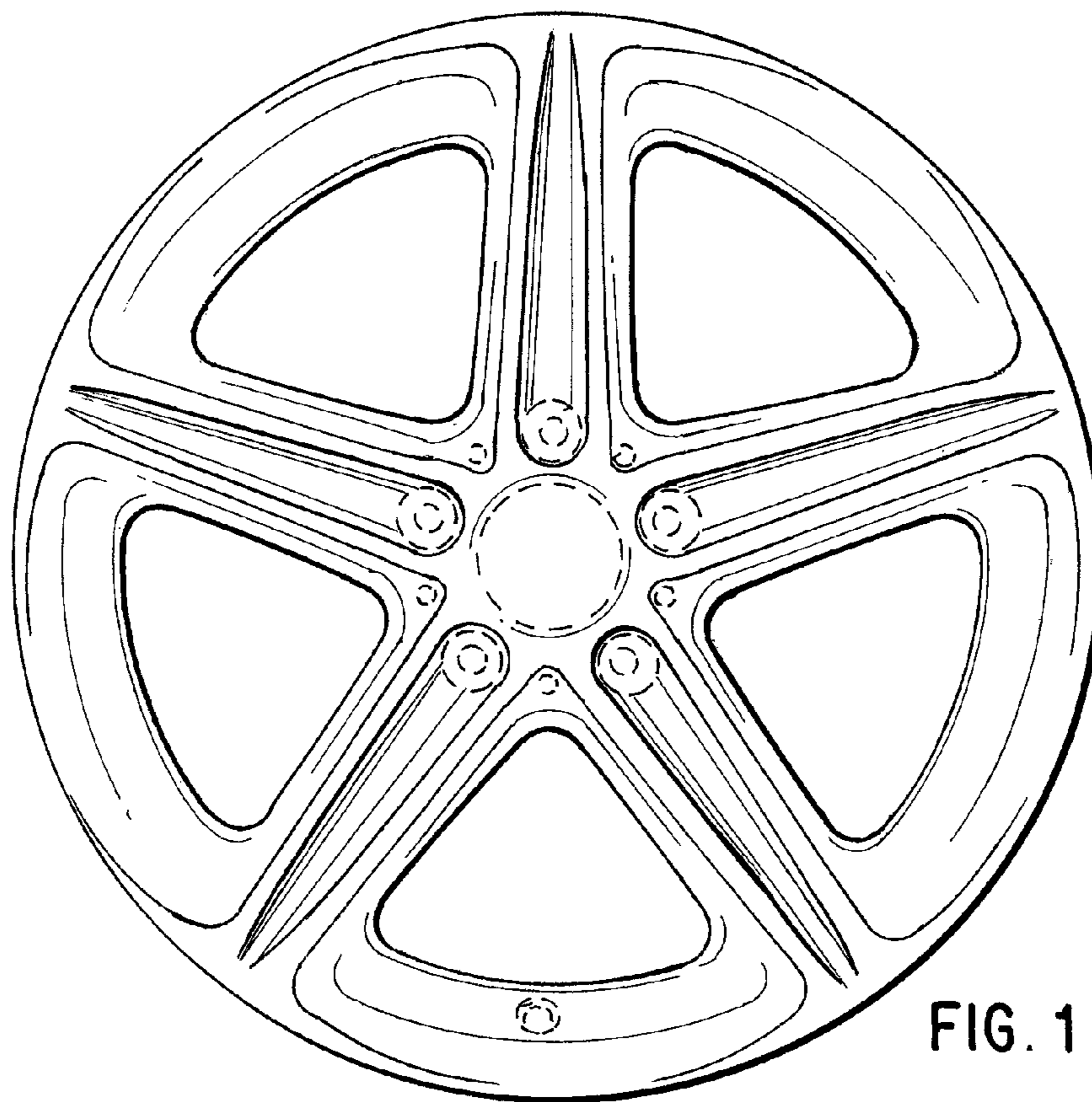


FIG. 1

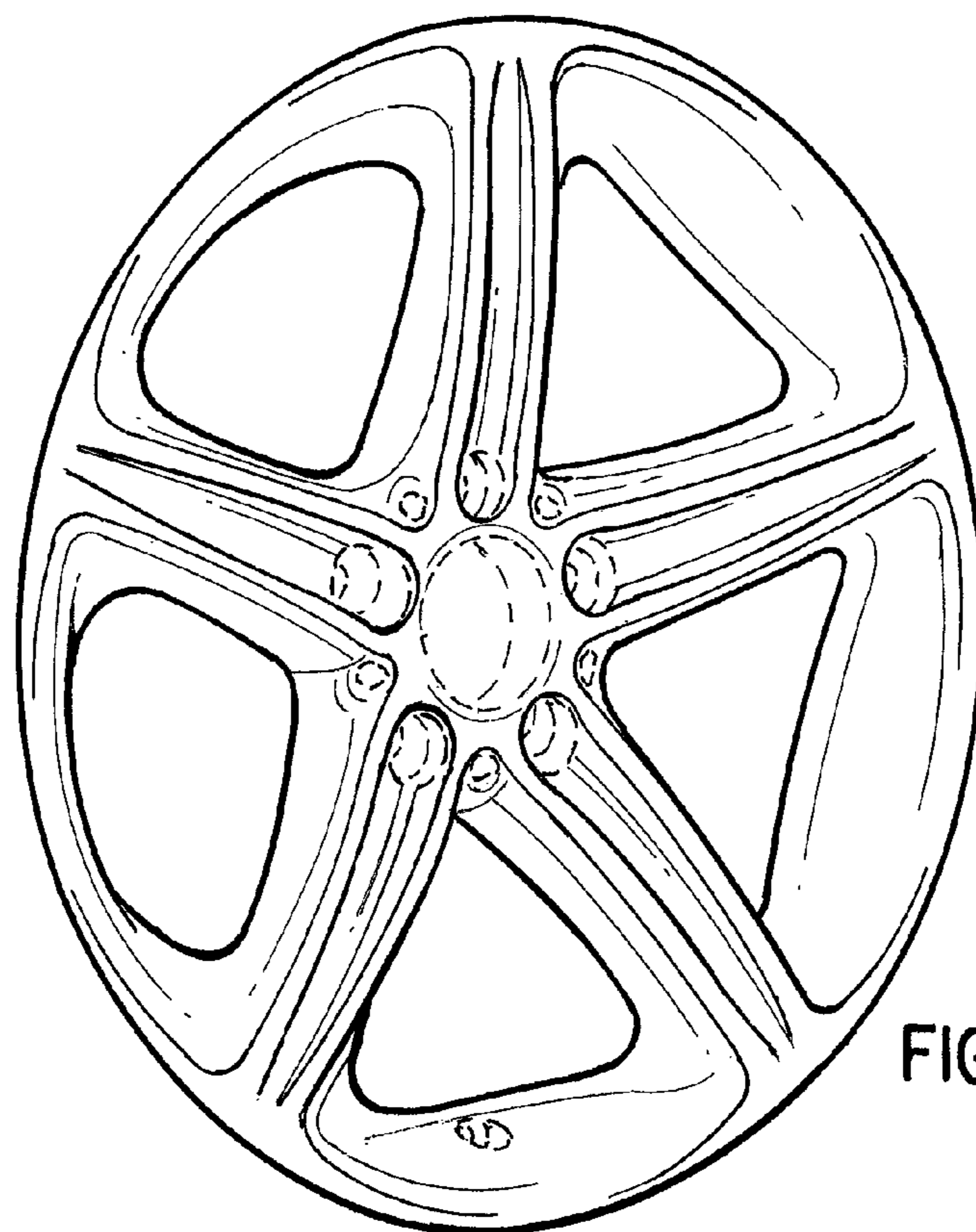


FIG. 2