



US00D583740S

(12) **United States Design Patent**
Frizzi

(10) **Patent No.:** **US D583,740 S**
(45) **Date of Patent:** **** Dec. 30, 2008**

(54) **WHEEL OR WHEEL COVER**

(75) Inventor: **Roberto Frizzi**, Brescia (IT)

(73) Assignee: **Bayerische Motoren Werke Aktiengesellschaft**, Munich (DE)

(**) Term: **14 Years**

(21) Appl. No.: **29/300,831**

(22) Filed: **May 20, 2008**

(30) **Foreign Application Priority Data**

Nov. 21, 2007 (DE) 4 07 05 839

(51) **LOC (8) Cl.** **12-16**

(52) **U.S. Cl.** **D12/209**

(58) **Field of Classification Search** D12/204–213;
301/37.101, 64.101, 65, 64.201
See application file for complete search history.

(56) **References Cited**

U.S. PATENT DOCUMENTS

- D419,942 S * 2/2000 Lampkin D12/209
- D471,851 S * 3/2003 McMath D12/209
- D485,524 S * 1/2004 Bhambra D12/209
- D491,124 S * 6/2004 Rice D12/209
- D504,100 S * 4/2005 Pollmann D12/211
- D513,487 S 1/2006 Wachtler
- D516,488 S 3/2006 Truebsbach

- D516,982 S * 3/2006 Gallert D12/209
- D517,971 S * 3/2006 Pfeiffer D12/211
- D522,949 S 6/2006 Elmitt
- D531,563 S * 11/2006 Martin D12/209
- D531,950 S * 11/2006 Huet D12/209
- D532,736 S * 11/2006 Ettensberger D12/209
- D538,216 S 3/2007 Sycha
- D540,238 S * 4/2007 Sycha D12/209

* cited by examiner

Primary Examiner—Stacia Cadmus

(74) *Attorney, Agent, or Firm*—Crowell & Moring LLP

(57) **CLAIM**

The ornamental design for a wheel or wheel cover, as shown and described.

DESCRIPTION

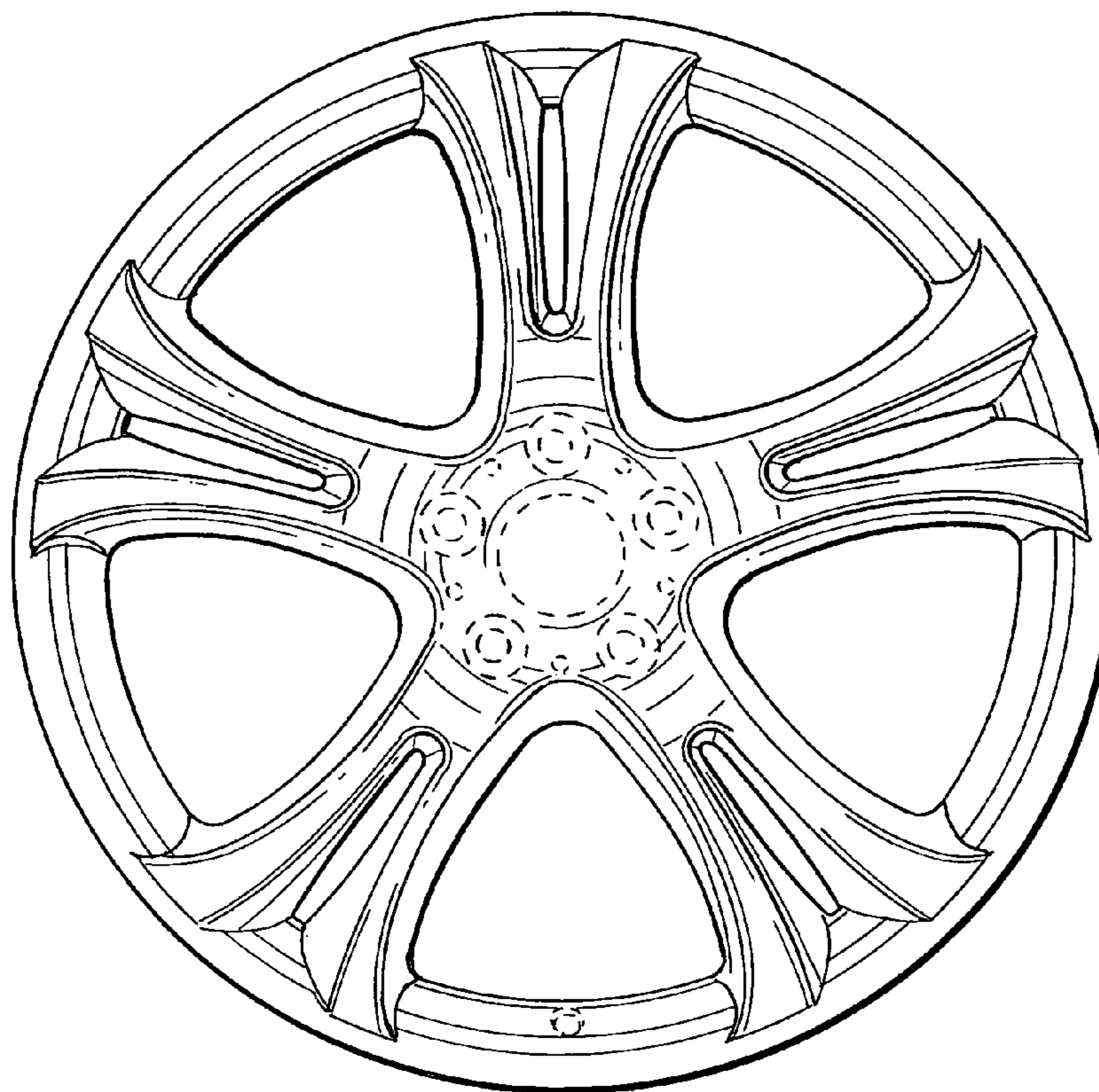
This application is related to the following co-pending applications: Application Ser. No. 29/290,530, filed Dec. 13, 2007, entitled Front Face of a Vehicle Wheel; and Application Ser. No. 29/300,127, filed Feb. 22, 2008, entitled Front Face of a Vehicle Wheel.

FIG. 1 is a front view of a wheel or wheel cover according to my novel design; and,

FIG. 2 is a perspective view thereof.

The broken lines are for illustrative purposes only and form no part of the claimed design.

1 Claim, 1 Drawing Sheet



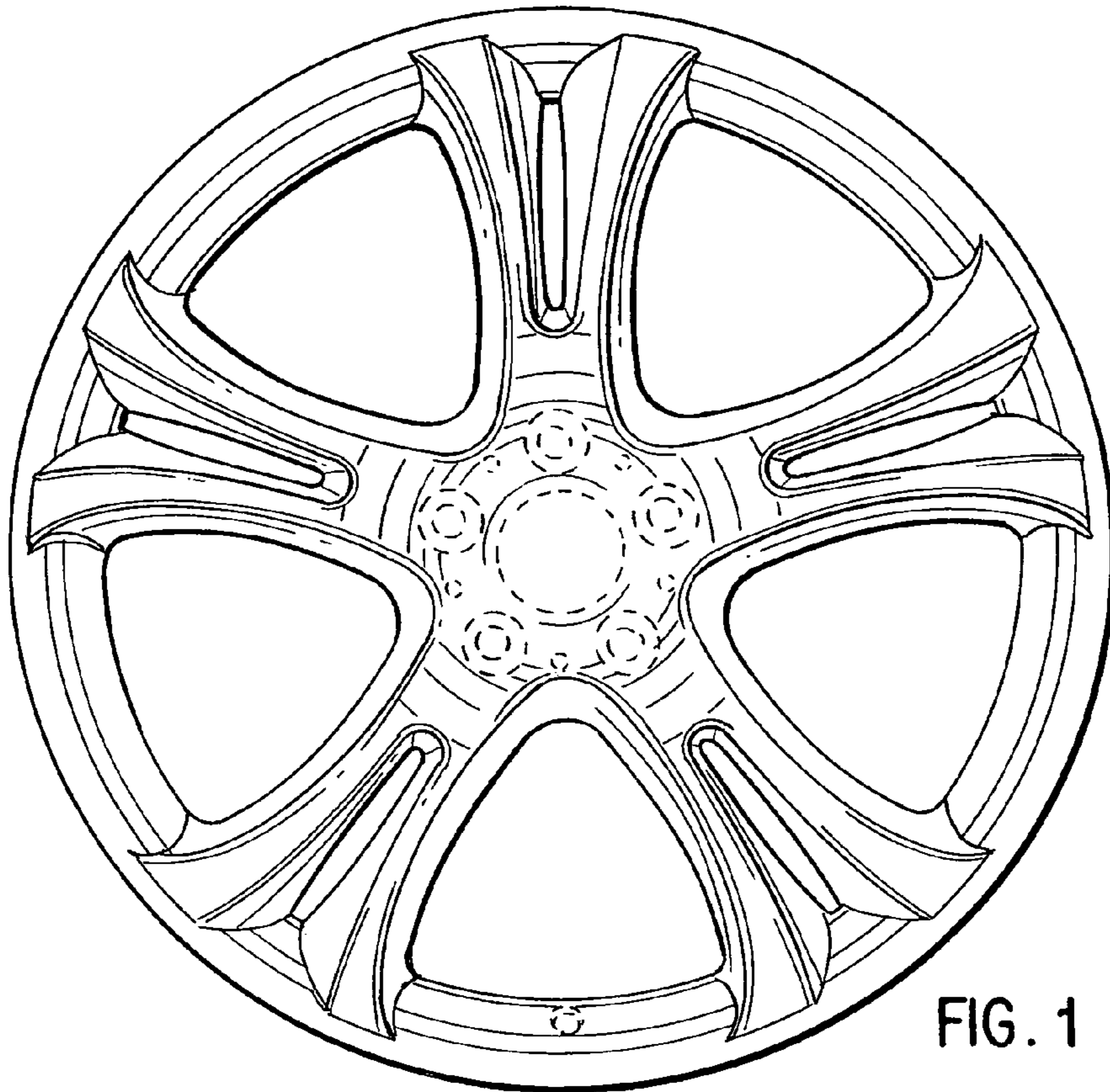


FIG. 1

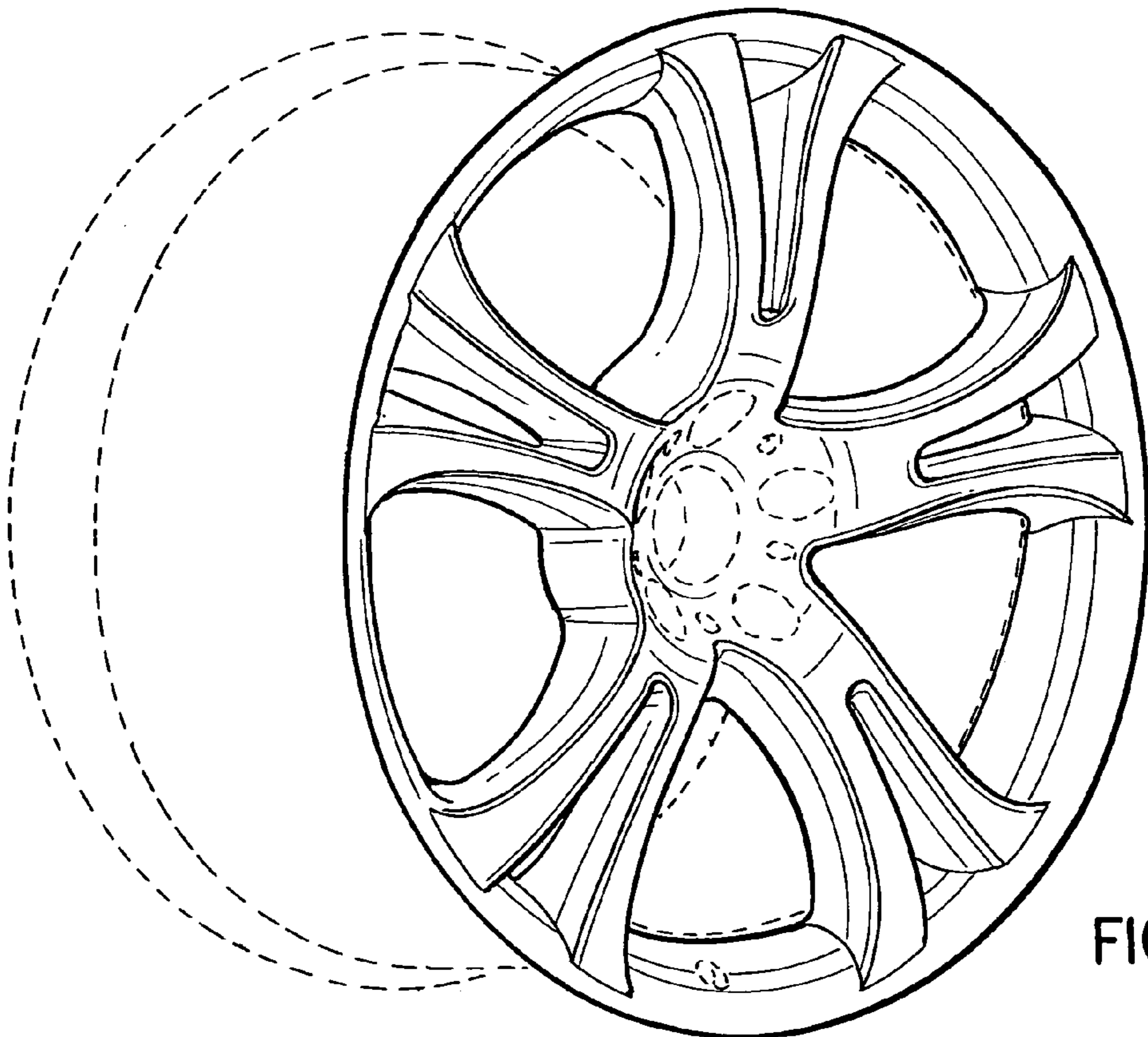


FIG. 2