



US00D583730S

(12) **United States Design Patent**
Tonello

(10) **Patent No.:** **US D583,730 S**
(45) **Date of Patent:** **** Dec. 30, 2008**

(54) **VEHICLE REAR BUMPER COVER**

(75) Inventor: **Domenico Tonello**, Köln-Esch (DE)

(73) Assignee: **Ford Global Technologies, LLC**,
Dearborn, MI (US)

(**) Term: **14 Years**

(21) Appl. No.: **29/303,559**

(22) Filed: **Feb. 12, 2008**

(30) **Foreign Application Priority Data**

Aug. 24, 2007 (CN) 2007 3 0150065

(51) **LOC (8) Cl.** **12-16**

(52) **U.S. Cl.** **D12/169**

(58) **Field of Classification Search** D12/169,
D12/196, 171, 163, 216, 90-92, 86; 293/102,
293/113, 115, 117, 120; 296/180.1, 180.2
See application file for complete search history.

(56) **References Cited**

U.S. PATENT DOCUMENTS

D512,003 S	*	11/2005	Koide	D12/169
D550,130 S		9/2007	Lamarre		
D555,551 S		11/2007	Kaoud		
D563,291 S	*	3/2008	Nishihama et al.	D12/169
D563,844 S	*	3/2008	Kodama et al.	D12/169
D564,426 S	*	3/2008	Okue	D12/169
D570,750 S	*	6/2008	Sato et al.	D12/169

OTHER PUBLICATIONS

U.S. Appl. No. 29/295,772, filed Oct. 5, 2007, Ebel.
U.S. Appl. No. 29/295,957, filed Oct. 11, 2007, Song.

U.S. Appl. No. 29/296,011, filed Oct. 12, 2007, Walter.

* cited by examiner

Primary Examiner—Melody N Brown

(74) *Attorney, Agent, or Firm*—Damian Porcari

(57) **CLAIM**

The ornamental design for a vehicle rear bumper cover, shown and described.

DESCRIPTION

The vehicle rear bumper cover is styled independently of adjacent vehicle panels. To the extent that any feature lines are illustrated, they are intended to illustrate the crest and valley of the feature and are not necessarily sharp bends in the part. Shading is used to illustrate the curvature of the part and not color. Areas shown in or sounded by broken lines are not claimed. Any functional features of the vehicle rear bumper cover are not claimed. Views are orthogonal projections unless otherwise noted. The various views are not necessarily to scale in order to better illustrate the design.

FIG. 1 is a perspective view of a vehicle rear bumper cover; FIG. 2 is a rear elevational view of the vehicle rear bumper cover;

FIG. 3 is a front elevational view of the vehicle rear bumper cover

FIG. 4 is a left side elevational view of the vehicle rear bumper cover, enlarged to show detail;

FIG. 5 is a right side elevational view of the vehicle rear bumper cover, enlarged to show detail;

FIG. 6 is a top plan view of the vehicle rear bumper cover; and,

FIG. 7 is bottom plan view of the vehicle rear bumper cover.

1 Claim, 6 Drawing Sheets

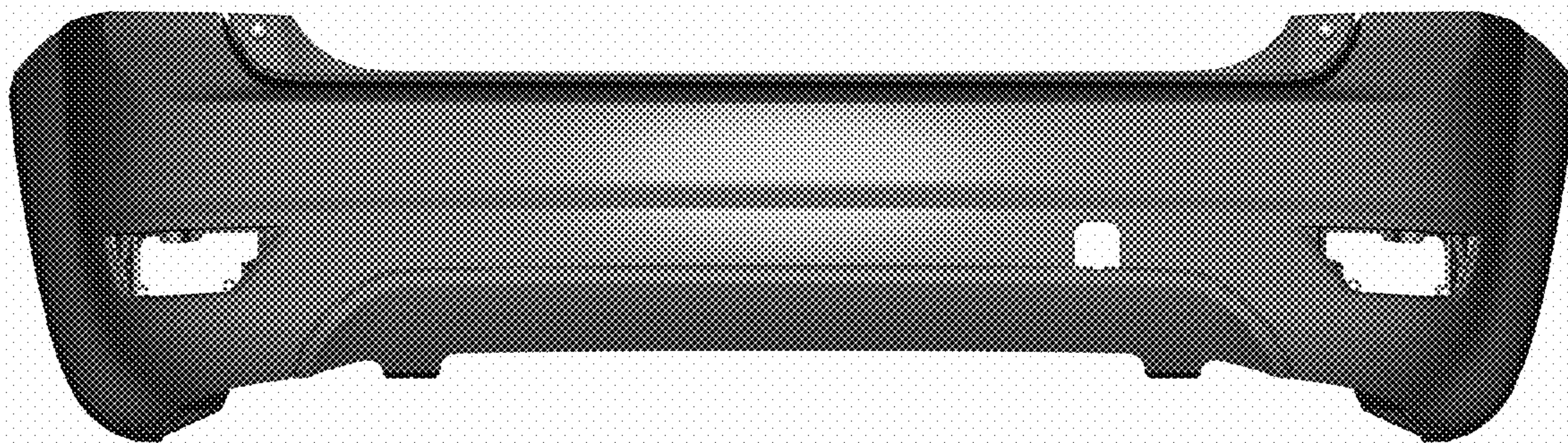




Fig 1

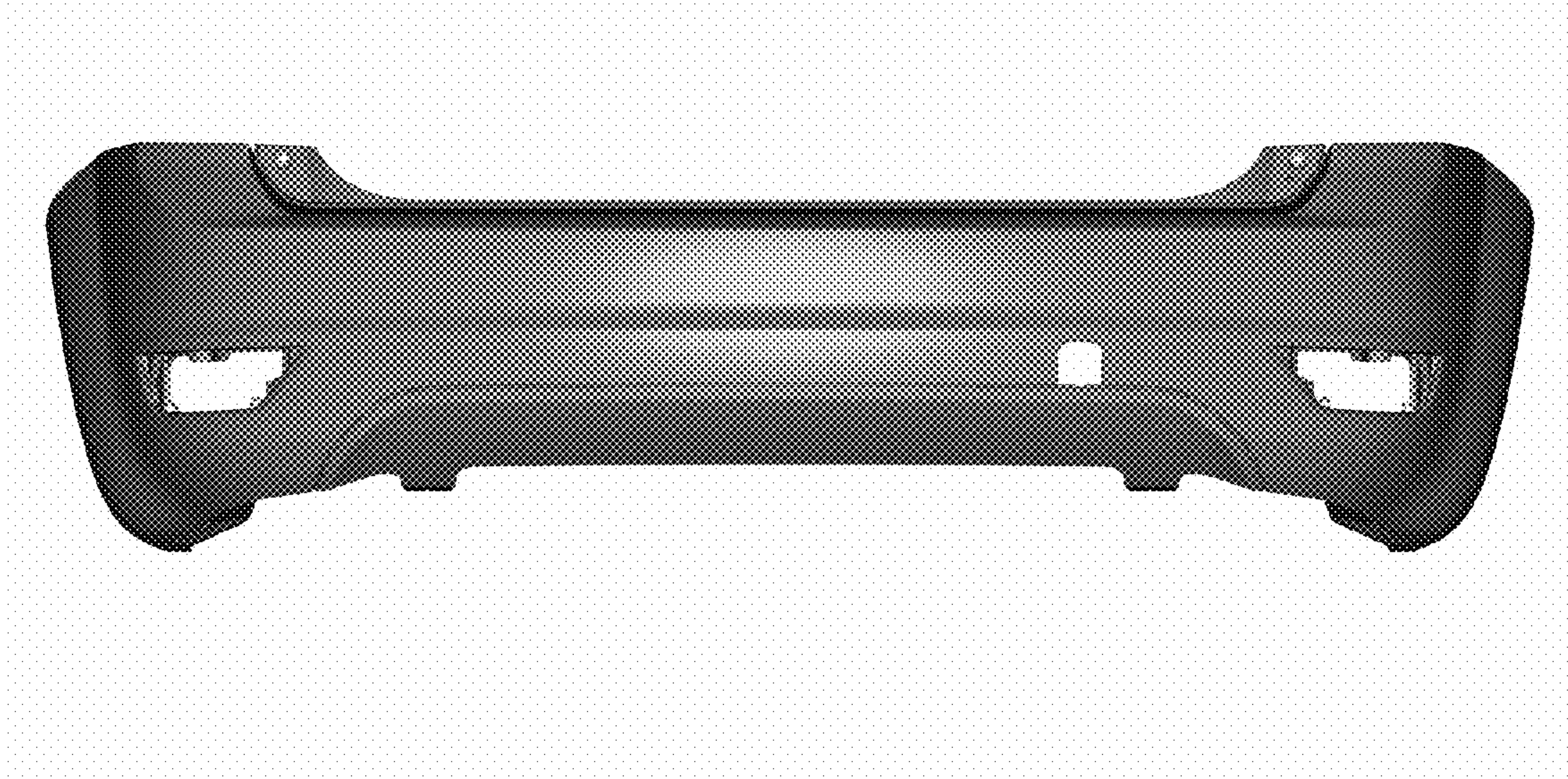


Fig 2

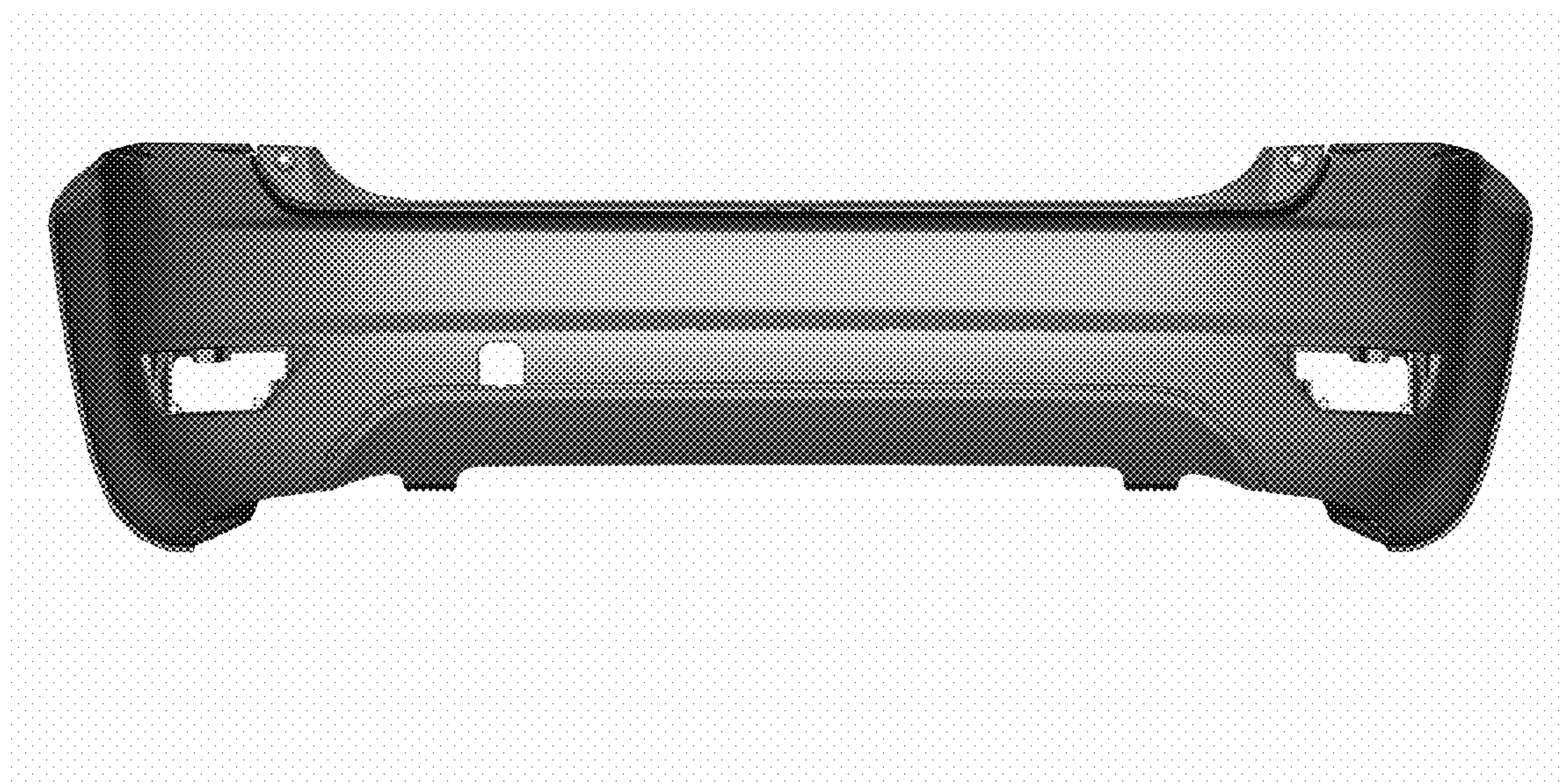


Fig 3

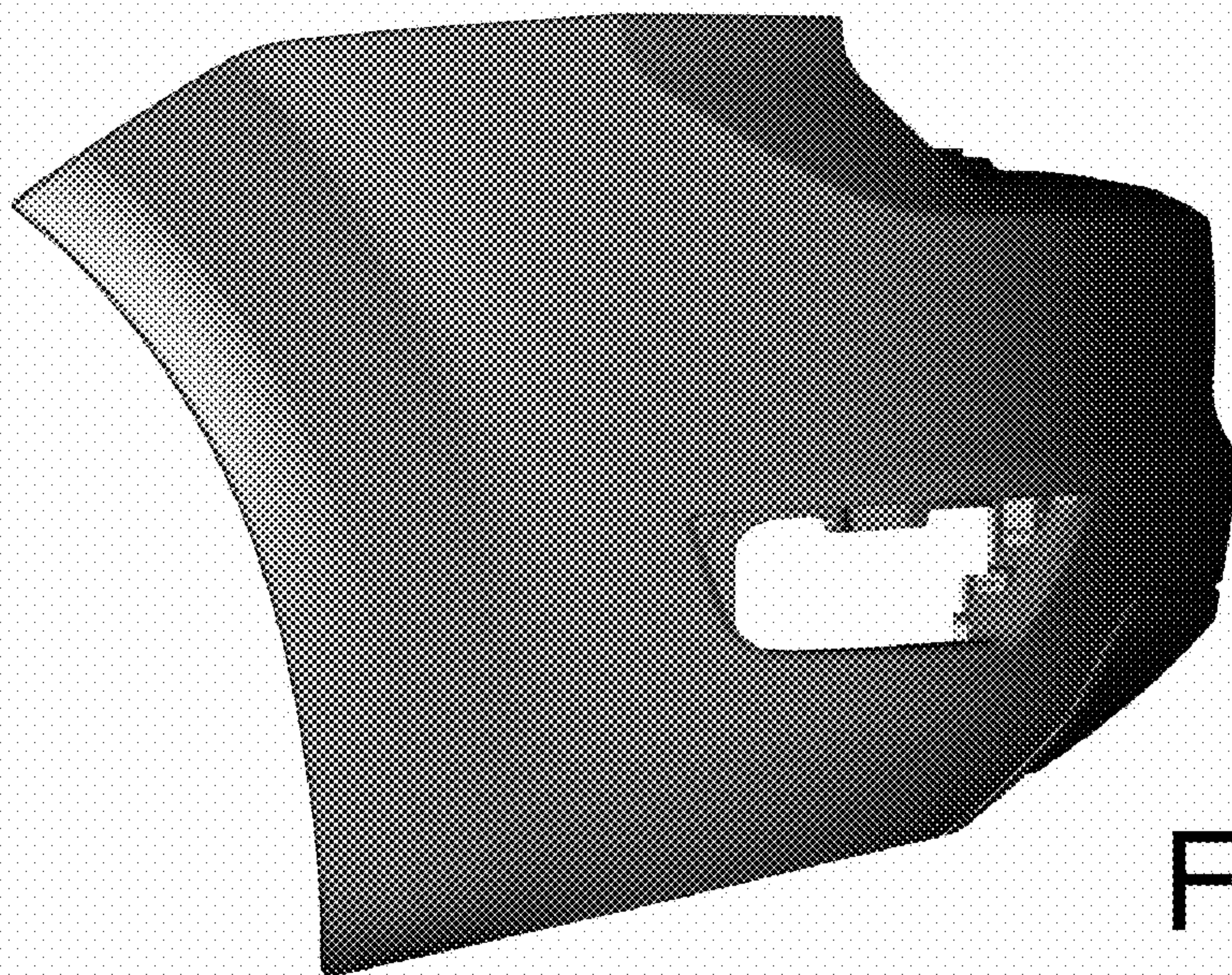


Fig 4

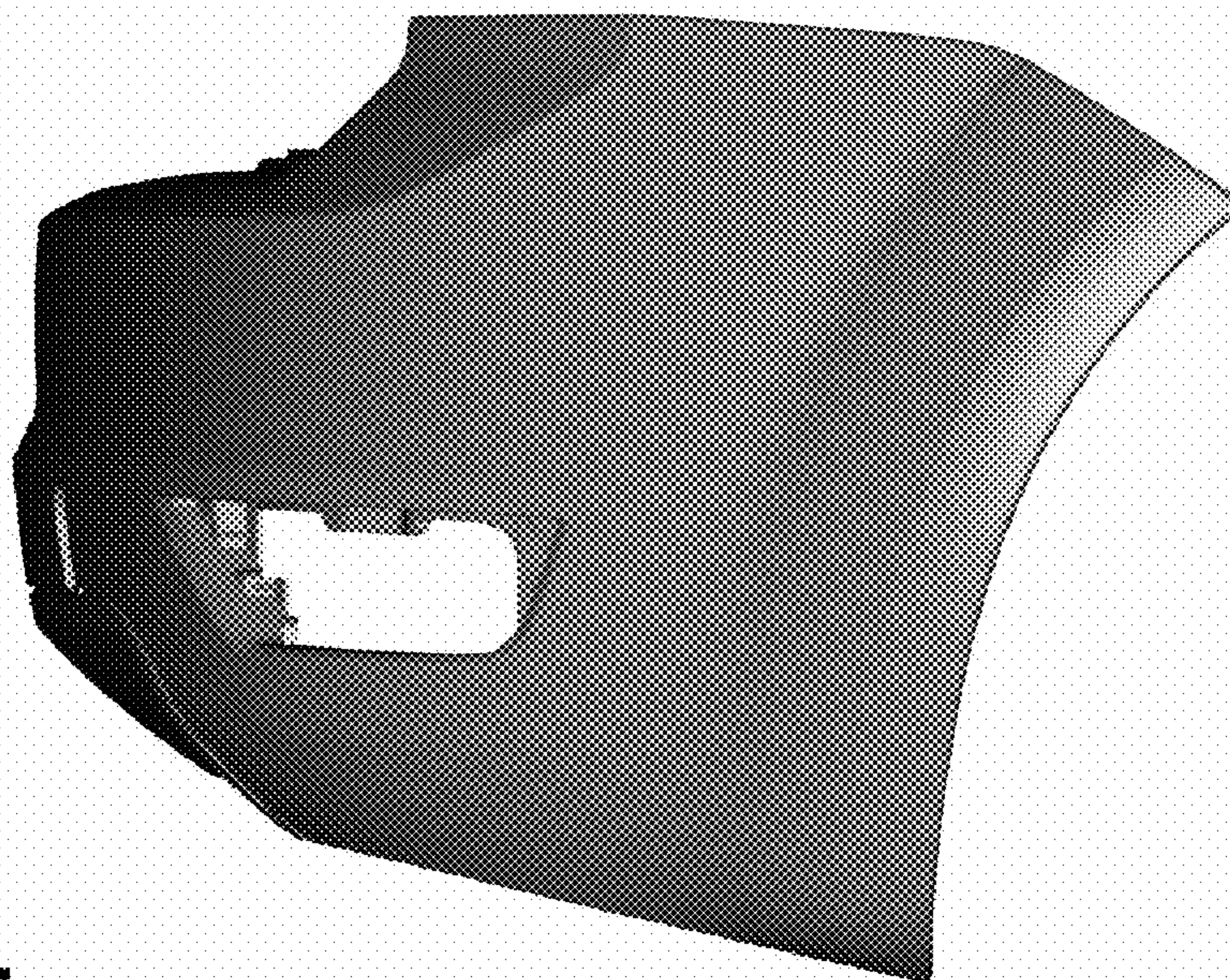


Fig 5

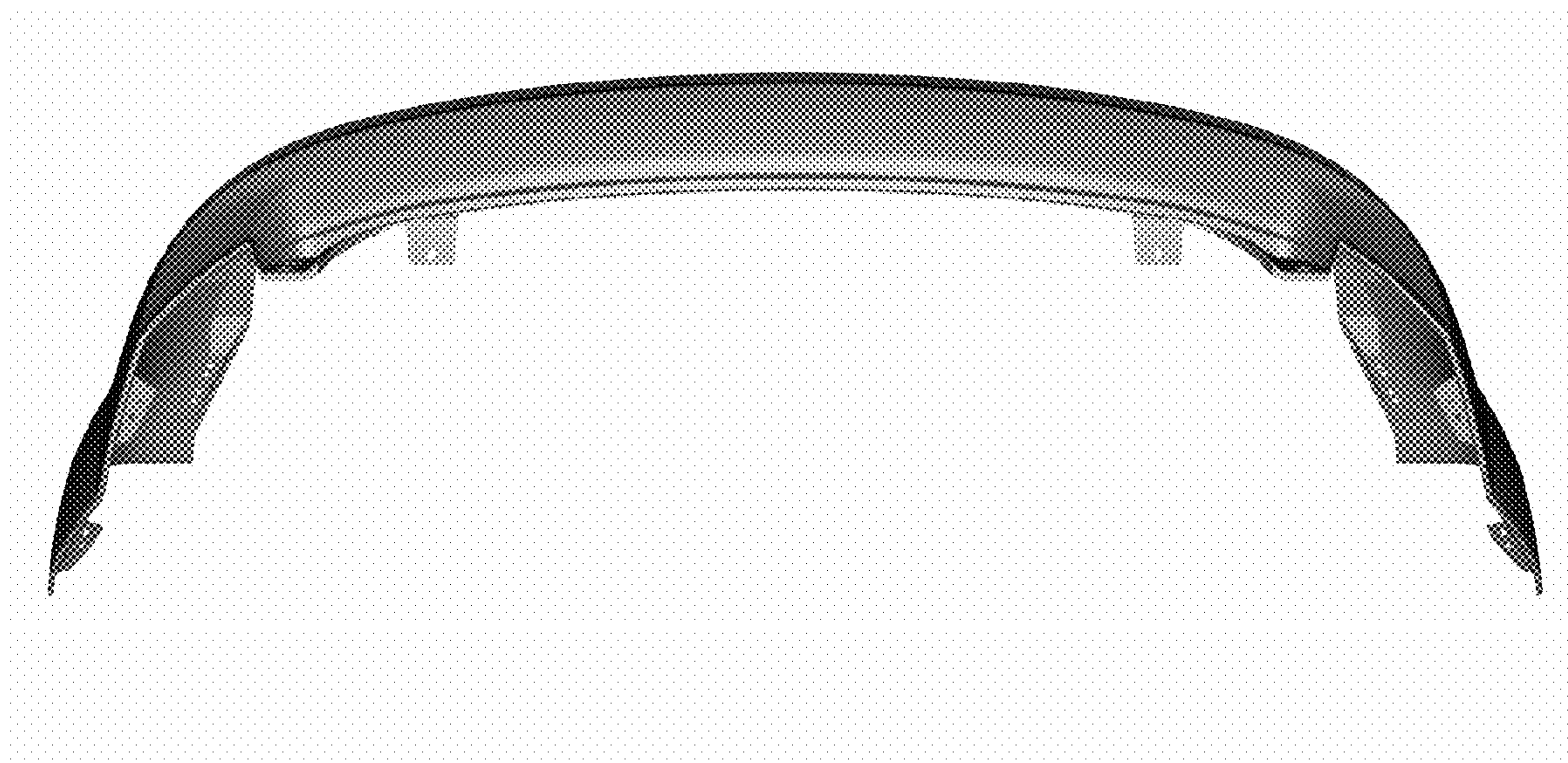


Fig 6

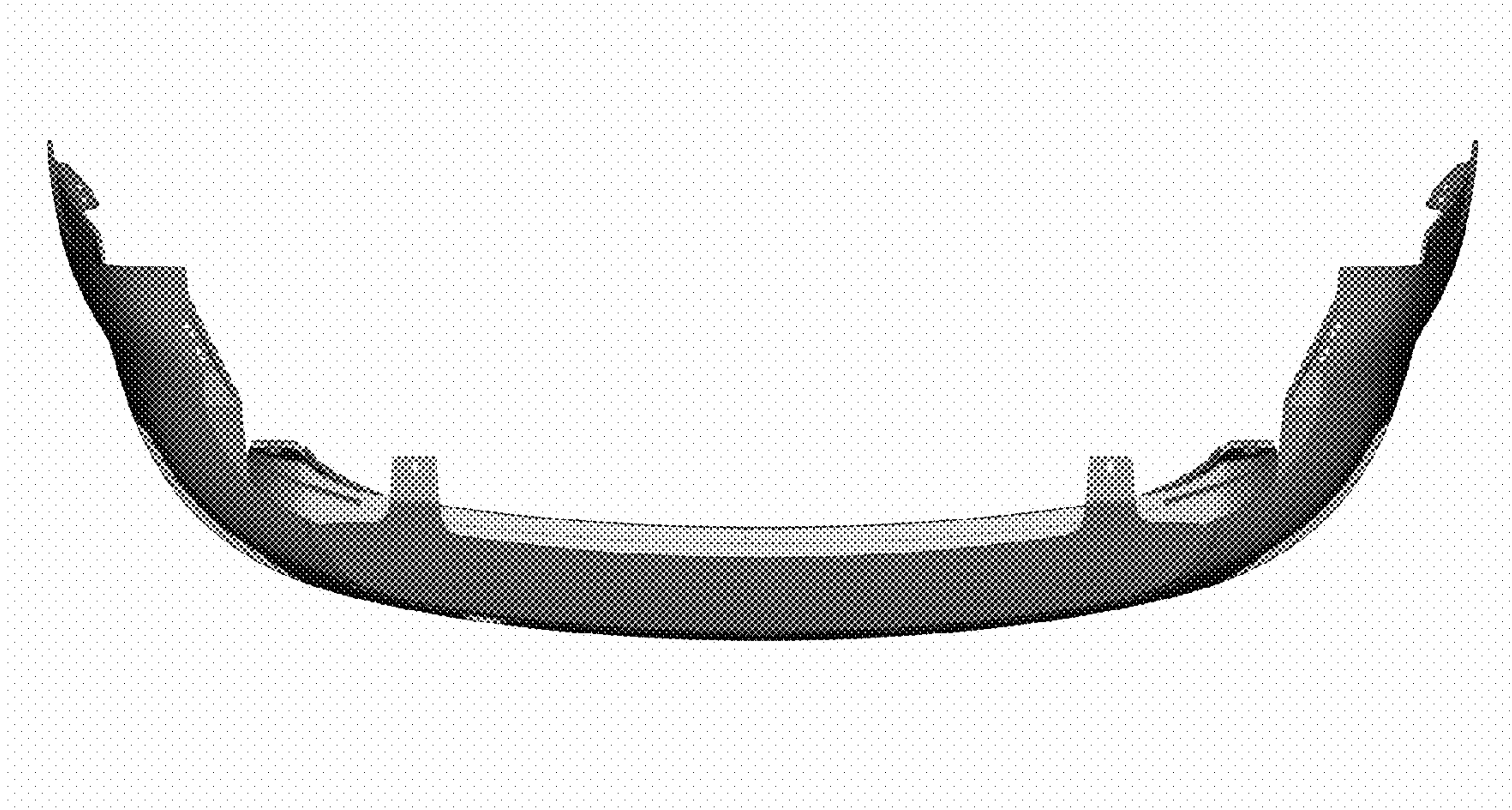


Fig 7