



US00D583729S

(12) **United States Design Patent**
Tonello

(10) **Patent No.:** **US D583,729 S**
(45) **Date of Patent:** **** Dec. 30, 2008**

(54) **VEHICLE REAR BUMPER COVER**

(74) *Attorney, Agent, or Firm*—Damian Porcari

(75) **Inventor:** **Domenico Tonello**, Köln-Esch (DE)

(57) **CLAIM**

(73) **Assignee:** **Ford Global Technologies, LLC**,
Dearborn, MI (US)

The ornamental design for a vehicle rear bumper cover,
shown and described.

(**) **Term:** **14 Years**

DESCRIPTION

(21) **Appl. No.:** **29/303,558**

FIG. 1 is a perspective view of a vehicle rear bumper cover;
FIG. 2 is a rear elevational view of the vehicle rear bumper
cover;

(22) **Filed:** **Feb. 12, 2008**

FIG. 3 is a front elevational view of the vehicle rear bumper
cover;

(30) **Foreign Application Priority Data**

Aug. 24, 2007 (CN) 2007 3 0150066

FIG. 4 is a right side elevational view of the vehicle rear
bumper cover, enlarged to show detail;

(51) **LOC (8) Cl.** **12-16**

FIG. 5 is a left side elevational view of the vehicle rear bumper
cover, enlarged to show detail;

(52) **U.S. Cl.** **D12/169**

(58) **Field of Classification Search** D12/169,
D12/196, 171, 163, 216, 90–92, 86; 293/102,
293/113, 115, 117, 120; 296/180.1, 180.2

FIG. 6 is a top plan view of the vehicle rear bumper cover;
and,

See application file for complete search history.

FIG. 7 is bottom plan view of the vehicle rear bumper cover.

(56) **References Cited**

The vehicle rear bumper cover is styled independently of
adjacent vehicle panels. To the extent that any feature lines are
illustrated, they are intended to illustrate the crest and valley
of the feature and are not necessarily sharp bends in the part.
Shading is used to illustrate the curvature of the part and not
color. Areas shown in or sounded by broken lines are not
claimed. Any functional features of the vehicle rear bumper
cover are not claimed. Views are orthogonal projections
unless otherwise noted. The various views are not necessarily
to scale in order to better illustrate the design.

U.S. PATENT DOCUMENTS

- D535,592 S * 1/2007 Ogawa et al. D12/169
- D540,724 S * 4/2007 Levy D12/169
- D545,733 S * 7/2007 Hamano D12/169
- D550,160 S 9/2007 Fujimoto
- D555,551 S 11/2007 Kaoud
- D570,752 S * 6/2008 Hirose D12/169

* cited by examiner

Primary Examiner—Melody N Brown

1 Claim, 6 Drawing Sheets

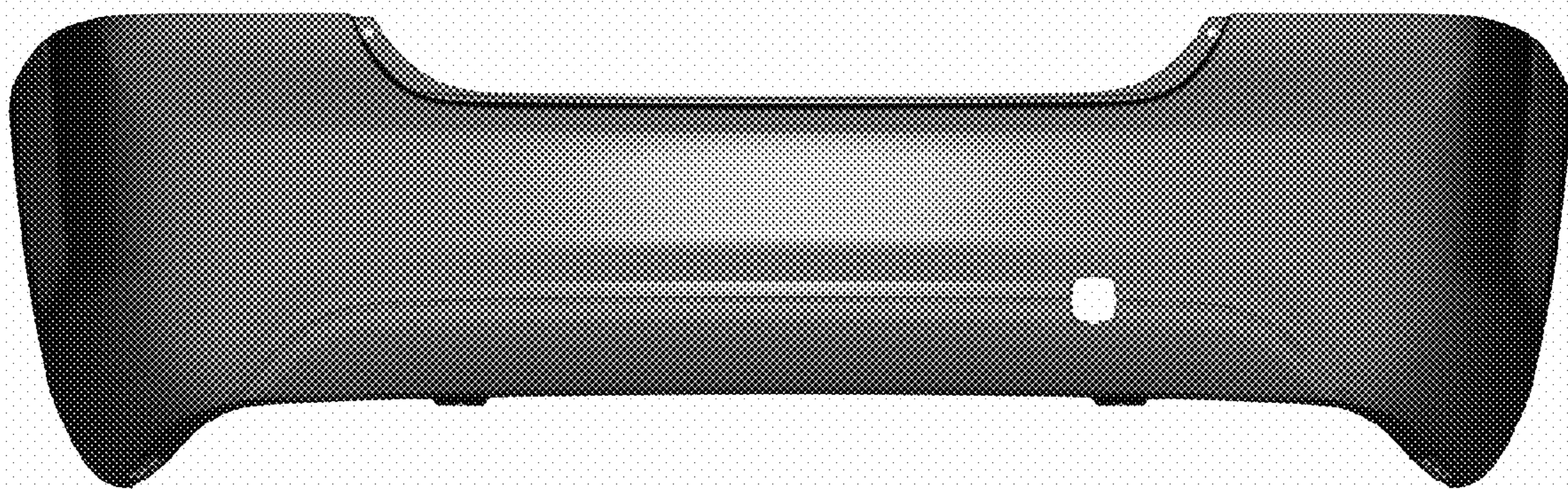




Fig 1

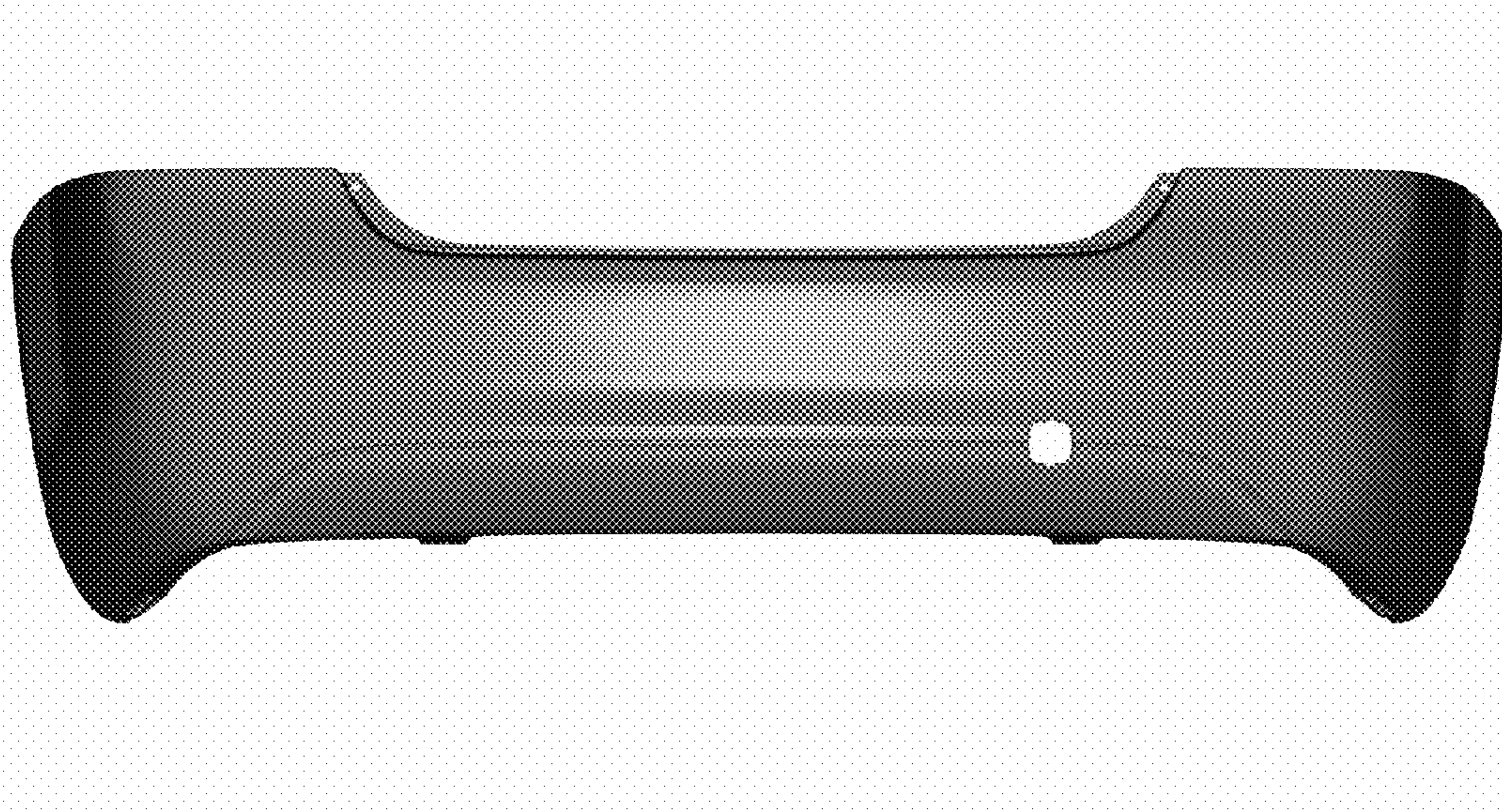


Fig 2



Fig 3

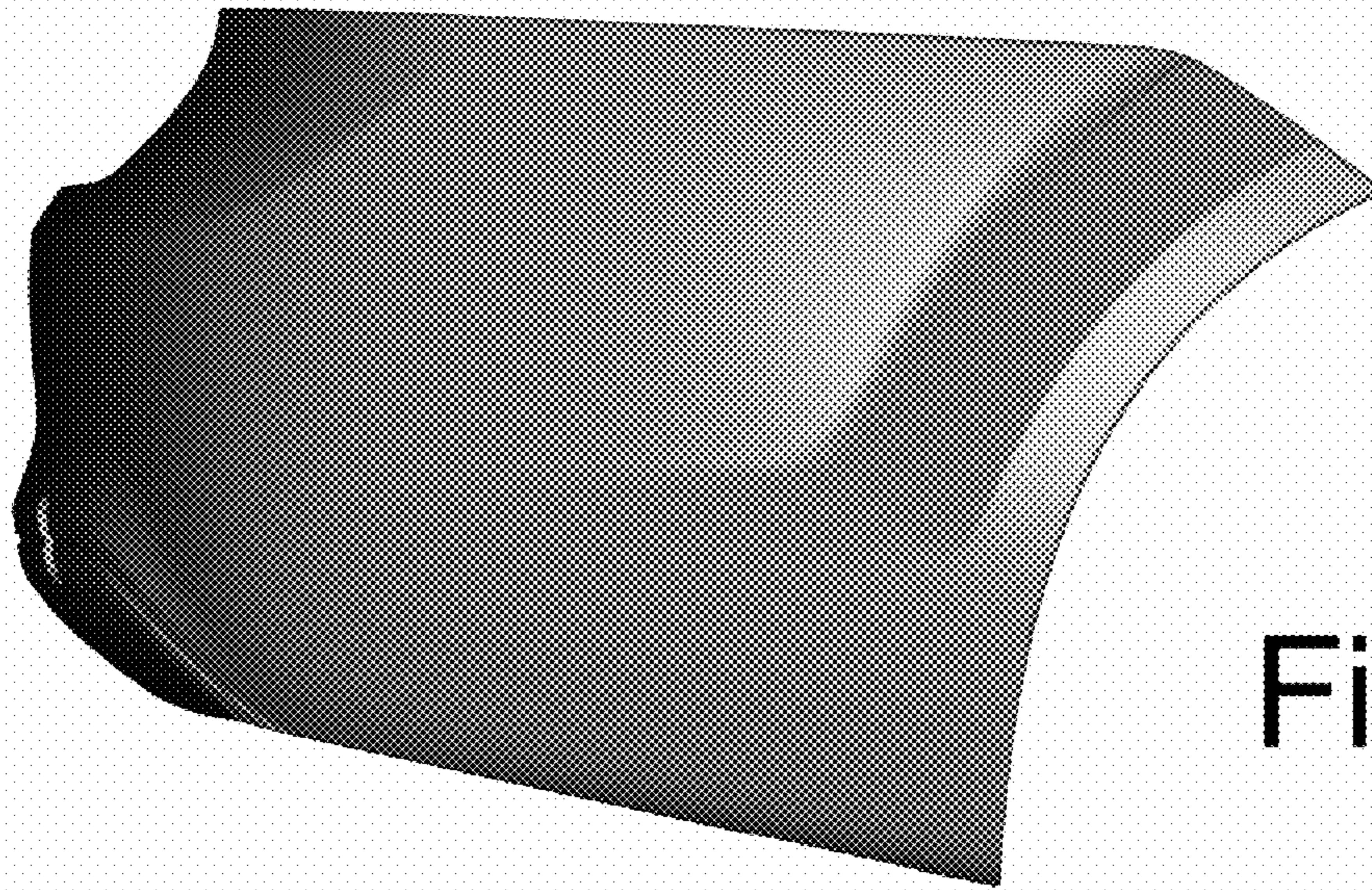


Fig 4

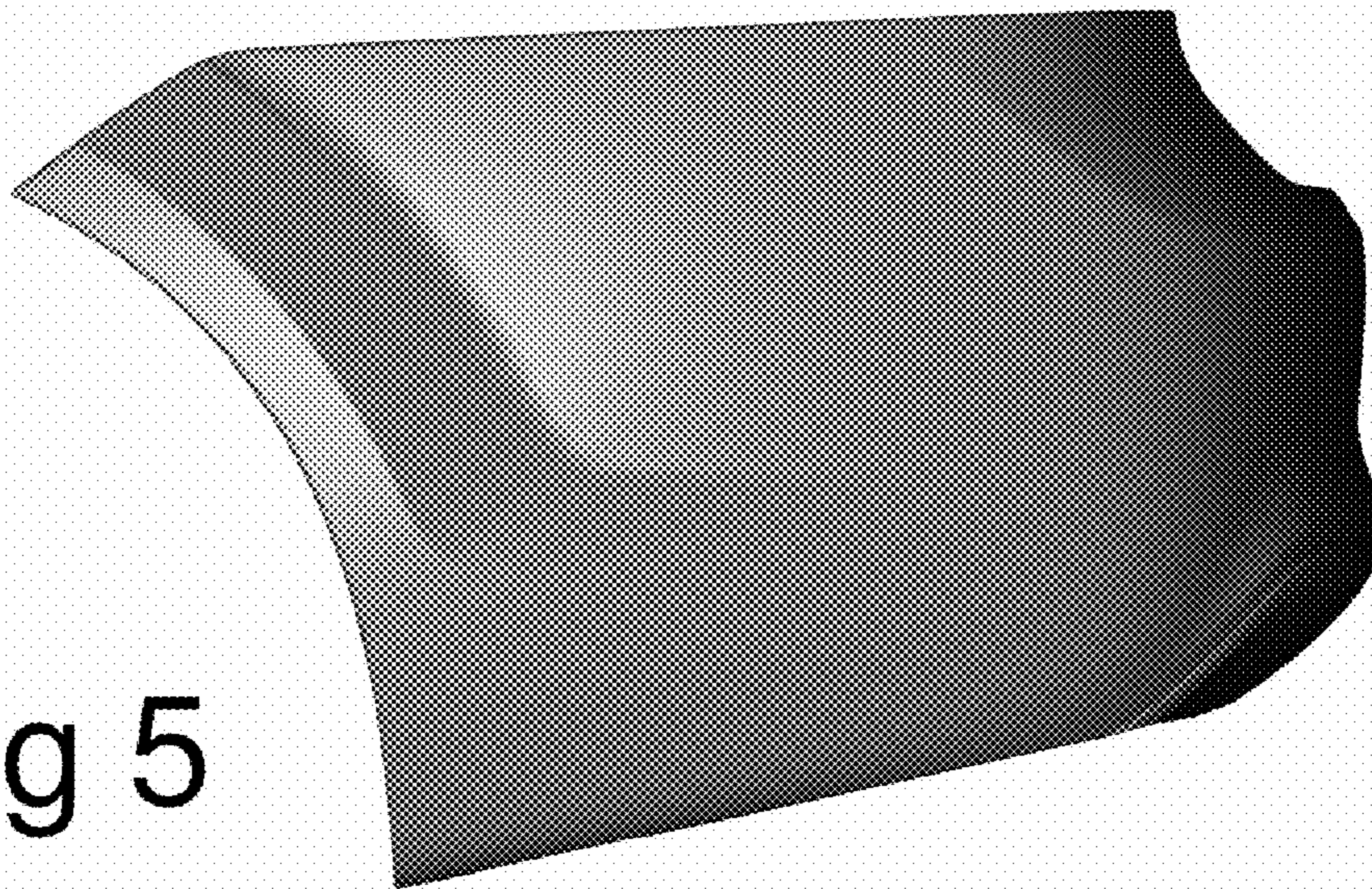


Fig 5

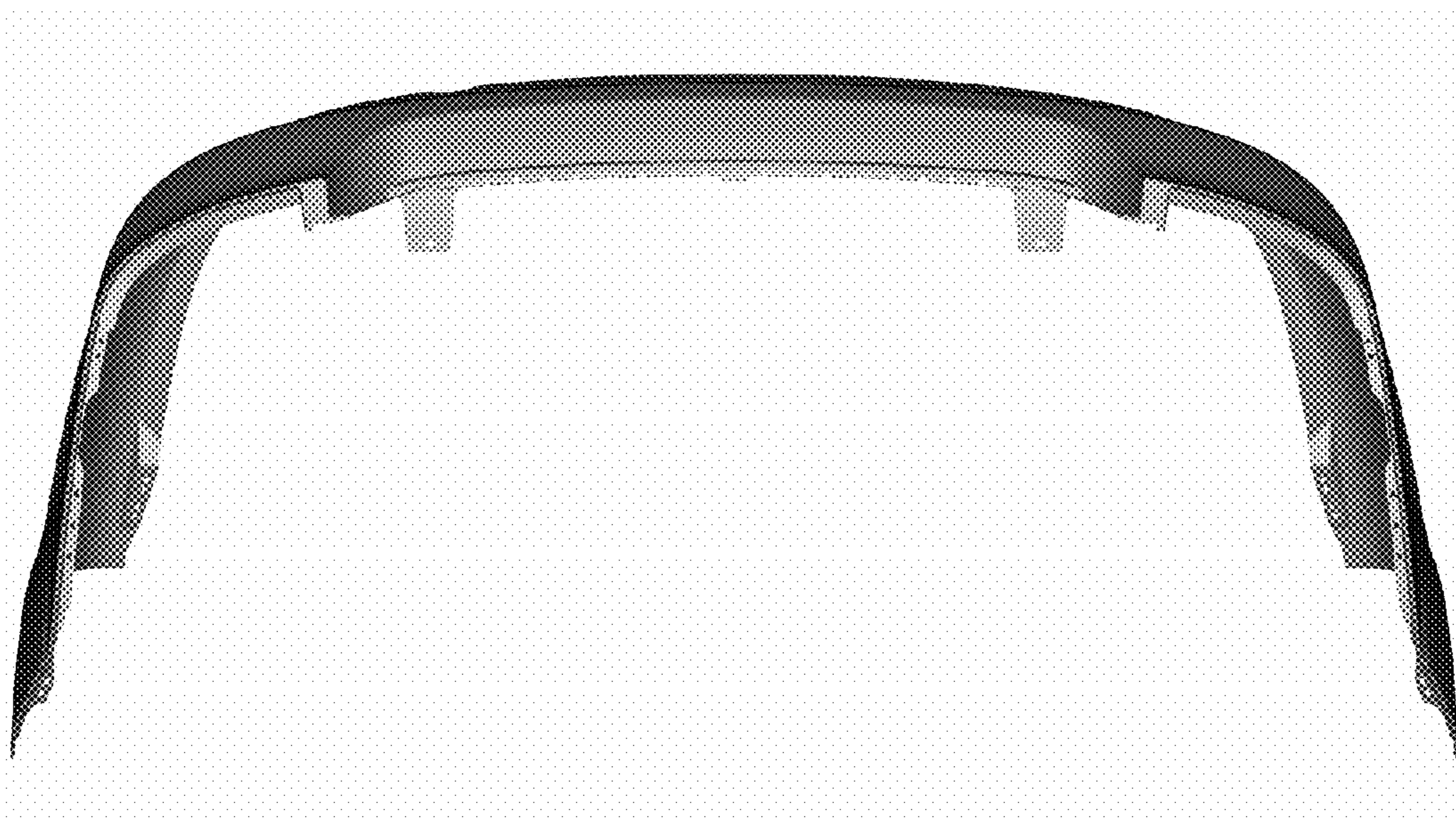


Fig 6

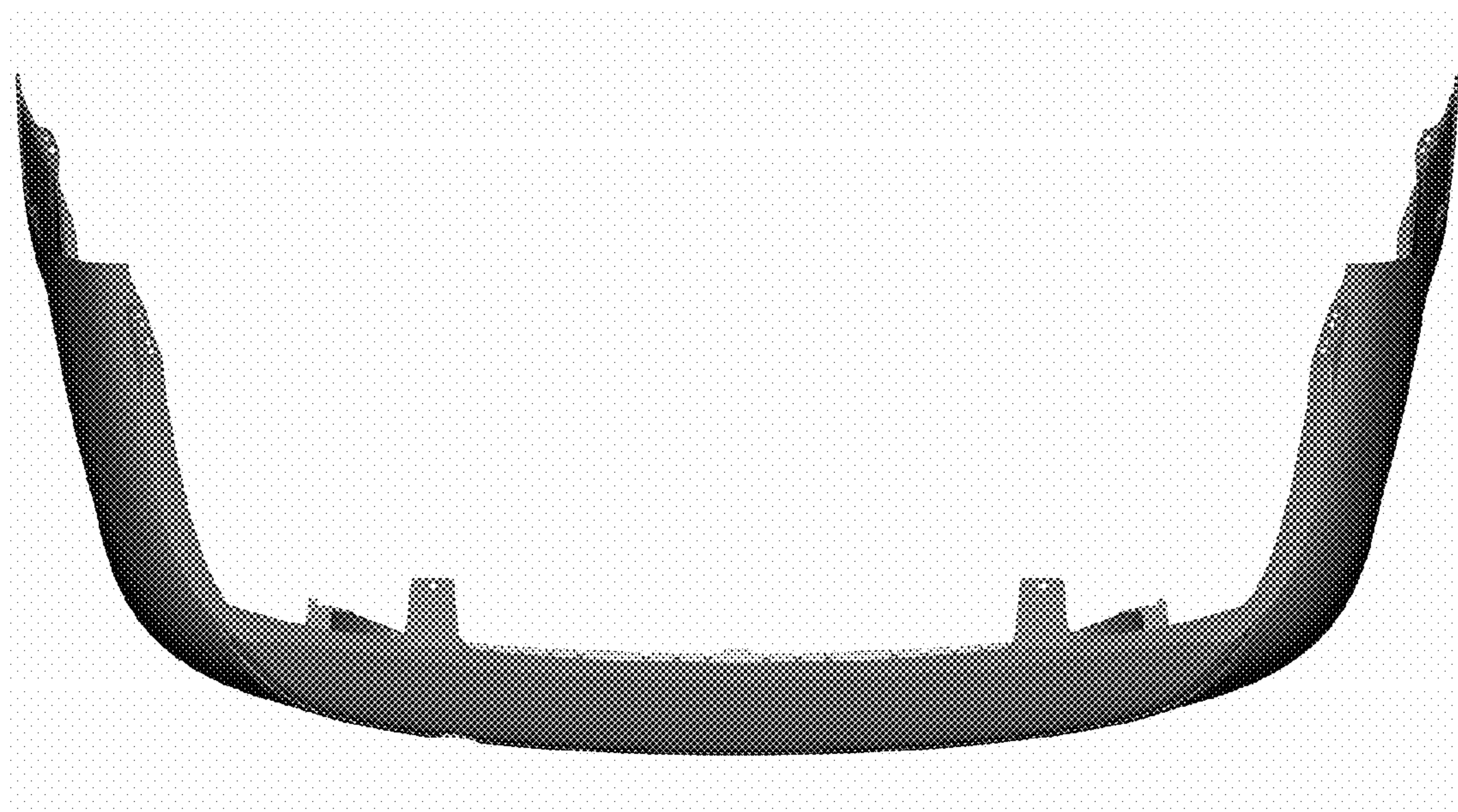


Fig 7