



US00D583728S

(12) **United States Design Patent**
Tonello

(10) **Patent No.:** **US D583,728 S**

(45) **Date of Patent:** **** Dec. 30, 2008**

(54) **VEHICLE FRONT BUMPER COVER**

(75) Inventor: **Domenico Tonello**, Köln-Esch (DE)

(73) Assignee: **Ford Global Technologies, LLC**,
Dearborn, MI (US)

(**) Term: **14 Years**

(21) Appl. No.: **29/303,553**

(22) Filed: **Feb. 12, 2008**

(30) **Foreign Application Priority Data**

Aug. 24, 2007 (CN) 2007 3 0150064

(51) **LOC (8) Cl.** **12-16**

(52) **U.S. Cl.** **D12/169**

(58) **Field of Classification Search** D12/169,
D12/196, 171, 163, 216, 90-92, 86; 293/102,
293/113, 115, 117, 120; 296/180.1, 180.2
See application file for complete search history.

(56) **References Cited**

U.S. PATENT DOCUMENTS

D500,270 S	12/2004	Otto	
D504,851 S *	5/2005	Hosoda et al.	D12/169
D508,879 S *	8/2005	Pfeiffer et al.	D12/169
D511,126 S *	11/2005	Tabata et al.	D12/169
D515,990 S *	2/2006	Nakamura	D12/169
D516,972 S *	3/2006	Baum	D12/169
D548,145 S	8/2007	Lamarre	
D561,659 S *	2/2008	Tabata et al.	D12/169
D561,660 S *	2/2008	Tabata et al.	D12/169
D575,693 S *	8/2008	Fukui et al.	D12/169

* cited by examiner

Primary Examiner—Melody N Brown

(74) *Attorney, Agent, or Firm*—Damian Porcari

(57) **CLAIM**

The ornamental design for a vehicle bumper cover, shown and described.

DESCRIPTION

The vehicle front bumper cover is styled independently of adjacent vehicle panels. To the extent that any feature lines are illustrated, they are intended to illustrate the crest and valley of the feature and are not necessarily sharp bends in the part. Shading is used to illustrate the curvature of the part and not color. Areas shown in or bounded by broken lines are not claimed. Any functional features of the vehicle front cover bumper are not claimed. Views are orthogonal projections unless otherwise noted. The various views are not necessarily to scale in order to better illustrate the design.

FIG. 1 is a perspective view of a vehicle front cover;

FIG. 2 is a rear elevational view of the vehicle front bumper cover;

FIG. 3 is a front elevational view of the vehicle front bumper cover;

FIG. 4 is a right side elevational view of the vehicle front bumper cover, enlarged to show detail;

FIG. 5 is a left side elevational view of the vehicle front bumper cover, enlarged to show detail;

FIG. 6 is a top plan view of the vehicle front bumper cover; and,

FIG. 7 is bottom plan view of the vehicle front bumper cover.

1 Claim, 6 Drawing Sheets

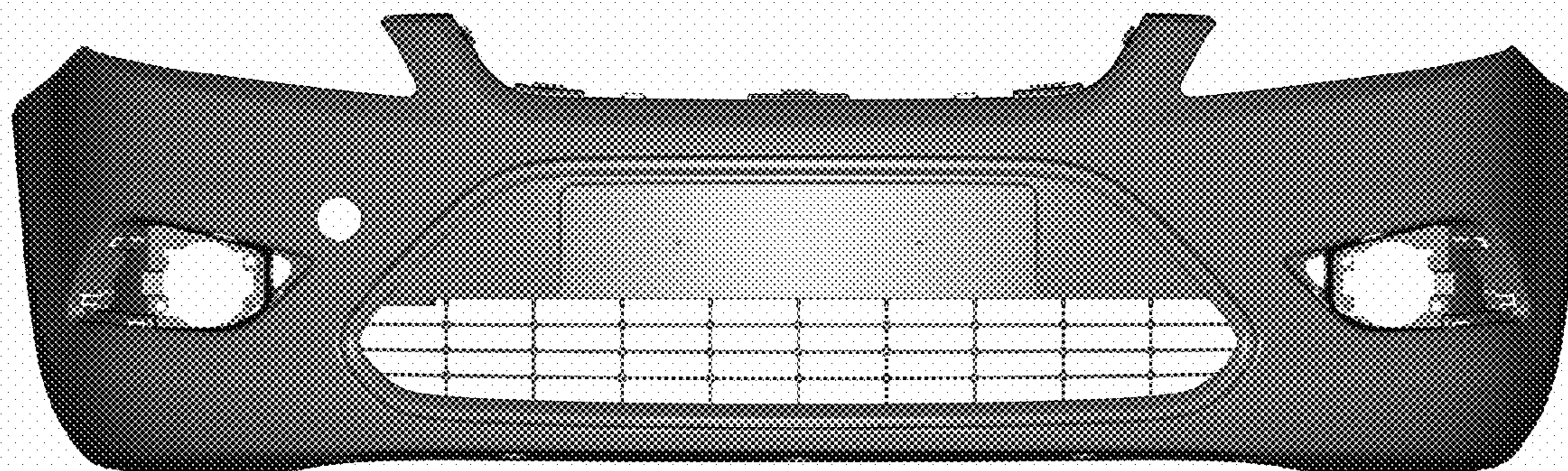




Fig 1

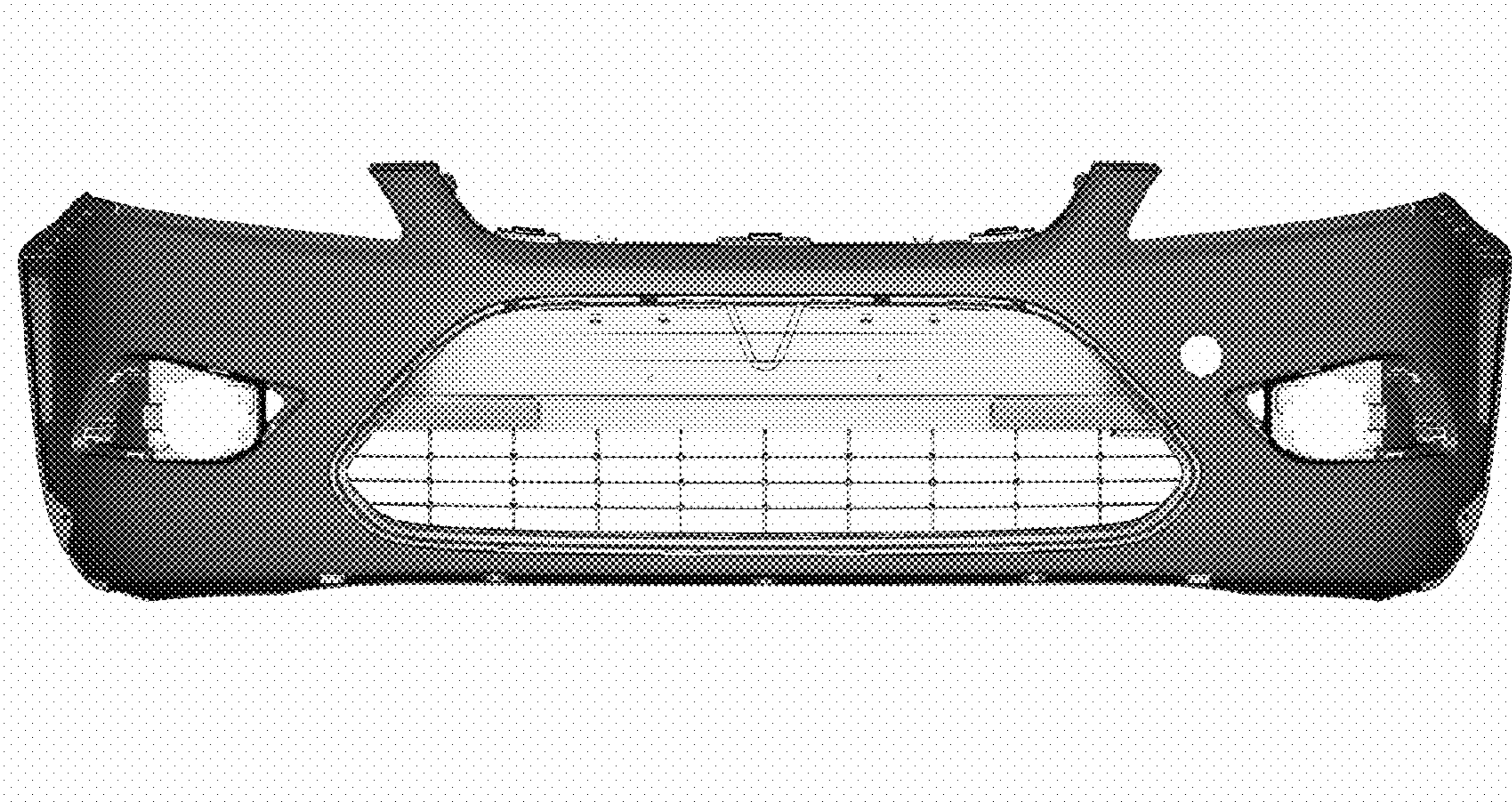


Fig 2

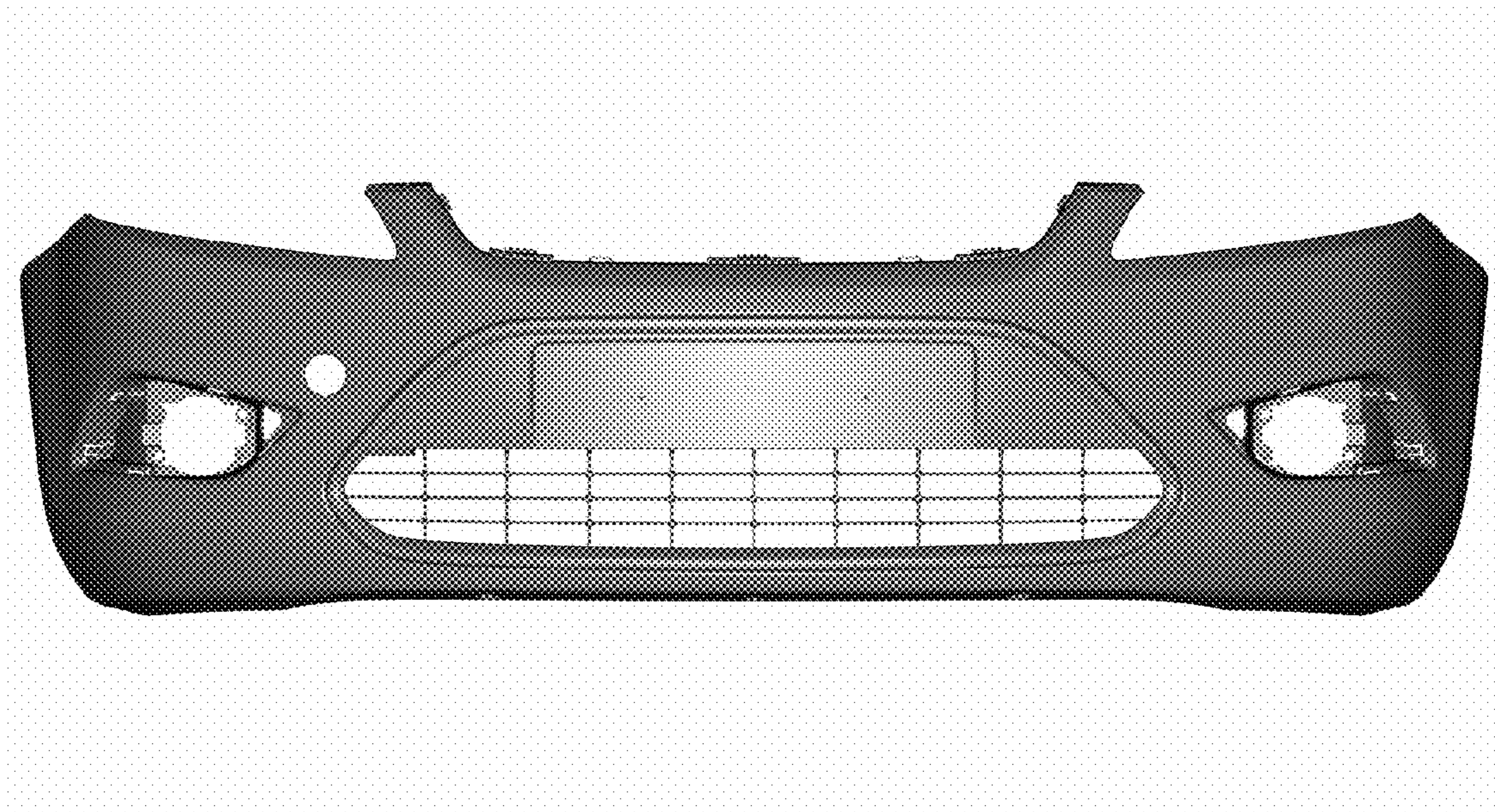


Fig 3

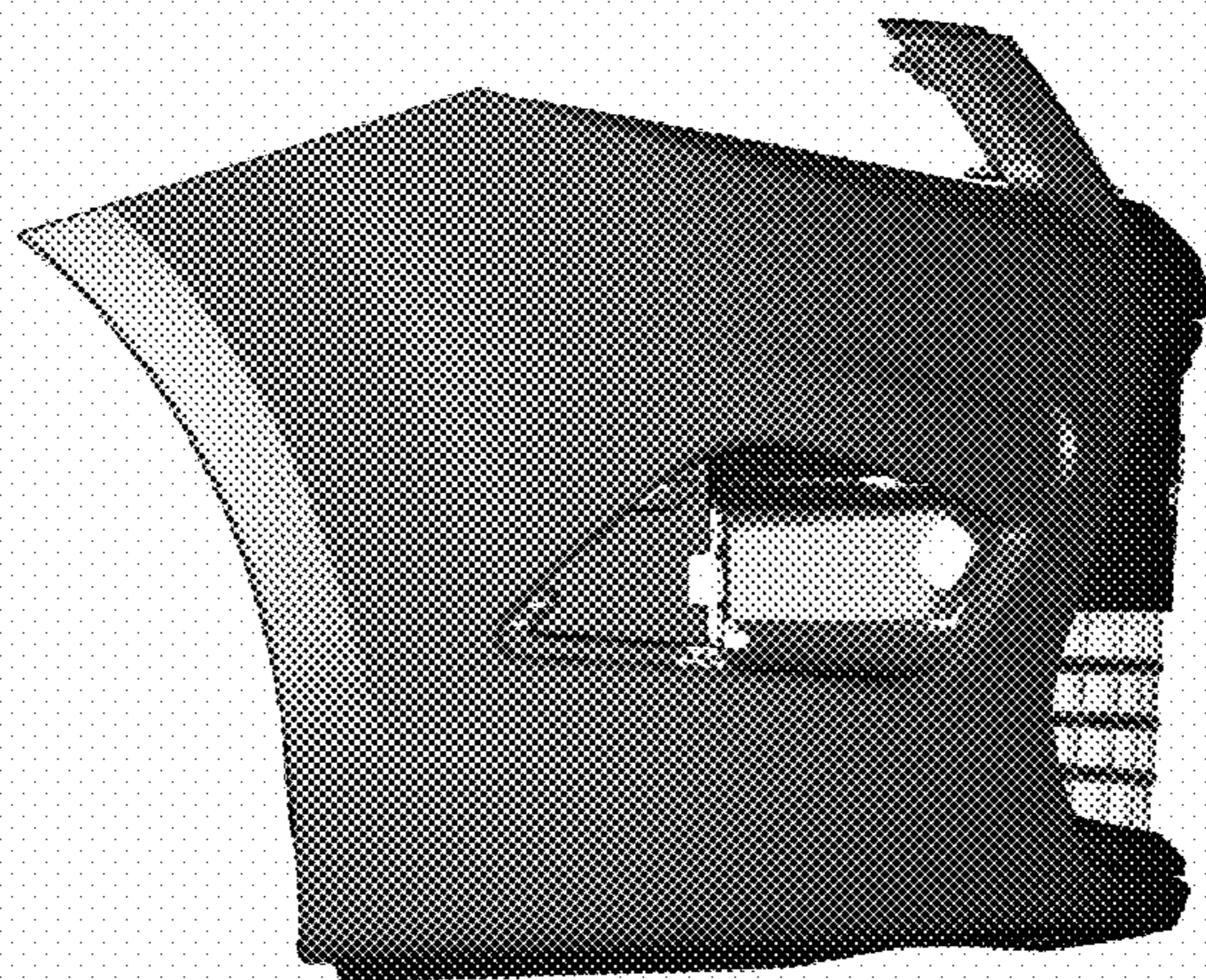


Fig 4

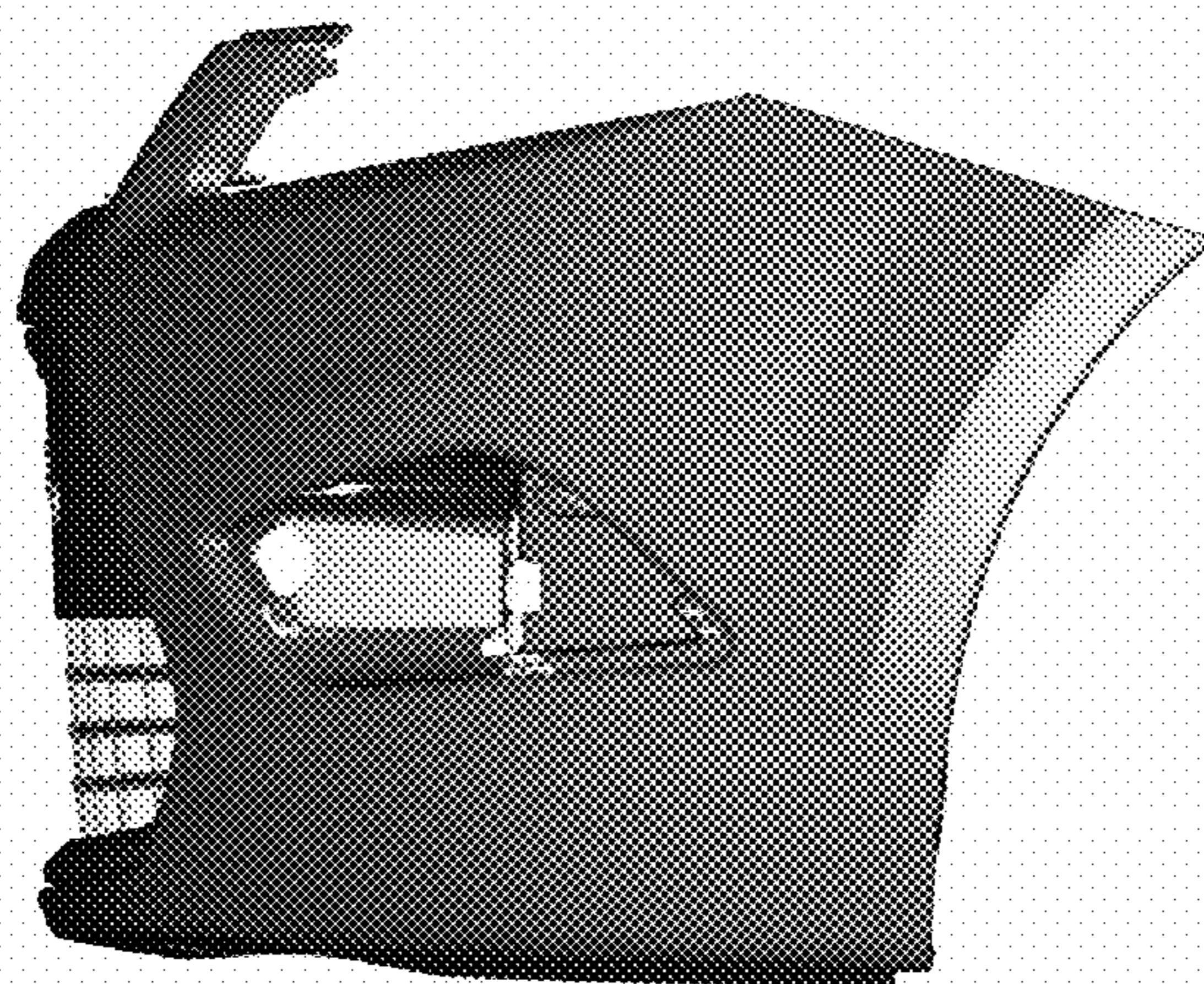


Fig 5

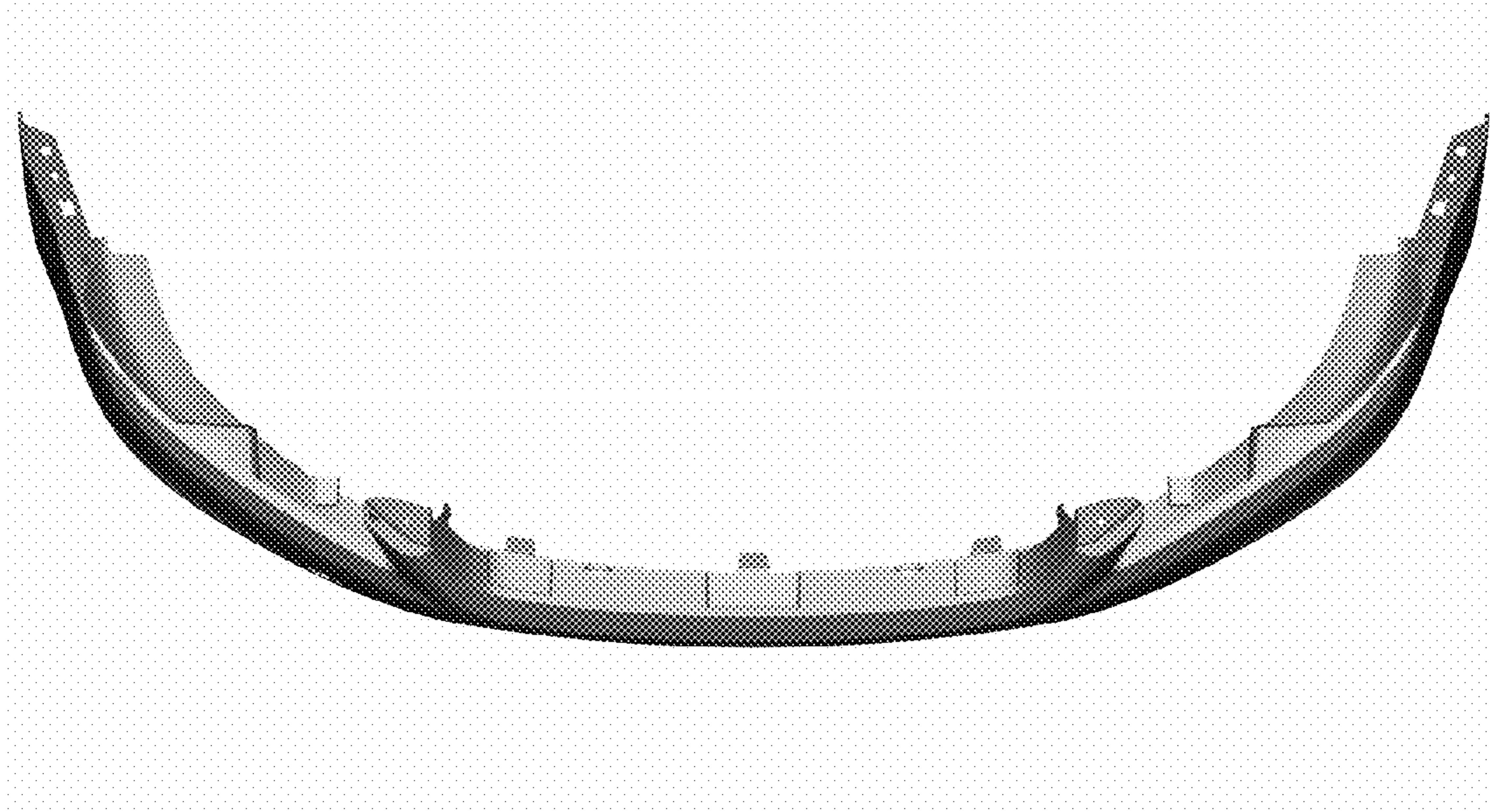


Fig 6

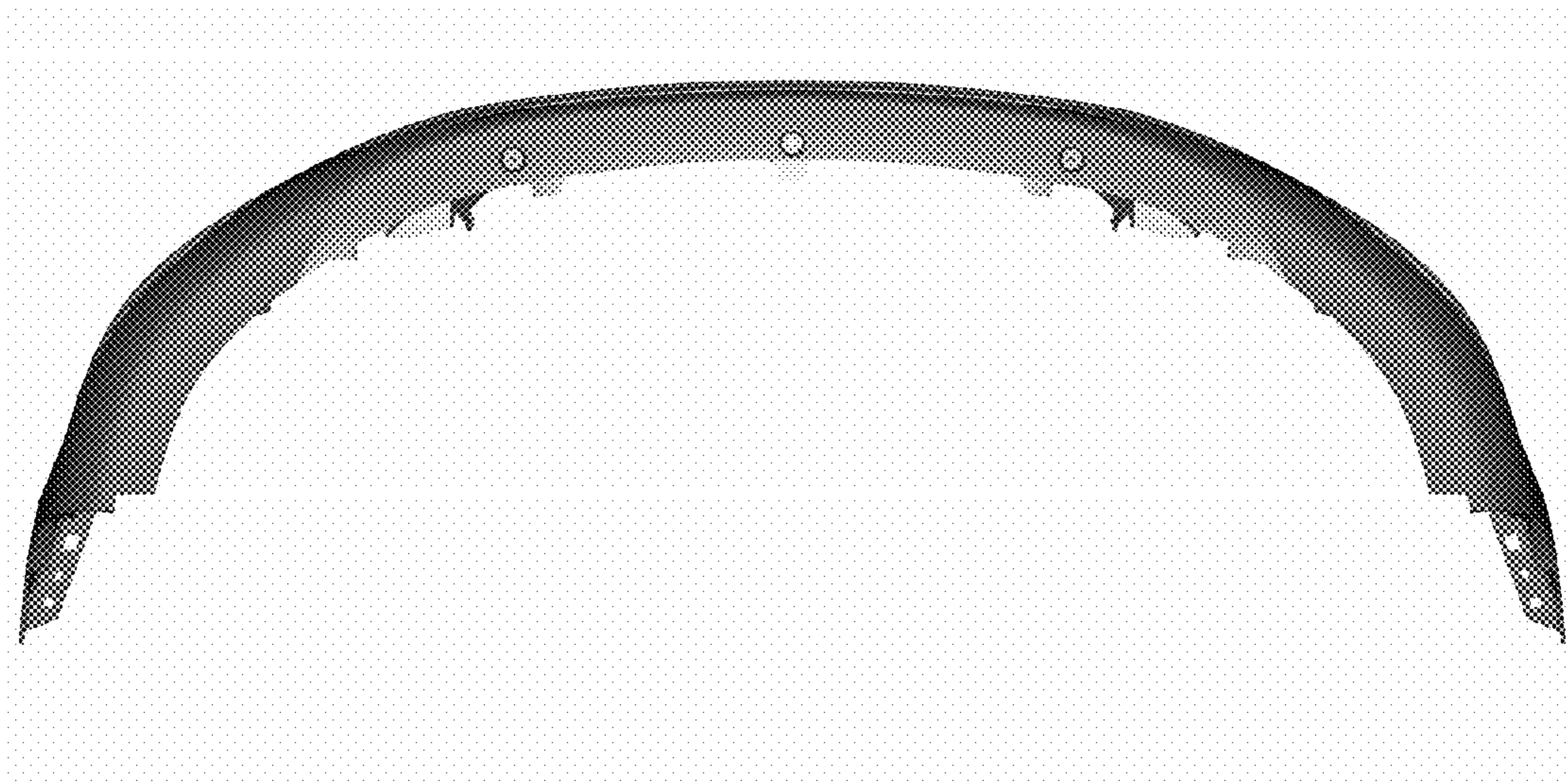


Fig 7