

US00D583726S

(12) **United States Design Patent**
Song et al.

(10) **Patent No.:** **US D583,726 S**
(45) **Date of Patent:** **** Dec. 30, 2008**

(54) **VEHICLE REAR BUMPER COVER**

(75) Inventors: **Solomon H Song**, Farmington Hills, MI (US); **Darrell Paul Behmer**, Novi, MI (US); **Moray Stuart Callum**, Ann Arbor, MI (US)

(73) Assignee: **Ford Motor Company**, Dearborn, MI (US)

(**) Term: **14 Years**

(21) Appl. No.: **29/295,957**

(22) Filed: **Oct. 11, 2007**

(51) **LOC (8) Cl.** **12-16**

(52) **U.S. Cl.** **D12/169**

(58) **Field of Classification Search** D12/169,
D12/196, 171, 163, 216, 90-92, 86; 293/102,
293/113, 115, 117, 120; 296/180.1, 180.2
See application file for complete search history.

(56) **References Cited**

U.S. PATENT DOCUMENTS

- D551,601 S * 9/2007 Tabata et al. D12/169
- D555,551 S * 11/2007 Kaoud et al. D12/169
- D561,071 S * 2/2008 Golden et al. D12/169
- D570,263 S * 6/2008 Tachibana D12/169

OTHER PUBLICATIONS

- Detroit Auto Show: A conversation with Peter Horbury, Detroit 2007, <http://www.autoblog.com> (18 pages).
- Lincoln Concept MKR, Detroit 2007 (4 pages).
- Popular Mechanics, Lincoln MKS, Town Car Successor, May 21, 2007 <http://www.popularmechanics.com> (1 page).
- Winding Road, Spied: Lincoln MKS Sedan, Apr. 18, 2007 <http://news.windingroad.com> (2 pages).

Lincoln Concept Zephyr, Detroit 2005 (4 pages).
Lincoln Concept MKS, Detroit 2006 (4 pages).
Lincoln MKS AWD (P) 4dr Sedan, New York 2007 (4 pages).

* cited by examiner

Primary Examiner—Melody N Brown
(74) *Attorney, Agent, or Firm*—Damian Porcari

(57) **CLAIM**

The ornamental design for a vehicle rear bumper cover, as shown and described.

DESCRIPTION

FIG. 1 is a rear elevational view of a vehicle rear bumper cover;

FIG. 2 is a left side elevational view of the vehicle rear bumper cover;

FIG. 3 is a right side elevational view of the vehicle rear bumper cover;

FIG. 4 is a top plan view of the vehicle rear bumper cover;

FIG. 5 is a bottom plan view of the vehicle rear bumper cover; and,

FIG. 6 is rear view of the vehicle rear bumper cover.

The vehicle rear bumper cover is styled independently of adjacent vehicle panels. To the extent that any feature lines are illustrated, they are intended to illustrate the crest and valley of the feature and are not necessarily sharp bends in the part. Shading is used to illustrate the curvature of the part and not color. Areas shown in or sounded by broken lines are not claimed. Any functional features of the vehicle rear bumper cover are not claimed. Views are orthogonal projections unless otherwise noted. The various view are not necessarily to scale in order to better illustrate the design.

1 Claim, 6 Drawing Sheets

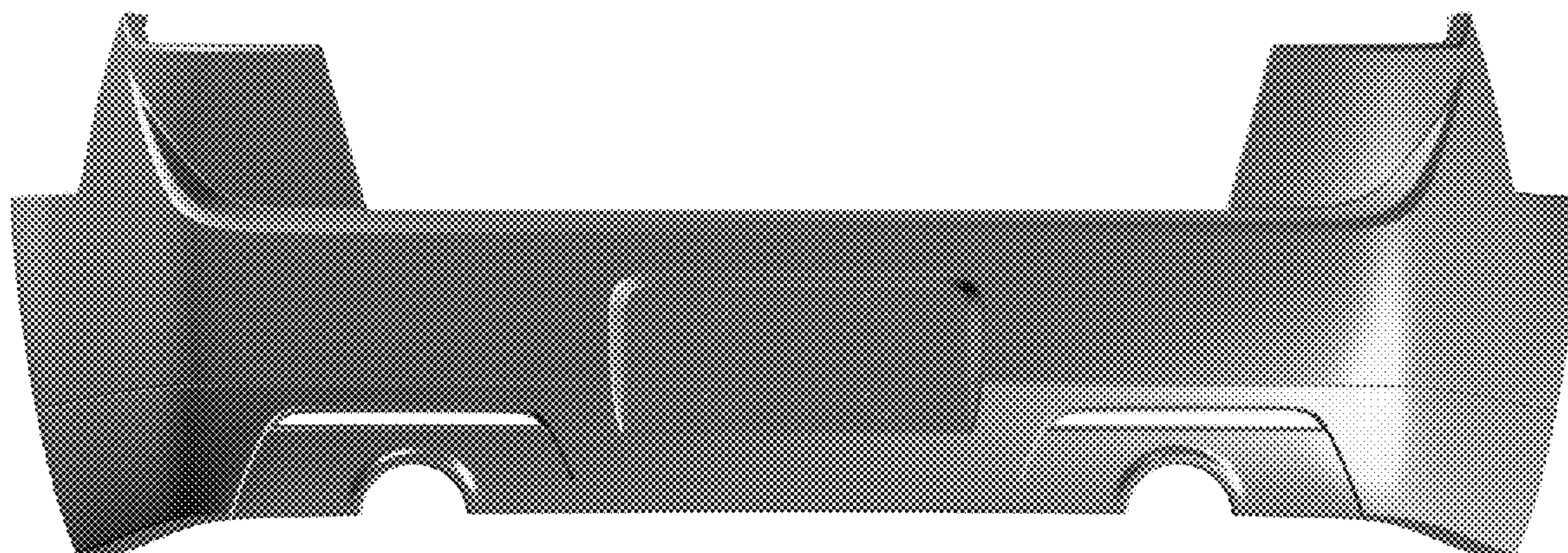




Figure 1

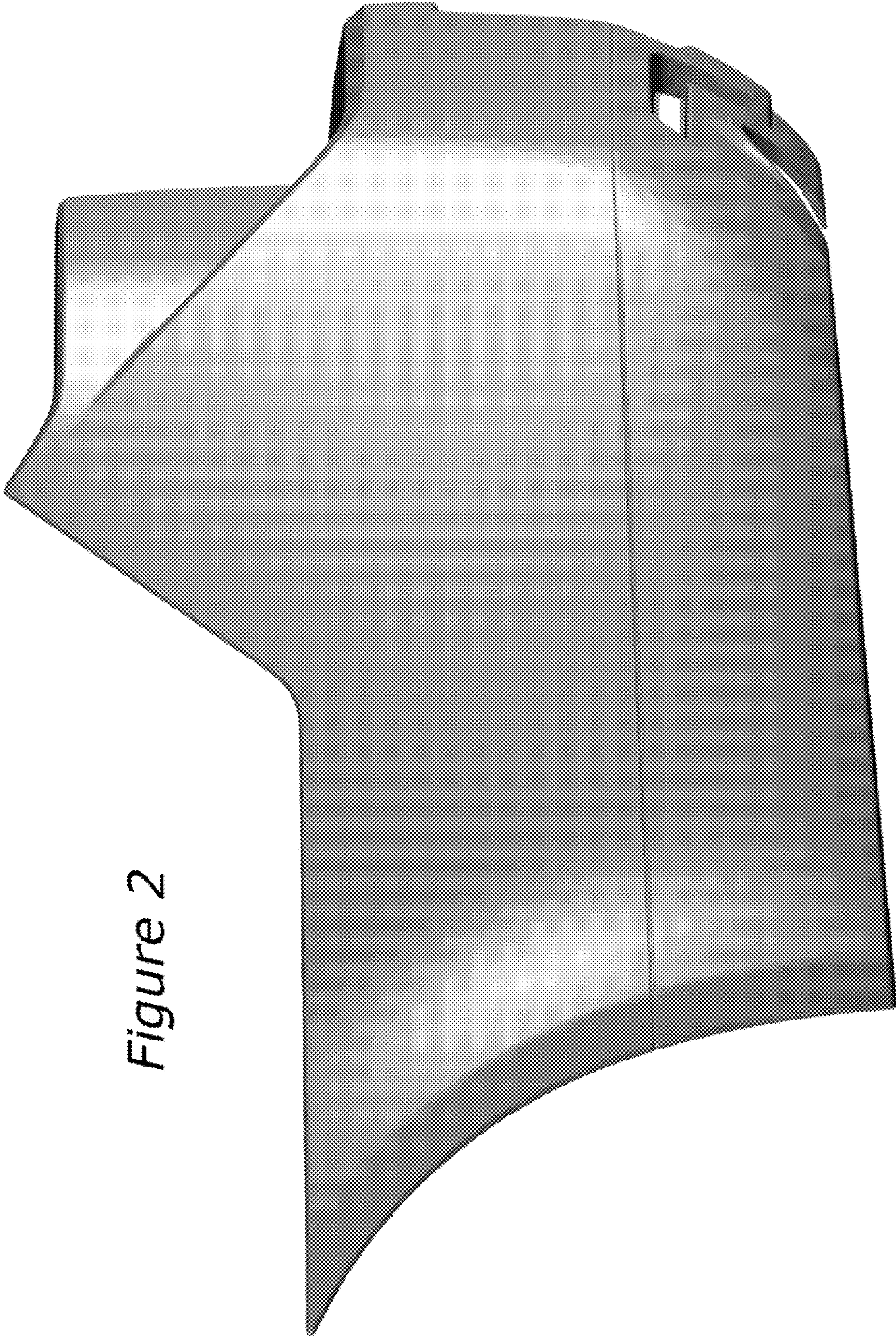
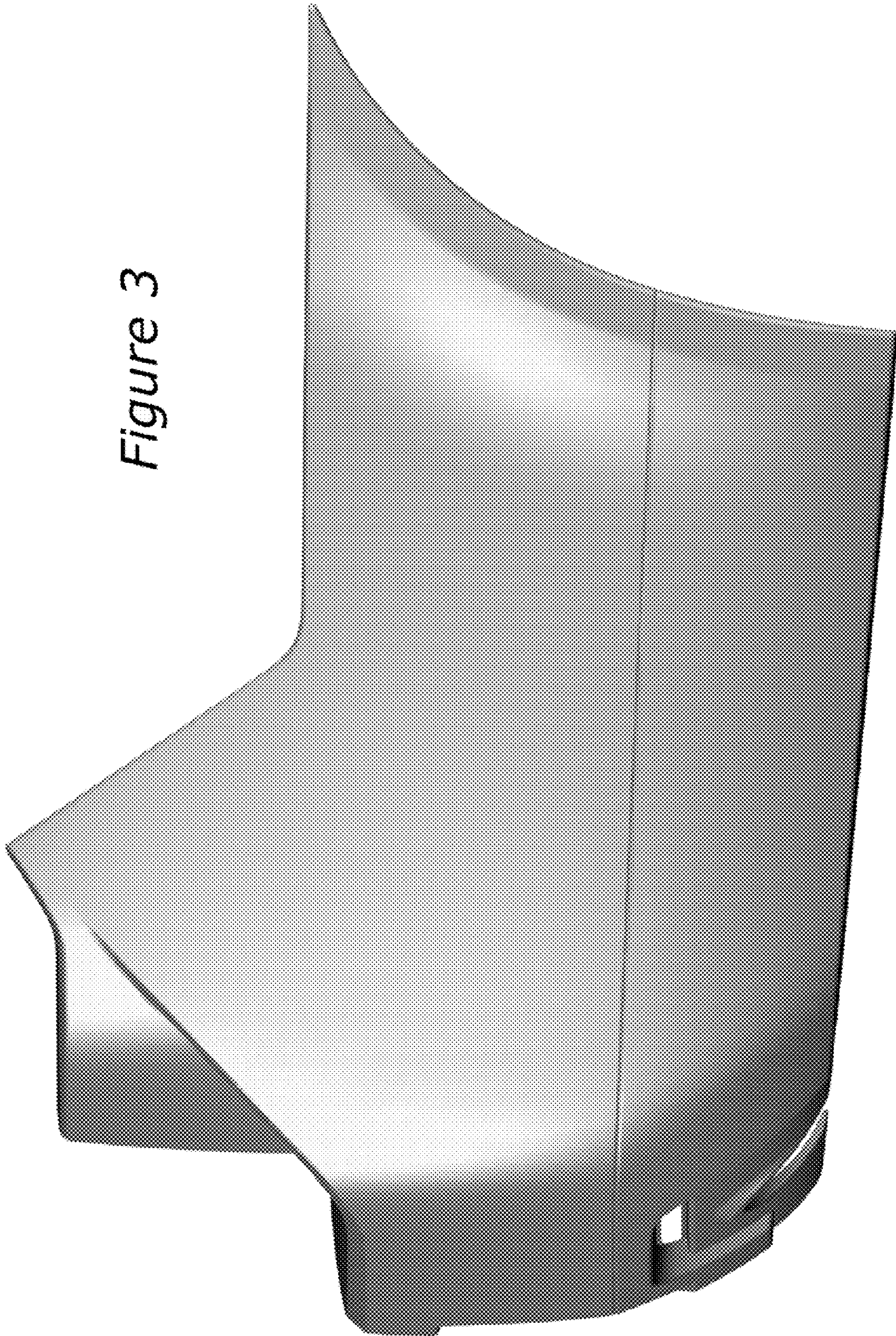


Figure 2

Figure 3



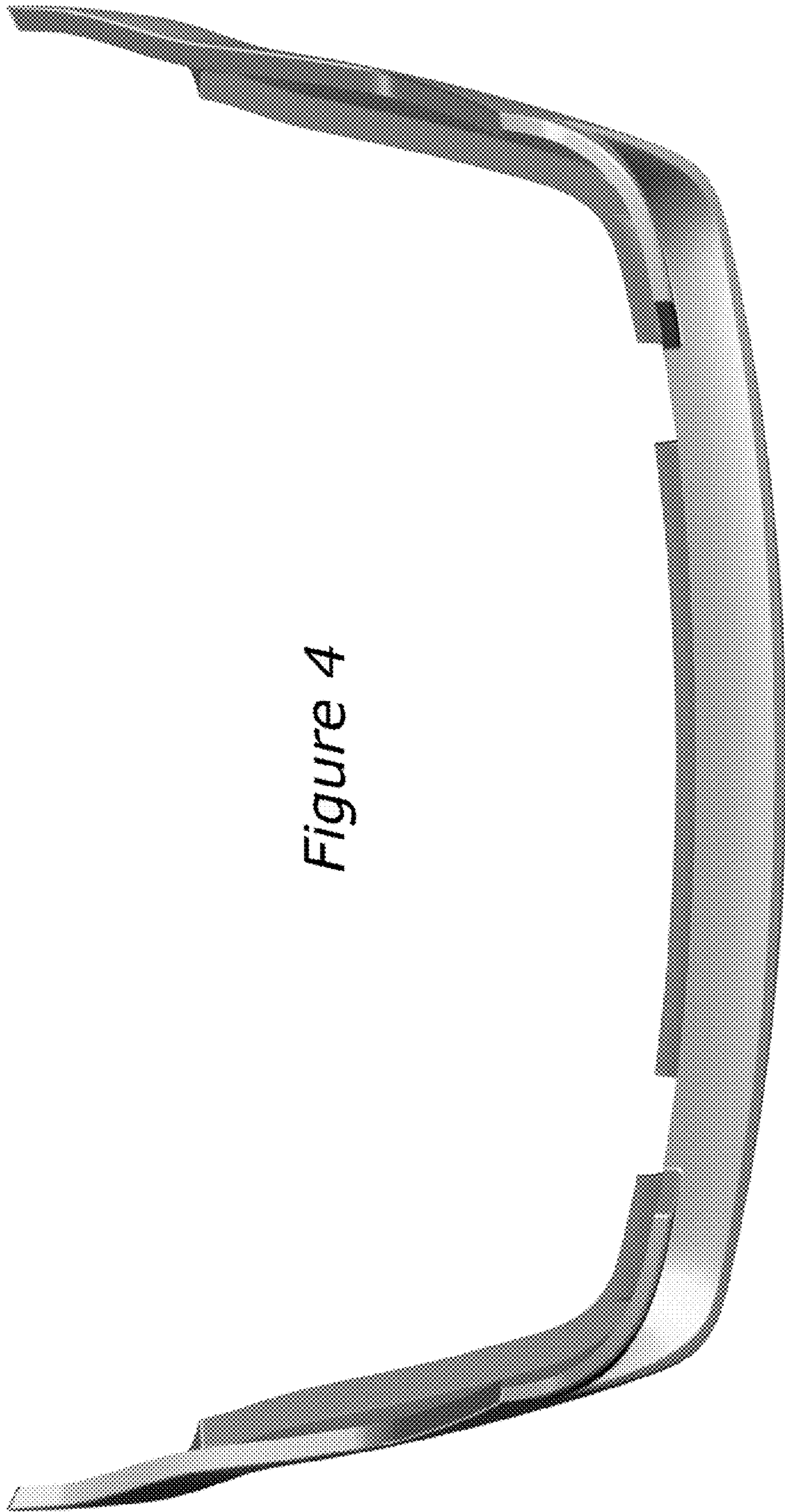


Figure 4



Figure 5

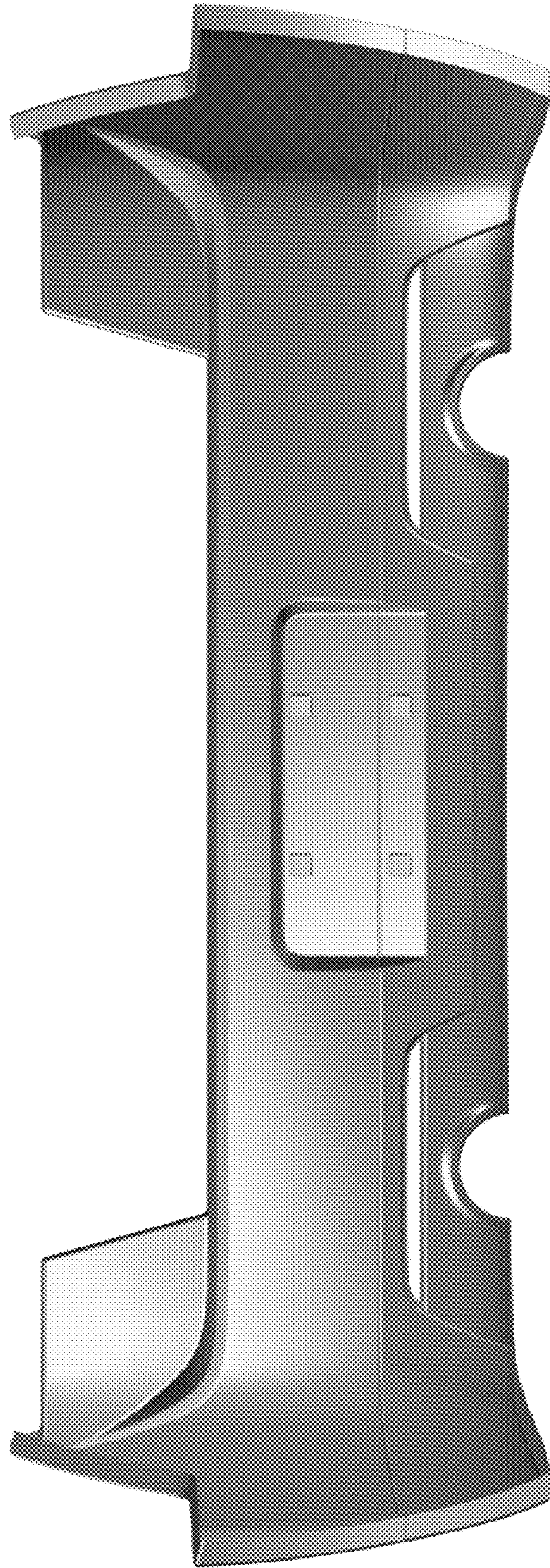


Figure 6