



US00D583721S

(12) **United States Design Patent**  
**Choi et al.**

(10) **Patent No.:** **US D583,721 S**  
(45) **Date of Patent:** **\*\* Dec. 30, 2008**

(54) **VEHICLE GRILLE**

D571,693 S \* 6/2008 Ishii ..... D12/163

(75) Inventors: **Young Choi**, Redondo Beach, CA (US);  
**Roger Brown**, Corona, CA (US); **Jason**  
**Pope**, Canyon Country, CA (US)

\* cited by examiner

*Primary Examiner*—Melody N Brown  
(74) *Attorney, Agent, or Firm*—Plumsea Law Group, LLC;  
Mark E. Duell

(73) Assignee: **Honda Motor Co., Ltd.**, Tokyo (JP)

(\*\*) Term: **14 Years**

(57) **CLAIM**

(21) Appl. No.: **29/298,848**

The ornamental design for a vehicle grille, as shown and described.

(22) Filed: **Dec. 13, 2007**

**DESCRIPTION**

(51) **LOC (8) Cl.** ..... **12-16**

(52) **U.S. Cl.** ..... **D12/163**

(58) **Field of Classification Search** ..... D12/163,  
D12/171, 196, 216, 90-92, 86; 180/68.1,  
180/68.6; 296/193.11

FIG. 1 is a front elevational view of a vehicle grille showing our new design;

FIG. 2 is a front perspective view thereof; and,

FIG. 3 is a cross-sectional view thereof taken through line 3—3 in FIG. 1.

See application file for complete search history.

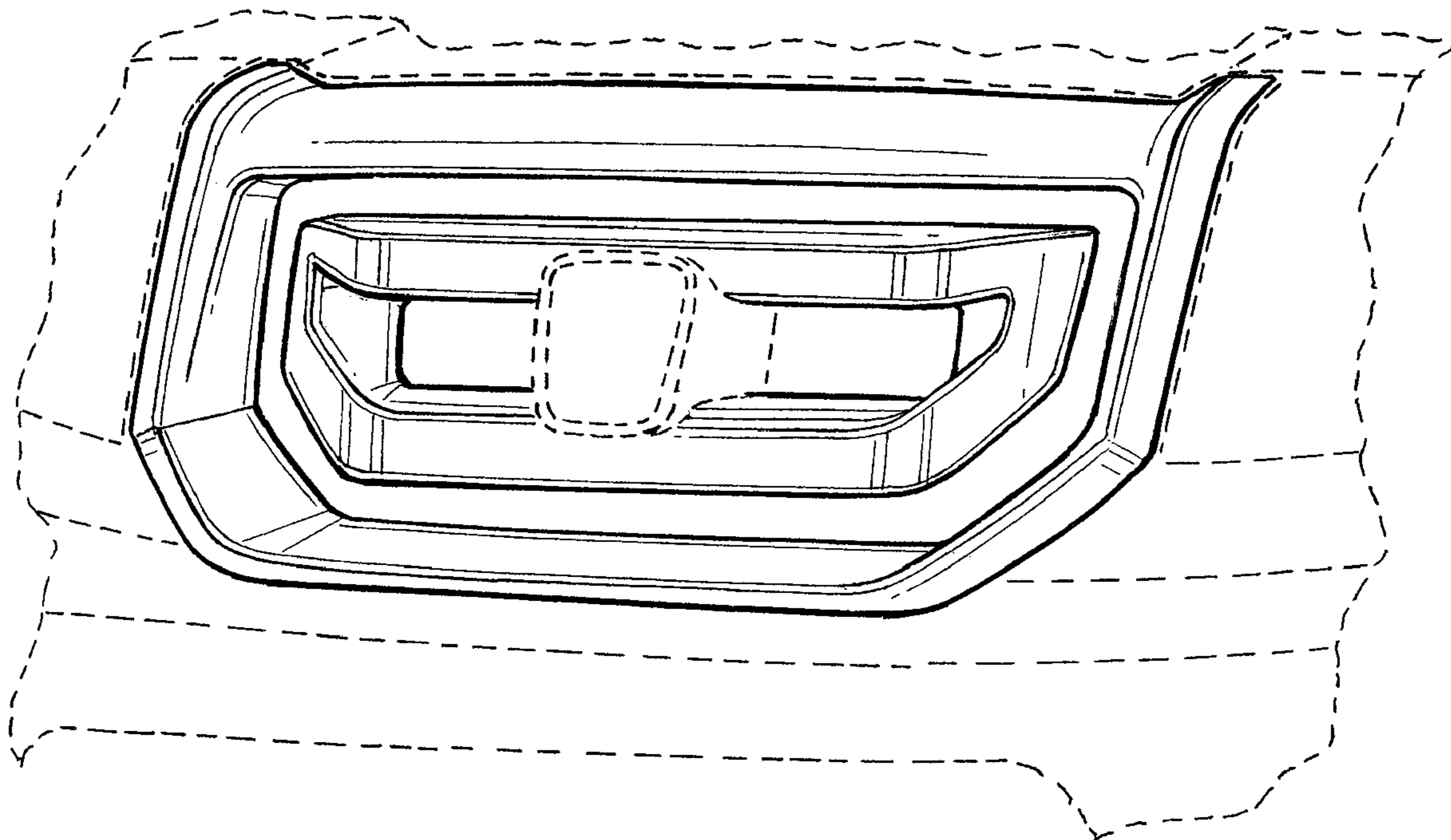
The broken line showings of the center marquee, and the areas surrounding the grille are for illustrative purposes only and form no part of the claimed design.

(56) **References Cited**

**U.S. PATENT DOCUMENTS**

D540,721 S \* 4/2007 Wagner et al. .... D12/163  
D557,641 S \* 12/2007 Davidson ..... D12/163

**1 Claim, 2 Drawing Sheets**



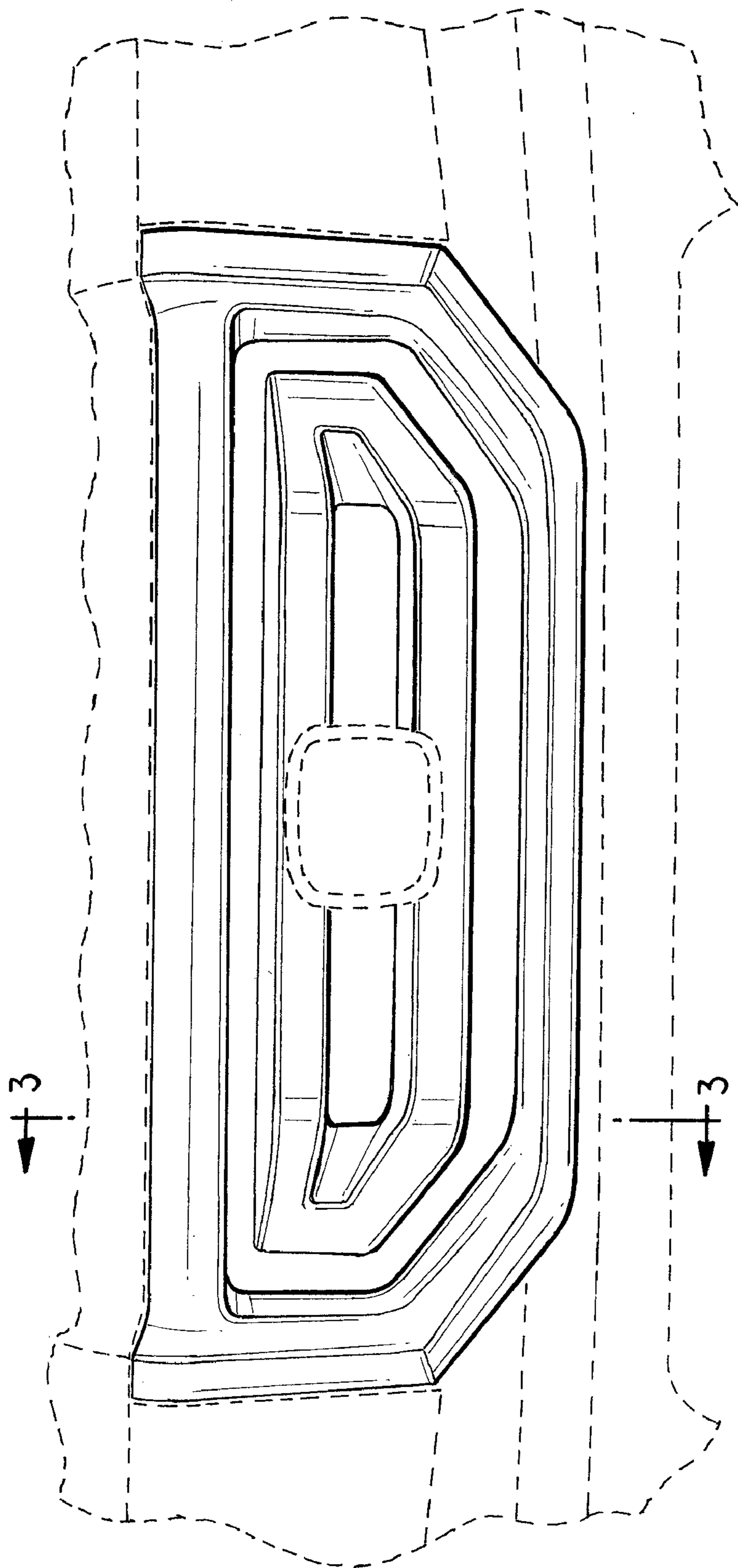


FIG. 1

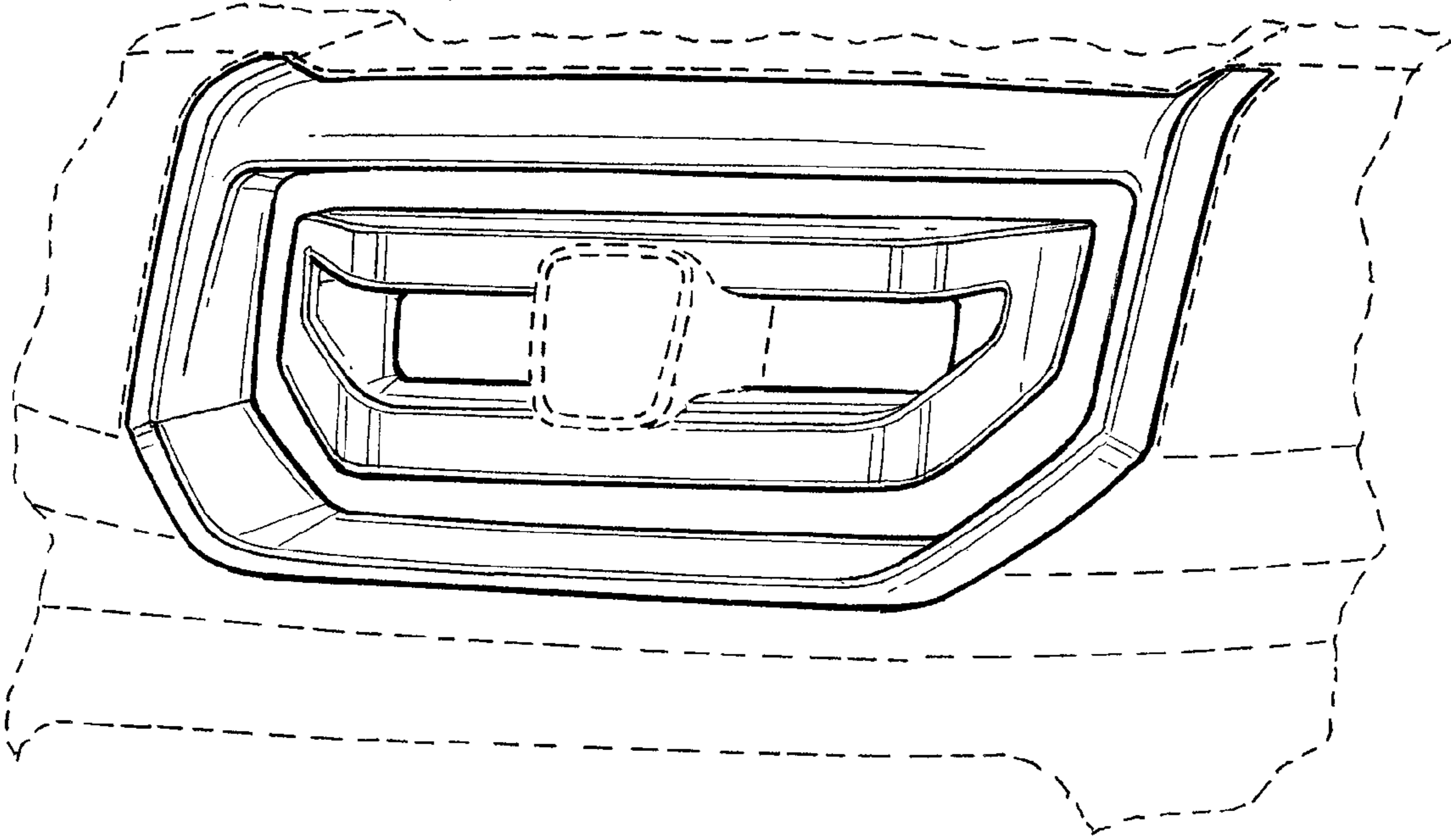


FIG. 2

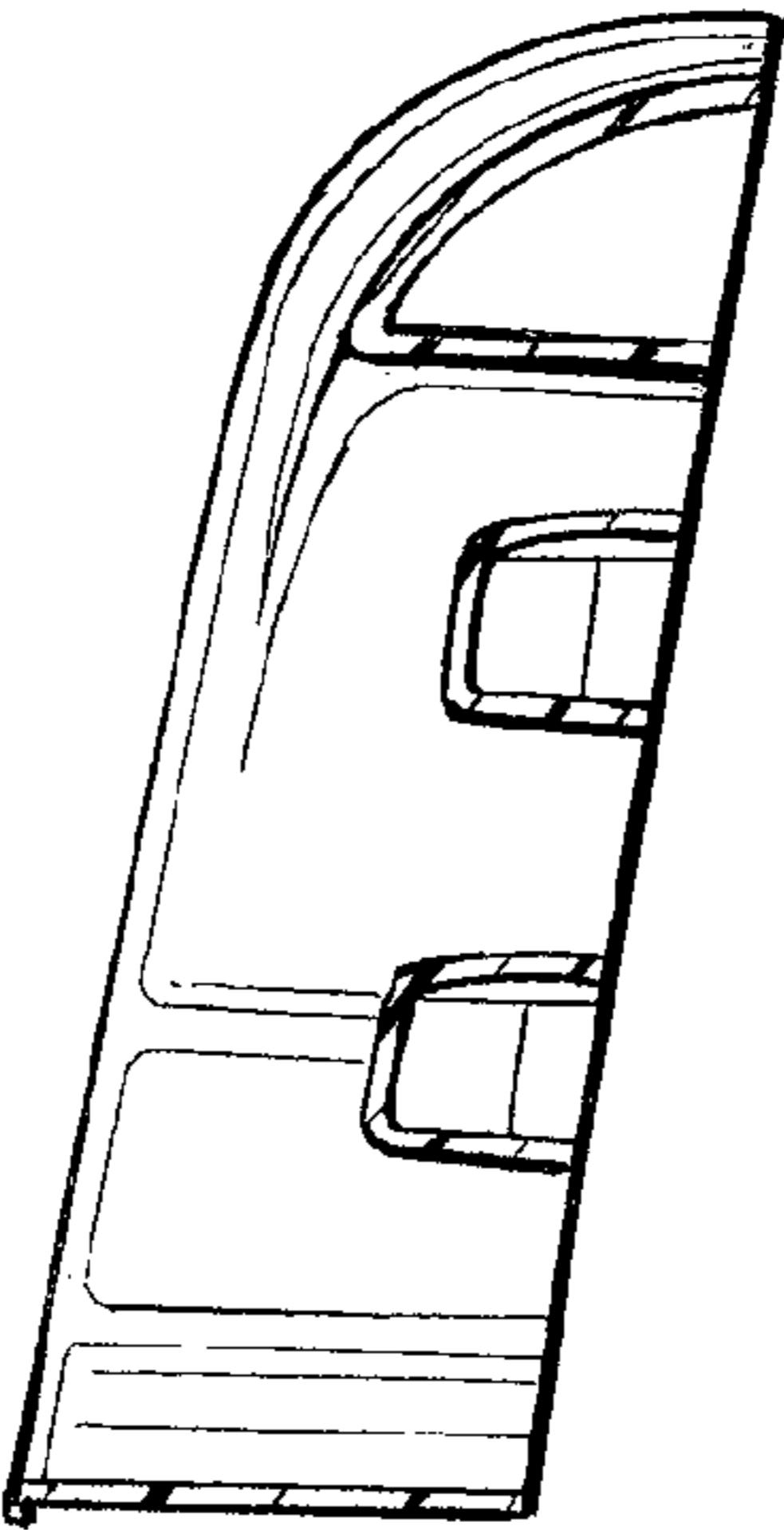


FIG. 3