



US00D583720S

(12) **United States Design Patent**  
**Nankervis**

(10) **Patent No.:** **US D583,720 S**  
(45) **Date of Patent:** **\*\* Dec. 30, 2008**

(54) **TOW BAR ATTACHMENT**

(76) Inventor: **Peter Bruce Nankervis**, 12 Kyla St.,  
Alsonville (AU) 2477

(\*\*) Term: **14 Years**

(21) Appl. No.: **29/278,061**

(22) Filed: **Mar. 19, 2007**

(30) **Foreign Application Priority Data**

Sep. 22, 2006 (AU) ..... 311044

(51) **LOC (8) Cl.** ..... **12-16**

(52) **U.S. Cl.** ..... **D12/162**

(58) **Field of Classification Search** ..... D12/106,  
D12/162, 400, 401, 403; 280/495, 507, 511,  
280/727, 769; 40/200, 204, 205, 209, 211,  
40/575, 590, 591; D26/28, 31, 34, 36; 224/527,  
224/522, 524

See application file for complete search history.

(56) **References Cited**

**U.S. PATENT DOCUMENTS**

|           |     |         |                    |          |
|-----------|-----|---------|--------------------|----------|
| 1,834,775 | A   | 12/1931 | Hall               |          |
| 2,605,073 | A   | 7/1952  | Glenn              |          |
| 2,765,999 | A   | 10/1956 | Baker              |          |
| 2,833,503 | A   | 5/1958  | Harshbarger et al. |          |
| 3,270,997 | A   | 9/1966  | Gethmann           |          |
| 3,368,784 | A   | 2/1968  | Peterson           |          |
| 4,167,255 | A   | 9/1979  | Benson             |          |
| 4,172,579 | A   | 10/1979 | Steinman           |          |
| 4,969,620 | A   | 11/1990 | Plummer            |          |
| D323,716  | S   | 2/1992  | Shook et al.       |          |
| 543,234   | A   | 8/1995  | Woods              |          |
| 5,568,757 | A * | 10/1996 | Lewis              | 81/177.2 |
| D448,717  | S * | 10/2001 | Hanson et al.      | D12/223  |
| D449,029  | S * | 10/2001 | Hanson et al.      | D12/223  |

|              |      |         |               |         |
|--------------|------|---------|---------------|---------|
| D449,268     | S *  | 10/2001 | Hanson et al. | D12/223 |
| D455,067     | S    | 4/2002  | Shea          |         |
| D458,196     | S *  | 6/2002  | McCoy et al.  | D12/162 |
| 6,626,020    | B2 * | 9/2003  | Kawada et al. | 72/67   |
| 6,974,148    | B2 * | 12/2005 | Moss et al.   | 280/511 |
| 7,004,492    | B2 * | 2/2006  | Moss et al.   | 280/511 |
| 2003/1012205 |      | 7/2003  | Huang et al.  |         |

**FOREIGN PATENT DOCUMENTS**

|    |                |         |
|----|----------------|---------|
| AU | 677359         | 4/1997  |
| AU | 752963         | 10/2002 |
| DE | 8911958        | 2/1990  |
| EP | 0280651        | 8/1998  |
| FR | 658105         | 5/1929  |
| FR | 1400561        | 12/1965 |
| GB | 934767         | 8/1963  |
| WO | WO95/14372     | 6/1995  |
| WO | WO 2004/095983 | 11/2004 |

\* cited by examiner

*Primary Examiner*—Louis S Zarfaz  
*Assistant Examiner*—Michael A Pratt  
(74) *Attorney, Agent, or Firm*—King & Schicklli PLLC

(57) **CLAIM**

The ornamental design for a tow bar attachment, as shown and described.

**DESCRIPTION**

FIG. 1 is a front isometric view of the tow bar attachment of the present invention.

FIG. 2 is a rear isometric view thereof.

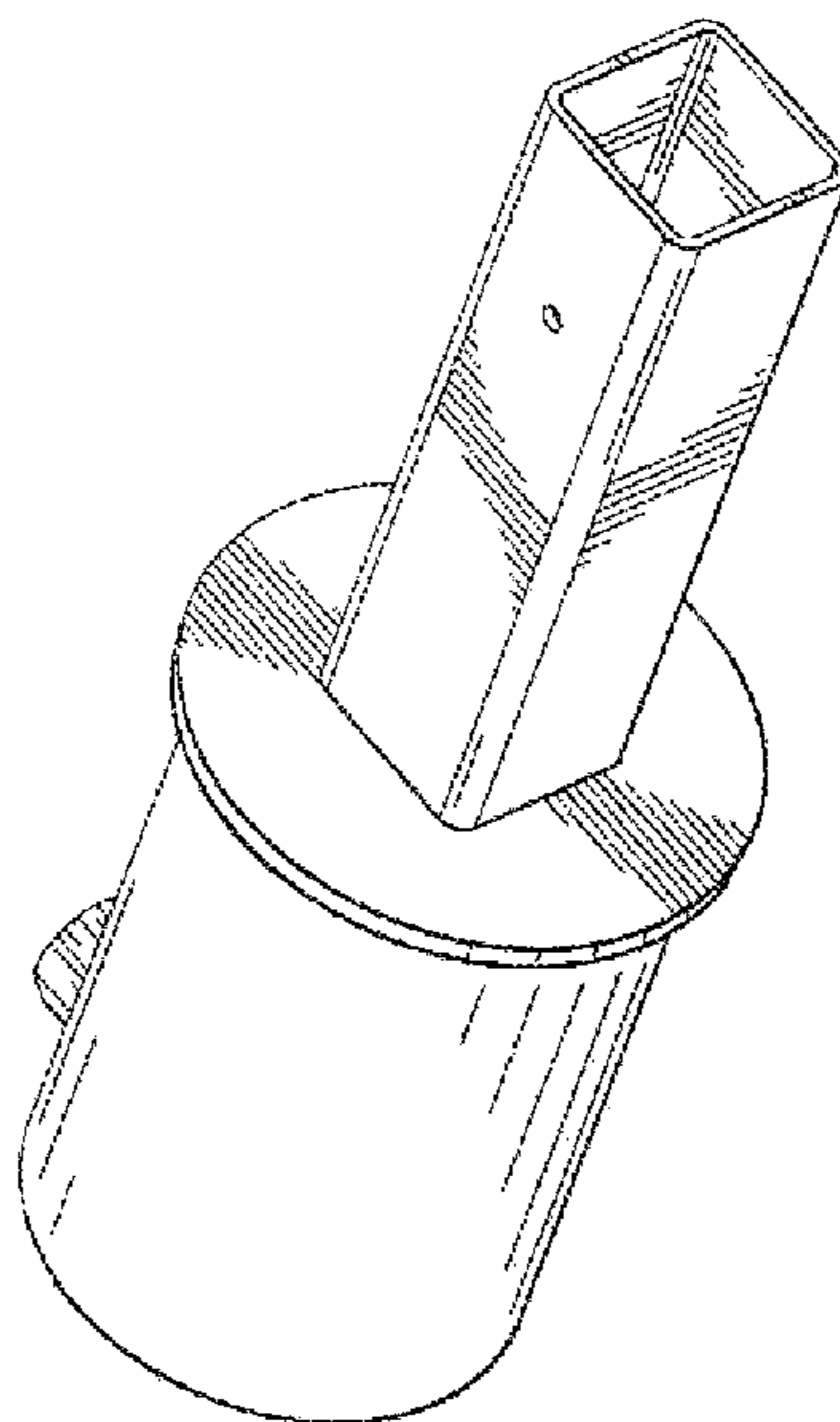
FIG. 3 is a front elevational view thereof;

FIG. 4 is a side elevational view thereof;

FIG. 5 is a top plan view thereof; and,

FIG. 6 is a bottom plan view thereof.

**1 Claim, 3 Drawing Sheets**



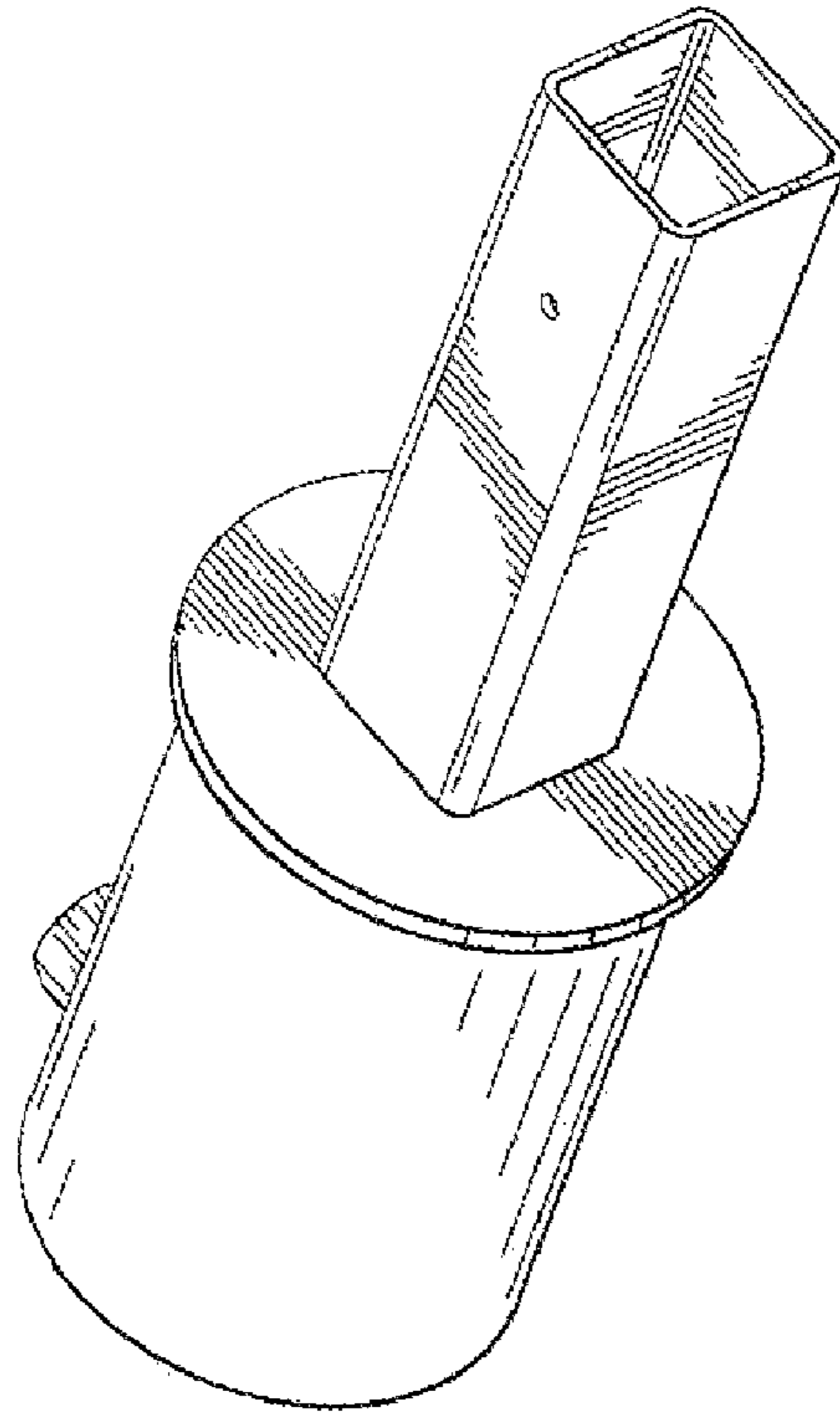


FIG. 1

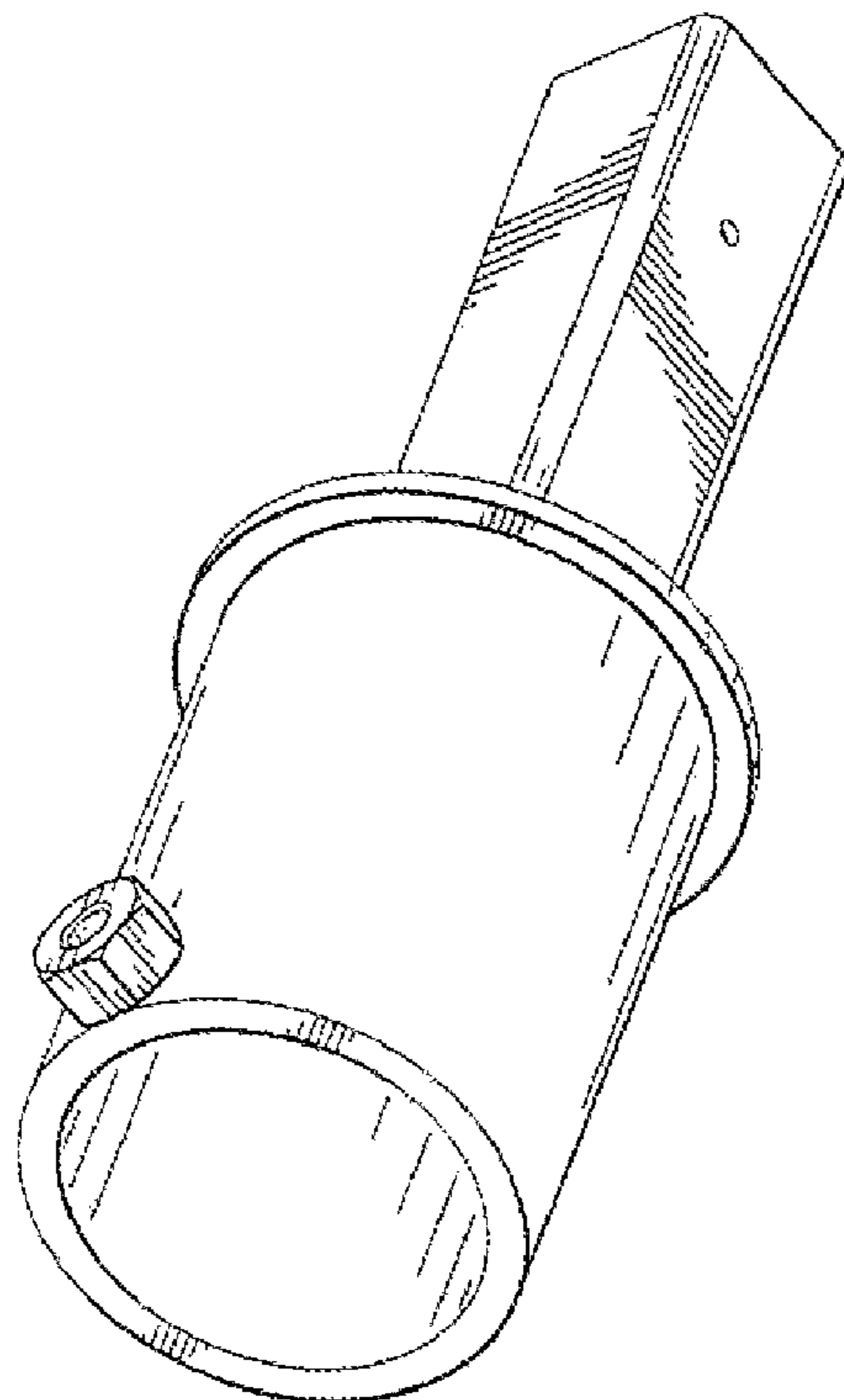


FIG. 2

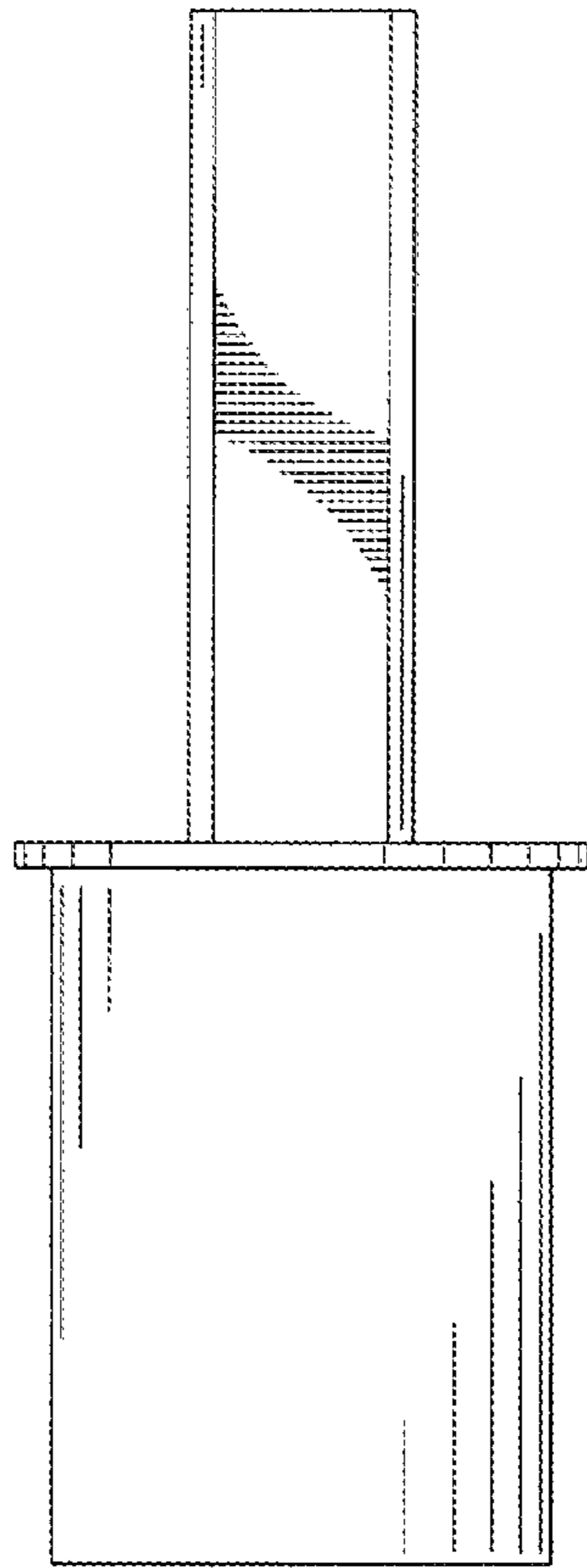


FIG. 3

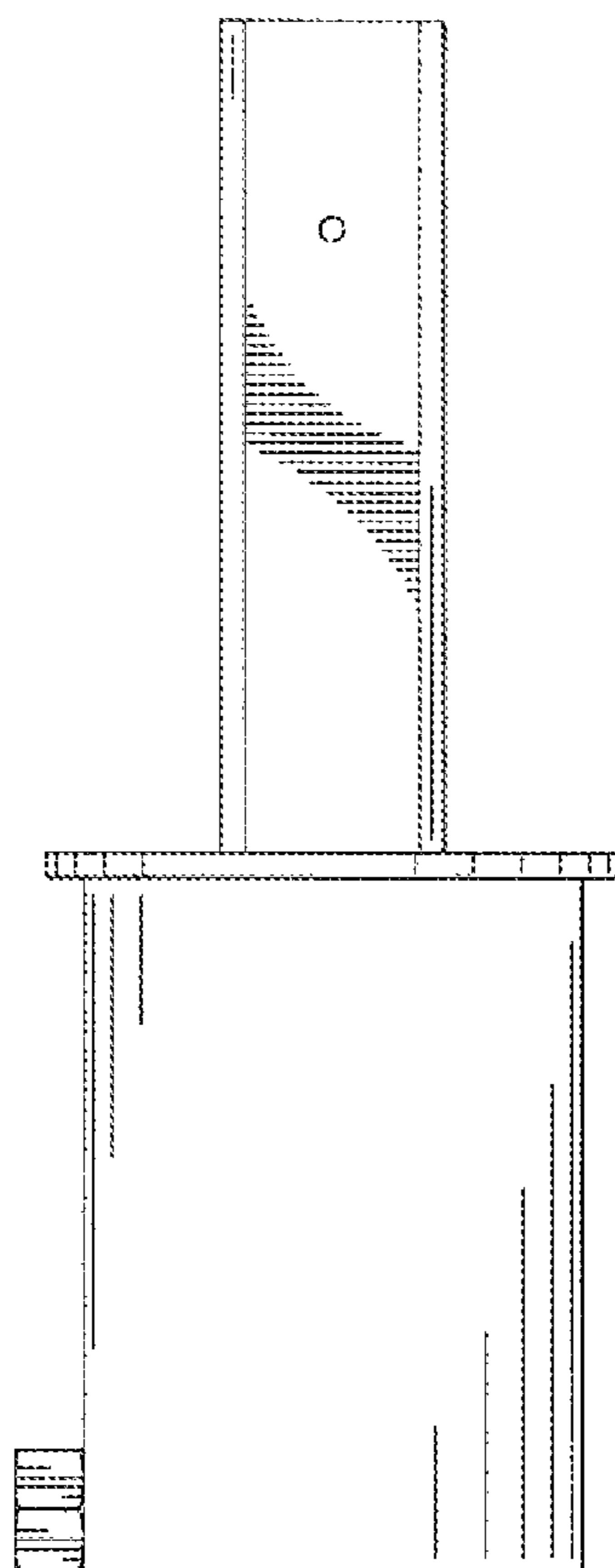


FIG. 4

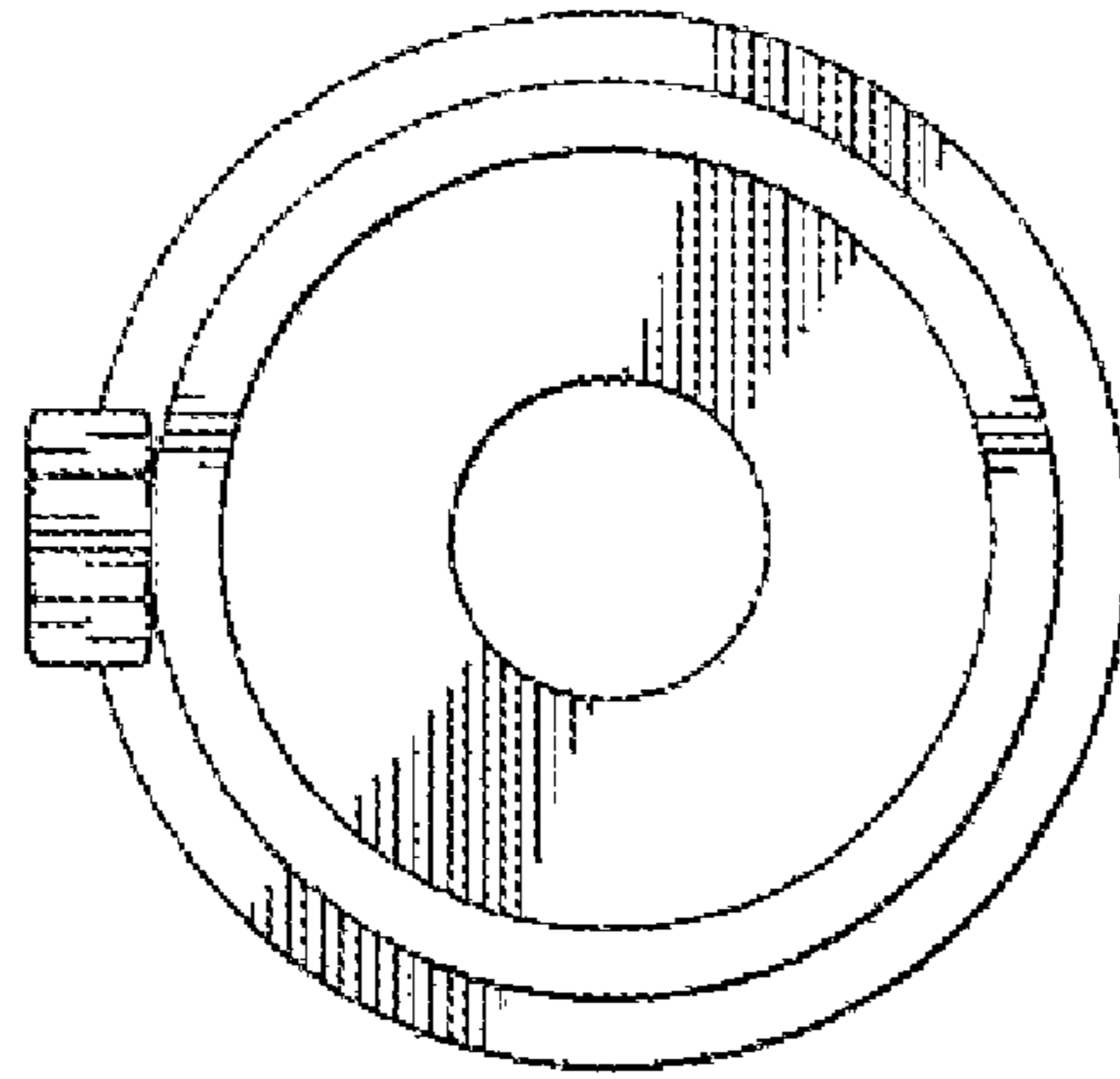


FIG. 5

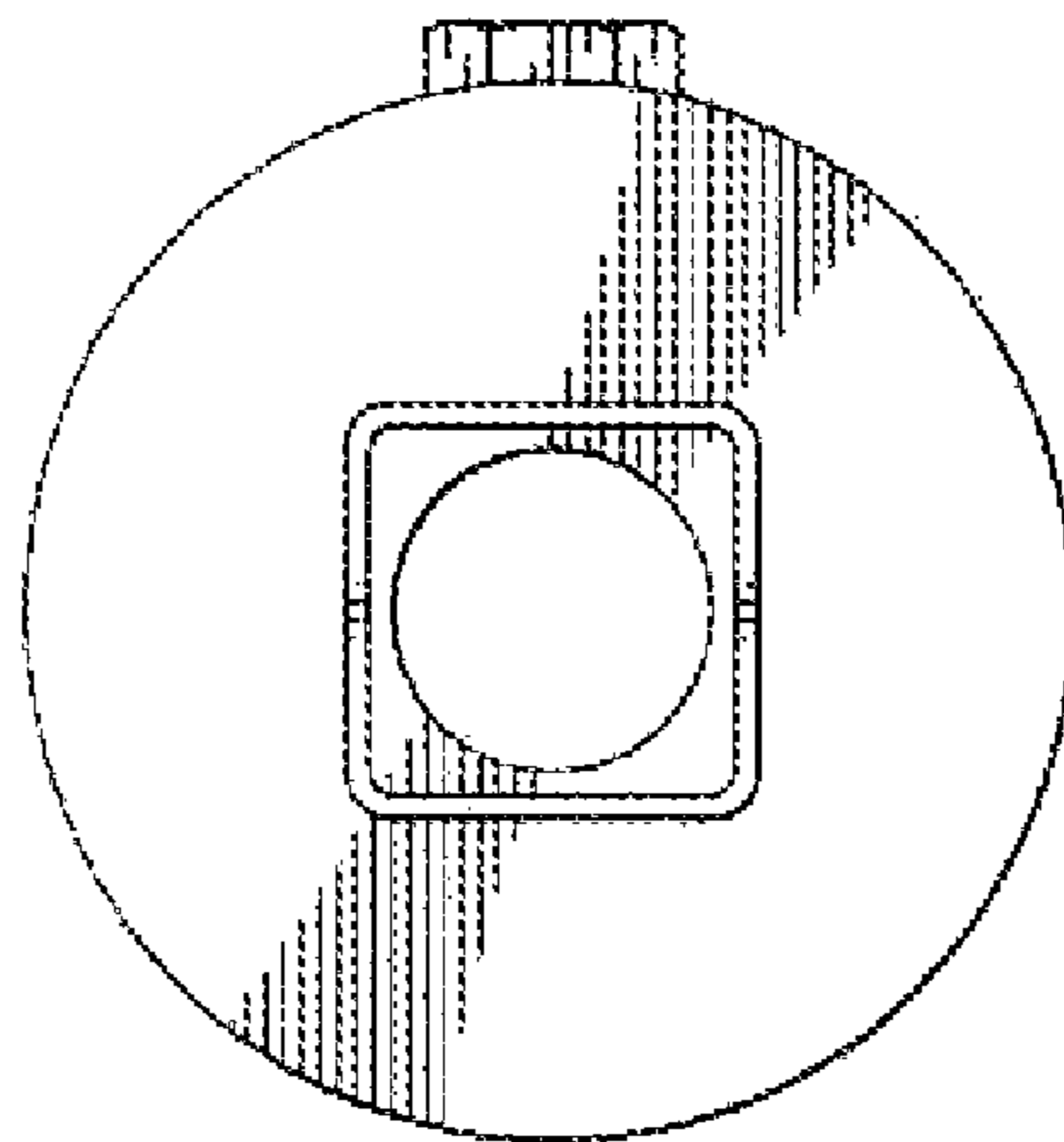


FIG. 6