



US00D583718S

(12) **United States Design Patent**
Zweideck

(10) **Patent No.:** **US D583,718 S**
(45) **Date of Patent:** **** Dec. 30, 2008**

(54) **PUSHCHAIR WITHOUT SEAT**

D528,948 S * 9/2006 Daykin D12/129

(75) Inventor: **M. Bruno Zweideck**, Cholet (FR)

OTHER PUBLICATIONS

(73) Assignee: **Ampafrance**, Cholet (FR)

Le Guide 2002, bébé confort, pp. 1-32, 2002.

(**) Term: **14 Years**

* cited by examiner

(21) Appl. No.: **29/201,711**

Primary Examiner—Charles A. Rademaker

Assistant Examiner—Charles D Hanson

(22) Filed: **Mar. 19, 2004**

(74) *Attorney, Agent, or Firm*—Workman Nydegger

(30) **Foreign Application Priority Data**

(57) **CLAIM**

Sep. 19, 2003 (FR) 03 4542

The ornamental design for a pushchair without seat, as shown and described.

(51) **LOC (8) Cl.** **12-12**

DESCRIPTION

(52) **U.S. Cl.** **D12/129**

(58) **Field of Classification Search** D12/128–133;
267/5; 135/65–67, 74, 912; 280/647–650,
280/29, 200, 250.1, 259, 642, 658; 297/DIG. 4;
296/65.03, 65.04; 224/409; D6/364
See application file for complete search history.

FIG. 1 is a perspective view of a pushchair without seat showing my new design;

FIG. 2 is a front view thereof;

FIG. 3 is a top view thereof;

FIG. 4 is a rear view thereof;

FIG. 5 is a right side view thereof;

FIG. 6 is a perspective view thereof, in a collapsed position;

FIG. 7 is a front view thereof;

FIG. 8 is a top view thereof;

FIG. 9 is a rear view thereof; and,

FIG. 10 is a left side view thereof.

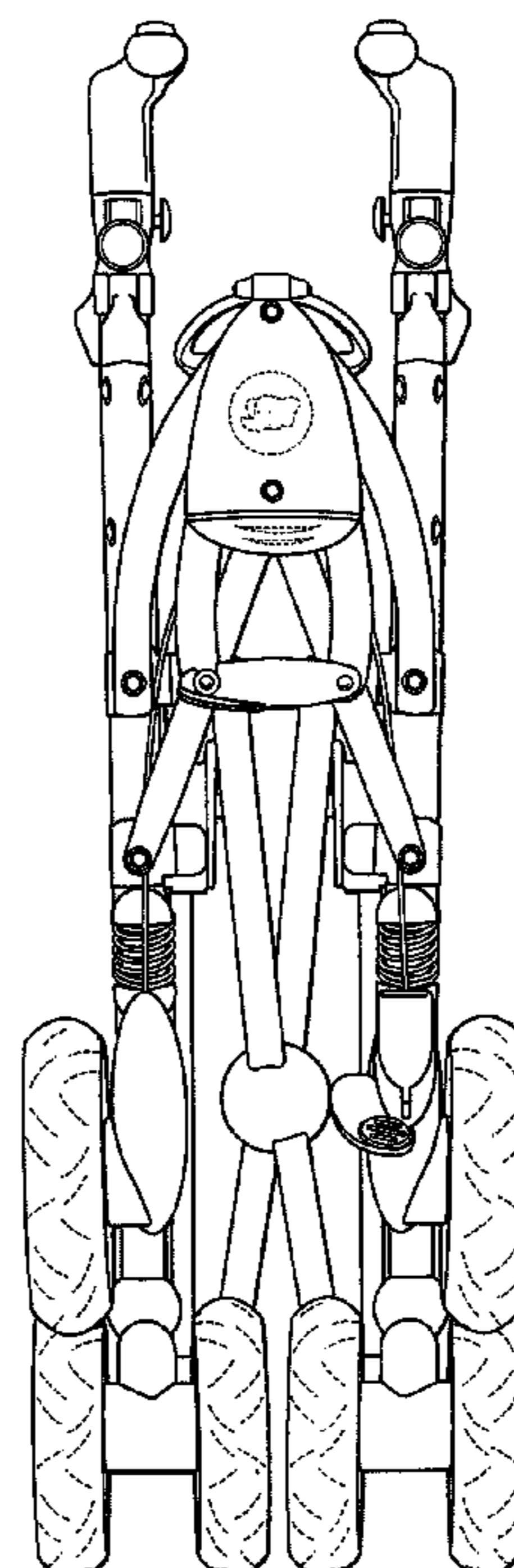
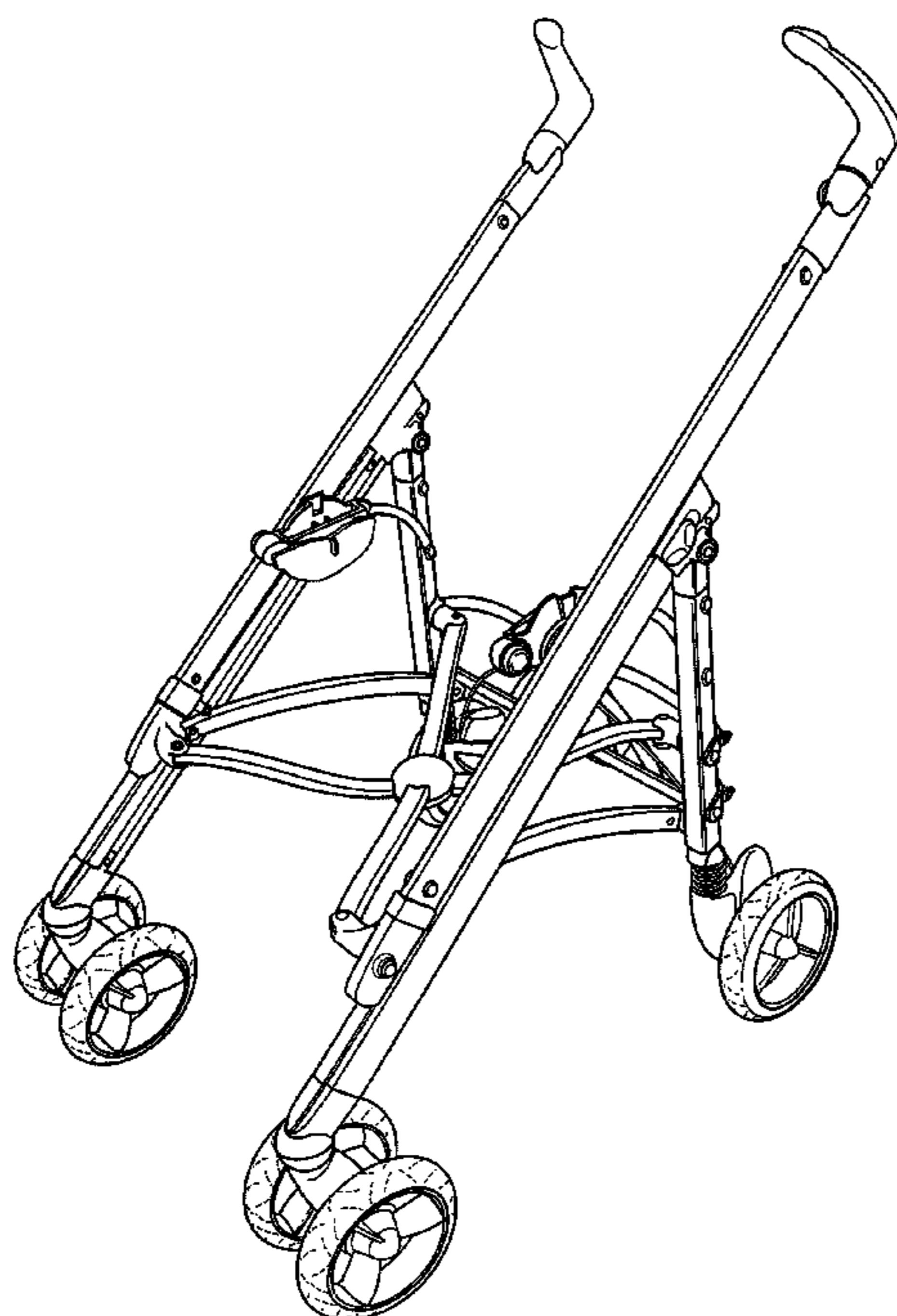
The broken lines showing the wheel tread, logo, and grips are for illustrative purposes only and form no part of the claimed design.

(56) **References Cited**

U.S. PATENT DOCUMENTS

D305,314 S *	1/1990	Julien	D12/129
D355,874 S *	2/1995	Nelson	D12/129
5,749,627 A *	5/1998	Perego	297/370
D396,832 S *	8/1998	Yang	D12/129
D427,550 S *	7/2000	Lee	D12/129
D429,184 S *	8/2000	Yang	D12/129
D434,704 S *	12/2000	Huang	D12/129
D463,330 S *	9/2002	Yang et al.	D12/129
D480,994 S *	10/2003	Grohmann	D12/129
D486,428 S *	2/2004	Daykin	D12/129
7,017,936 B2 *	3/2006	Huang	280/642

1 Claim, 10 Drawing Sheets



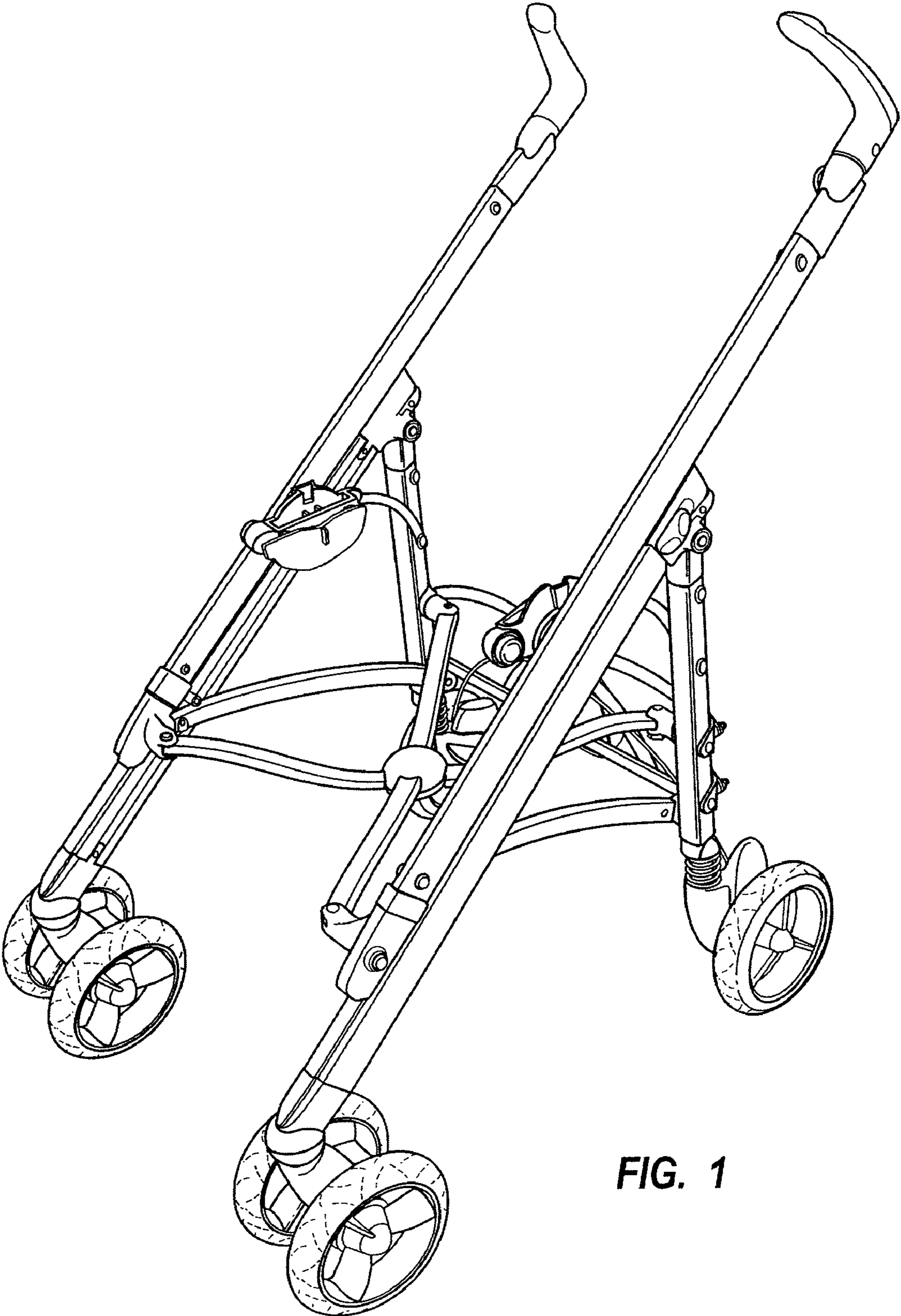


FIG. 1

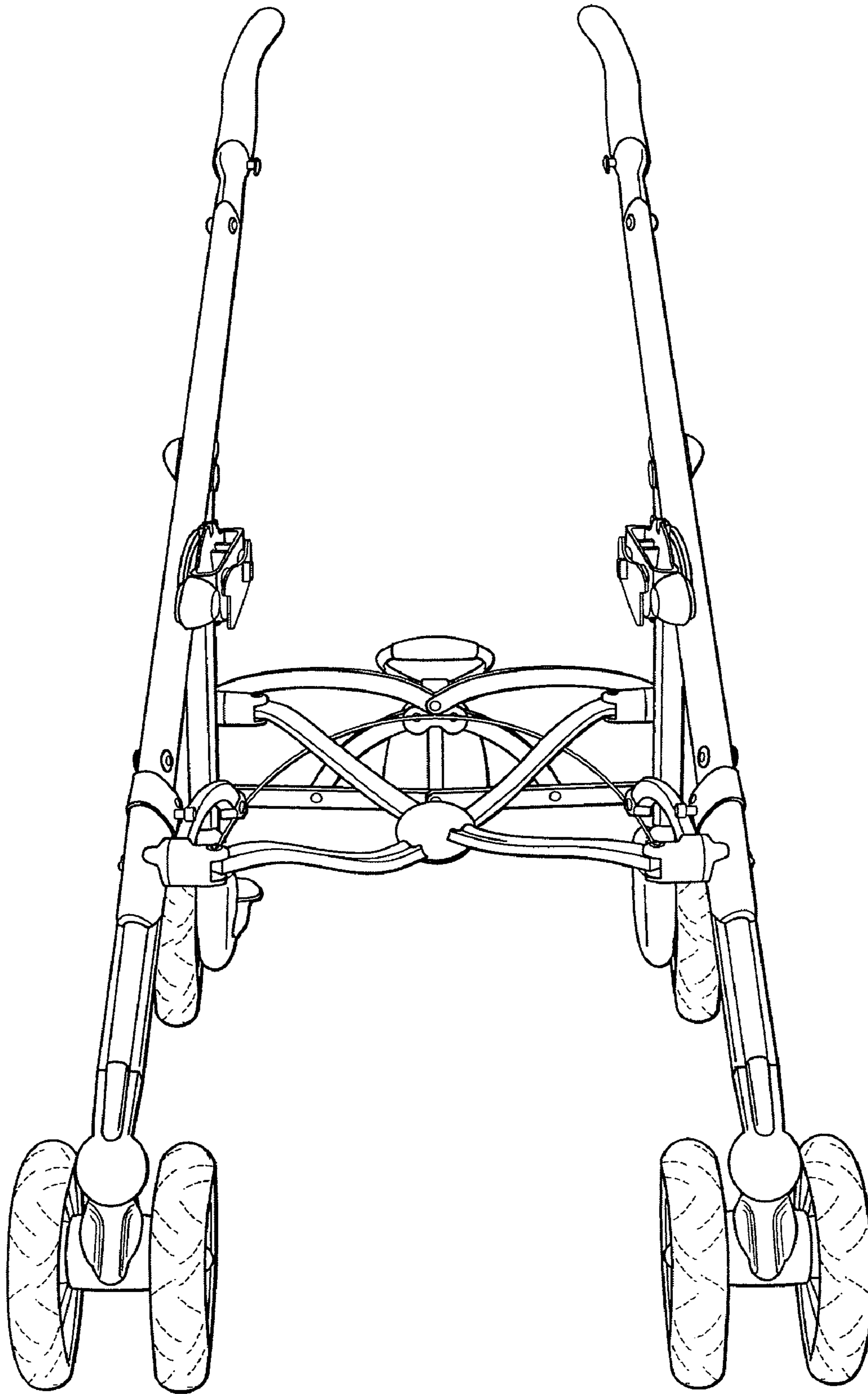


FIG. 2

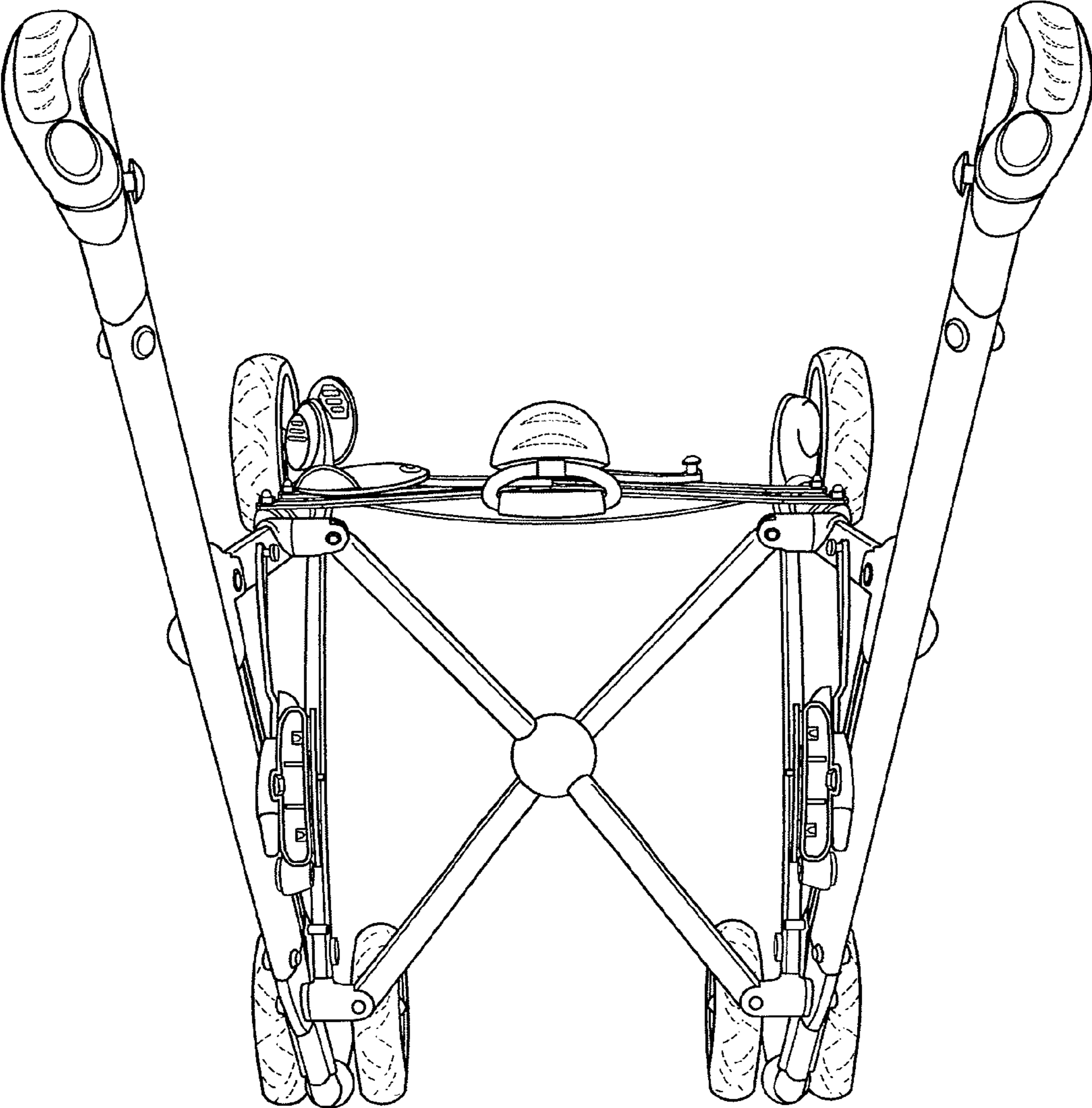


FIG. 3

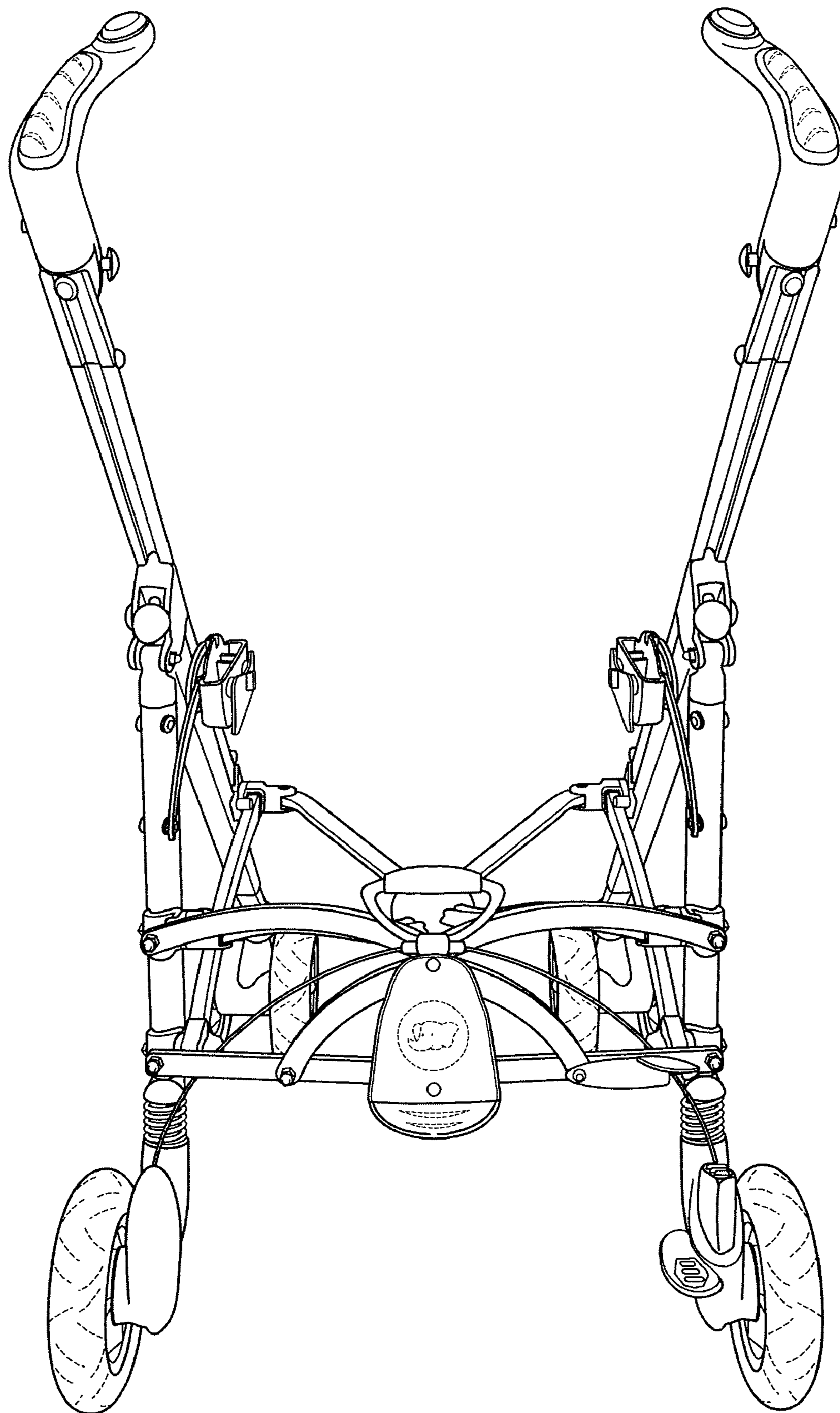


FIG. 4

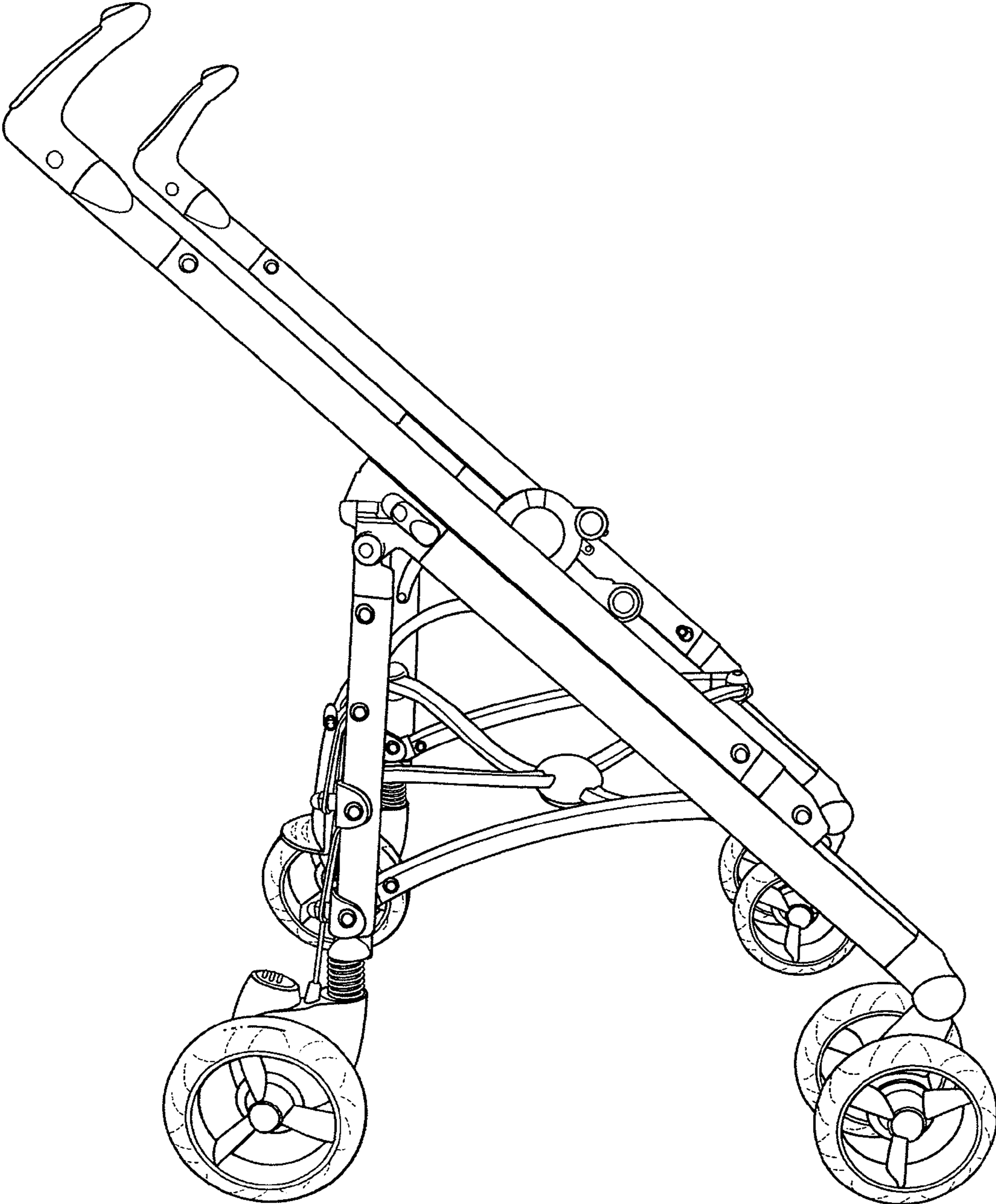


FIG. 5

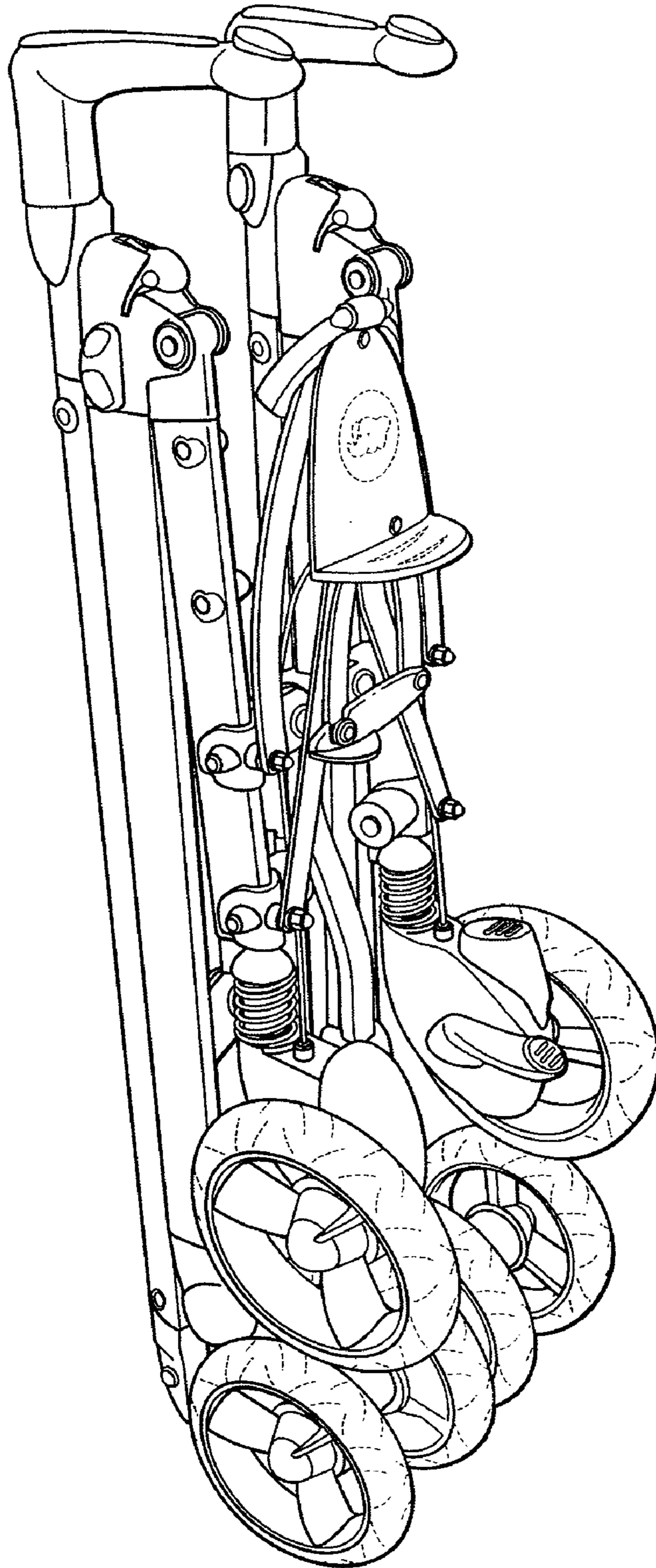


FIG. 6

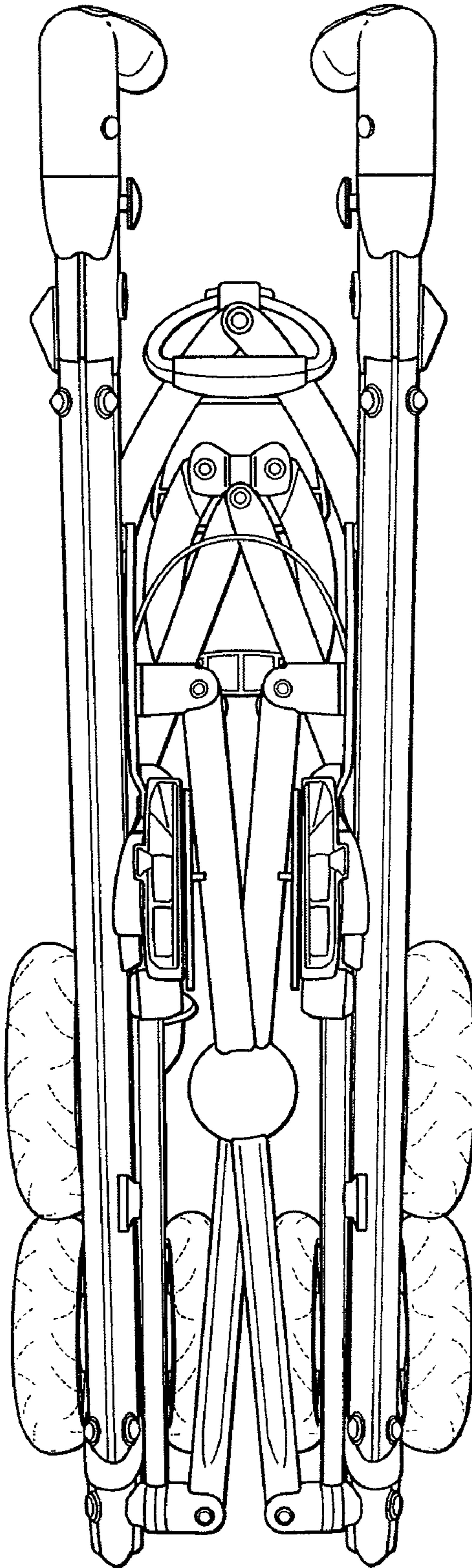


FIG. 7

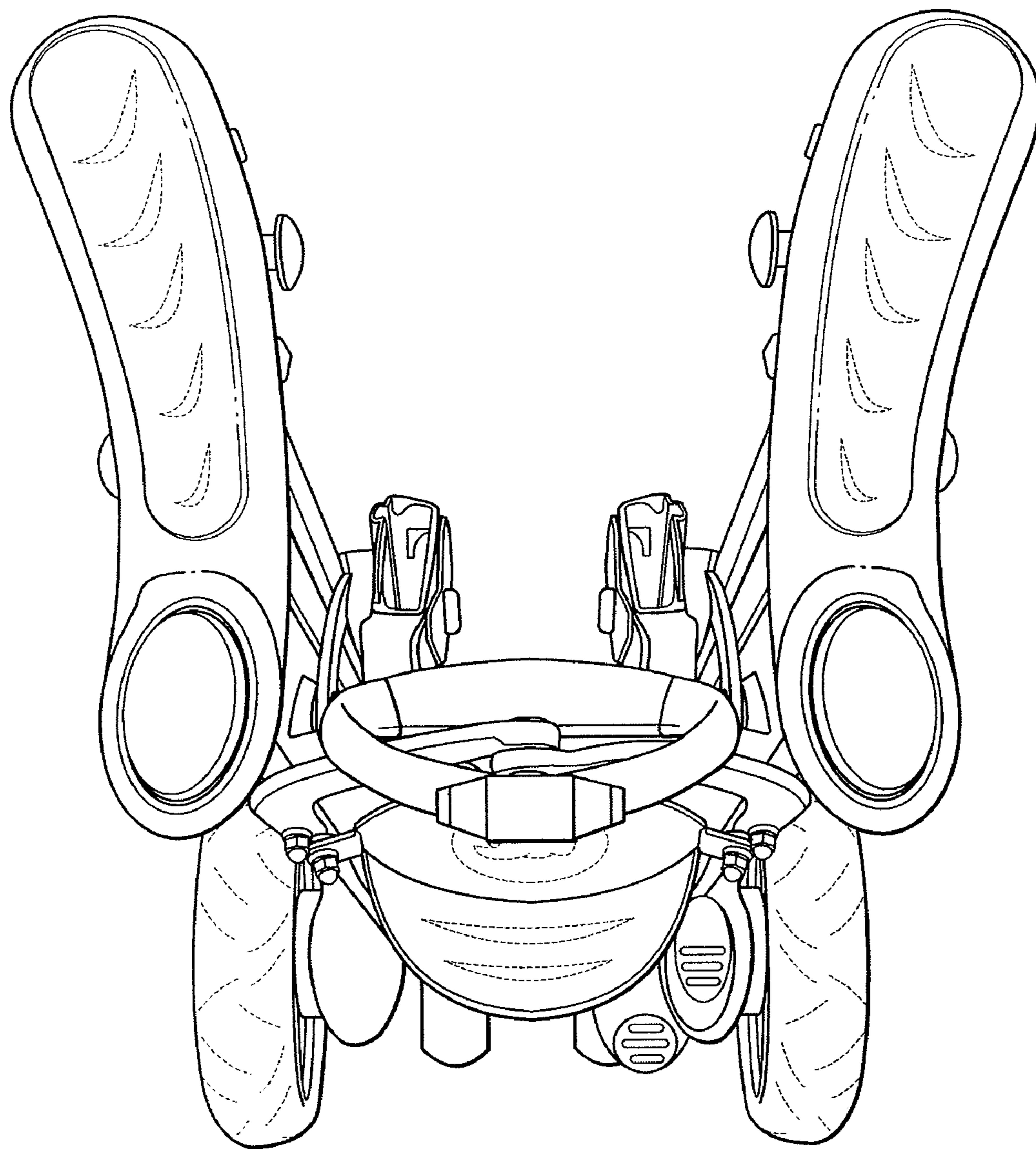


FIG. 8

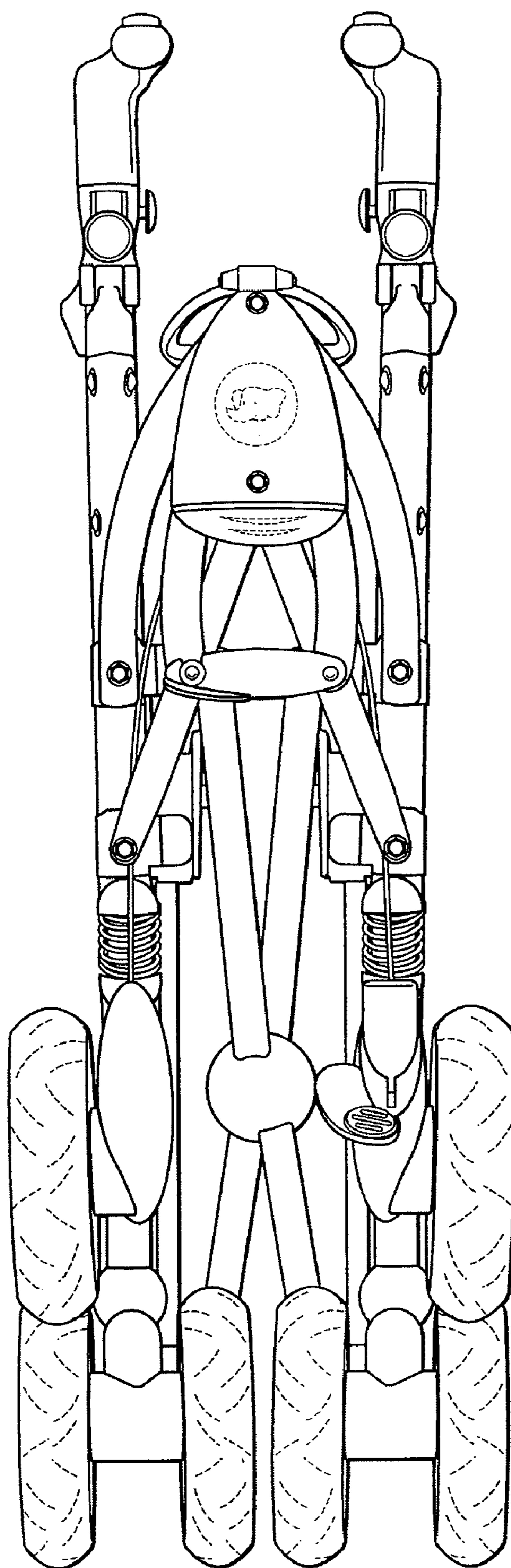


FIG. 9

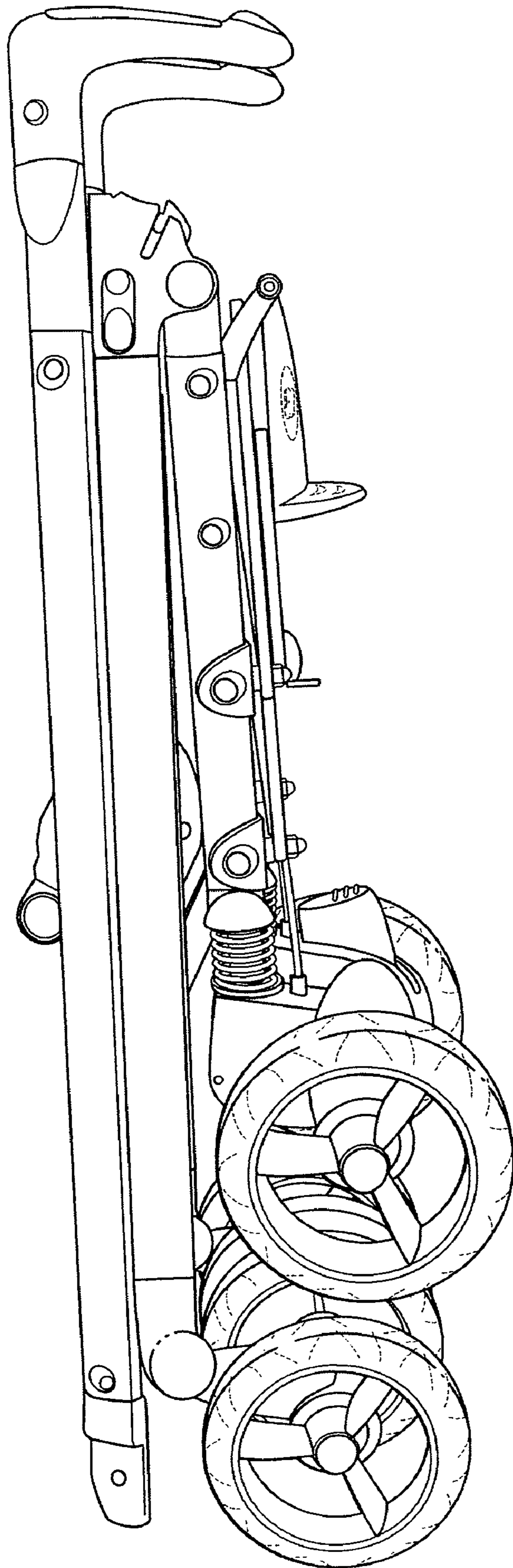


FIG. 10