



US00D583717S

(12) **United States Design Patent**  
**Brown et al.**

(10) **Patent No.:** **US D583,717 S**  
(45) **Date of Patent:** **\*\* Dec. 30, 2008**

(54) **MOTORCYCLE SWINGARM**

(75) Inventors: **Duane Brown**, Ravensdale, WA (US);  
**Chris Brown**, Auburn, WA (US); **Brent Brown**, Auburn, WA (US); **Kurt Hall**, Olympia, WA (US)

(73) Assignee: **BBR Motorsports, Inc.**, Auburn, WA (US)

(\*\*) Term: **14 Years**

(21) Appl. No.: **29/277,278**

(22) Filed: **Feb. 20, 2007**

(51) **LOC (8) Cl.** ..... **12-11**

(52) **U.S. Cl.** ..... **D12/117**

(58) **Field of Classification Search** ..... D12/110,  
D12/114, 117, 118, 159, 160; 180/219, 227,  
180/311, 312, 231; 280/281.1, 283-288,  
280/288.1-288.4, 274, 275, 124.1, 124.109,  
280/124.11, 124.116

See application file for complete search history.

(56) **References Cited**

**U.S. PATENT DOCUMENTS**

- D503,363 S \* 3/2005 Alsop ..... D12/117
- D509,462 S \* 9/2005 Ford ..... D12/117
- D527,314 S \* 8/2006 Czysz ..... D12/117

**OTHER PUBLICATIONS**

Custom Chrome '99 catalog, swingarms on p. 15.16.\*

\* cited by examiner

*Primary Examiner*—Cathron C Brooks

*Assistant Examiner*—Linda Brooks

(74) *Attorney, Agent, or Firm*—Seed IP Law Group PLLC

(57) **CLAIM**

The ornamental design for a motorcycle swingarm, as shown and described.

**DESCRIPTION**

FIG. 1 is an isometric top side view of a motorcycle swingarm showing our new design;

FIG. 2 is a top plan view thereof;

FIG. 3 is a bottom plan view thereof;

FIG. 4 is an elevational front view thereof;

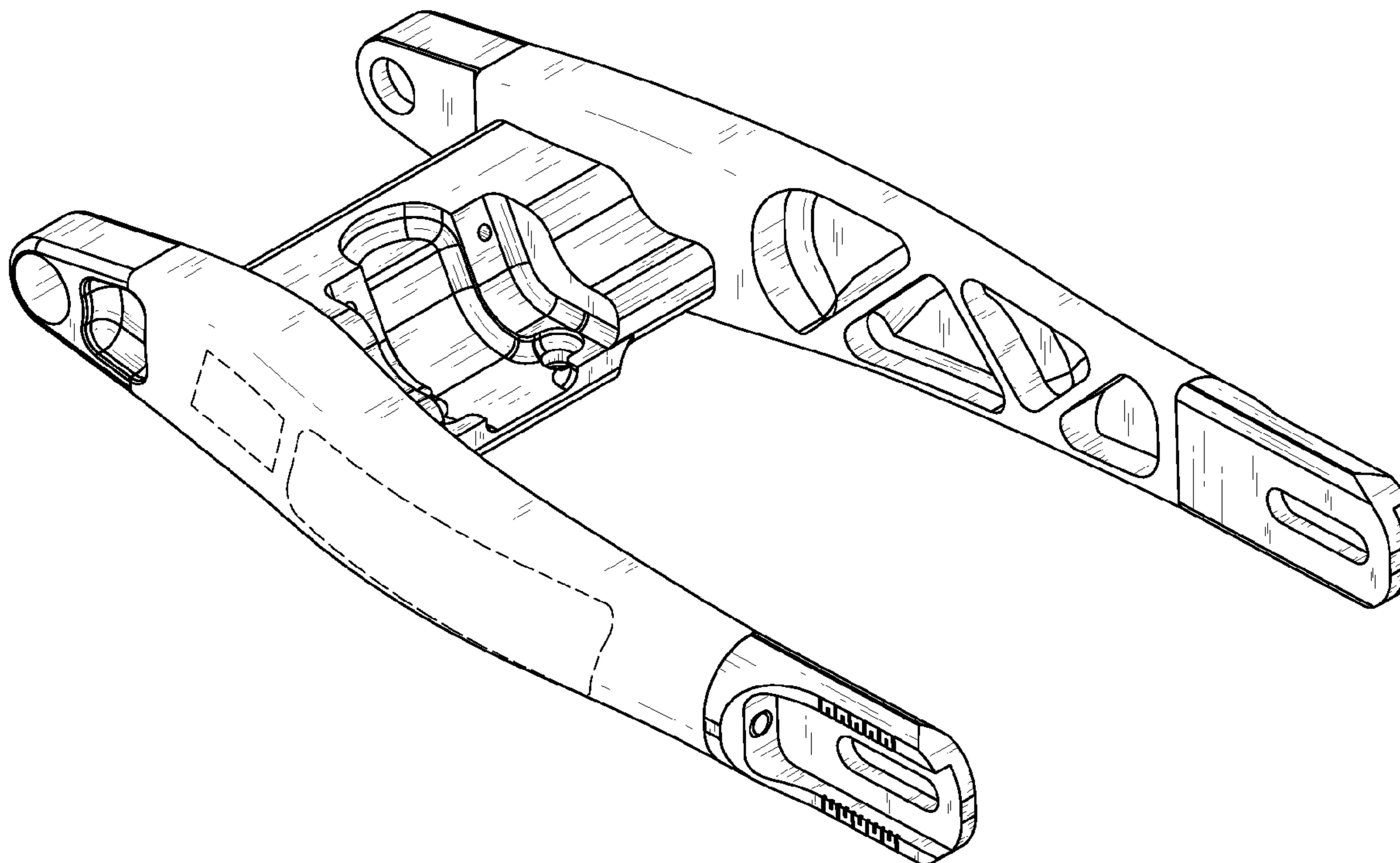
FIG. 5 is an elevational rear view thereof, with portions shown in broken lines forming no part of the claimed design;

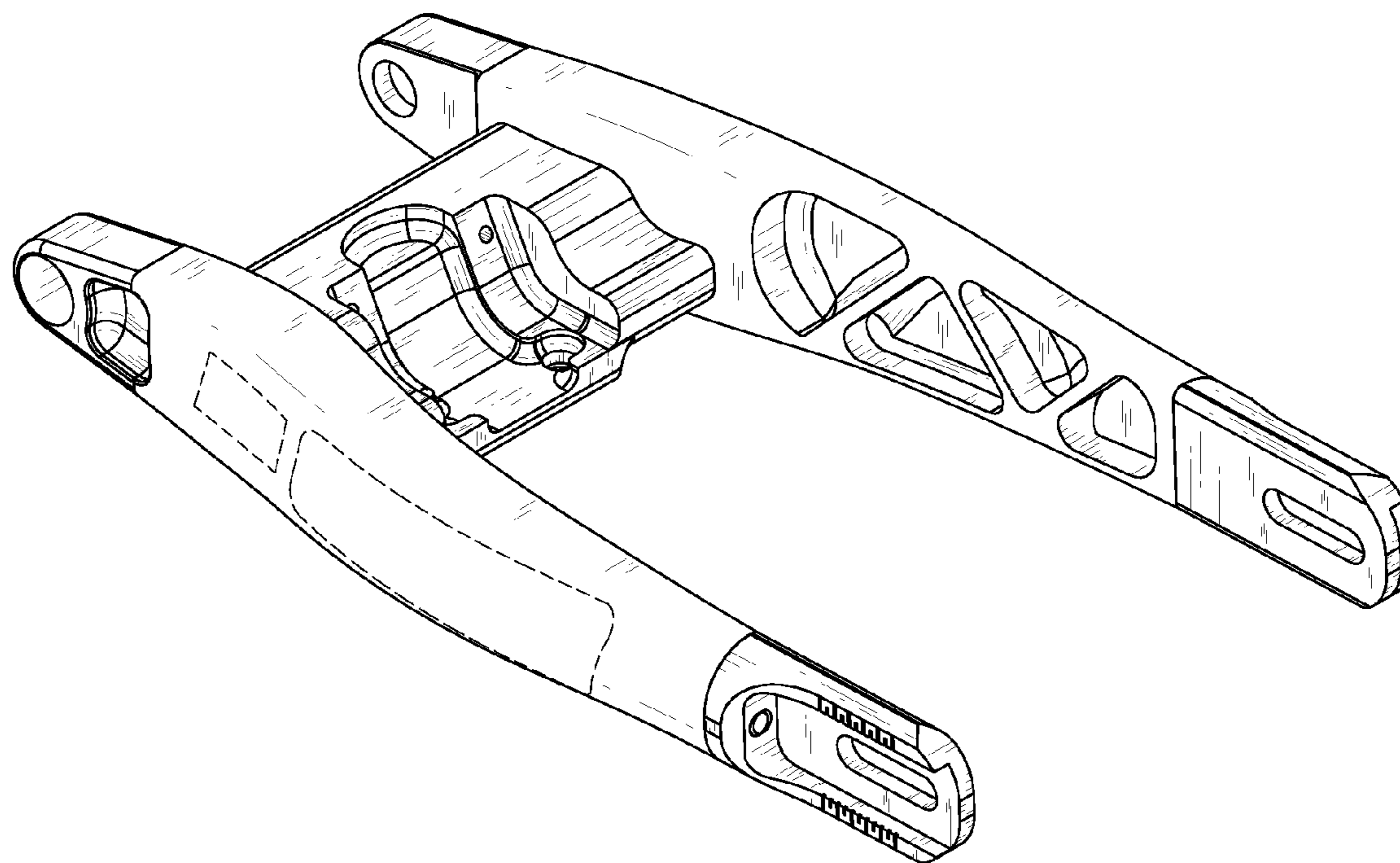
FIG. 6 is an elevational view of a first side thereof; and,

FIG. 7 is an elevational view of a second side thereof.

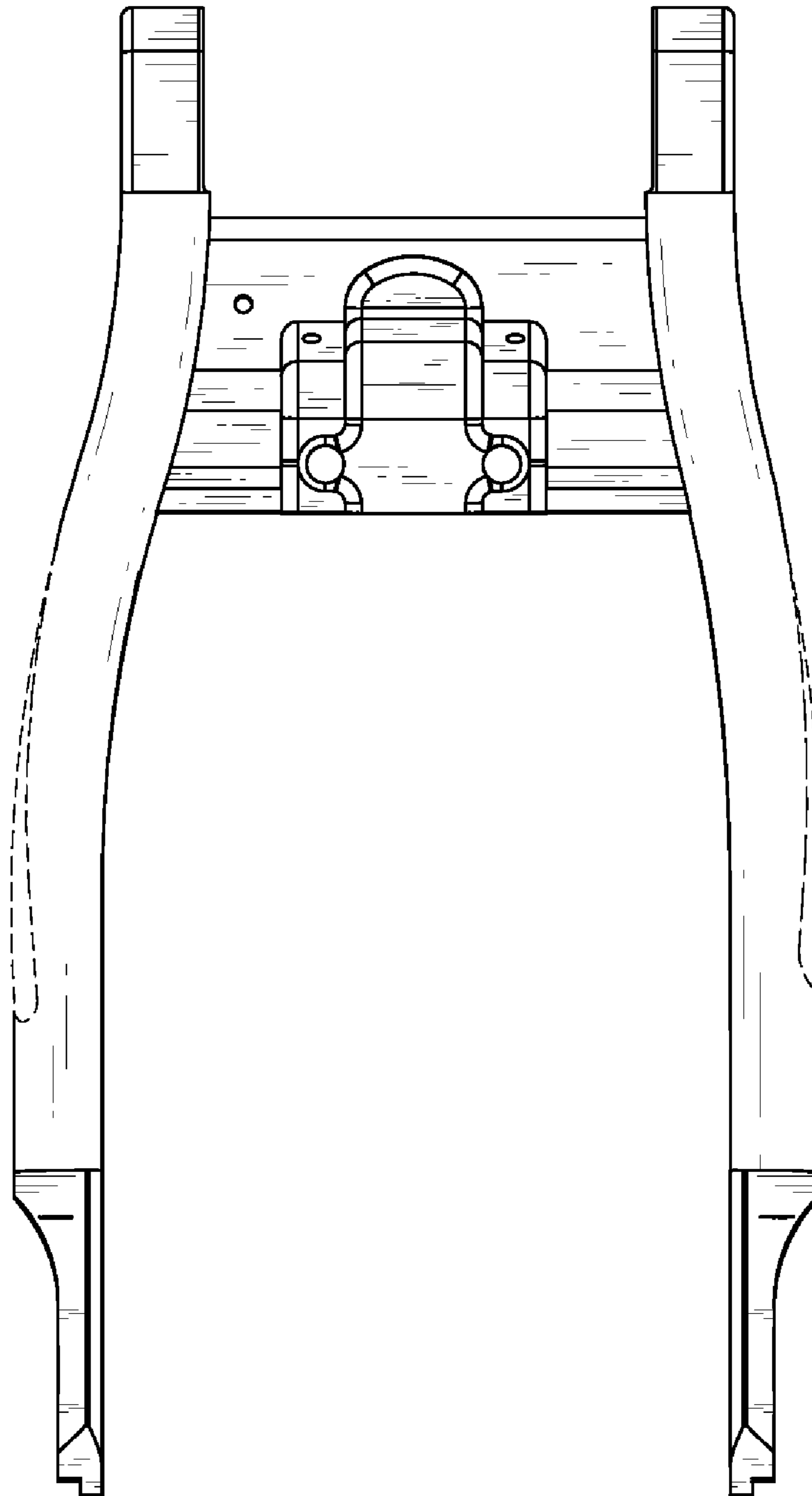
The broken lines in the figures including the broken lines immediately adjacent the shaded areas in FIGS. 1-4, 6, and 7, represent the boundaries of the claimed design and form no part thereof.

**1 Claim, 5 Drawing Sheets**

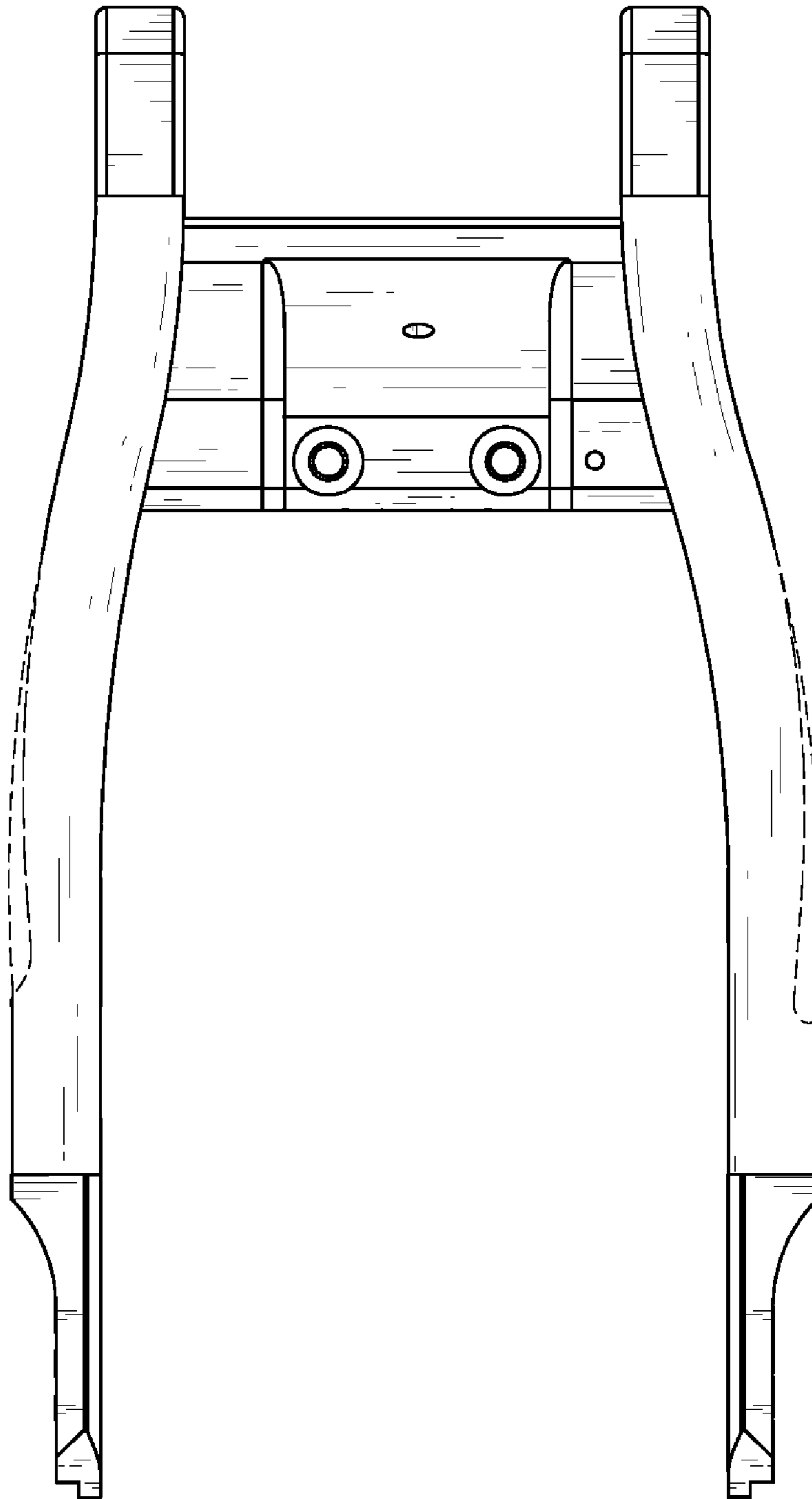




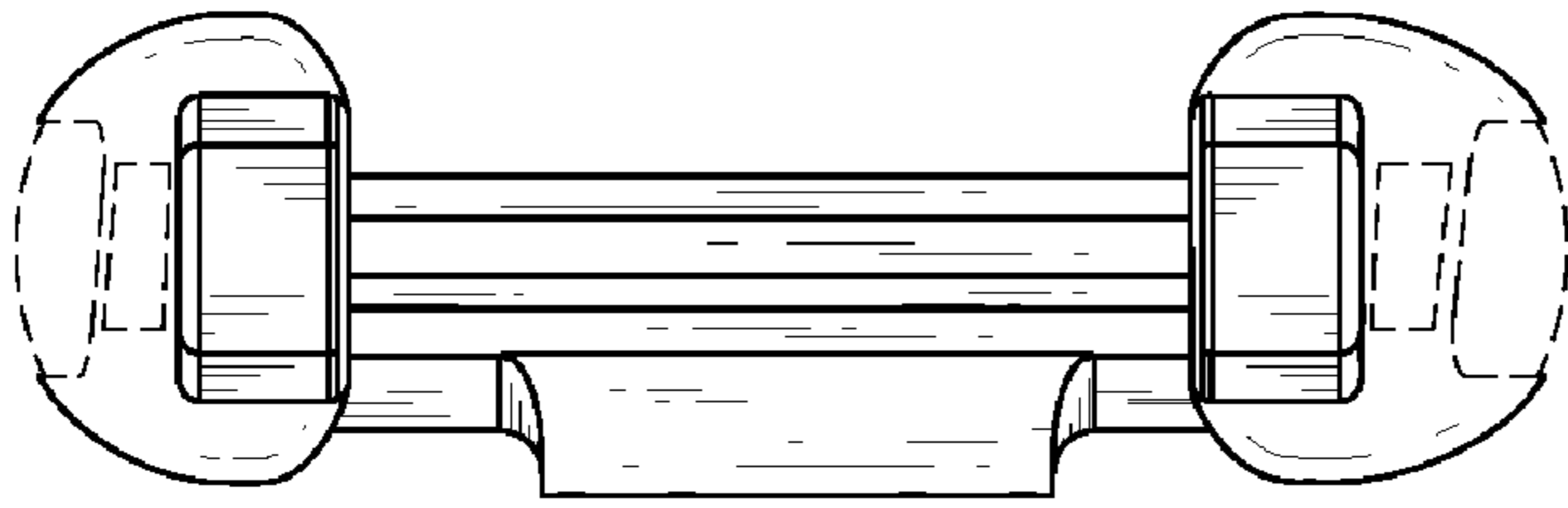
*FIG. 1*



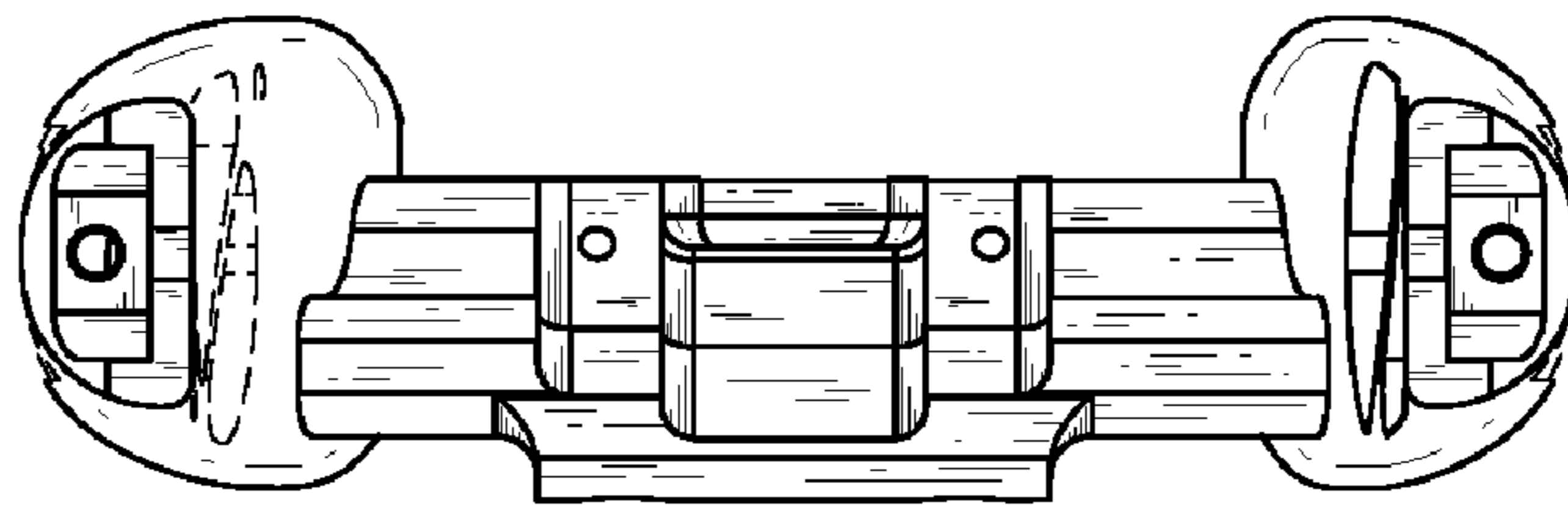
*FIG. 2*



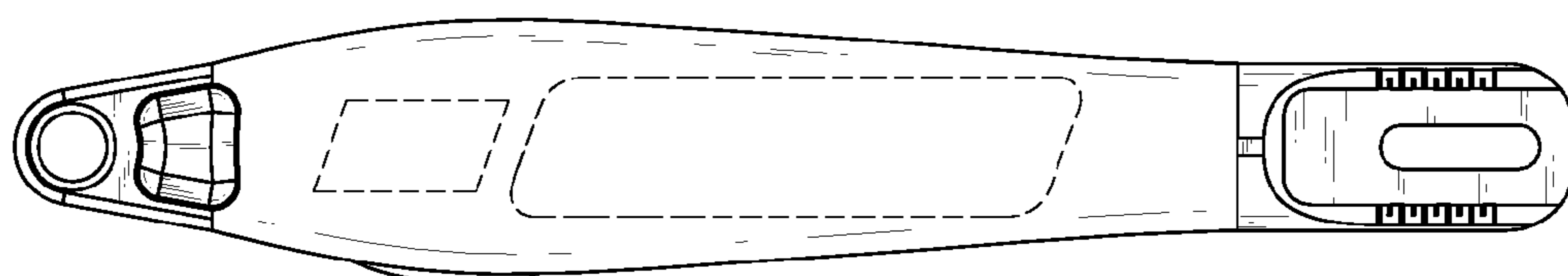
*FIG. 3*



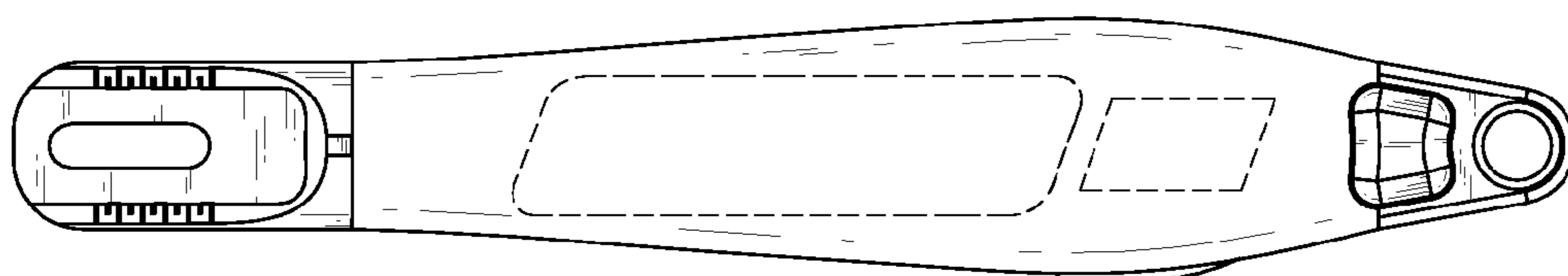
*FIG. 4*



*FIG. 5*



*FIG. 6*



*FIG. 7*