



US00D583715S

(12) **United States Design Patent**  
**Beboux**

(10) **Patent No.:** **US D583,715 S**

(45) **Date of Patent:** **\*\* Dec. 30, 2008**

(54) **MOTORCYCLE**

(75) Inventor: **Olivier Beboux**, Amsterdam (NL)

(73) Assignee: **Yamaha Hatsudoki Kabushiki Kaisha**  
(JP)

(\*\*) Term: **14 Years**

(21) Appl. No.: **29/284,418**

(22) Filed: **Sep. 7, 2007**

(51) **LOC (8) Cl.** ..... **12-11**

(52) **U.S. Cl.** ..... **D12/110**

(58) **Field of Classification Search** ..... D12/110;  
180/219, 220, 225, 229

See application file for complete search history.

(56) **References Cited**

**U.S. PATENT DOCUMENTS**

D419,922 S \* 2/2000 Yamase et al. .... D12/110

D430,822 S \* 9/2000 Sakaguchi et al. .... D12/110

D456,315 S \* 4/2002 Sawabe et al. .... D12/110

D482,639 S \* 11/2003 Yamamoto et al. .... D12/110

\* cited by examiner

*Primary Examiner*—Cathron C Brooks

*Assistant Examiner*—Linda Brooks

(74) *Attorney, Agent, or Firm*—Ostrolenk, Faber, Gerb & Soffen, LLP

(57) **CLAIM**

The ornamental design for a motorcycle, as shown.

**DESCRIPTION**

FIG. 1 is a front, left side perspective view of a motorcycle showing my new design;

FIG. 2 is a right side view thereof;

FIG. 3 is a left side view thereof;

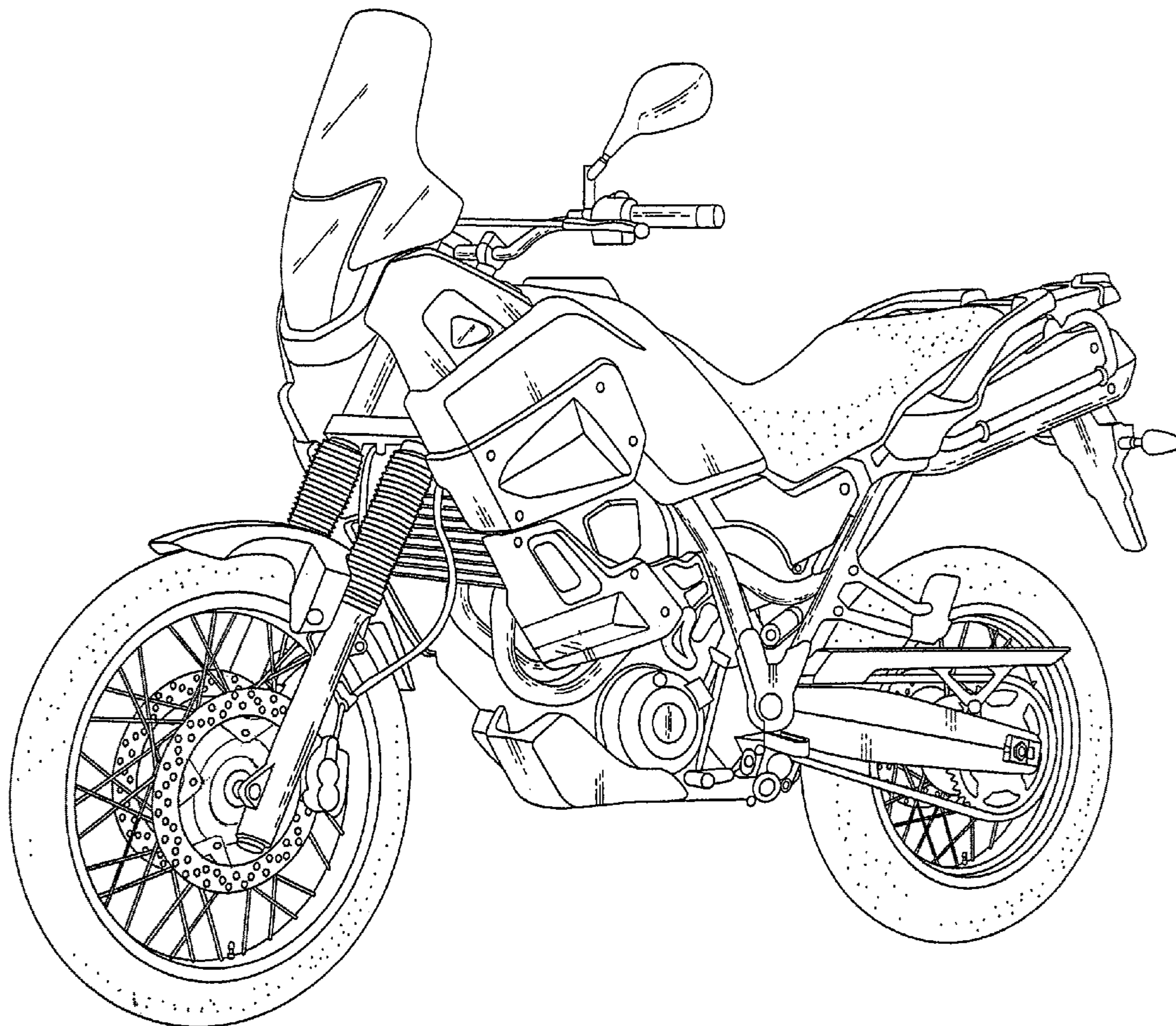
FIG. 4 is a front view thereof;

FIG. 5 is a rear view thereof;

FIG. 6 is a top view thereof; and,

FIG. 7 is a bottom view thereof.

**1 Claim, 7 Drawing Sheets**



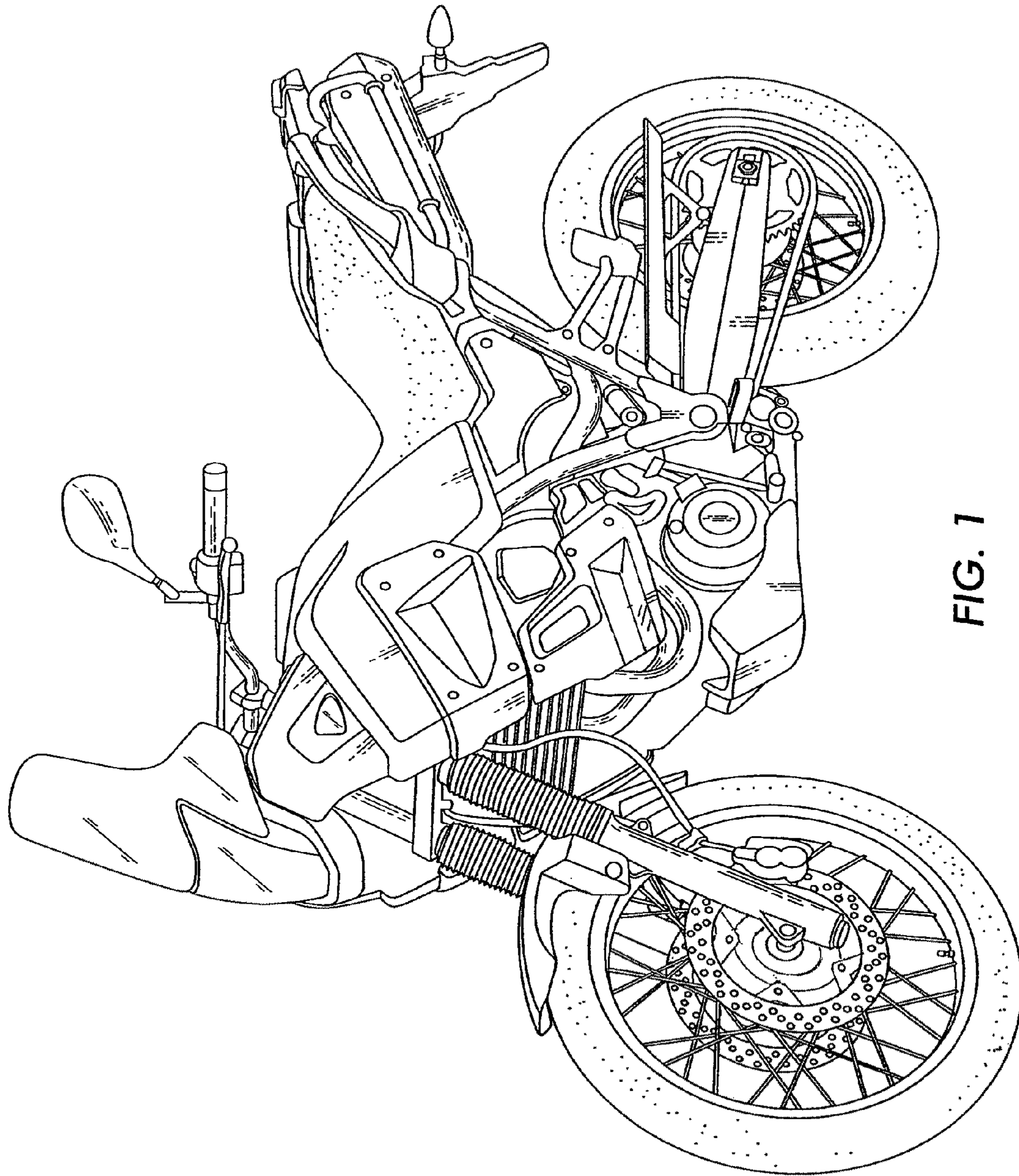


FIG. 1

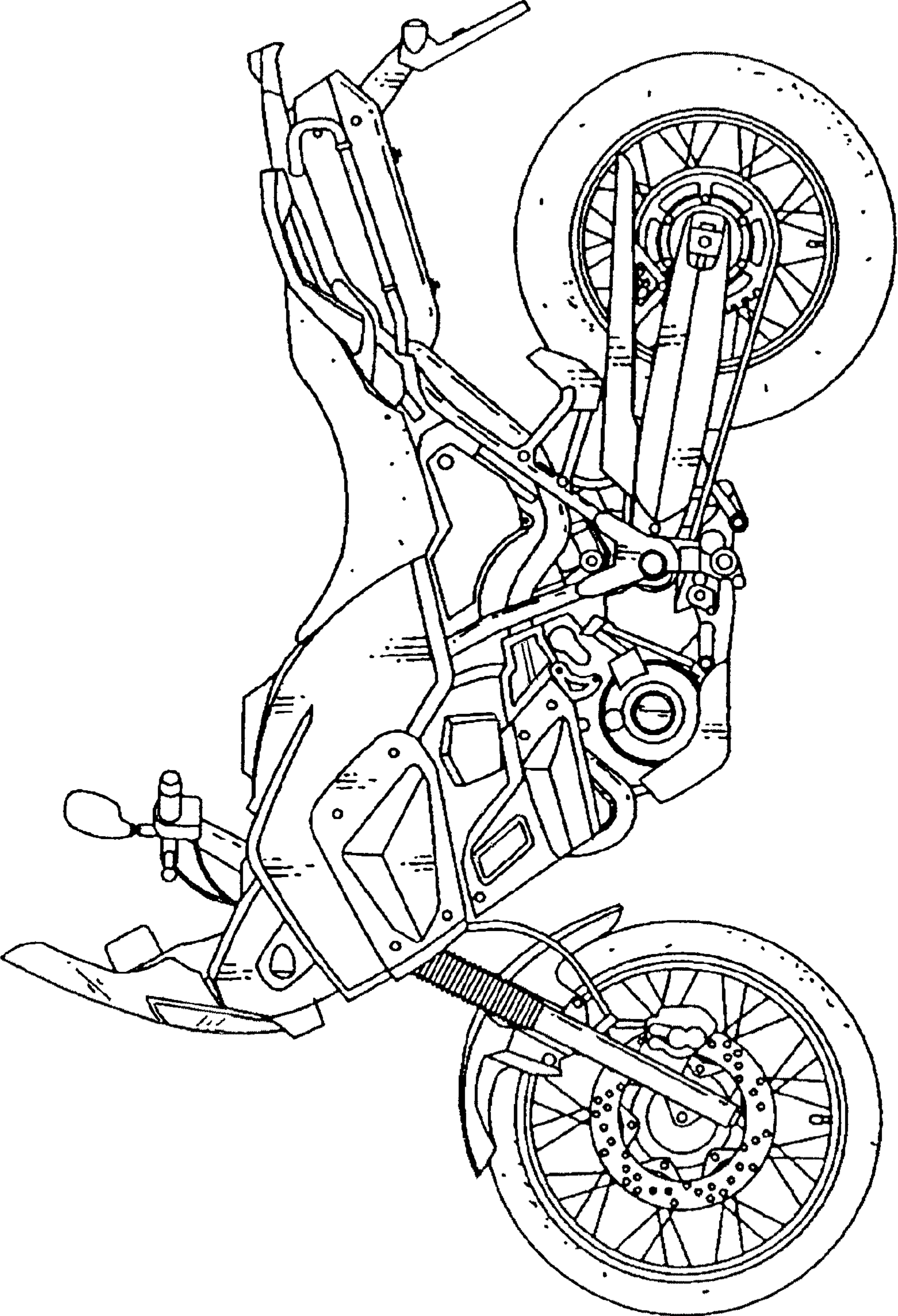


FIG. 2

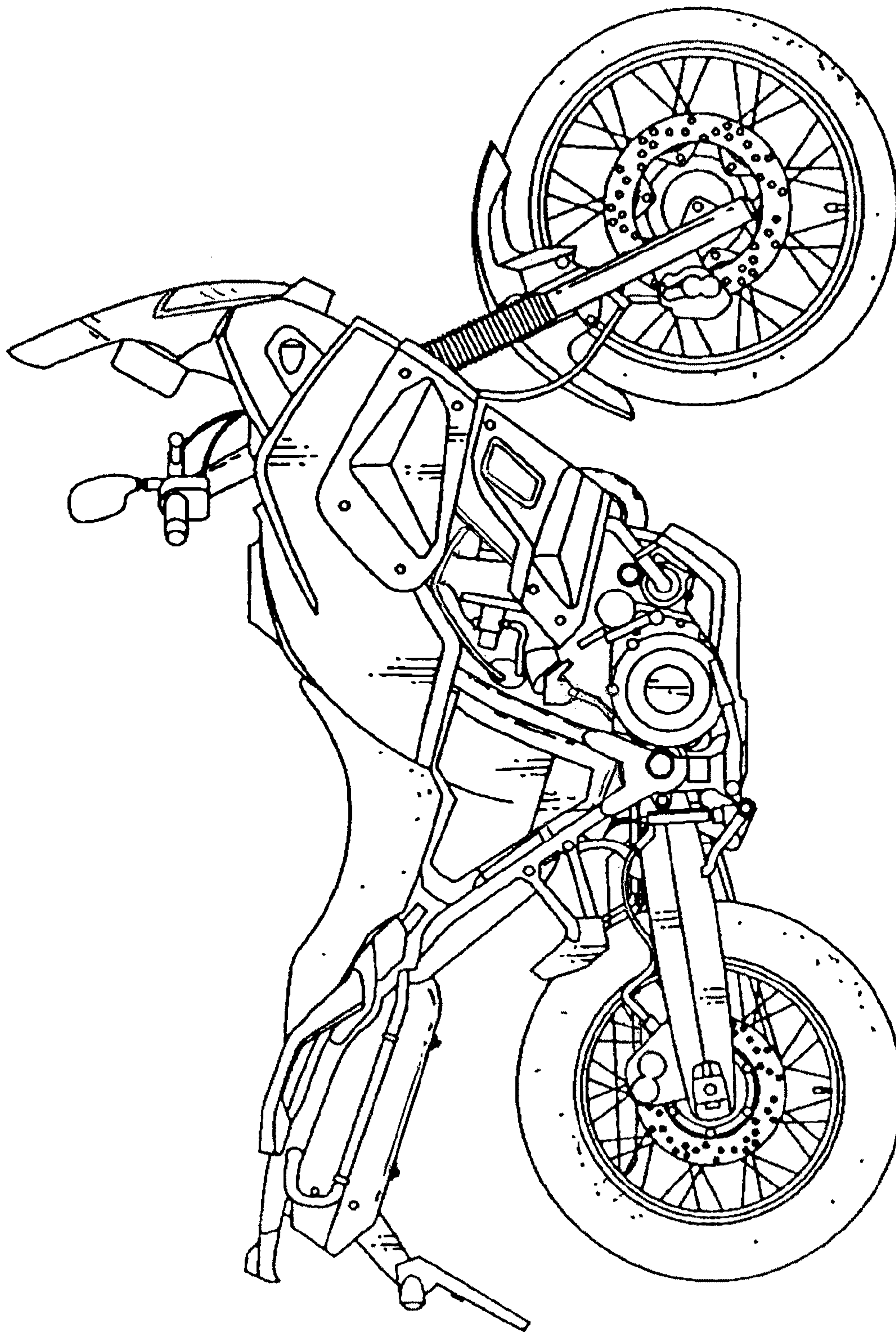


FIG. 3

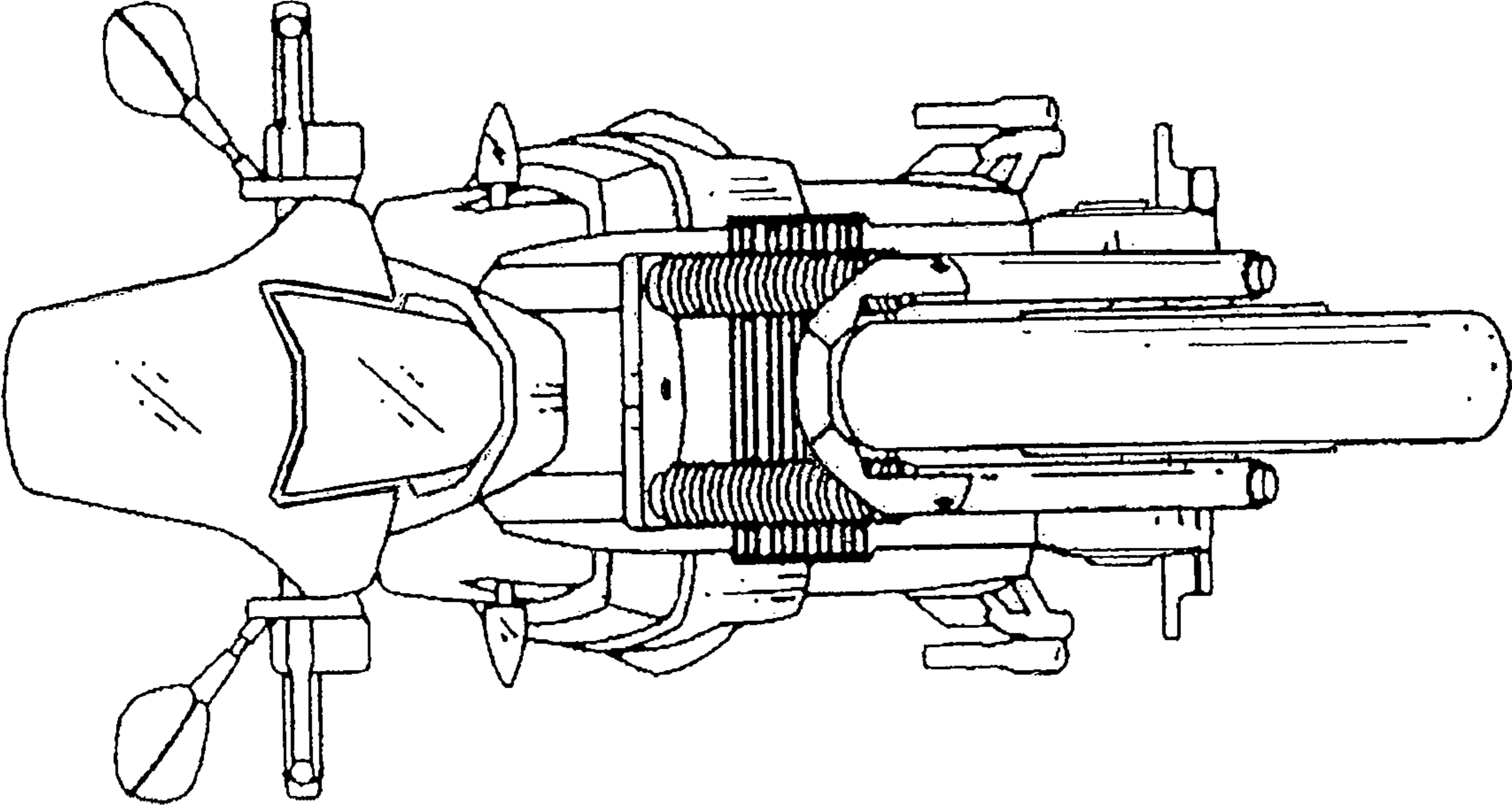


FIG. 4

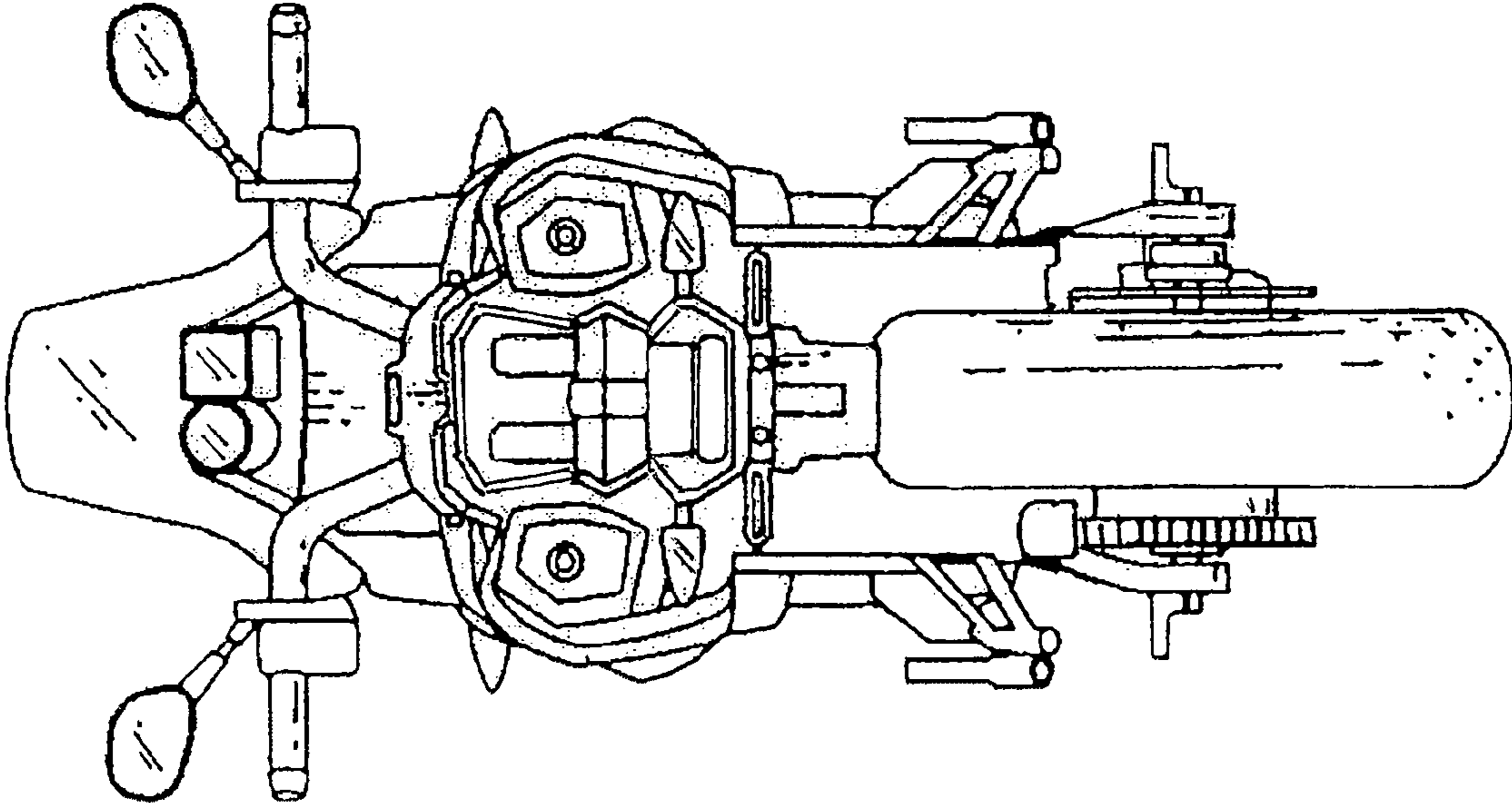


FIG. 5

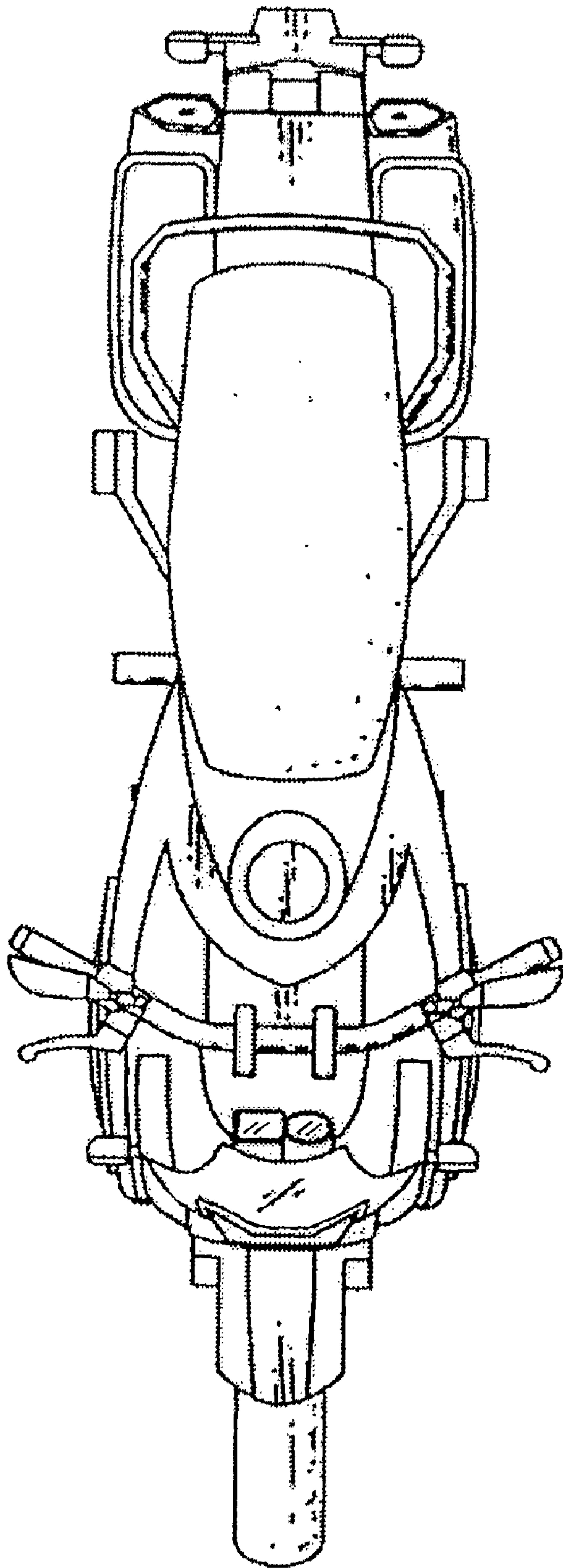


FIG. 6

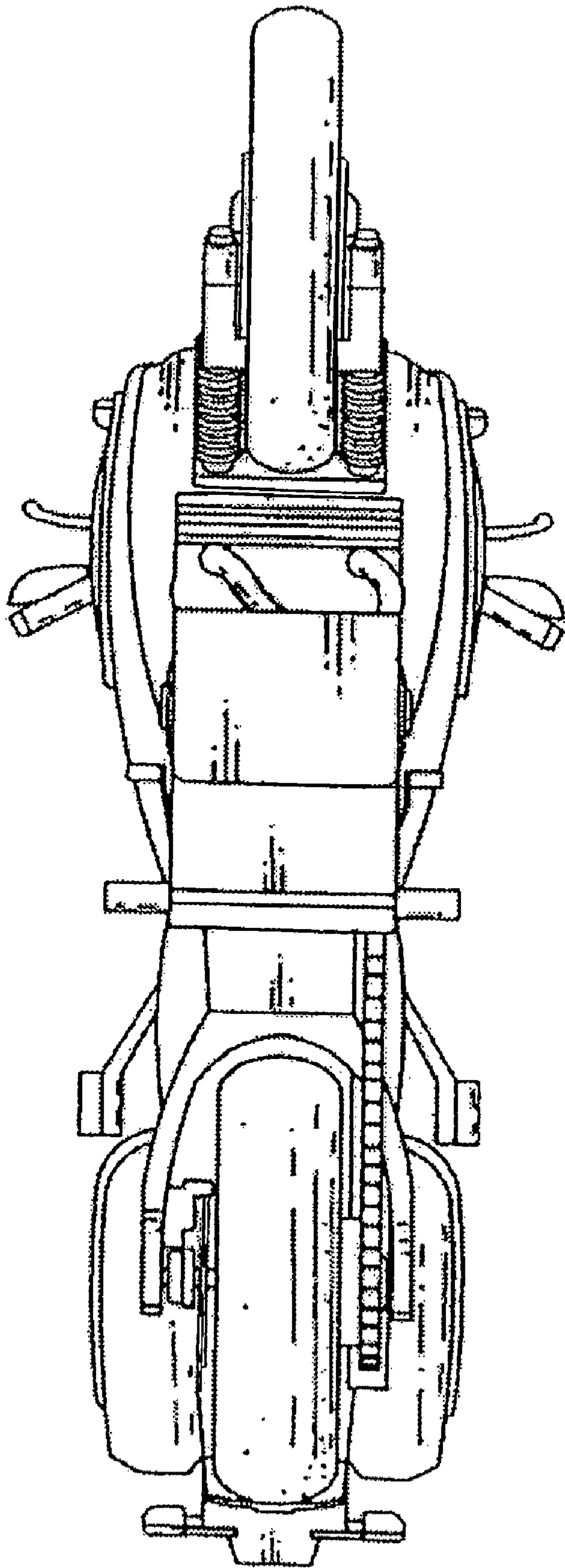


FIG. 7