



US00D583713S

(12) **United States Design Patent**
Schroeder et al.

(10) **Patent No.:** **US D583,713 S**

(45) **Date of Patent:** **** Dec. 30, 2008**

(54) **BODY PANEL FOR AN ALL TERRAIN VEHICLE**

(75) Inventors: **Anthony M. Schroeder**, Huntington Beach, CA (US); **Nicholas Renner**, Irvine, CA (US); **Asao Itaya**, Gardena, CA (US); **Jessica Vera**, Torrance, CA (US); **Hideaki Yamazumi**, Asaka (JP); **Hiroyuki Miyazaki**, Redondo Beach, CA (US)

(73) Assignee: **Honda Motor Co., Ltd.**, Tokyo (JP)

(**) Term: **14 Years**

(21) Appl. No.: **29/281,550**

(22) Filed: **Jun. 26, 2007**

(51) **LOC (8) Cl.** **12-11**

(52) **U.S. Cl.** **D12/107; D12/182**

(58) **Field of Classification Search** D12/3, D12/86, 87, 107, 110, 181, 186, 126, 173, D12/182, 90-92; 180/225, 229, 233, 227, 180/311, 312, 315, 69.2; 280/152.1-152.3, 280/847-852; 296/193.01-193.11

See application file for complete search history.

(56) **References Cited**

U.S. PATENT DOCUMENTS

D512,001 S * 11/2005 Kato et al. D12/107

D517,450 S * 3/2006 Wu D12/107

D525,182 S * 7/2006 Beigel et al. D12/181

7,097,207 B2 * 8/2006 Kudo et al. 280/848

D540,715 S * 4/2007 Basset et al. D12/107

* cited by examiner

Primary Examiner—Cathron C Brooks

Assistant Examiner—Linda Brooks

(74) *Attorney, Agent, or Firm*—Plumsea Law Group, LLC; Mark E. Duell

(57) **CLAIM**

The ornamental design for a body panel for an all terrain vehicle, as shown and described.

DESCRIPTION

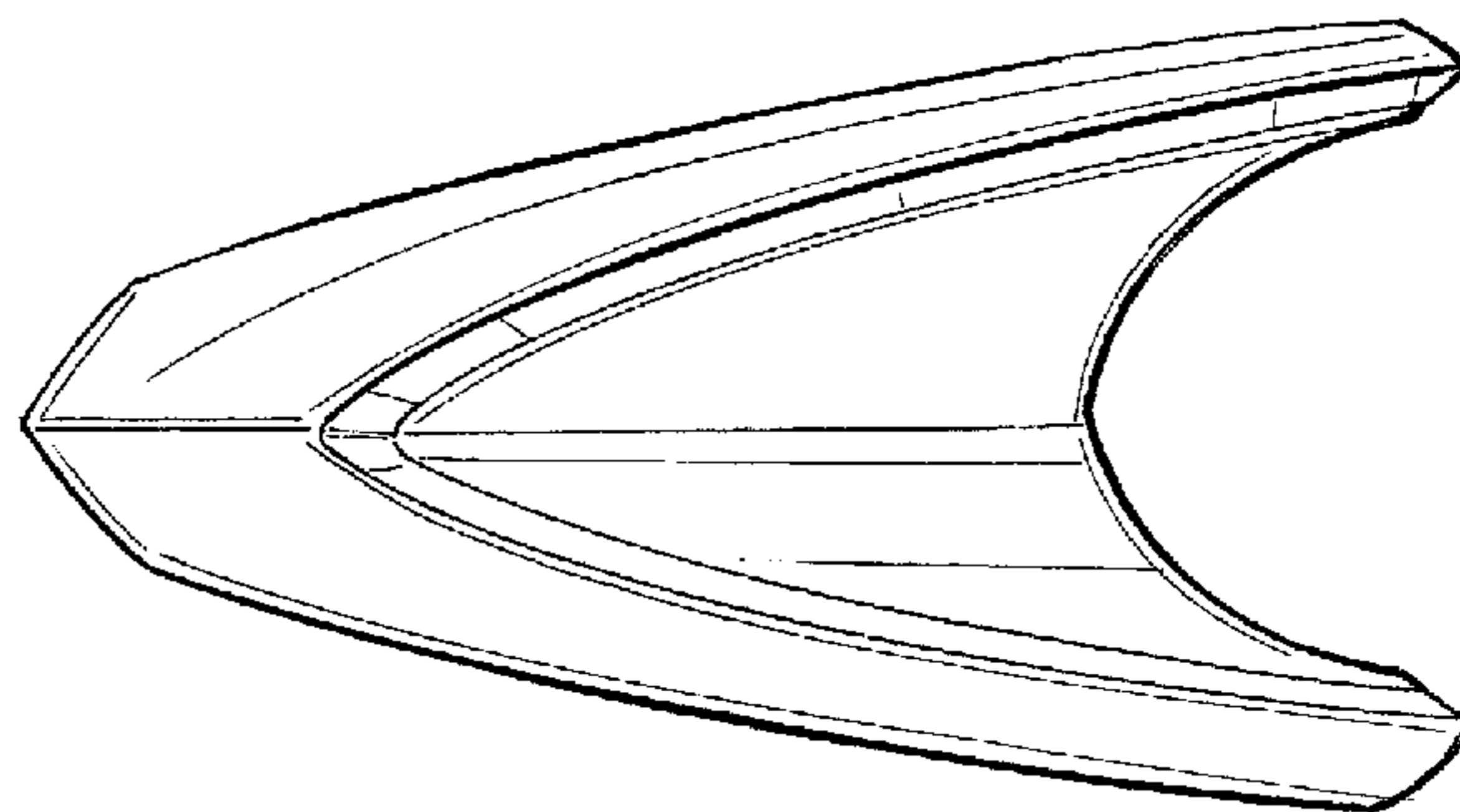
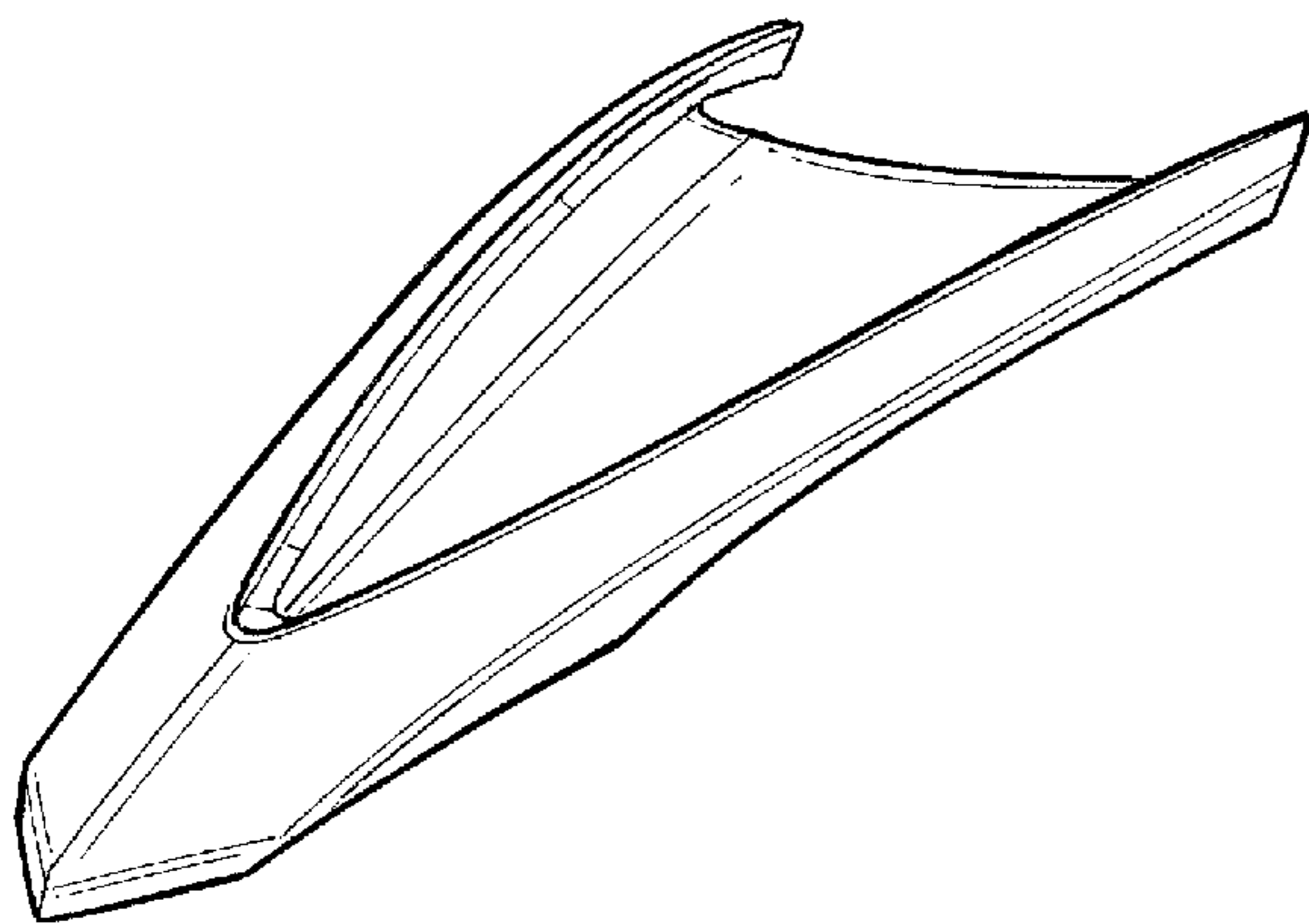
FIG. 1 is a perspective view of a body panel for an all terrain vehicle showing our new design;

FIG. 2 is a top plan view thereof;

FIG. 3 is a side elevational view of one side, the opposite side elevational view being a mirror image thereof; and,

FIG. 4 is a front elevational view thereof.

1 Claim, 2 Drawing Sheets



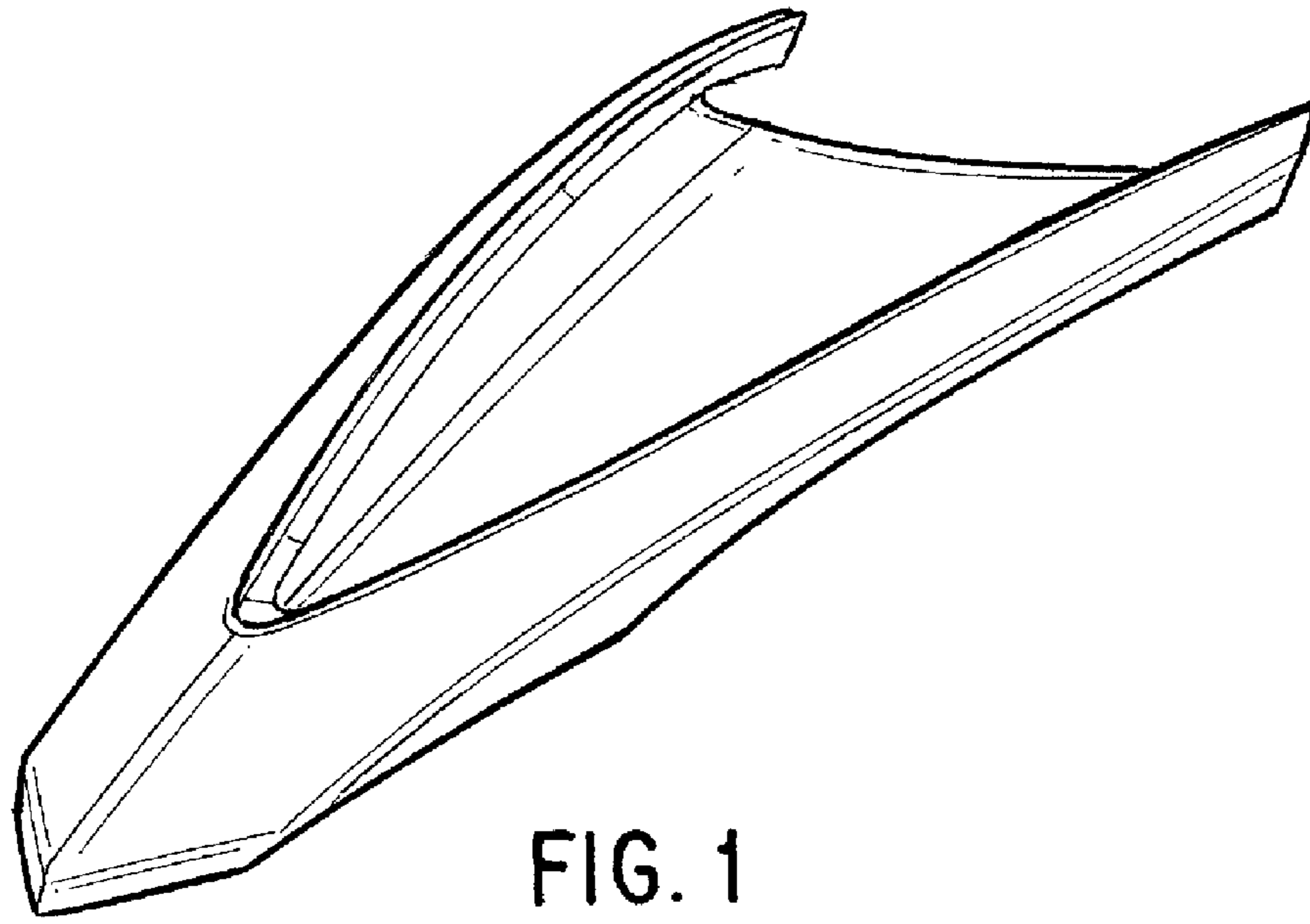


FIG. 1

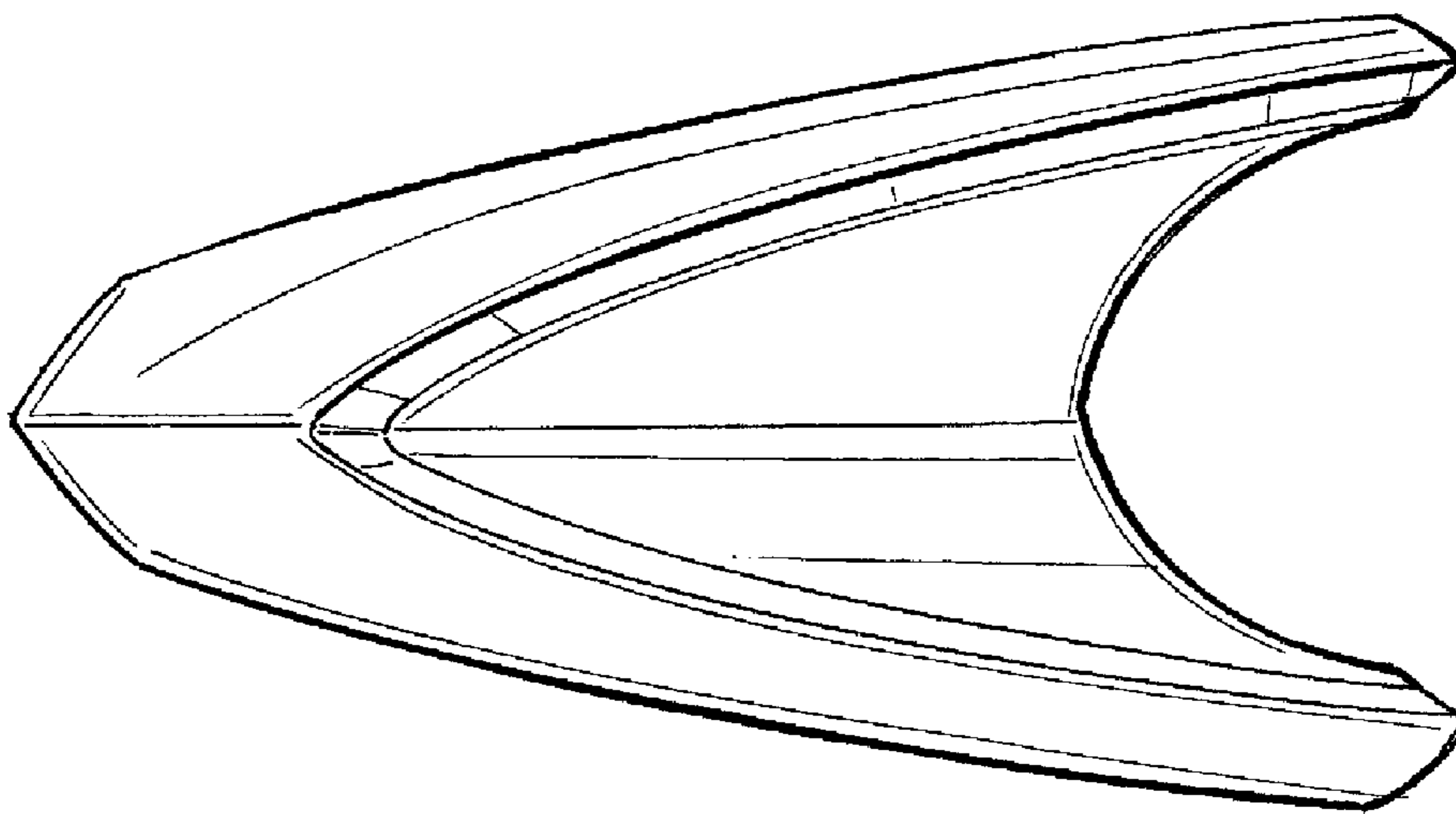


FIG. 2

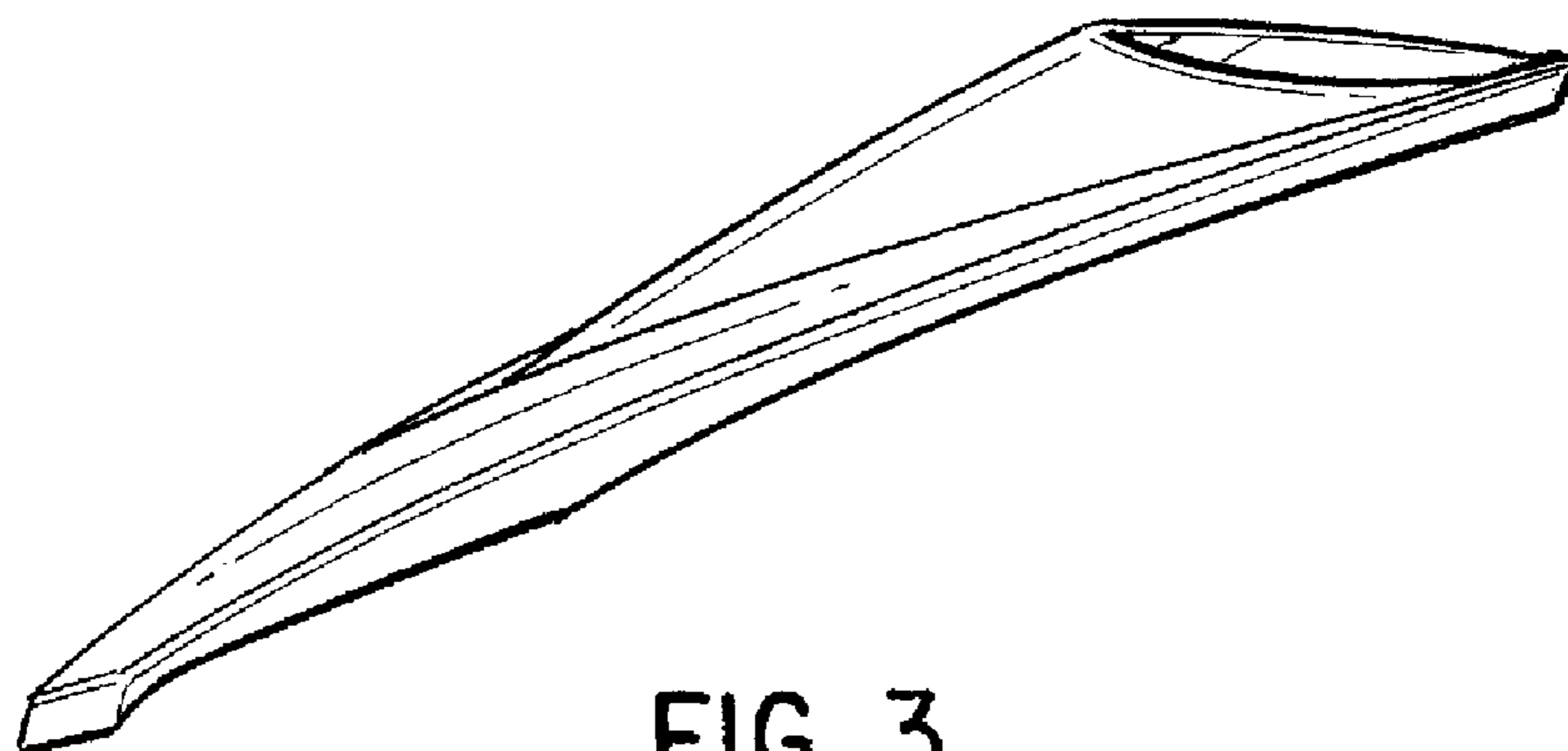


FIG. 3

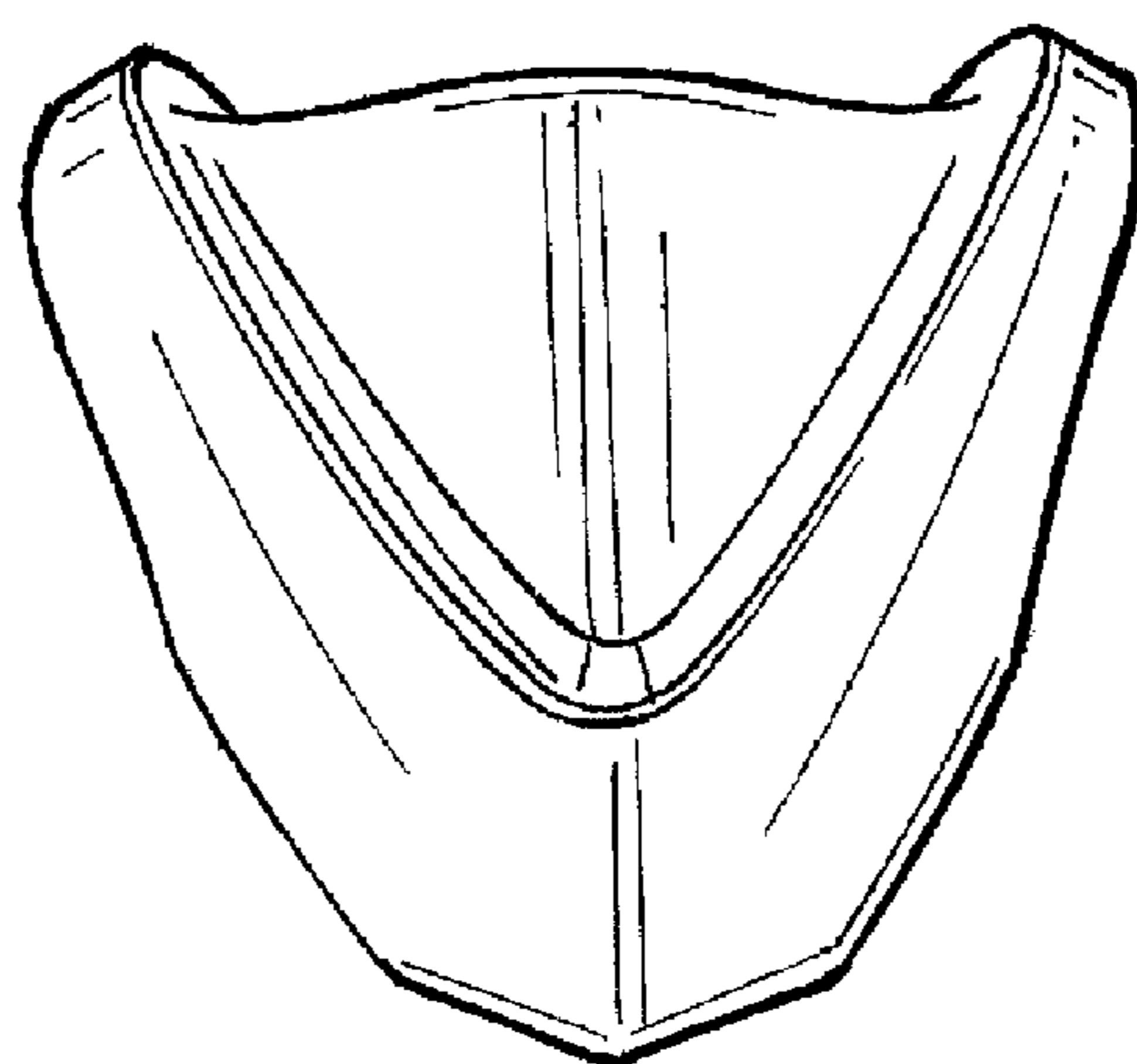


FIG. 4