



US00D583712S

(12) **United States Design Patent**
Voss

(10) **Patent No.:** **US D583,712 S**
(45) **Date of Patent:** **** Dec. 30, 2008**

(54) **DISPLAY AND VEHICLE**

(75) Inventor: **Richard A. Voss**, 12100 Stevens Canyon Rd., Cupertino, CA (US) 95014

(73) Assignee: **Richard A. Voss**, Cupertino, CA (US)

(**) Term: **14 Years**

(21) Appl. No.: **29/267,742**

(22) Filed: **Oct. 20, 2006**

(51) **LOC (8) Cl.** **12-08**

(52) **U.S. Cl.** **D12/93; D12/15; D20/39**

(58) **Field of Classification Search** D20/10,
D20/12, 13, 17, 29, 35, 39, 40, 42, 99; 40/124.01,
40/584, 587-592, 700; 283/56, 81; 362/812;
D12/96, 193, 15, 82, 92, 95, 97, 98, 101,
D12/106; 428/66.5; D15/144; D21/552,
D21/554; 280/5.2, 6.15, 400, 411.1; 296/1.01,
296/21, 24.3, 181, 181.1, 181.3, 183, 183.2,
296/184, 193.05; 298/8 R, 8 T, 11, 17 R,
298/22 R, 23 R, 23 TT

See application file for complete search history.

(56) **References Cited**

U.S. PATENT DOCUMENTS

192,365	A *	6/1877	Fleischmann	40/700
299,751	A *	6/1884	De Planque	428/66.5
D28,455	S *	4/1898	Baker	D15/144
D94,668	S *	2/1935	Drake	D20/99
D94,669	S *	2/1935	Drake	D20/99
D162,354	S *	3/1951	Smith	D20/10
D162,355	S *	3/1951	Smith	D20/10
2,860,436	A *	11/1958	Silver	40/587

3,193,330	A *	7/1965	Hribar, Jr.	297/8 R
3,763,584	A *	10/1973	Falkenstein	40/587
3,771,829	A *	11/1973	Breazeale et al.	298/17 R
D327,665	S *	7/1992	McCrary	D12/96
5,143,496	A *	9/1992	Smith et al.	410/68
5,255,464	A *	10/1993	Marecek	40/591
5,649,730	A *	7/1997	Ramos	296/21
5,657,566	A *	8/1997	Key	40/590
D432,173	S *	10/2000	Baker	D20/17
6,195,925	B1 *	3/2001	Werner	40/591
7,004,548	B1 *	2/2006	Oberg	298/8 T
7,287,349	B1 *	10/2007	MacDonald et al.	40/591
2006/0248763	A1 *	11/2006	Tarabella	40/590
2006/0265922	A1 *	11/2006	Shaffer	40/591
2007/0089337	A1 *	4/2007	Van Kehrberg	40/591

* cited by examiner

Primary Examiner—Caron D. Veynar

Assistant Examiner—Mary Ann Calabrese

(74) *Attorney, Agent, or Firm*—Morgan, Lewis & Bockius LLP

(57) **CLAIM**

An ornamental design for a combined display and vehicle, as shown and described.

DESCRIPTION

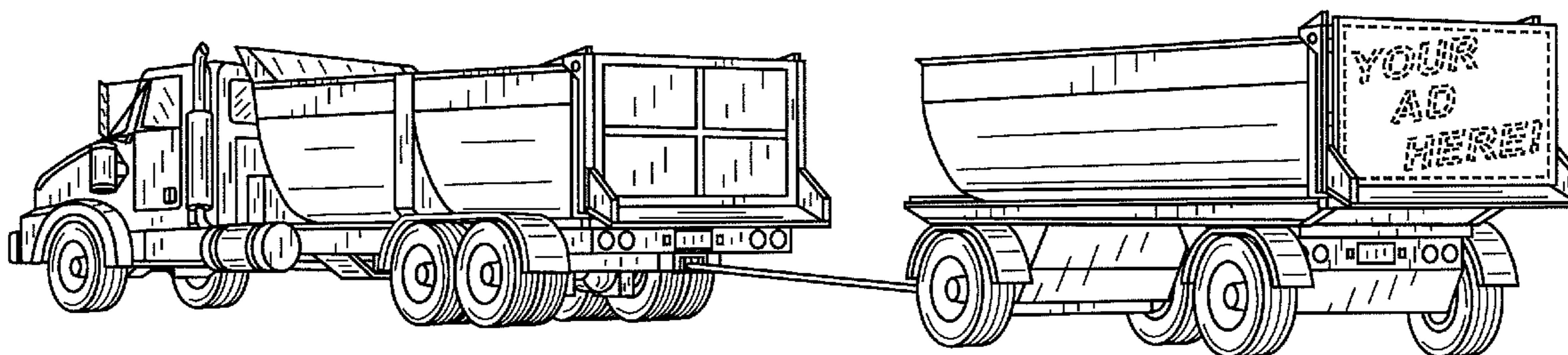
FIG. 1 is a back perspective view of my new design;

FIG. 2 is a back view of FIG. 1; and,

FIG. 3 is a side view of FIG. 1.

The broken lines showing elements of the display on a vehicle in the above described figures are for illustrative purposes only and form no part of the claimed design.

1 Claim, 3 Drawing Sheets



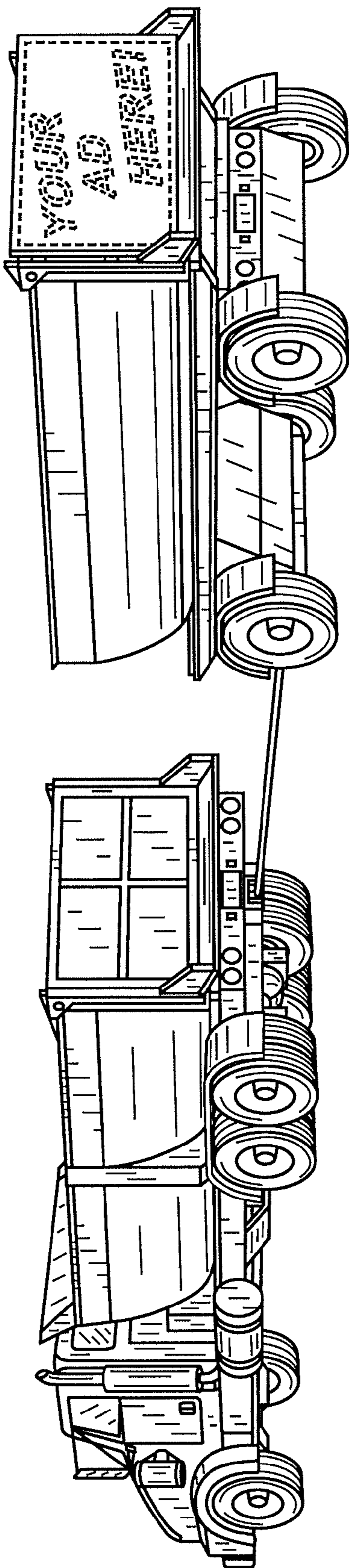


FIG. 1

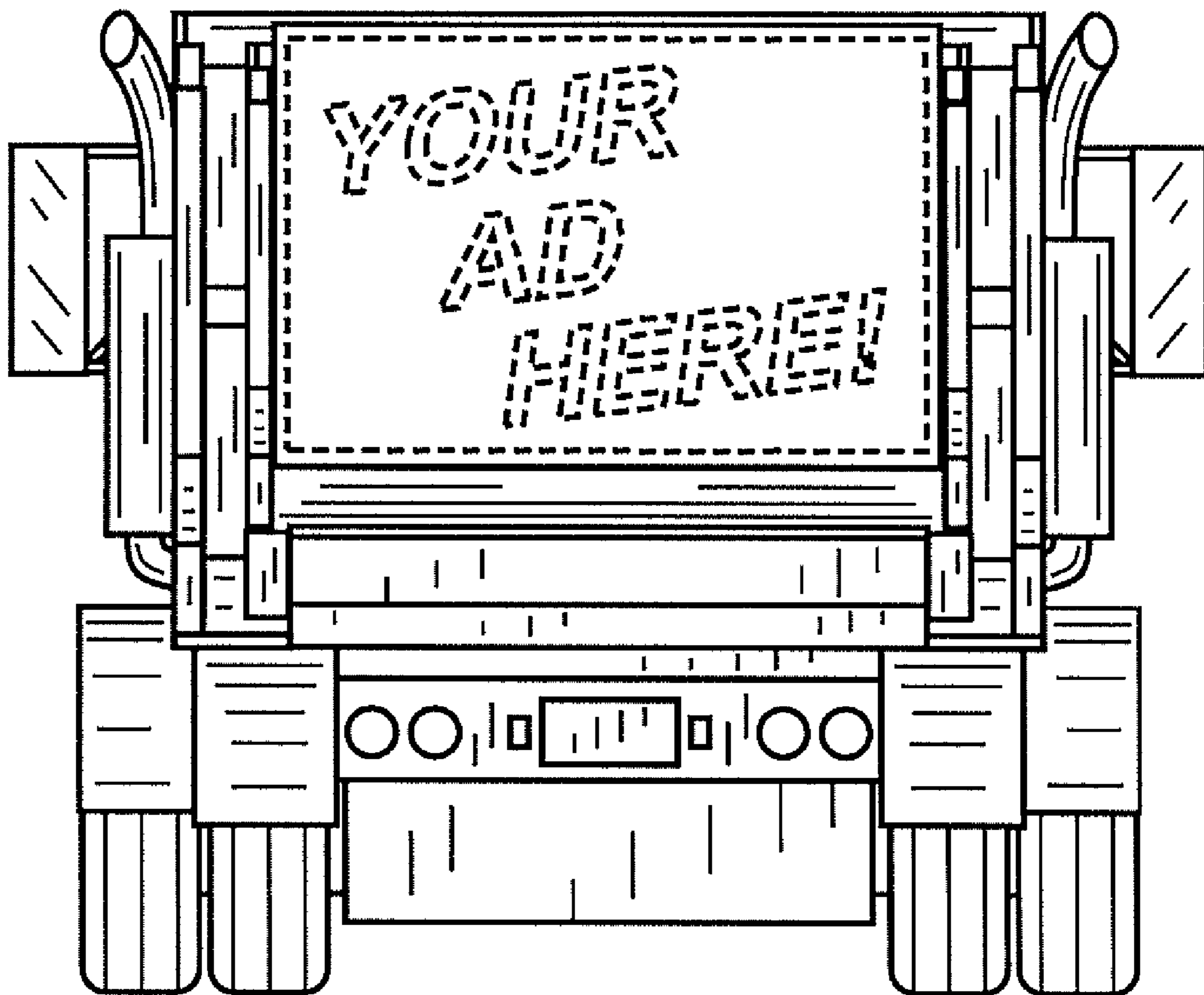


FIG. 2

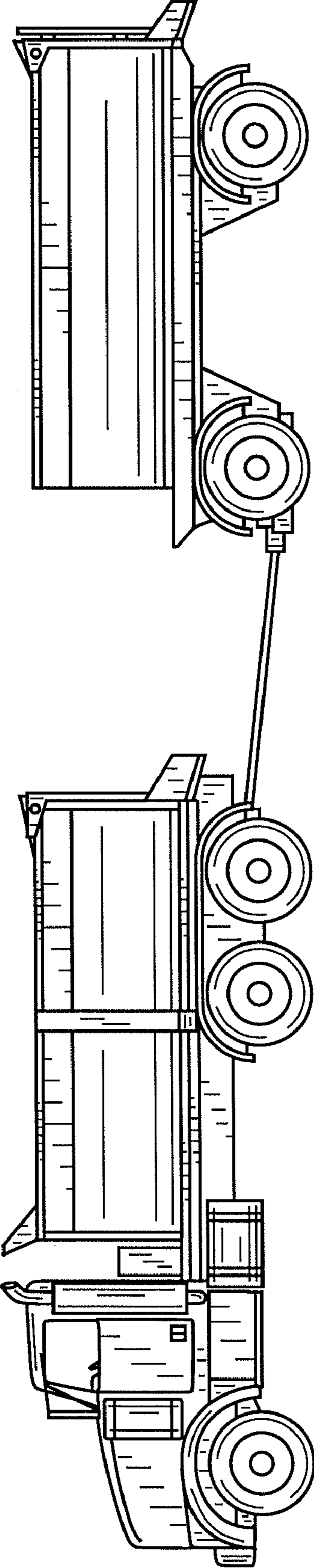


FIG. 3

UNITED STATES PATENT AND TRADEMARK OFFICE
CERTIFICATE OF CORRECTION

PATENT NO. : Des. 583,712 S
APPLICATION NO. : 29/267742
DATED : December 30, 2008
INVENTOR(S) : Richard A. Voss

Page 1 of 1

It is certified that error appears in the above-identified patent and that said Letters Patent is hereby corrected as shown below:

On front page of the patent, item (54) and Col. 1, **please replace the title** "DISPLAY AND VEHICLE", with the following title --COMBINED DISPLAY AND VEHICLE--

Signed and Sealed this

Twenty-ninth Day of September, 2009



David J. Kappos
Director of the United States Patent and Trademark Office