



US00D583708S

(12) **United States Design Patent**
Petit et al.

(10) **Patent No.:** **US D583,708 S**
(45) **Date of Patent:** **** Dec. 30, 2008**

(54) **SNOWMOBILE HOOD**

D477,248 S 7/2003 Cadotte et al.

(75) Inventors: **Philippe Petit**, Orford (CA); **Christian Lepine**, Sherbrooke (CA); **Pierre Vignau**, Quebec (CA)

D478,297 S 8/2003 Cadotte et al.

D478,532 S 8/2003 Crepeau et al.

(73) Assignee: **BRP Finland Oy**, Rovaniemi (FI)

(Continued)

(**) Term: **14 Years**

OTHER PUBLICATIONS

(21) Appl. No.: **29/303,035**

U.S. Appl. No. 29/303,029, filed Jan. 30, 2008. Title: Snowmobile.

(22) Filed: **Jan. 30, 2008**

(Continued)

(51) **LOC (8) Cl.** **12-14**

(52) **U.S. Cl.** **D12/7**

(58) **Field of Classification Search** D12/7,
D12/110, 111, 9, 112, 307, 400, 86, 85, 88;
D21/533; 180/182, 190, 184-186, 9.25,
180/180, 219, 193, 194; 280/845; D6/354
See application file for complete search history.

Primary Examiner—Robert M Spear

Assistant Examiner—Ania K Dworzecka

(74) *Attorney, Agent, or Firm*—Osler, Hoskin & Harcourt LLP

(57) **CLAIM**

The ornamental design for a snowmobile hood, as shown and described.

(56) **References Cited**

U.S. PATENT DOCUMENTS

D253,883 S	1/1980	Shimasaki
D264,830 S	6/1982	Ishiyama
D273,185 S	3/1984	Ishiyama
D278,892 S	5/1985	Kobayashi
D314,535 S	2/1991	Matsue
D319,607 S	9/1991	Lapointe
D328,575 S	8/1992	Berto
D334,374 S	3/1993	Hornai
D342,044 S	12/1993	Hornai
D342,220 S	12/1993	Hornai
D346,137 S	4/1994	Hornai
D389,780 S	1/1998	Komatsu et al.
D403,272 S	12/1998	Cadotte et al.
D403,273 S	12/1998	Cadotte et al.
D438,821 S	3/2001	Cadotte et al.
D446,166 S	8/2001	Cadotte et al.
D457,106 S	5/2002	Cadotte et al.
D457,202 S	5/2002	Baskin et al.
D466,049 S	11/2002	Cadotte
D468,547 S	1/2003	Cadotte et al.
D477,247 S	7/2003	Cadotte et al.

DESCRIPTION

FIG. 1 is a front left perspective view showing a snowmobile hood according to our design;

FIG. 2 is a front elevation view thereof;

FIG. 3 is a rear elevation view thereof;

FIG. 4 is a left side elevation view thereof;

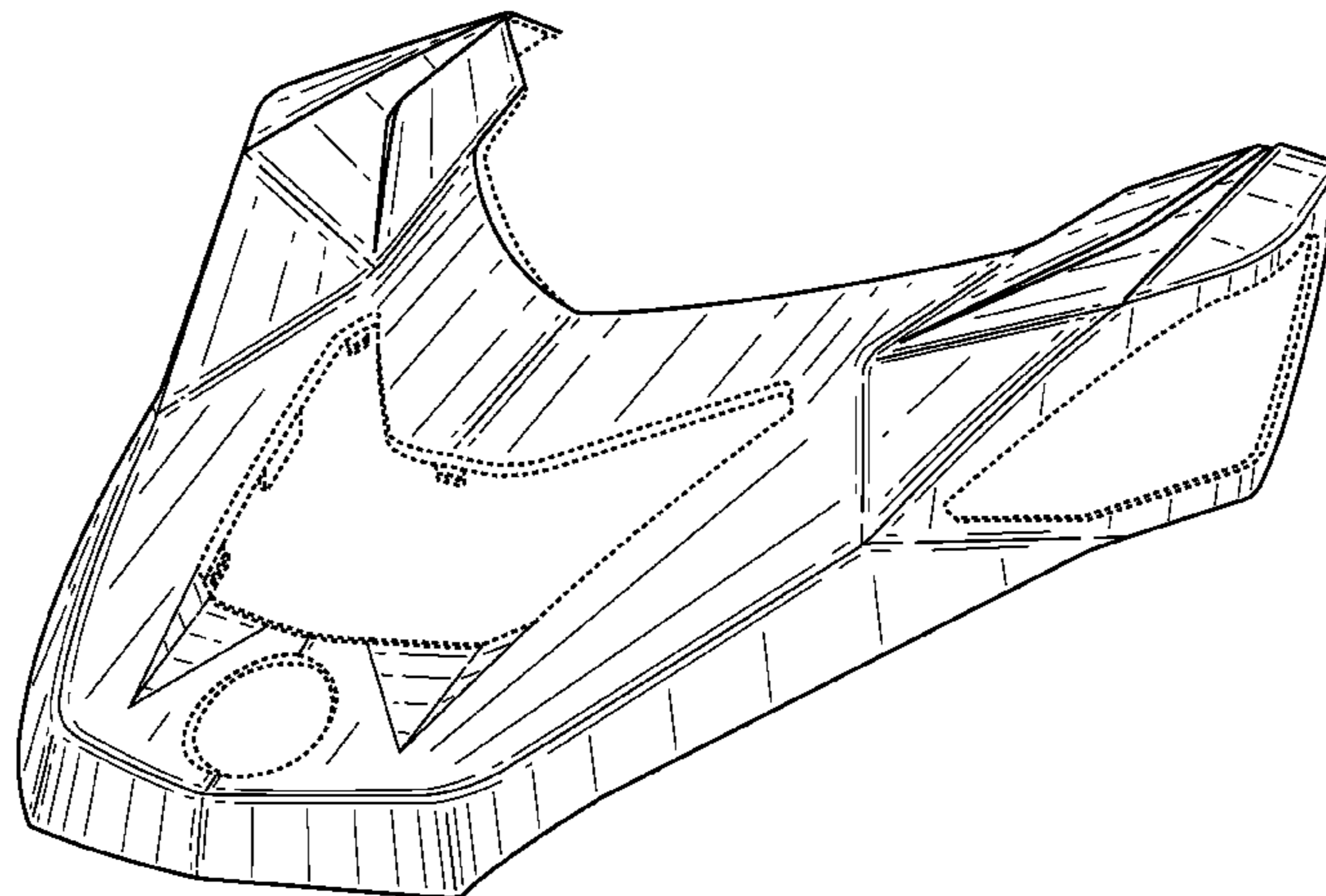
FIG. 5 is a right side elevation view thereof;

FIG. 6 is a top plan view thereof; and,

FIG. 7 is a bottom plan view thereof.

Throughout the Figures, broken lines showing structure are for illustrative purposes only and form no part of the claimed design.

1 Claim, 7 Drawing Sheets



US D583,708 S

Page 2

U.S. PATENT DOCUMENTS

D479,490 S	9/2003	Cadotte et al.	D495,973 S	9/2004	Cadotte et al.
D479,696 S	9/2003	Cadotte et al.	D496,883 S	10/2004	Sanschagrín et al.
D479,697 S	9/2003	Cadotte et al.	D499,669 S	12/2004	Sanschagrín et al.
D479,813 S	9/2003	Cadotte et al.	D505,889 S	6/2005	Girouard et al.
D479,814 S	9/2003	Cadotte et al.	D511,998 S	11/2005	Deluy
D479,815 S	9/2003	Crepeau et al.	D512,662 S	12/2005	Deluy
D479,816 S	9/2003	Crepeau et al.	D515,457 S	2/2006	Deluy
D480,019 S	9/2003	Cadotte et al.	D516,006 S *	2/2006	Bucaccio et al. D12/307
D480,020 S	9/2003	Crepeau et al.	D541,192 S	4/2007	Jokelainen
D487,233 S	3/2004	Cadotte et al.	D548,136 S	8/2007	Musselman
D487,413 S	3/2004	Cadotte et al.	D548,137 S	8/2007	Curthelet
D488,094 S	4/2004	Cadotte et al.	D548,645 S	8/2007	Curthelet
D488,095 S	4/2004	Cadotte et al.	D550,603 S *	9/2007	Cote et al. D12/307
D488,096 S	4/2004	Cadotte et al.	D552,506 S	10/2007	Deluy
D488,097 S	4/2004	Cadotte et al.	D563,271 S	3/2008	Curthelet
D488,098 S	4/2004	Cadotte et al.	D569,330 S *	5/2008	Hattori et al. D12/307
D488,404 S	4/2004	Cadotte et al.			
D493,121 S	7/2004	Sanschagrín et al.			
D493,390 S	7/2004	Sanschagrín et al.			
D494,100 S	8/2004	Sanschagrín et al.			
D494,502 S	8/2004	Sanschagrín et al.			
D494,503 S	8/2004	Sanschagrín et al.			
D494,504 S	8/2004	Sanschagrín et al.			
D494,505 S	8/2004	Sanschagrín et al.			
D494,889 S	8/2004	Sanschagrín et al.			
D495,274 S	8/2004	Sanschagrín et al.			

OTHER PUBLICATIONS

U.S. Appl. No. 29/303,030, filed Jan. 30, 2008. Title: Snowmobile Side Panel.
U.S. Appl. No. 29/303,032, filed Jan. 30, 2008. Title: Snowmobile Side Panel.
U.S. Appl. No. 29/303,034, filed Jan. 30, 2008. Title: Snowmobile Access Panel.
U.S. Appl. No. 29/303,033, filed Jan. 30, 2008. Title: Snowmobile Access Panel.

* cited by examiner

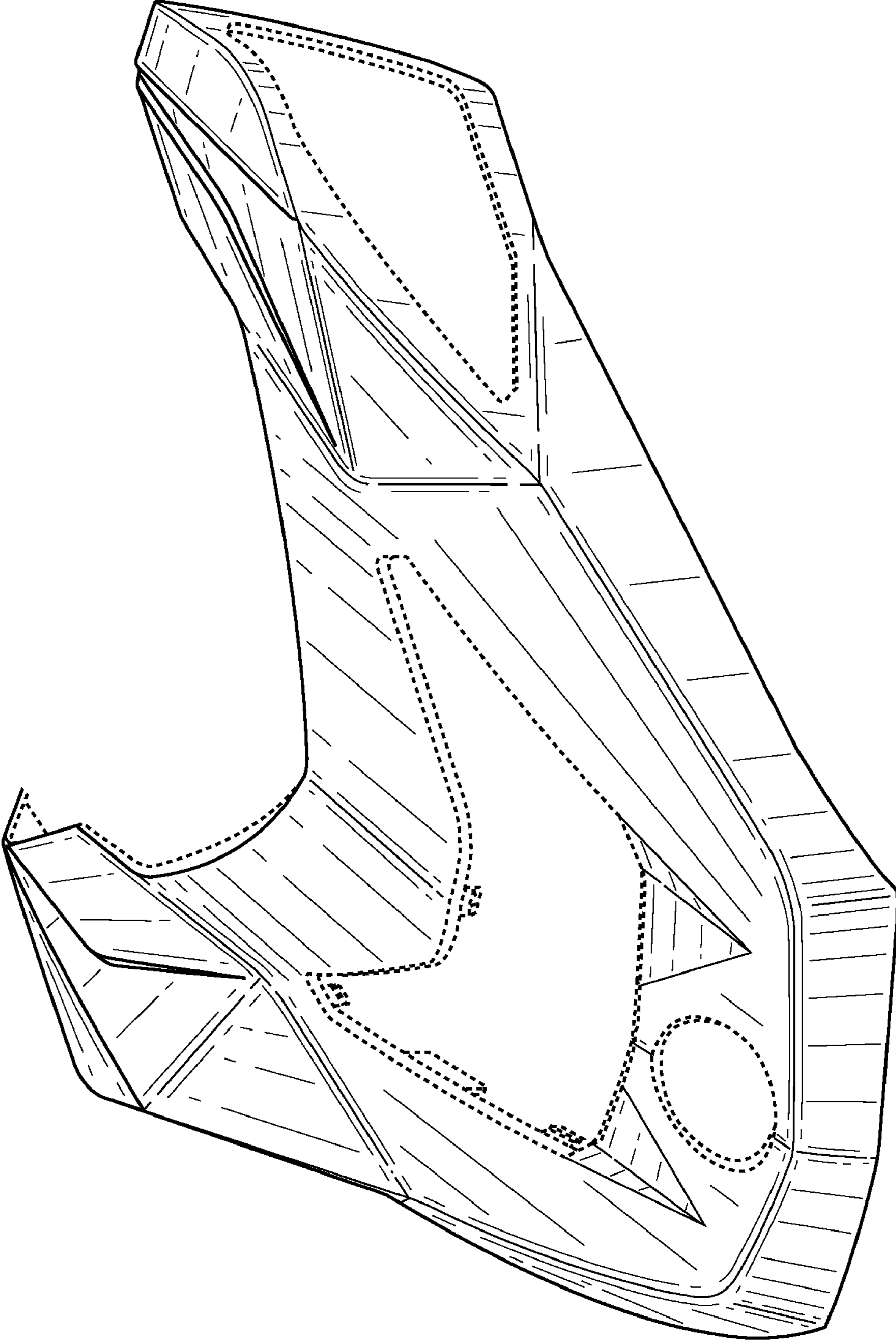


FIG. 1

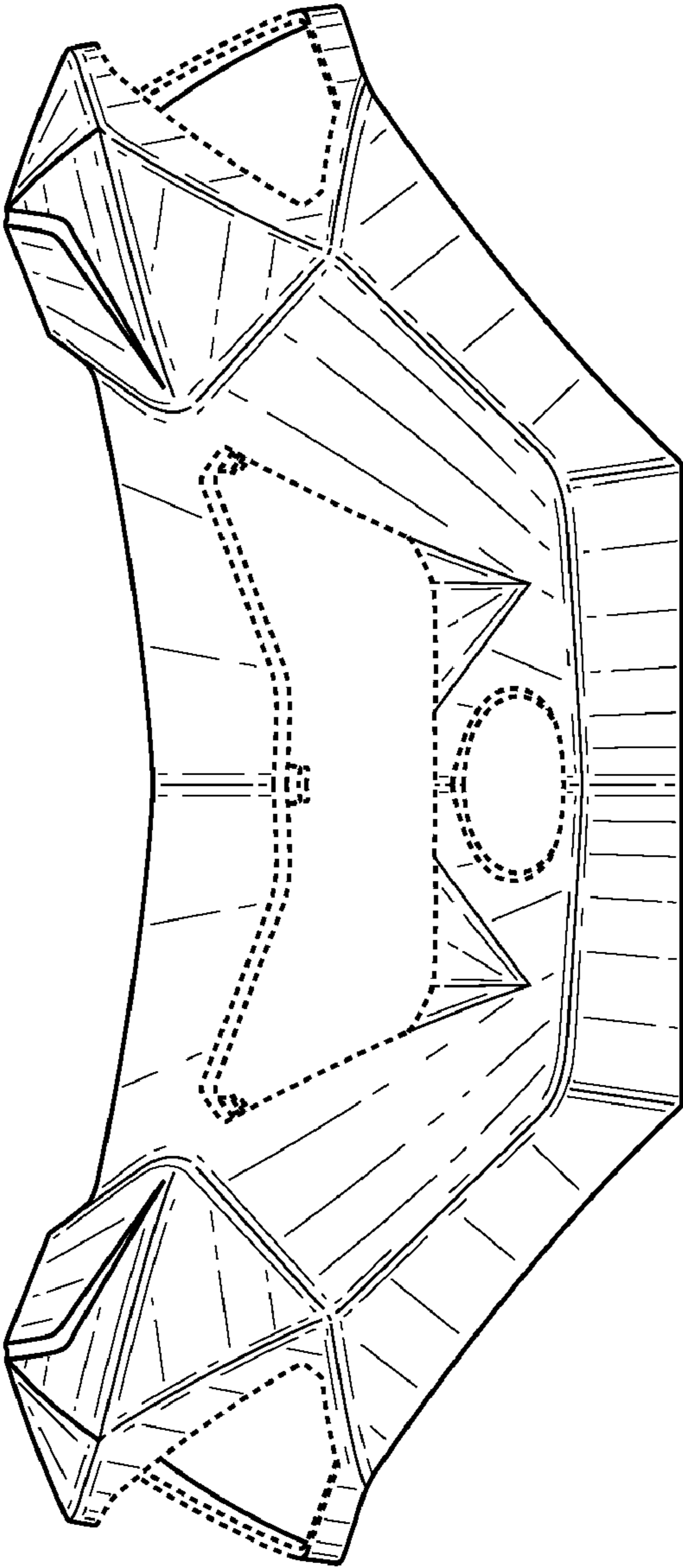


FIG. 2

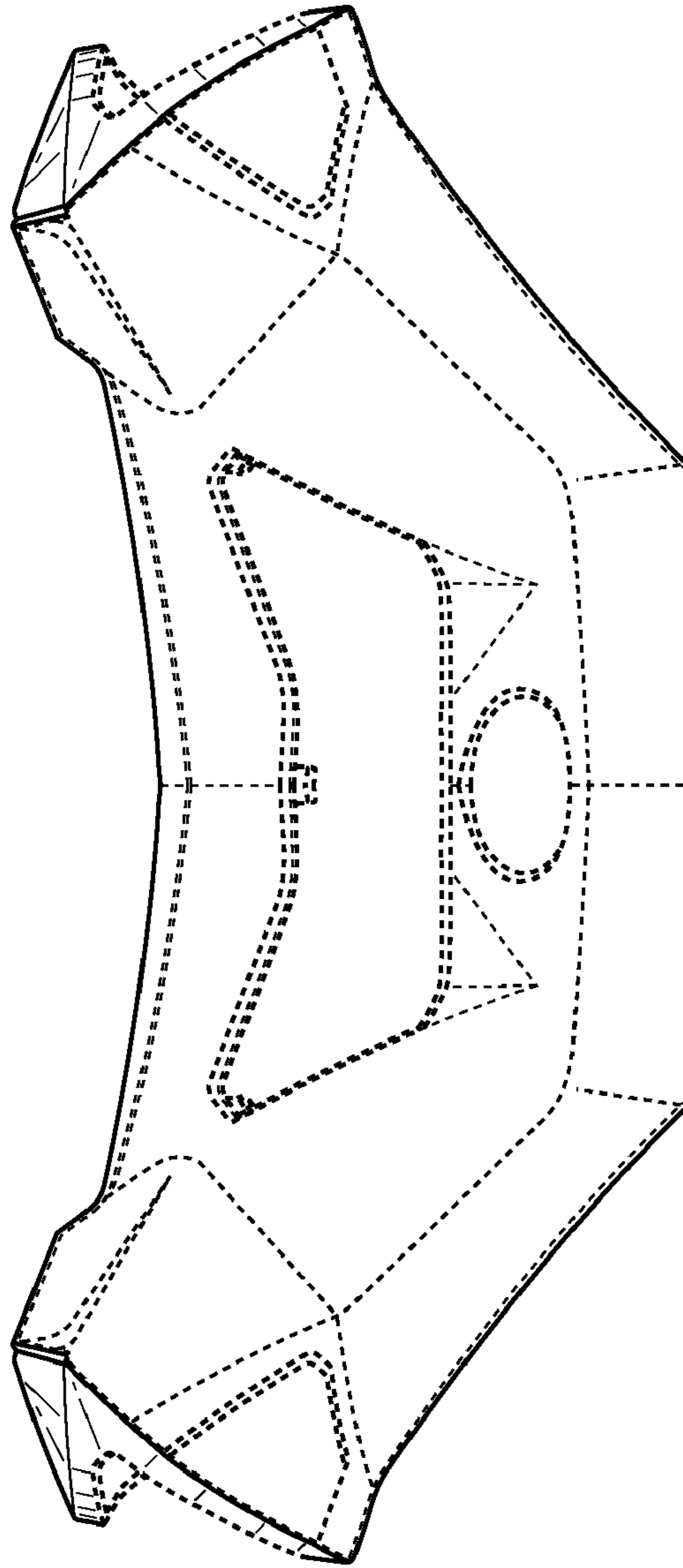


FIG. 3

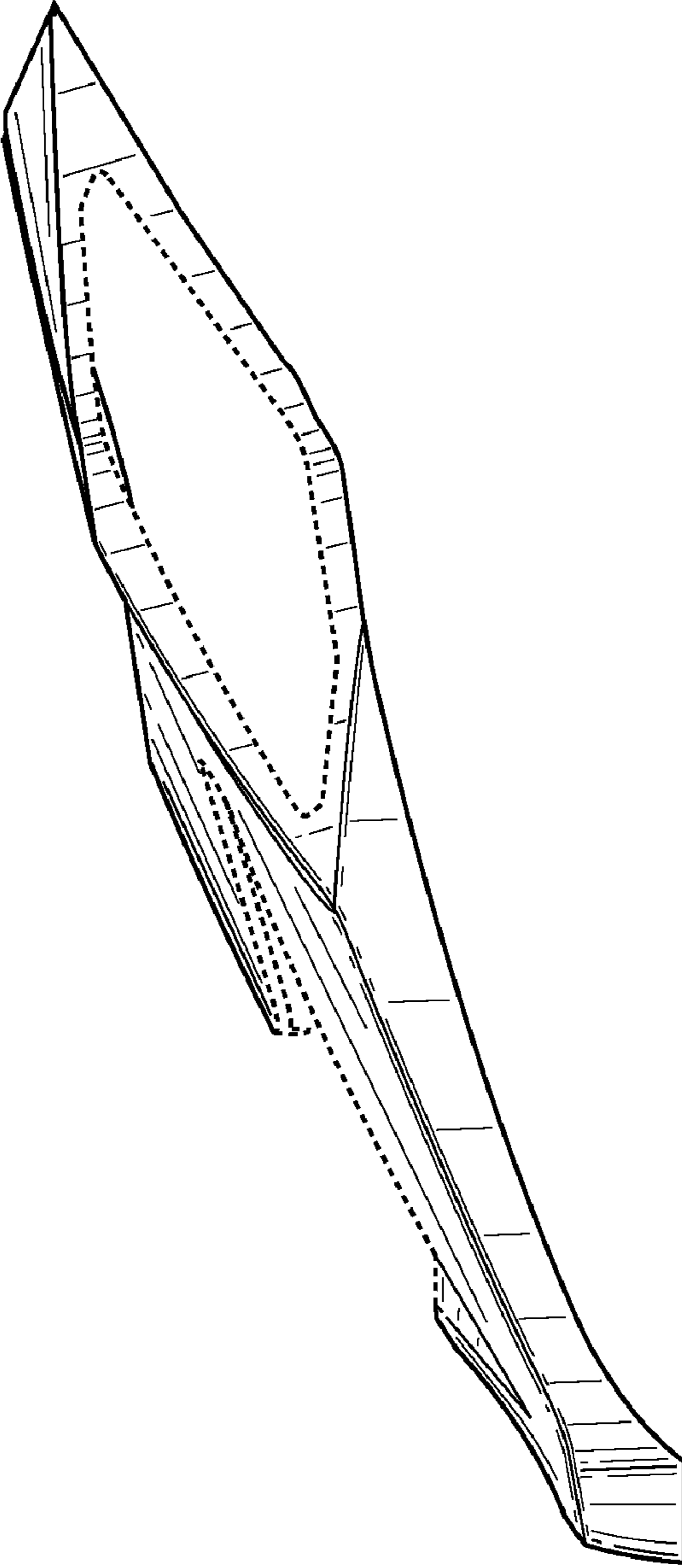


FIG. 4

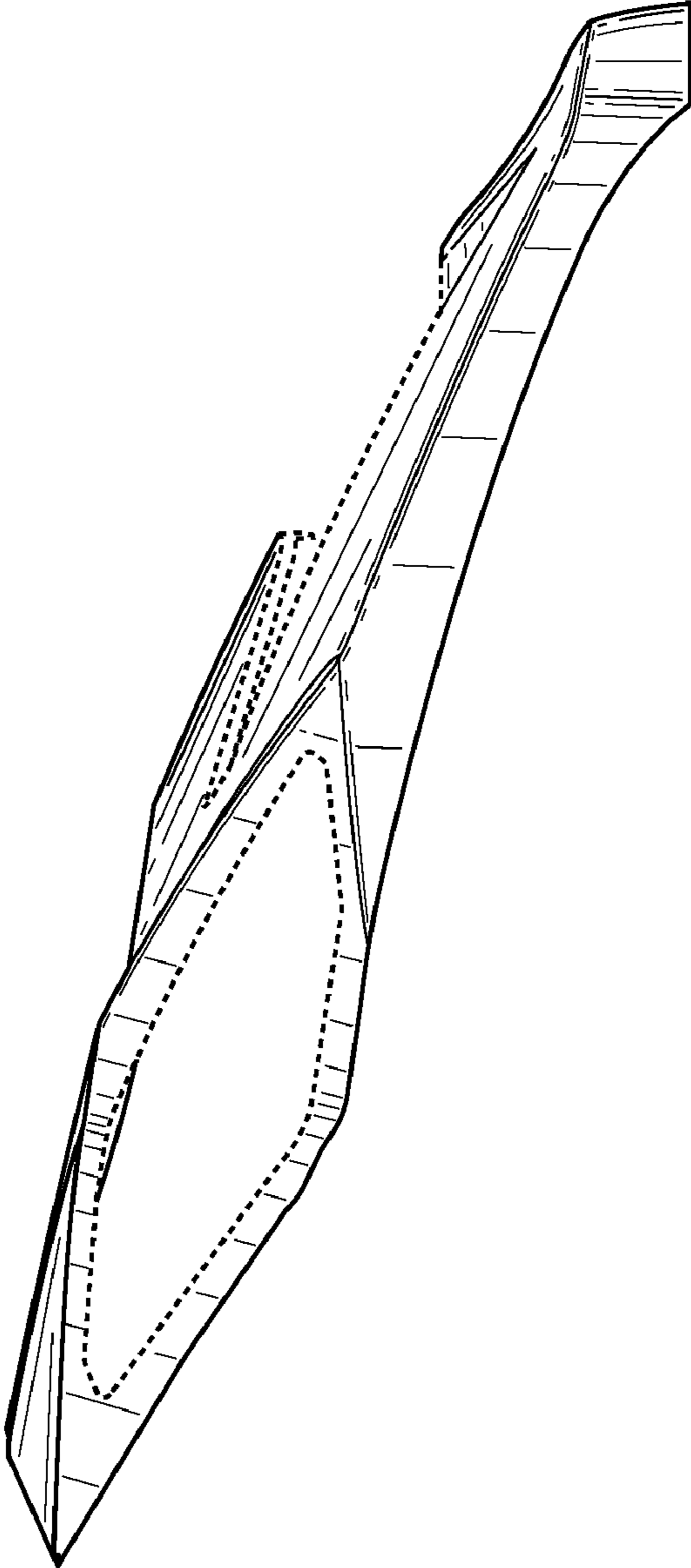


FIG. 5

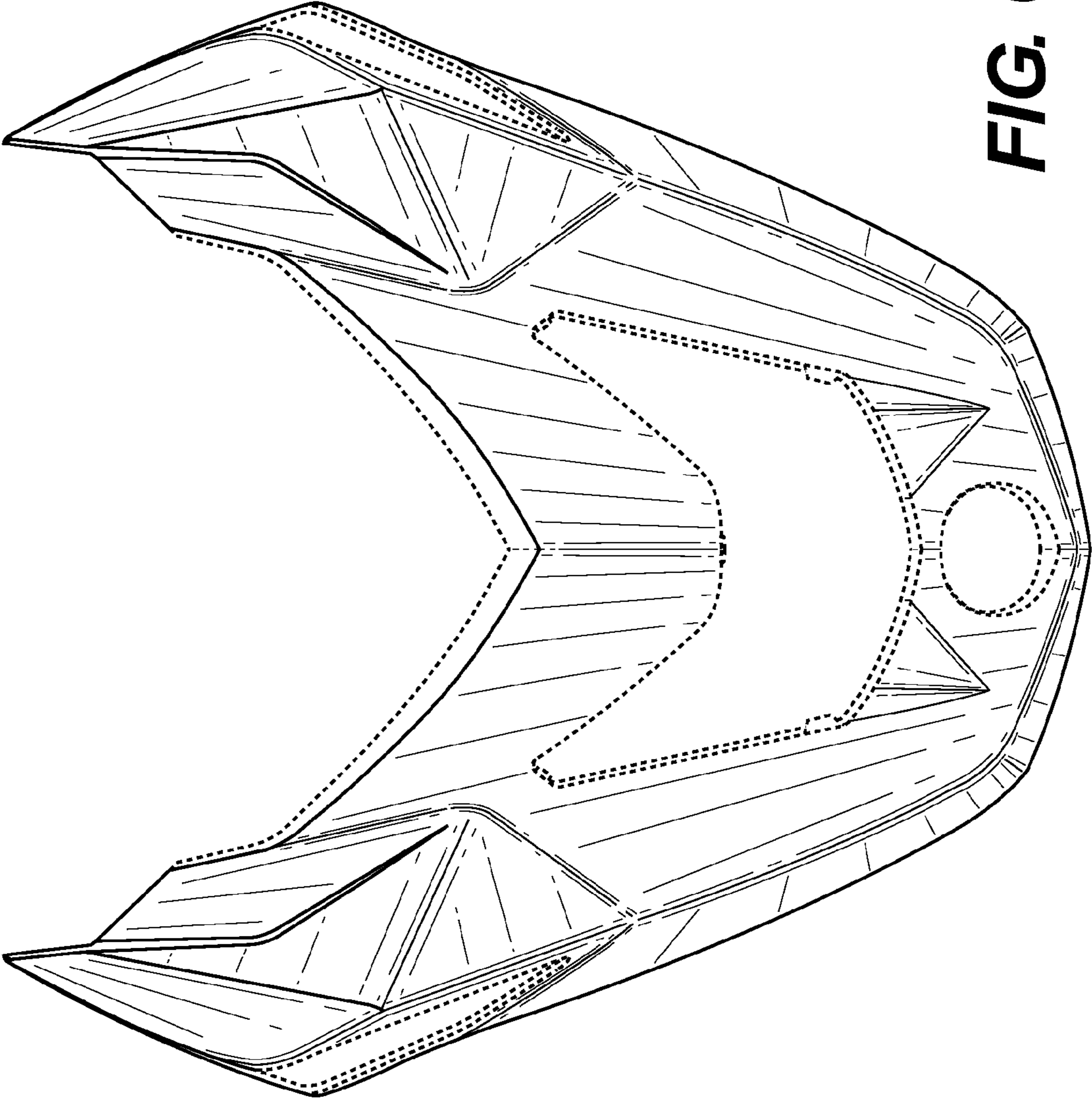


FIG. 6

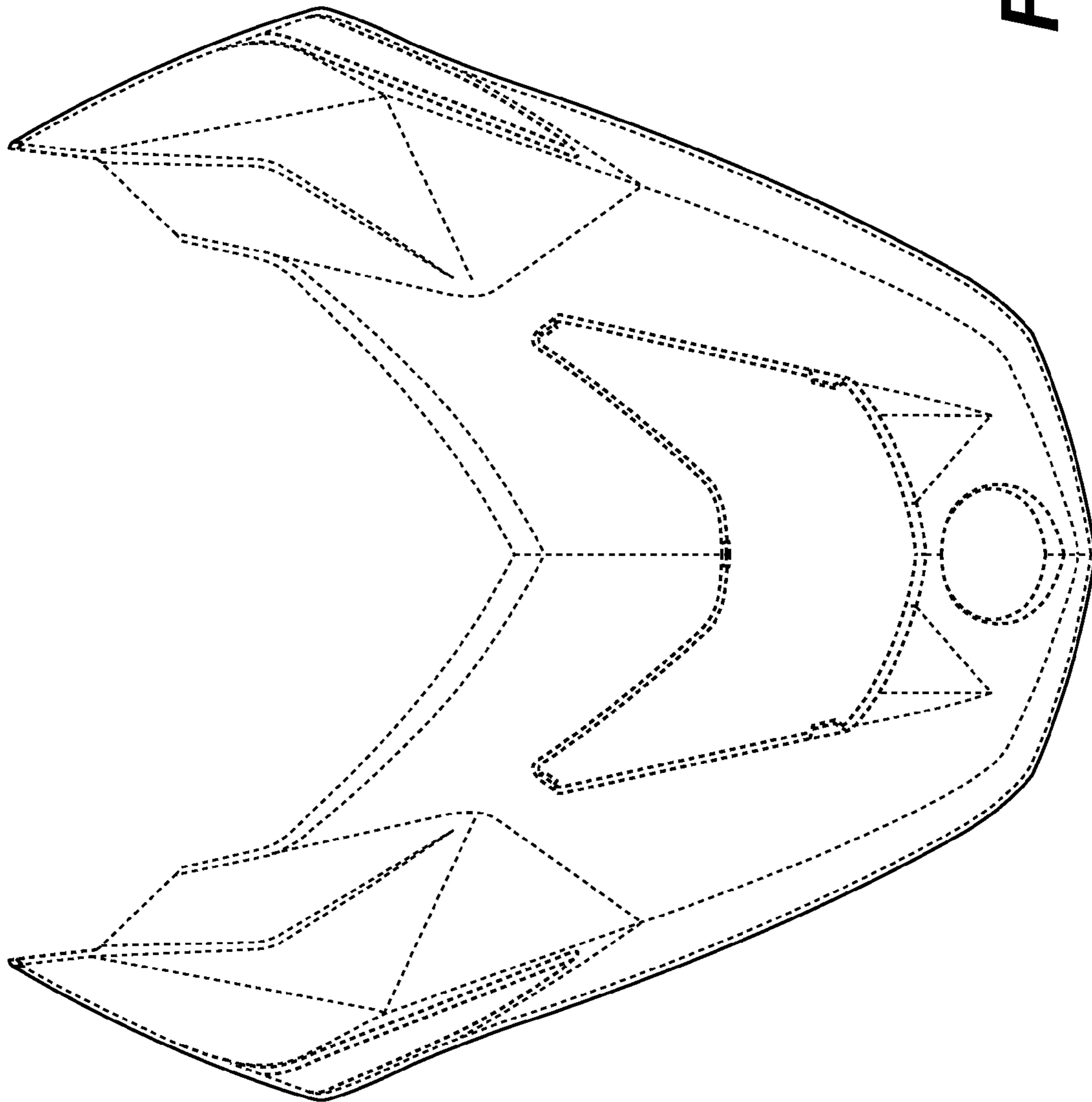


FIG. 7