



US00D583707S

(12) **United States Design Patent**  
**Longpre et al.**

(10) **Patent No.:** **US D583,707 S**  
(45) **Date of Patent:** **\*\* Dec. 30, 2008**

(54) **SNOWMOBILE SIDE PANEL**

(75) Inventors: **Guillaume Longpre**, Granby (CA);  
**Martin Portelance**, Chicoutimi (CA);  
**Etienne Guay**, Orford (CA)

(73) Assignee: **Bombardier Recreational Products, Inc.**, Valcourt (CA)

(\*\*) Term: **14 Years**

(21) Appl. No.: **29/303,026**

(22) Filed: **Jan. 30, 2008**

(51) **LOC (8) Cl.** ..... **12-14**

(52) **U.S. Cl.** ..... **D12/7**

(58) **Field of Classification Search** ..... D12/7,  
D12/110, 111, 9, 112, 307, 400, 86, 85, 88;  
D21/533; 180/182, 190, 184-186, 9.25,  
180/180, 219, 193, 194; 280/845; D6/354  
See application file for complete search history.

(56) **References Cited**

**U.S. PATENT DOCUMENTS**

|            |         |                |
|------------|---------|----------------|
| D253,883 S | 1/1980  | Shimasaki      |
| D264,830 S | 6/1982  | Ishiyama       |
| D273,185 S | 3/1984  | Ishiyama       |
| D278,892 S | 5/1985  | Kobayashi      |
| D314,535 S | 2/1991  | Matsue         |
| D319,607 S | 9/1991  | Anselme        |
| D328,575 S | 8/1992  | Berto          |
| D334,374 S | 3/1993  | Hornai         |
| D342,044 S | 12/1993 | Hornai         |
| D342,220 S | 12/1993 | Hornai         |
| D346,137 S | 4/1994  | Hornai         |
| D389,780 S | 1/1998  | Komatsu et al. |
| D403,272 S | 12/1998 | Cadotte et al. |
| D403,273 S | 12/1998 | Cadotte et al. |
| D438,821 S | 3/2001  | Cadotte et al. |
| D446,166 S | 8/2001  | Cadotte et al. |

(Continued)

**OTHER PUBLICATIONS**

U.S. Appl. No. 29/303,022 filed on Jan. 30, 2008. Title: Snowmobile.

(Continued)

*Primary Examiner*—Robert M. Spear

*Assistant Examiner*—Ania K Dworzecka

(74) *Attorney, Agent, or Firm*—Osler, Hoskin & Harcourt LLP

(57) **CLAIM**

The ornamental design for a snowmobile side panel, as shown and described.

**DESCRIPTION**

FIG. 1 is a front right perspective view showing a first embodiment of a snowmobile side panel according to our design;

FIG. 2 is rear elevation view thereof;

FIG. 3 is a front elevation view thereof;

FIG. 4 is a right side elevation view thereof;

FIG. 5 is a left side elevation view thereof;

FIG. 6 is a top plan view thereof;

FIG. 7 is a bottom plan view thereof;

FIG. 8 is a front left perspective view showing a second embodiment of a snowmobile side panel according to our design, being a mirror image of the first embodiment;

FIG. 9 is rear elevation view thereof;

FIG. 10 is a front elevation view thereof;

FIG. 11 is a left side elevation view thereof;

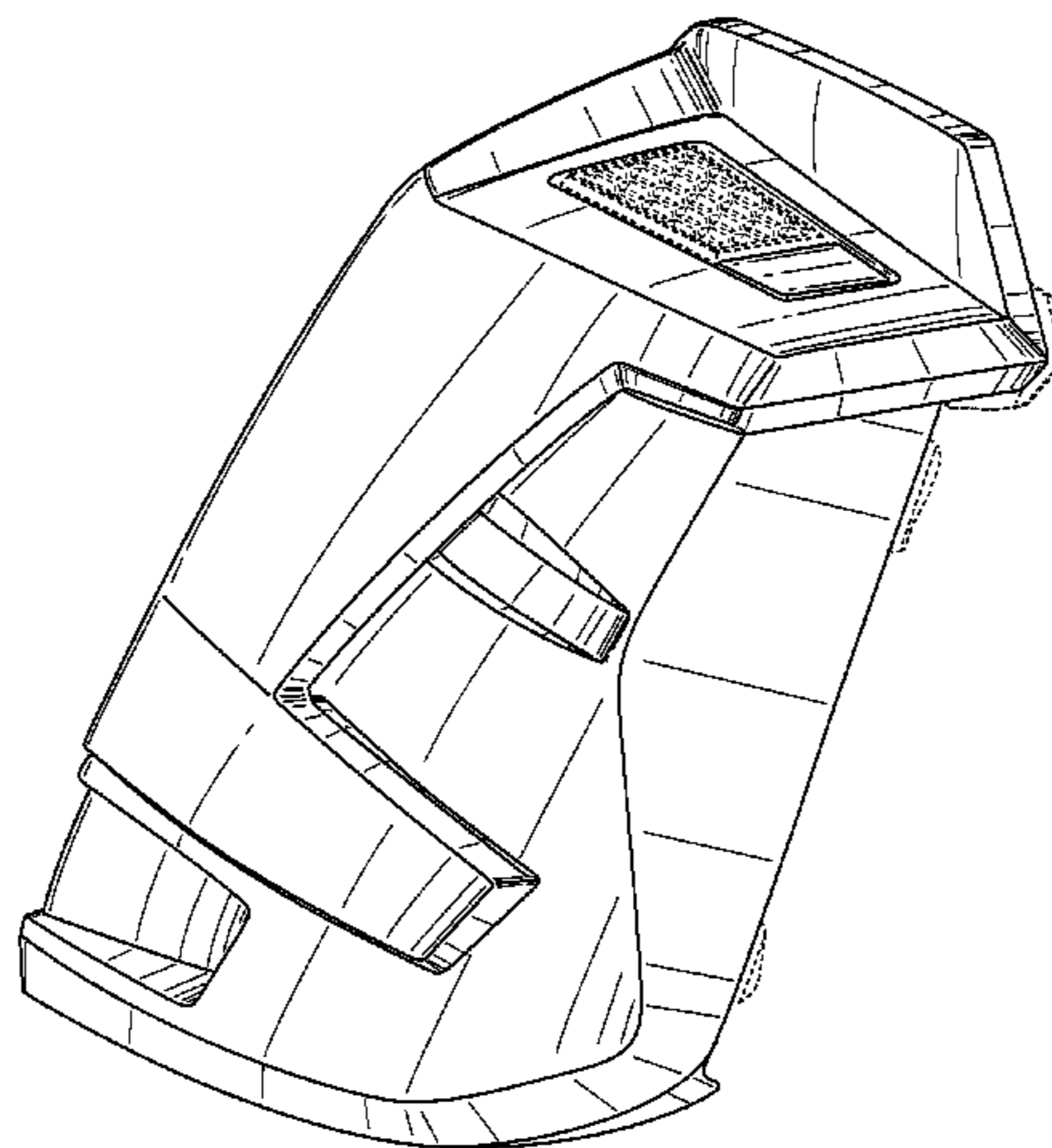
FIG. 12 is a right side elevation view thereof;

FIG. 13 is a top plan view thereof; and,

FIG. 14 is a bottom plan view thereof.

The broken lines immediately adjacent the shaded areas represent boundaries of the claimed design while all other broken lines illustrate unclaimed portions of the snowmobile access panel. The broken lines form no part of the claim.

**1 Claim, 14 Drawing Sheets**



# US D583,707 S

Page 2

## U.S. PATENT DOCUMENTS

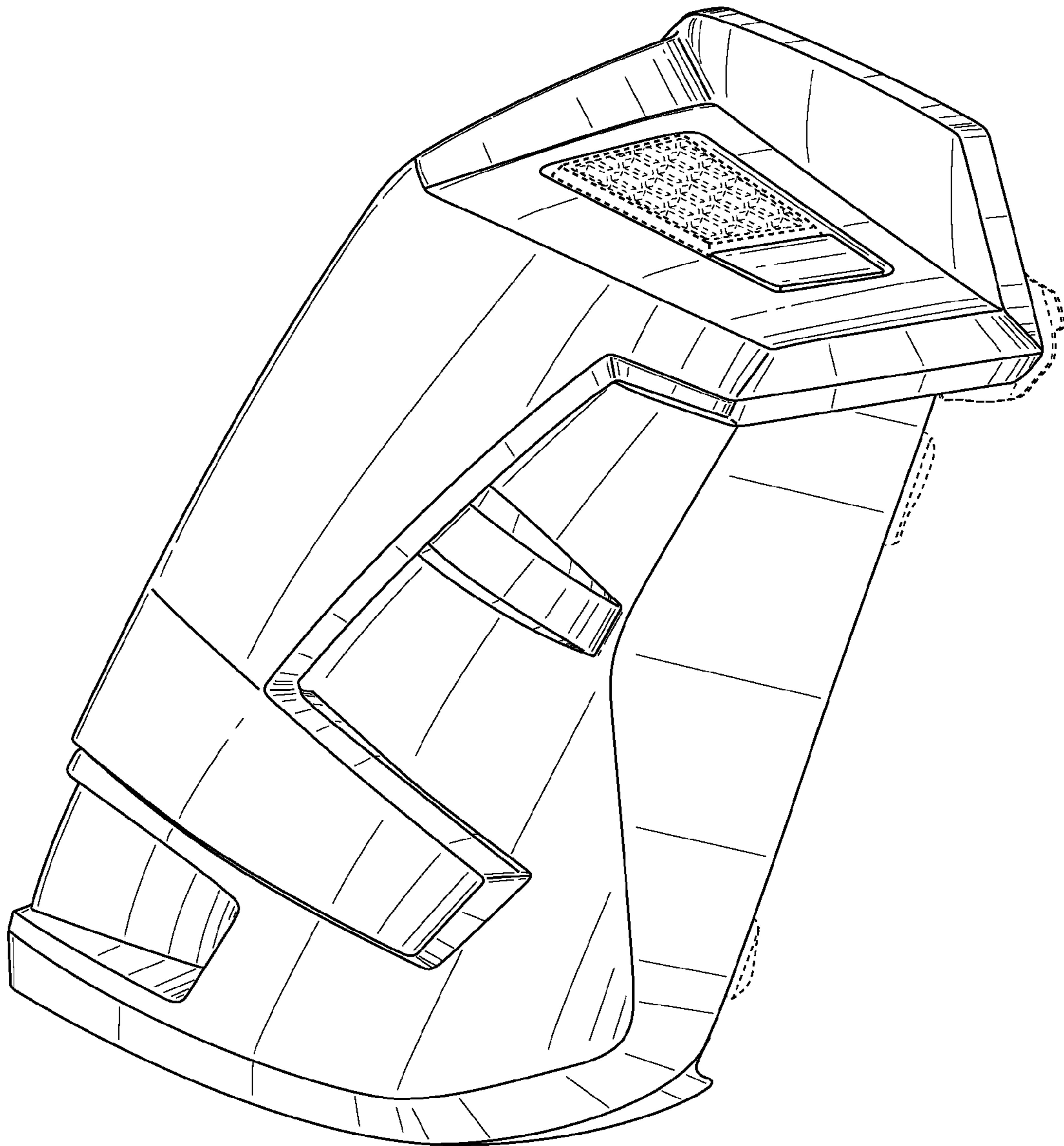
|            |         |                    |                   |         |                            |
|------------|---------|--------------------|-------------------|---------|----------------------------|
| D457,106 S | 5/2002  | Cadotte et al.     | D494,502 S        | 8/2004  | Sanschagrín et al.         |
| D457,202 S | 5/2002  | Baskin et al.      | D494,503 S        | 8/2004  | Sanschagrín et al.         |
| D466,049 S | 11/2002 | Cadotte            | D494,504 S        | 8/2004  | Sanschagrín et al.         |
| D468,547 S | 1/2003  | Cadotte et al.     | D494,505 S        | 8/2004  | Sanschagrín et al.         |
| D477,247 S | 7/2003  | Cadotte et al.     | D494,889 S        | 8/2004  | Sanschagrín et al.         |
| D477,248 S | 7/2003  | Cadotte et al.     | D495,274 S        | 8/2004  | Sanschagrín et al.         |
| D478,297 S | 8/2003  | Cadotte et al.     | D495,973 S        | 9/2004  | Cadotte et al.             |
| D478,532 S | 8/2003  | Crépeau et al.     | D496,883 S        | 10/2004 | Sanschagrín et al.         |
| D479,490 S | 9/2003  | Cadotte et al.     | D499,669 S        | 12/2004 | Sanschagrín et al.         |
| D479,696 S | 9/2003  | Cadotte et al.     | D505,889 S        | 6/2005  | Girouard et al.            |
| D479,697 S | 9/2003  | Cadotte et al.     | D510,058 S *      | 9/2005  | Lin ..... D12/110          |
| D479,813 S | 9/2003  | Cadotte et al.     | D511,998 S        | 11/2005 | Deluy                      |
| D479,814 S | 9/2003  | Cadotte et al.     | D512,662 S        | 12/2005 | Deluy                      |
| D479,815 S | 9/2003  | Crepeau et al.     | D515,457 S        | 2/2006  | Deluy                      |
| D479,816 S | 9/2003  | Crepeau et al.     | D541,192 S        | 4/2007  | Jokelainen                 |
| D480,019 S | 9/2003  | Cadotte et al.     | D548,136 S        | 8/2007  | Musselman                  |
| D480,020 S | 9/2003  | Crepeau et al.     | D548,137 S        | 8/2007  | Curthelet                  |
| D487,233 S | 3/2004  | Cadotte et al.     | D548,645 S        | 8/2007  | Curthelet                  |
| D487,413 S | 3/2004  | Cadotte et al.     | D552,506 S        | 10/2007 | Deluy                      |
| D488,094 S | 4/2004  | Cadotte et al.     | D563,271 S        | 3/2008  | Curthelet                  |
| D488,095 S | 4/2004  | Cadotte et al.     | 2005/0103546 A1 * | 5/2005  | Bedard et al. .... 180/186 |
| D488,096 S | 4/2004  | Cadotte et al.     |                   |         |                            |
| D488,097 S | 4/2004  | Cadotte et al.     |                   |         |                            |
| D488,098 S | 4/2004  | Cadotte et al.     |                   |         |                            |
| D488,404 S | 4/2004  | Cadotte et al.     |                   |         |                            |
| D493,121 S | 7/2004  | Sanschagrín et al. |                   |         |                            |
| D493,390 S | 7/2004  | Sanschagrín et al. |                   |         |                            |
| D494,100 S | 8/2004  | Sanschagrín et al. |                   |         |                            |

## OTHER PUBLICATIONS

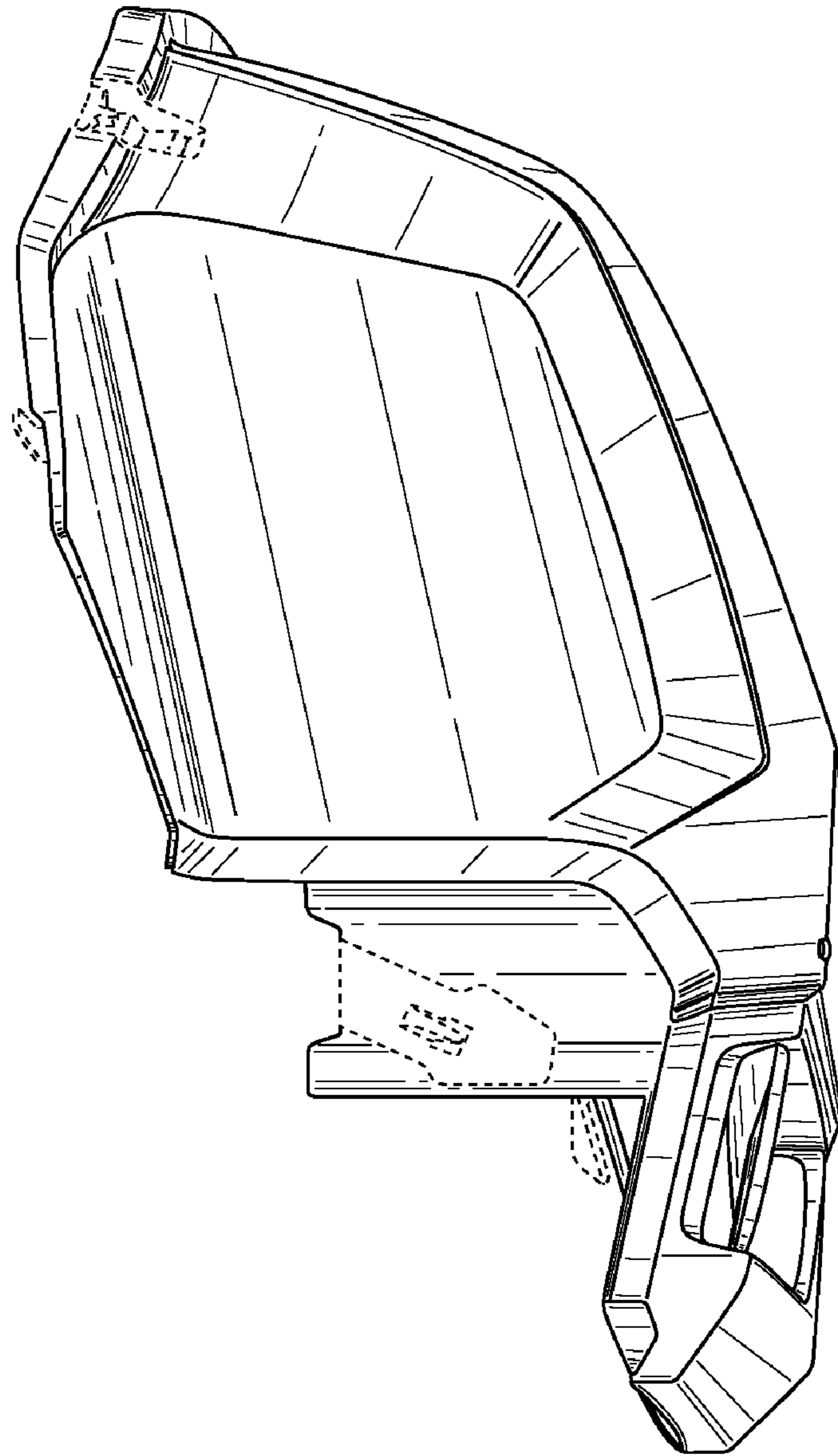
U.S. Appl. No. 29/303,024 filed on Jan. 30, 2008. Title: Snowmobile Hood.

U.S. Appl. No. 29/303,027 filed on Jan. 30, 2008. Title: Snowmobile Side Panel.

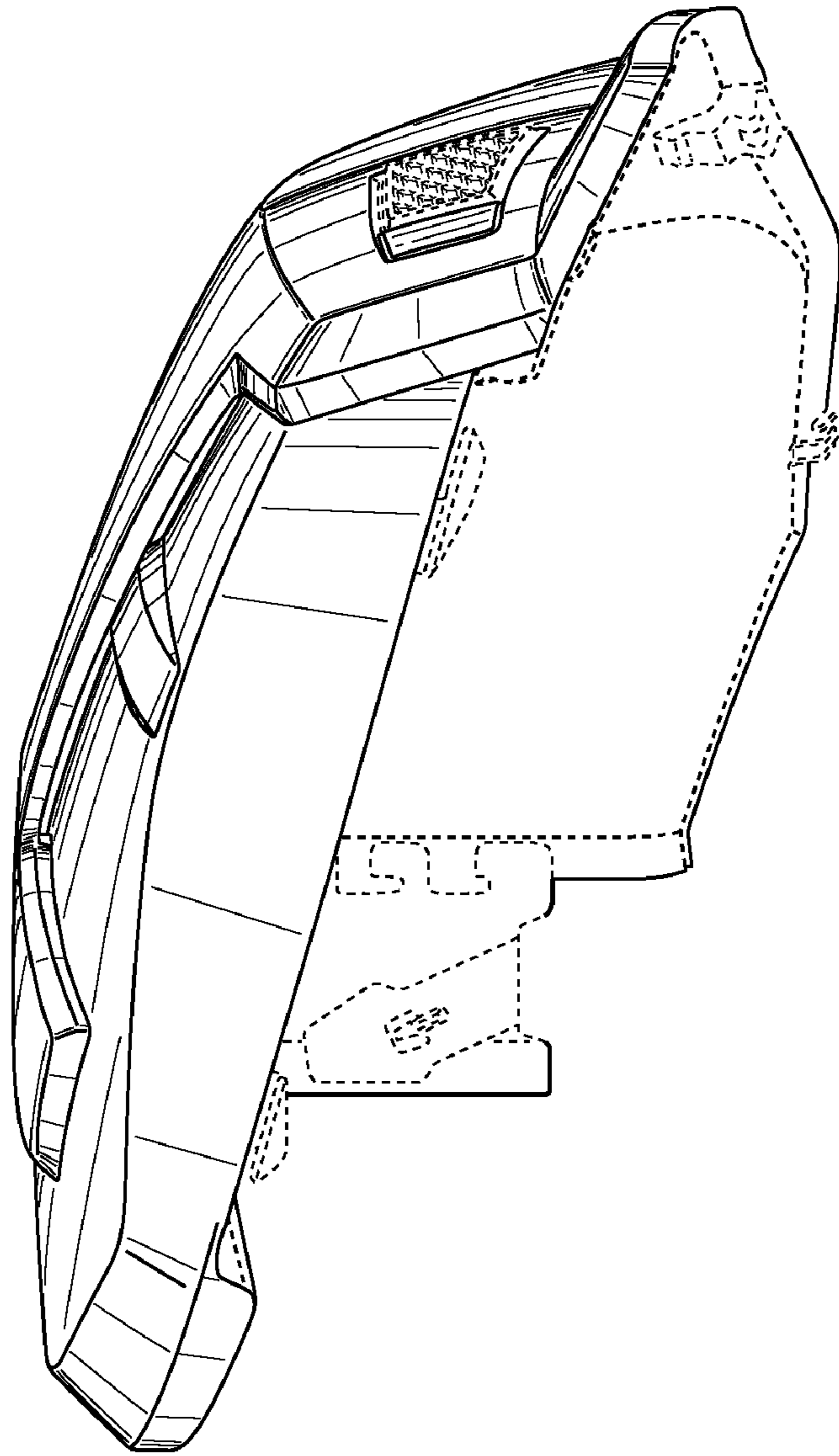
\* cited by examiner



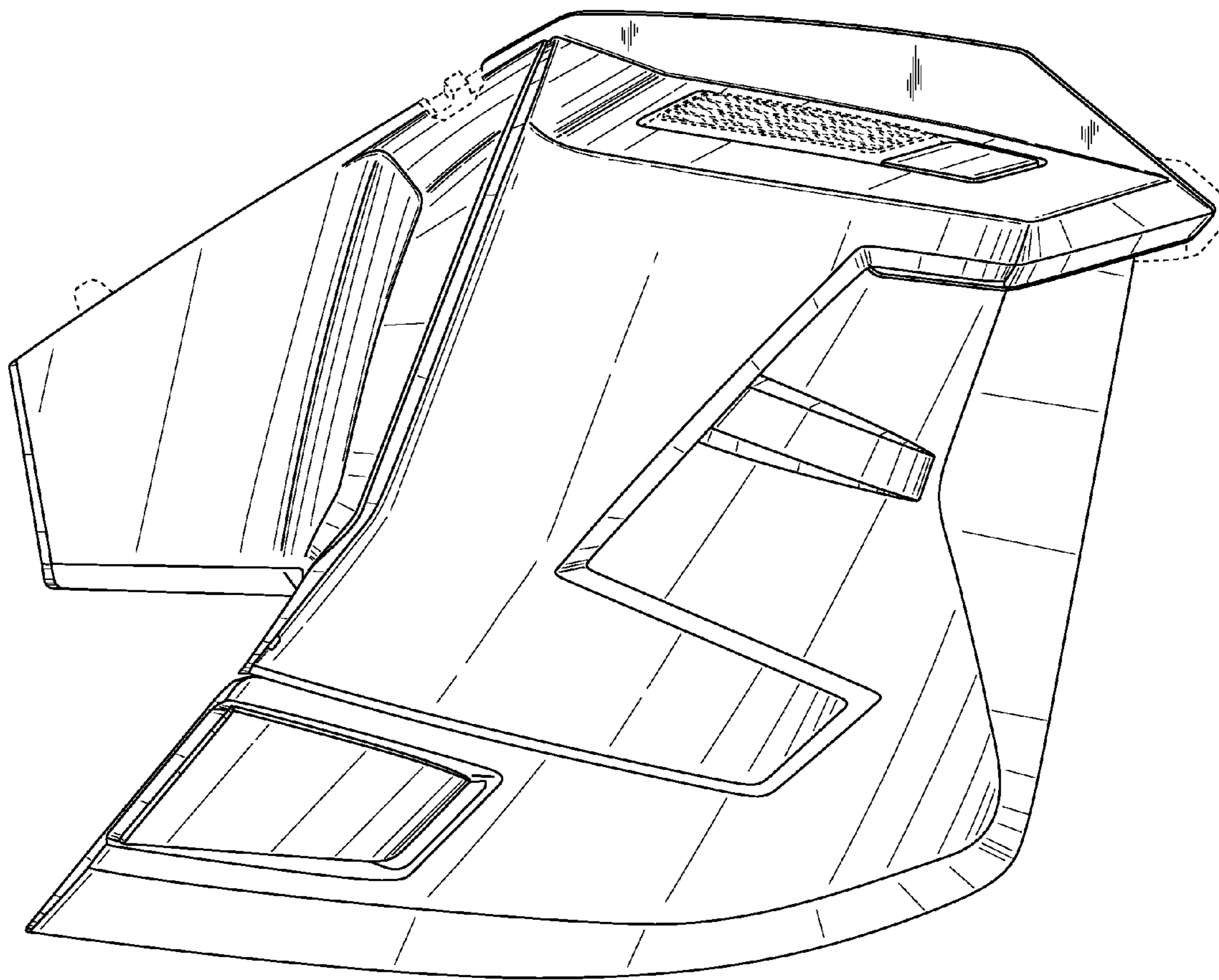
**FIG. 1**



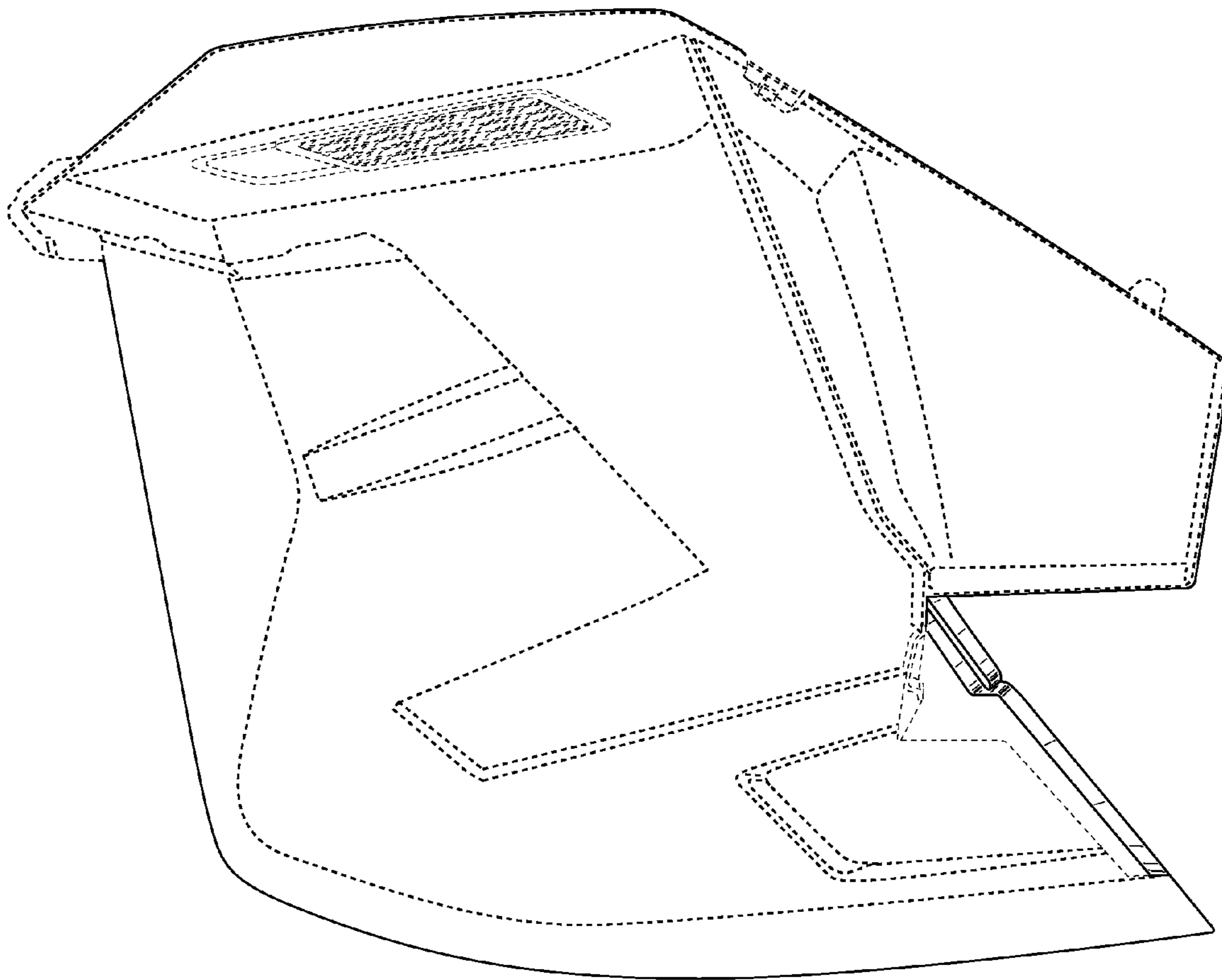
**FIG. 2**



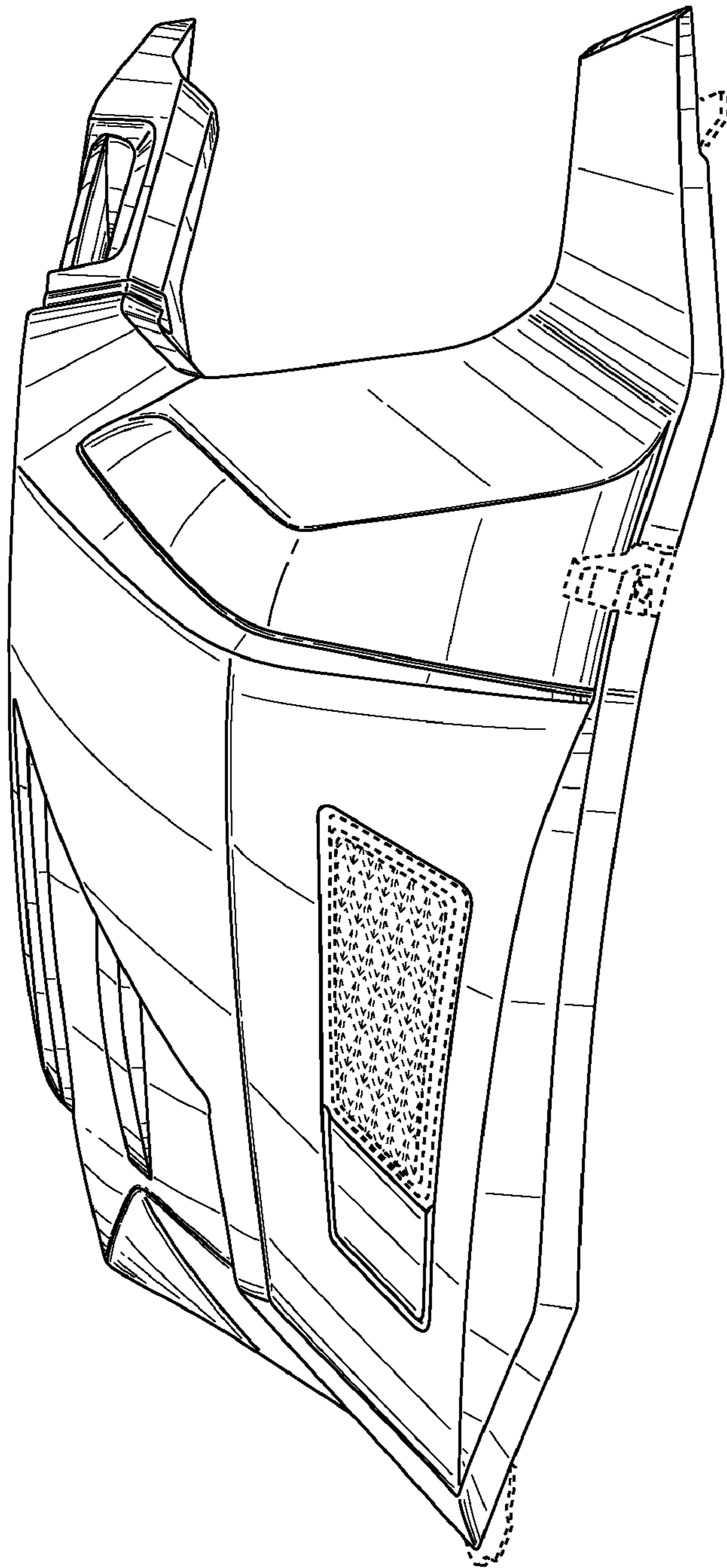
**FIG. 3**



**FIG. 4**

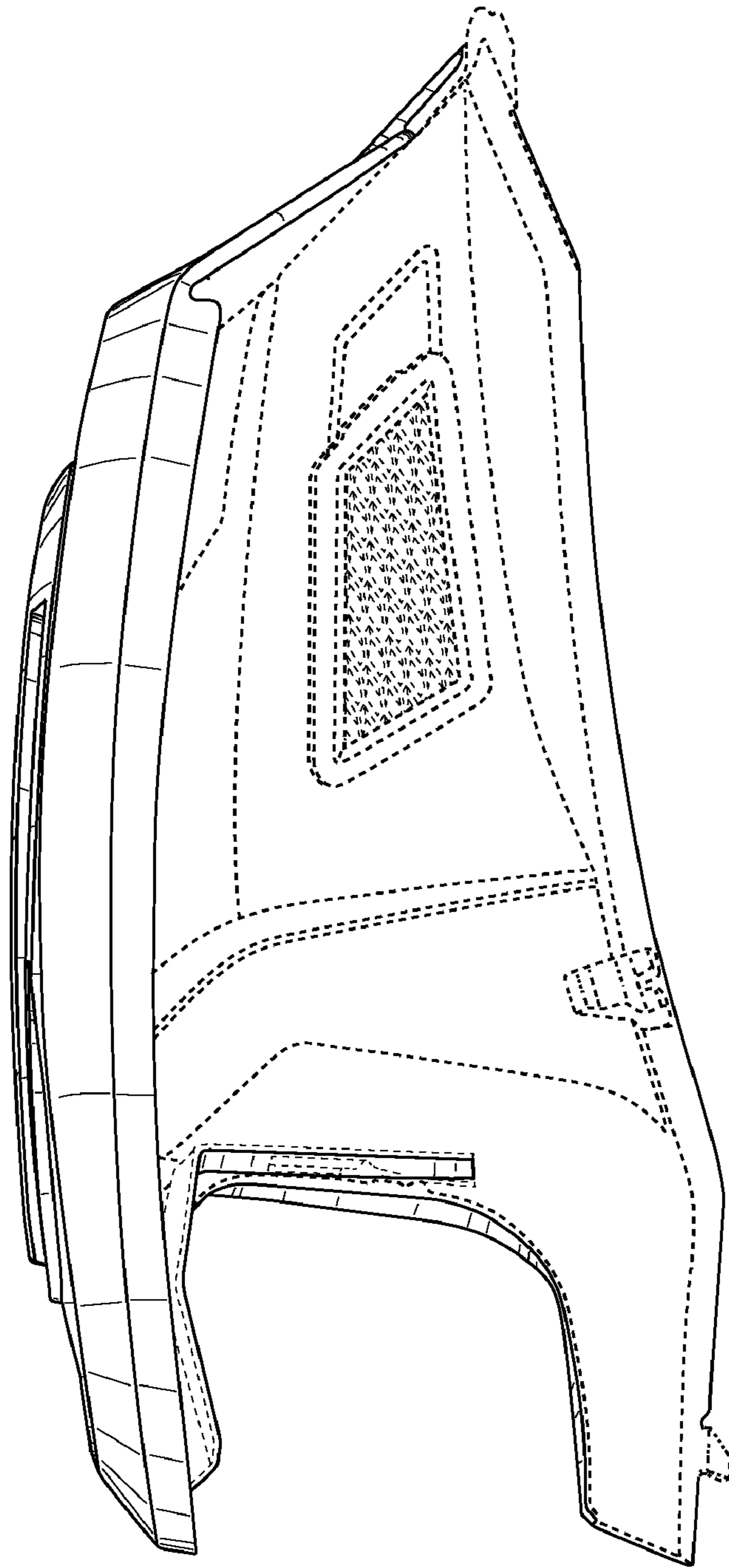


**FIG. 5**

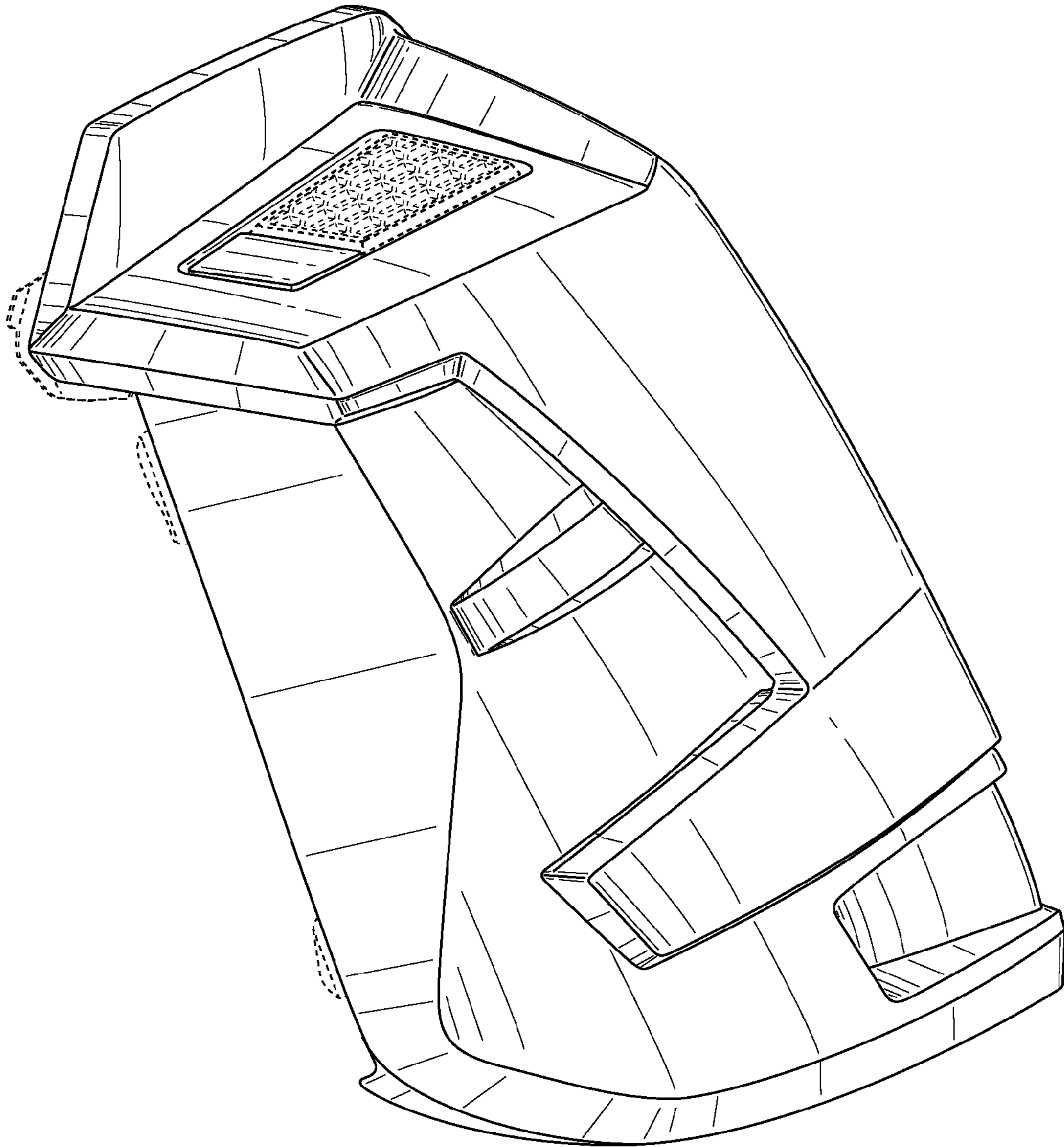


**FIG. 6**

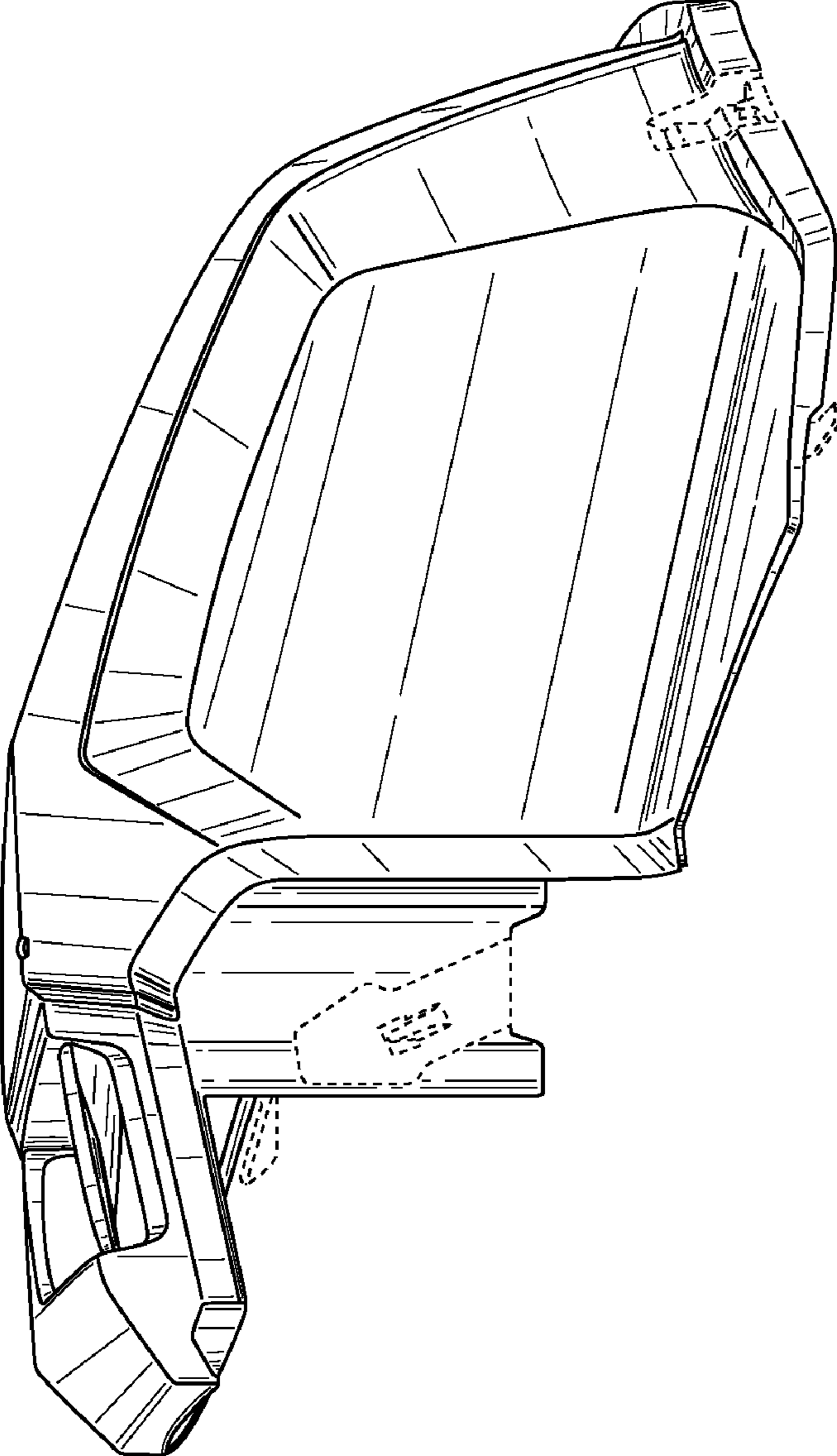




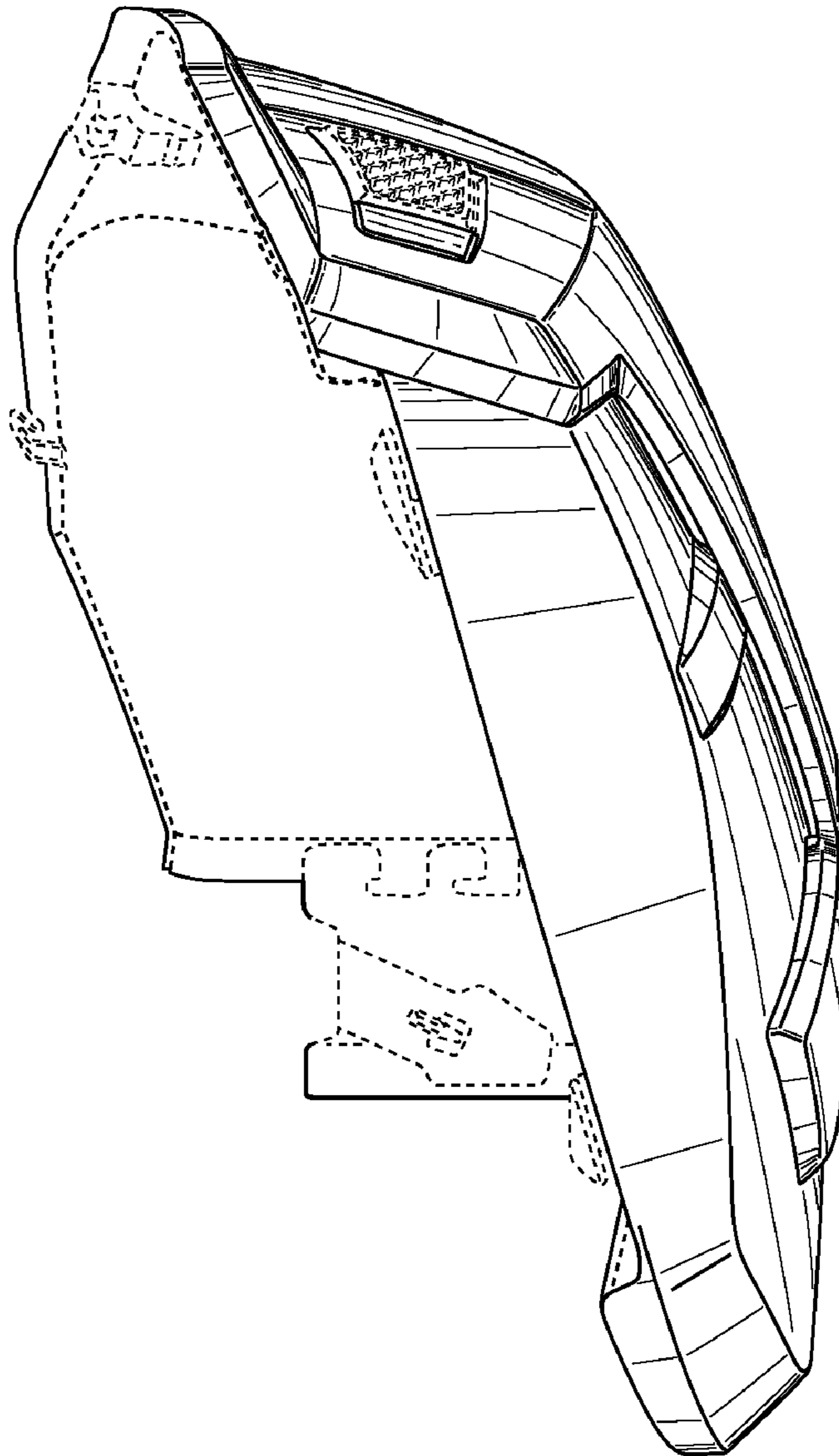
**FIG. 7**



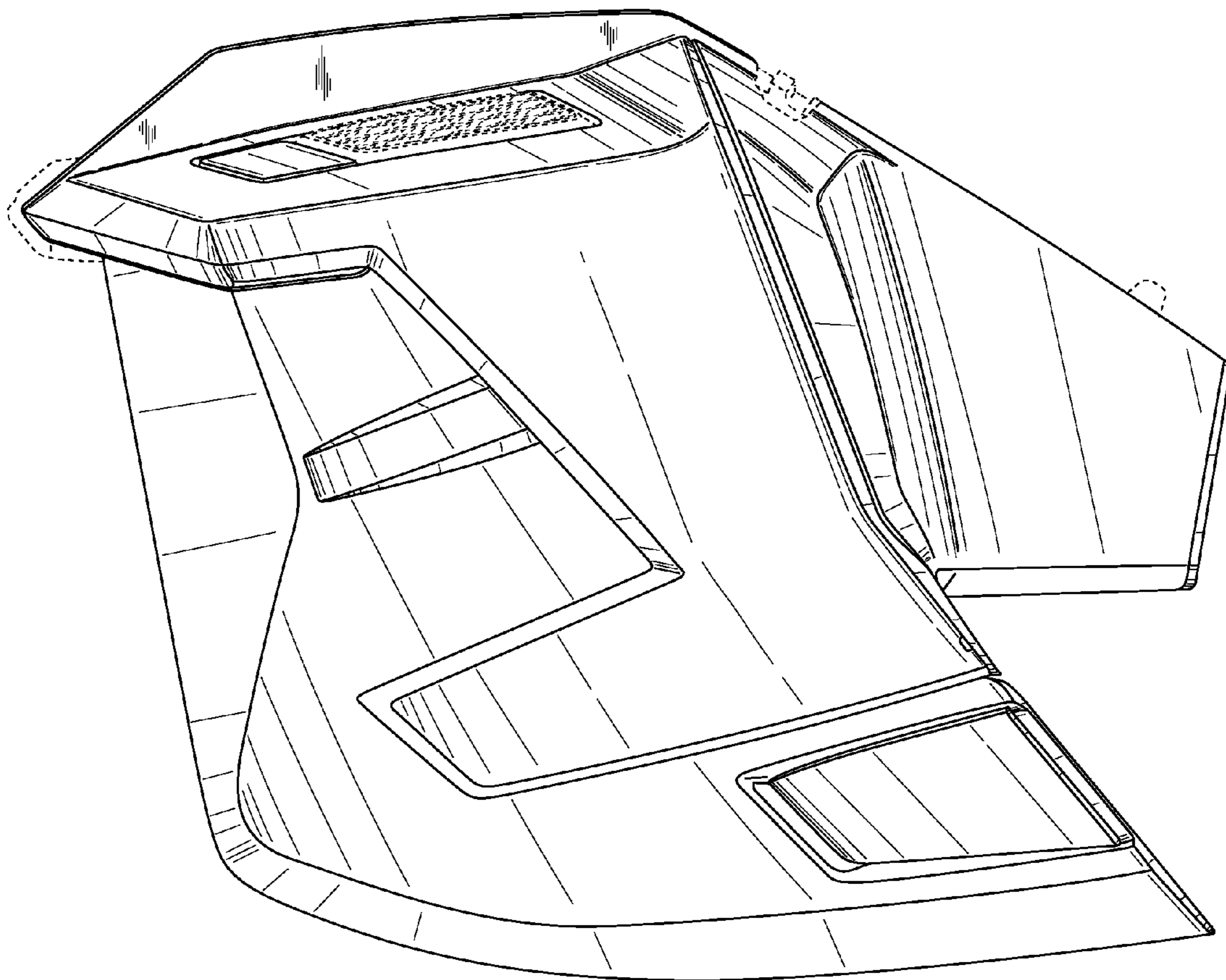
**FIG. 8**



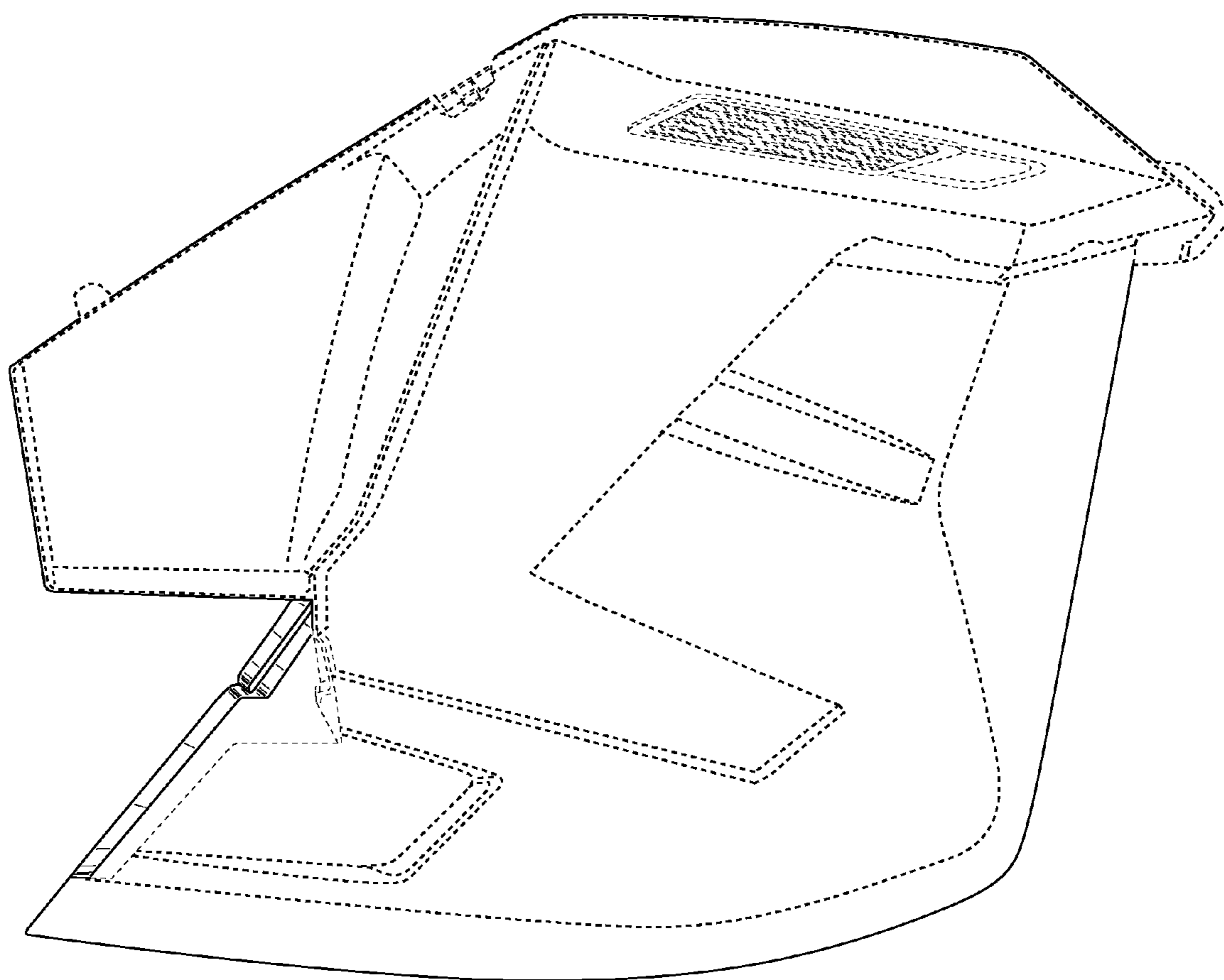
**FIG. 9**



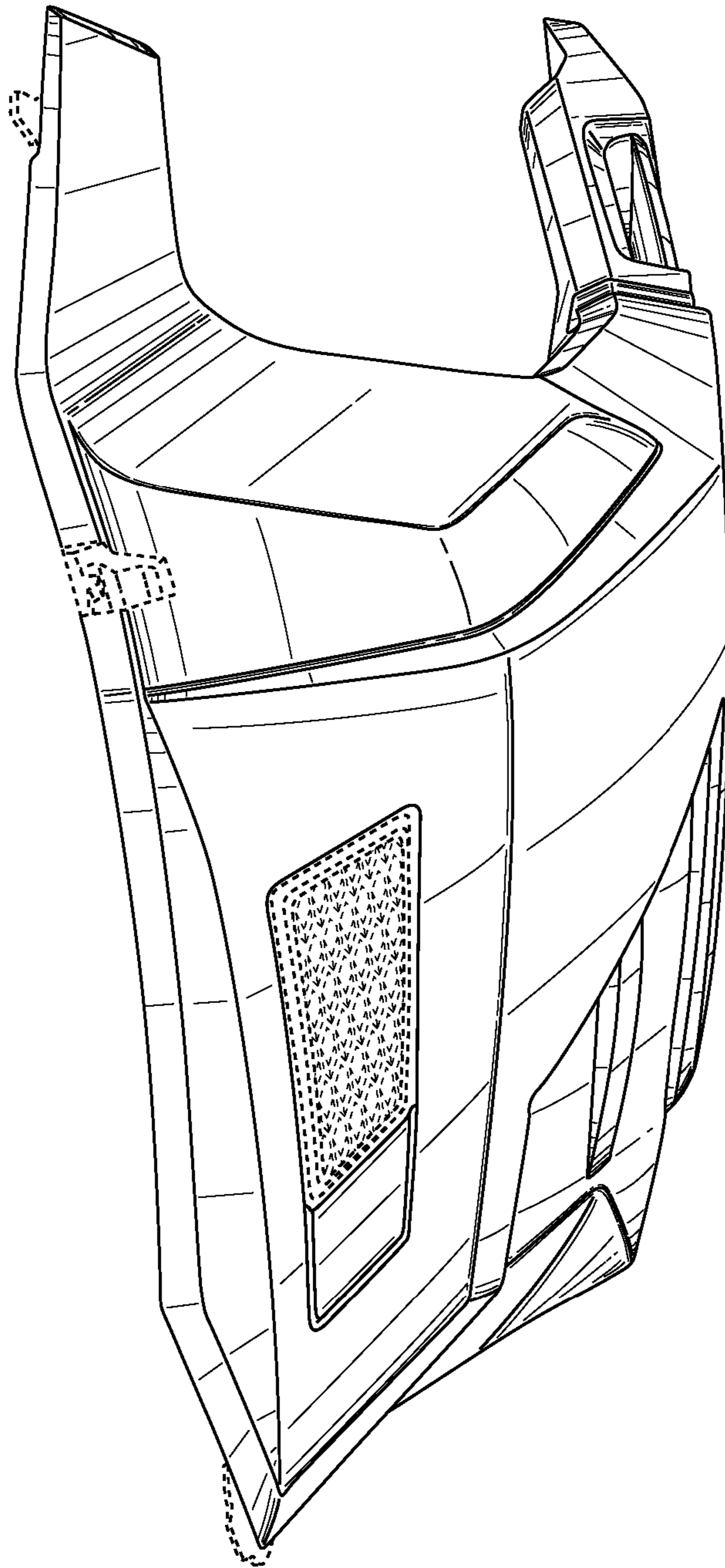
**FIG. 10**



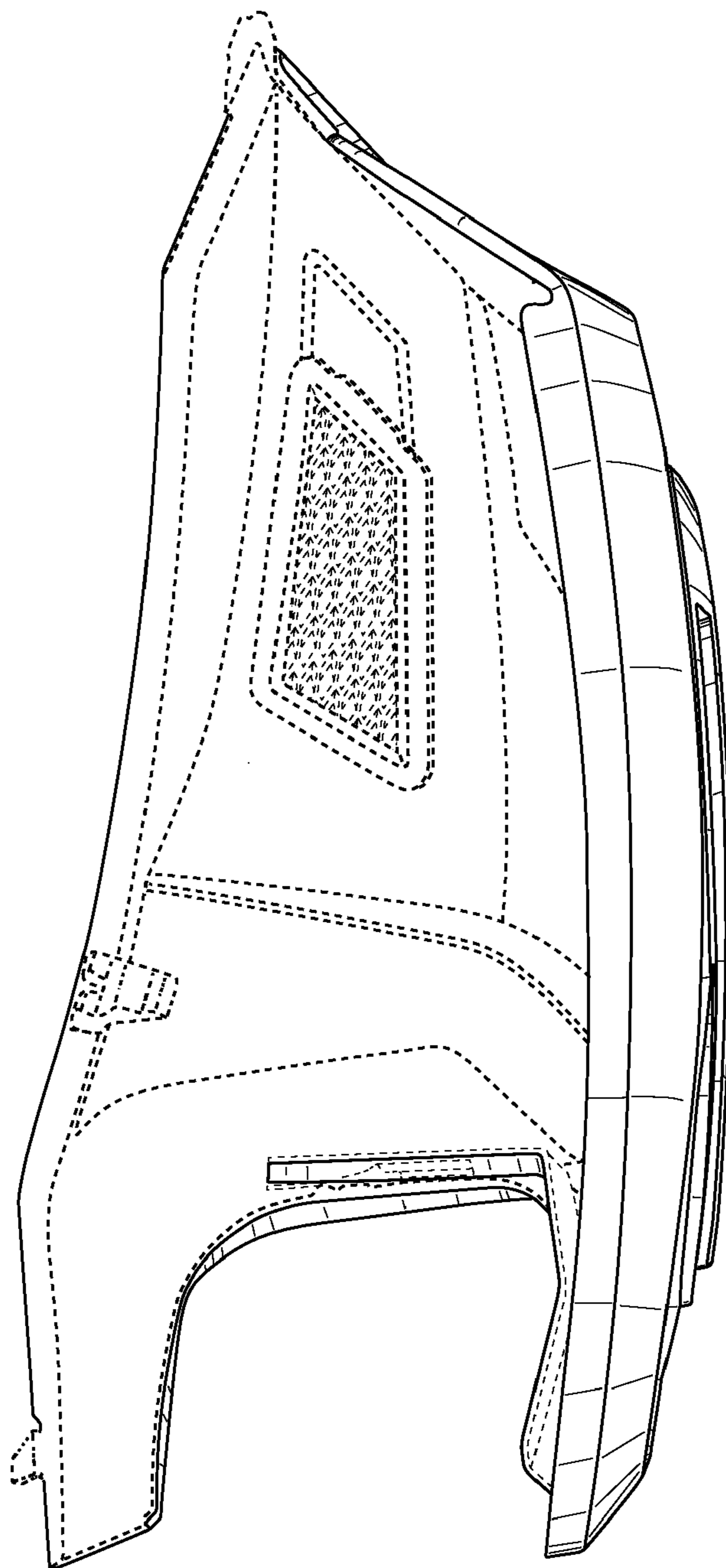
**FIG. 11**



**FIG. 12**



**FIG. 13**



**FIG. 14**