



US00D583696S

(12) **United States Design Patent**
Lassen et al.

(10) **Patent No.:** **US D583,696 S**

(45) **Date of Patent:** **** Dec. 30, 2008**

(54) **FENDER LIGHT**

(75) Inventors: **Hans Christian Lassen**, Roland, IA (US); **Jerrold Handsaker**, Roland, IA (US)

(73) Assignee: **Innovative Lighting, Inc.**, Roland, IA (US)

(**) Term: **14 Years**

(21) Appl. No.: **29/233,869**

(22) Filed: **Jul. 11, 2005**

(51) **LOC (8) Cl.** **10-05**

(52) **U.S. Cl.** **D10/110; D26/28**

(58) **Field of Classification Search** D10/104-121; D26/28, 36; 362/231, 487, 506, 540; D12/164
See application file for complete search history.

(56) **References Cited**

U.S. PATENT DOCUMENTS

- 2,543,226 A * 2/1951 Briggs 362/506
- 3,692,998 A * 9/1972 Adams et al. 362/540
- 3,941,994 A * 3/1976 Petty et al. 362/506
- 3,982,118 A * 9/1976 Thomas 362/231

D519,232 S * 4/2006 Columbro D26/28

* cited by examiner

Primary Examiner—Robert M. Spear

Assistant Examiner—George D Kirschbaum

(74) *Attorney, Agent, or Firm*—Daniel A. Rosenberg; Briggs and Morgan, P.A.

(57) **CLAIM**

The ornamental design for a fender light, as shown and described.

DESCRIPTION

FIG. 1 is a top perspective view of the fender light showing our new design;

FIG. 2 is a front view thereof;

FIG. 3 is a rear view thereof;

FIG. 4 is a left side view thereof;

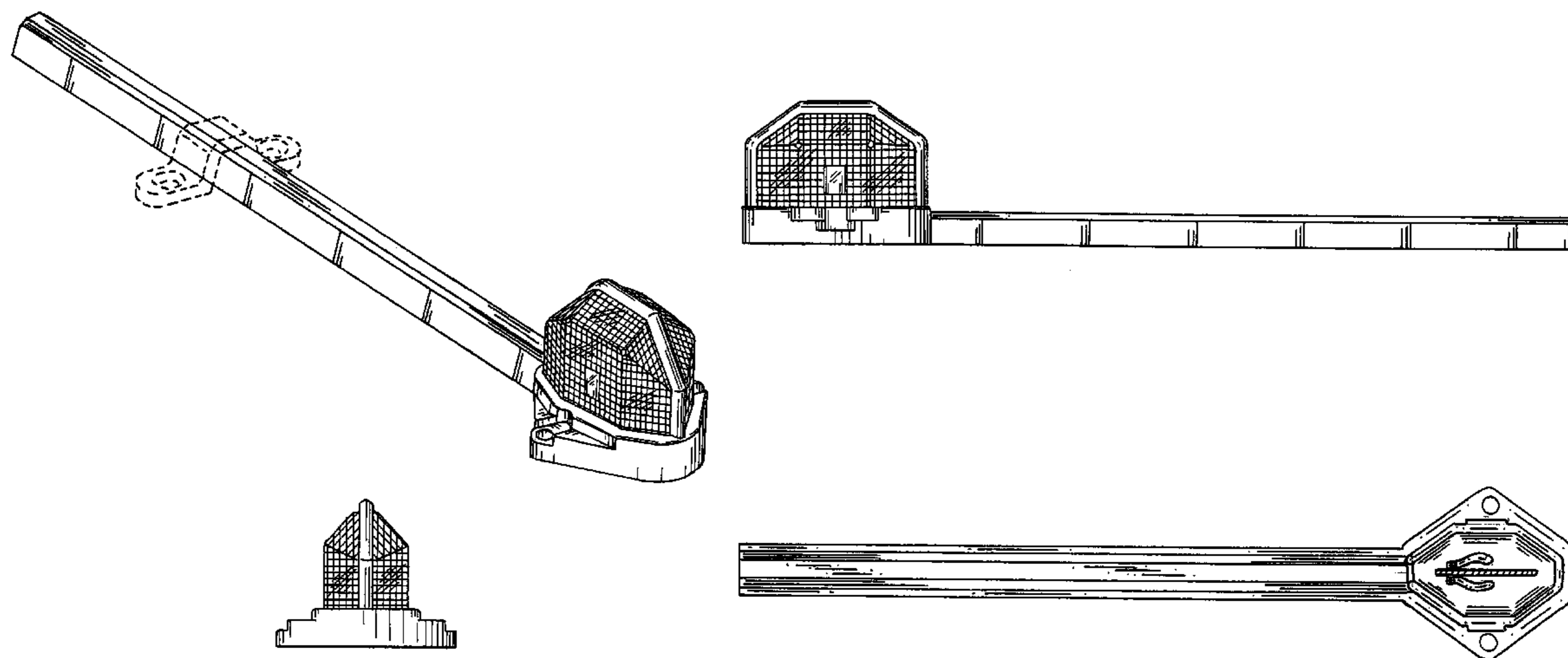
FIG. 5 is a right side view thereof;

FIG. 6 is a top view thereof; and,

FIG. 7 is a bottom view thereof.

In the drawings, the broken line showing of a mounting bracket depicts environmental subject matter and forms no part of the claim.

1 Claim, 2 Drawing Sheets



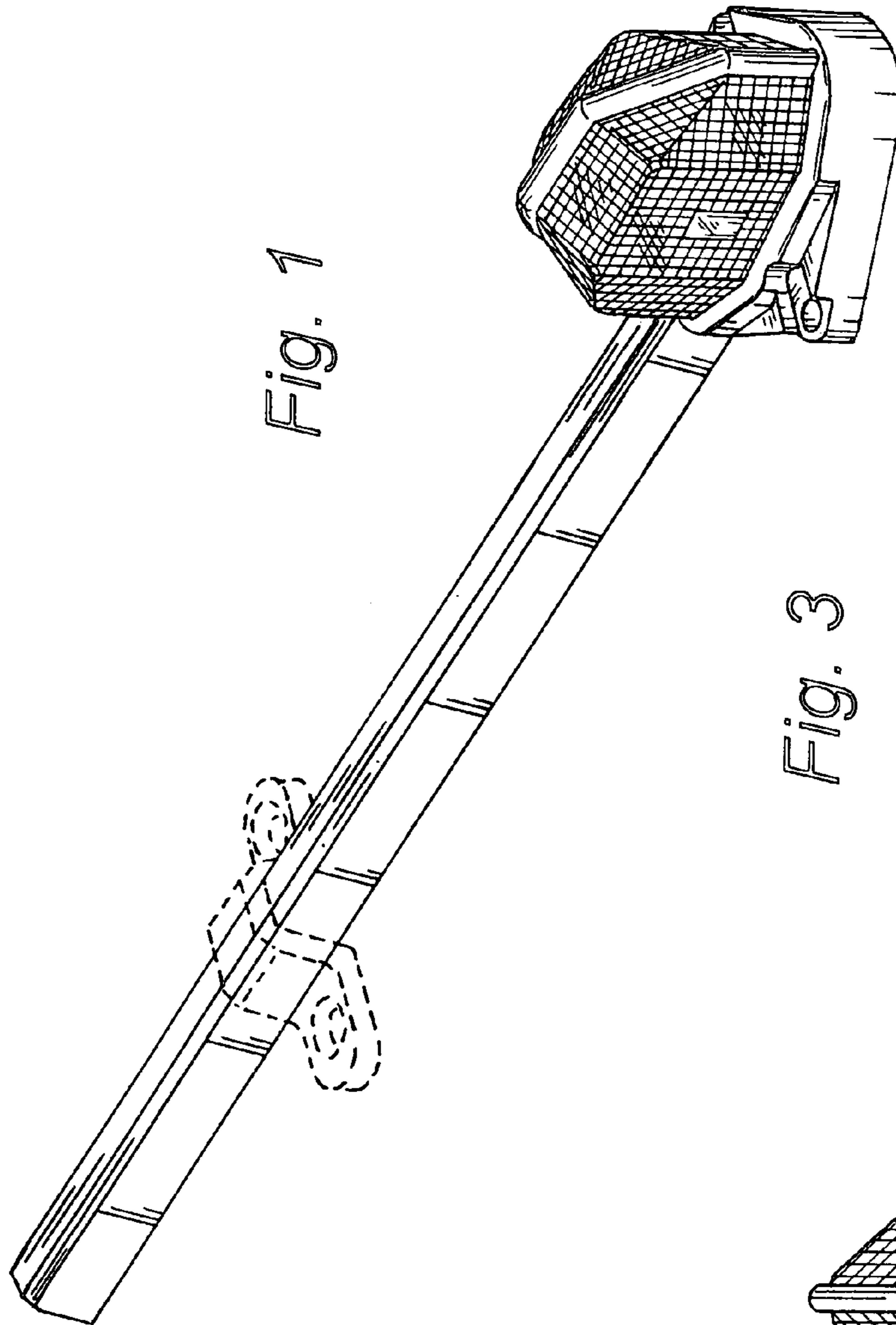


Fig. 1

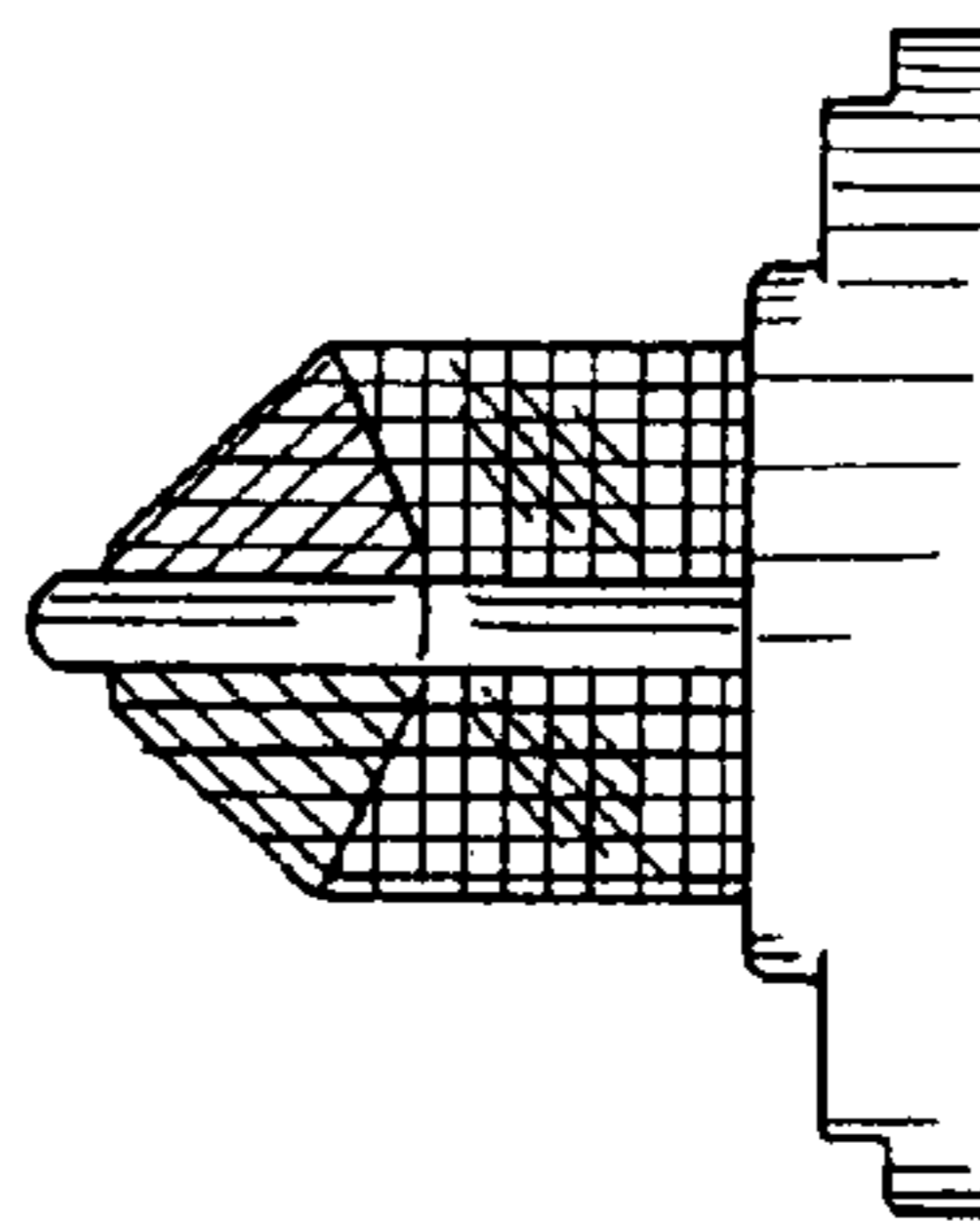


Fig. 2

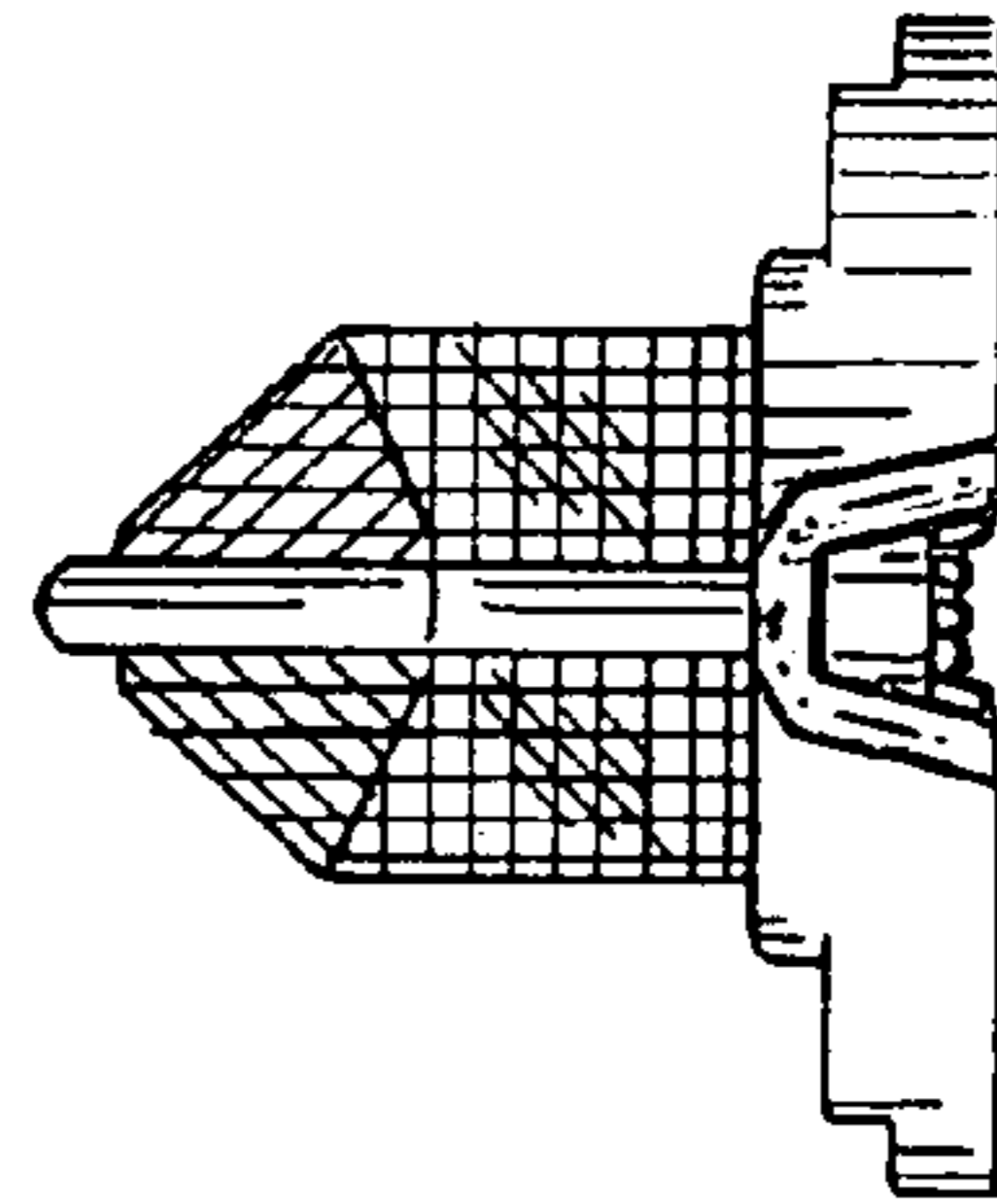


Fig. 3

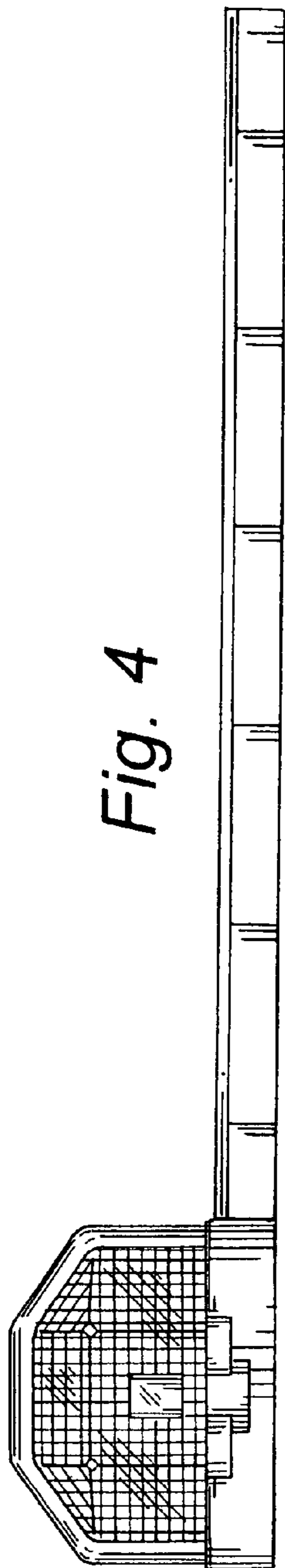


Fig. 4

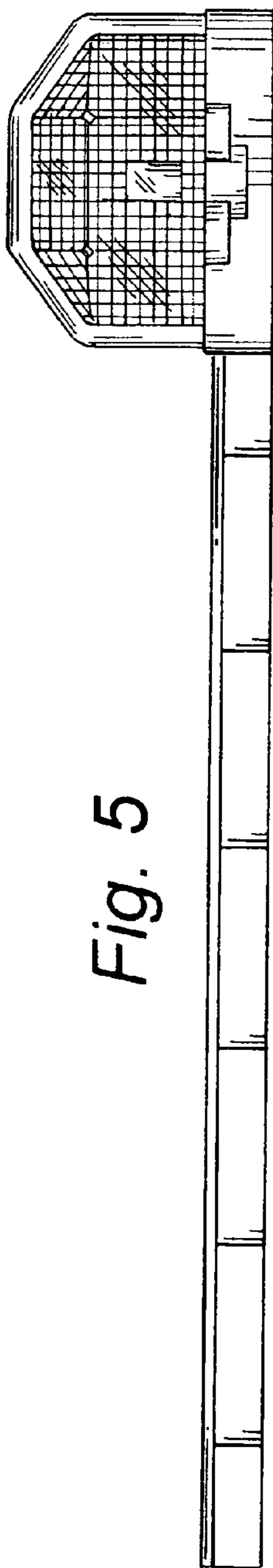


Fig. 5

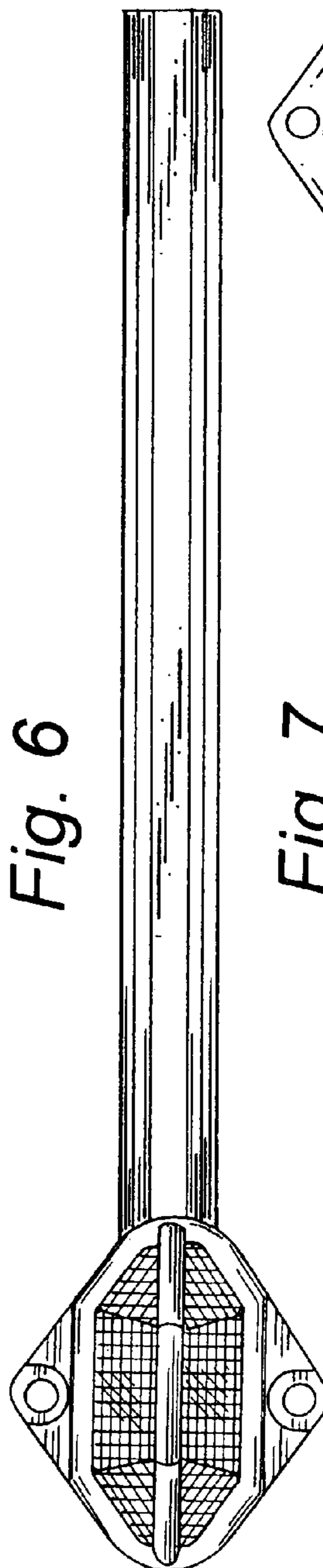


Fig. 6

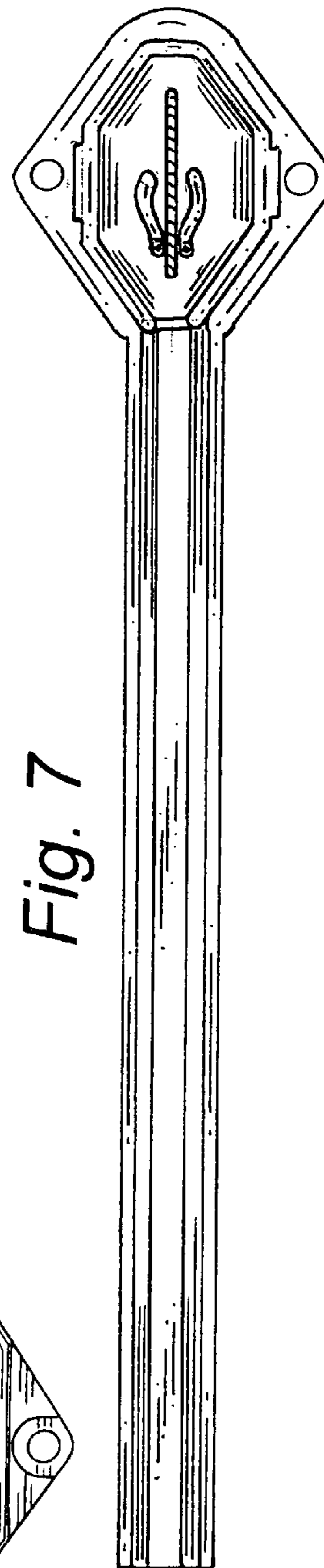


Fig. 7