



US00D583695S

(12) **United States Design Patent**
Grote, Jr.

(10) **Patent No.:** **US D583,695 S**
(45) **Date of Patent:** **** Dec. 30, 2008**

(54) **DOME FOR A RECTANGULAR BEACON**

(74) *Attorney, Agent, or Firm*—Alix, Yale & Ristas, LLP

(75) **Inventor:** **William F. Grote, Jr.**, Deep River, CT (US)

(57) **CLAIM**

The ornamental design for a dome for a rectangular beacon, as shown and described.

(73) **Assignee:** **Whelen Engineering Company, Inc.**, Chester, CT (US)

(**) **Term:** **14 Years**

DESCRIPTION

(21) **Appl. No.:** **29/301,154**

FIG. 1 is a perspective view of a dome for a rectangular beacon showing my new design;

(22) **Filed:** **Feb. 13, 2008**

FIG. 2 is a left side view thereof, the right side view being identical;

(51) **LOC (8) Cl.** **10-04**

FIG. 3 is a front view thereof, the rear view being identical;

(52) **U.S. Cl.** **D10/109**

FIG. 4 is a bottom plan view thereof;

(58) **Field of Classification Search** D10/109,
D10/111, 113–114; D26/24, 37; 362/157,
362/158, 171–174, 183–208

FIG. 5 is a top plan view thereof;

See application file for complete search history.

FIG. 6 is a perspective view of a second embodiment of a dome for a rectangular beacon showing my new design;

(56) **References Cited**

FIG. 7 is left side view of the dome of FIG. 6, the right side view being identical;

U.S. PATENT DOCUMENTS

FIG. 8 is a front view of the dome of FIG. 6, the rear view being identical;

D397,633 S * 9/1998 Yang et al. D10/111

FIG. 9 is a bottom plan view of dome of FIG. 6; and,

D414,712 S * 10/1999 Yang et al. D10/111

FIG. 10 is a top plan view of the dome of FIG. 6

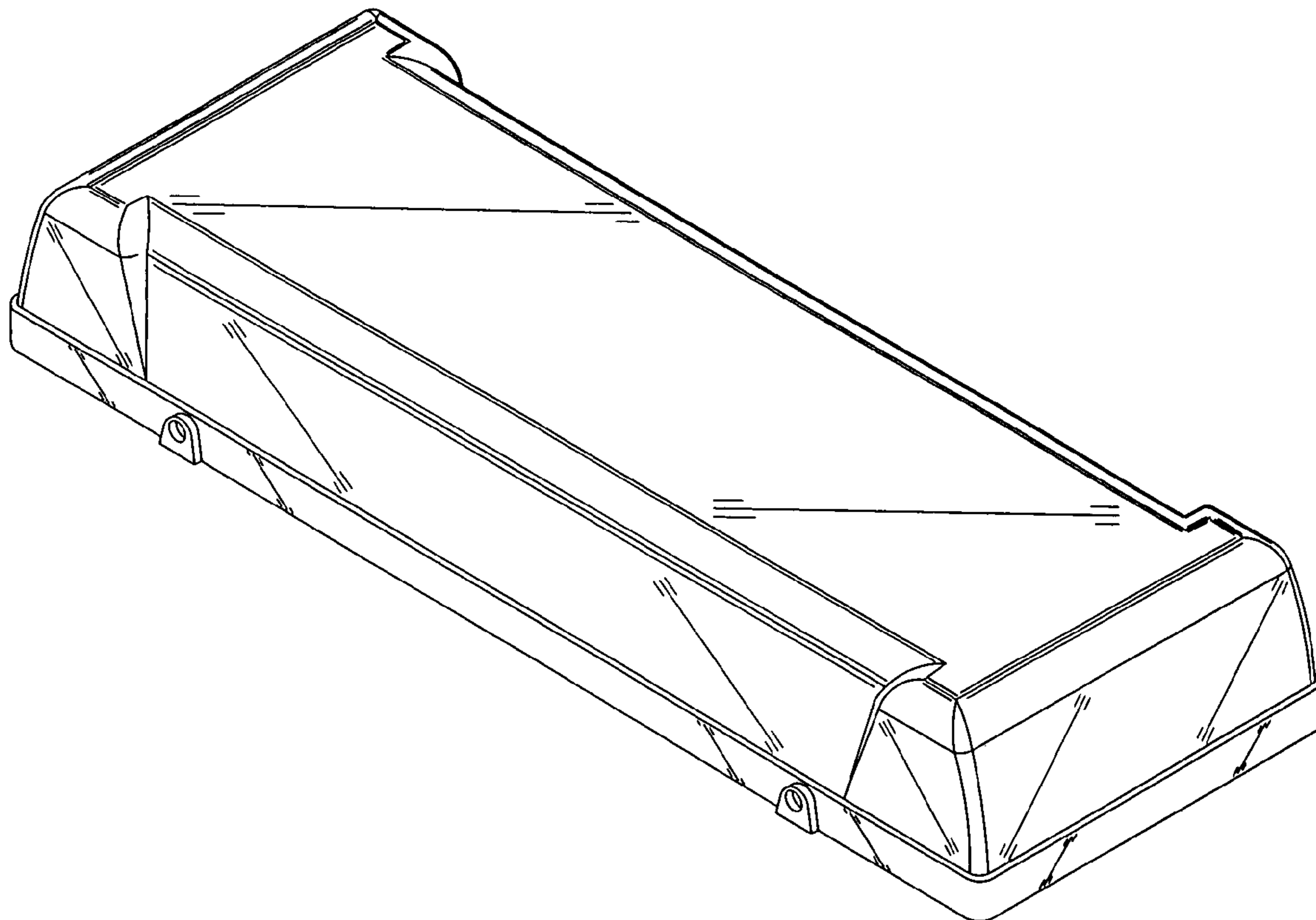
D469,711 S * 2/2003 Neufeglise et al. D10/114

No claim is made to the portions shown in broken lines.

* cited by examiner

Primary Examiner—Antoine D Davis

1 Claim, 8 Drawing Sheets



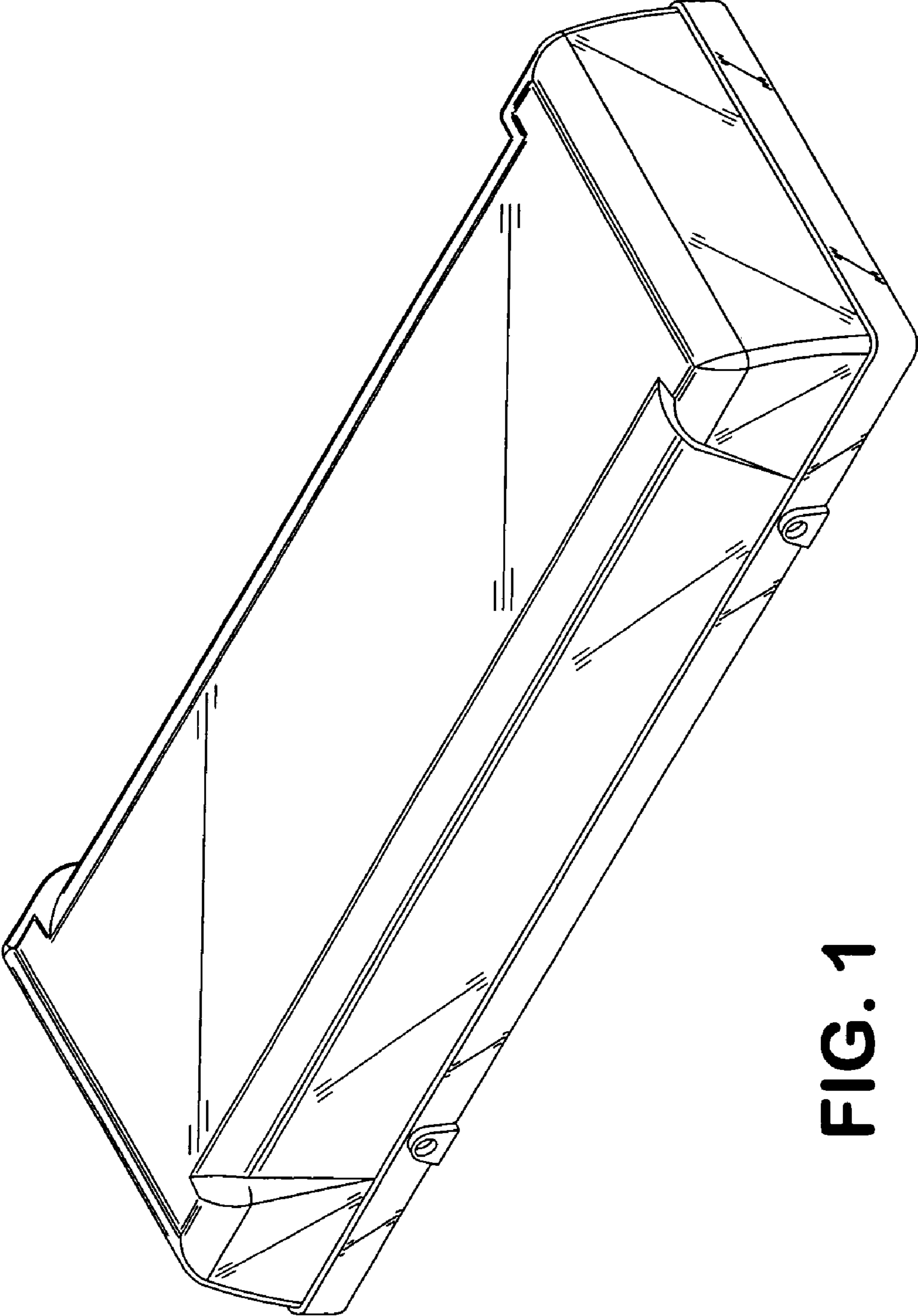


FIG. 1

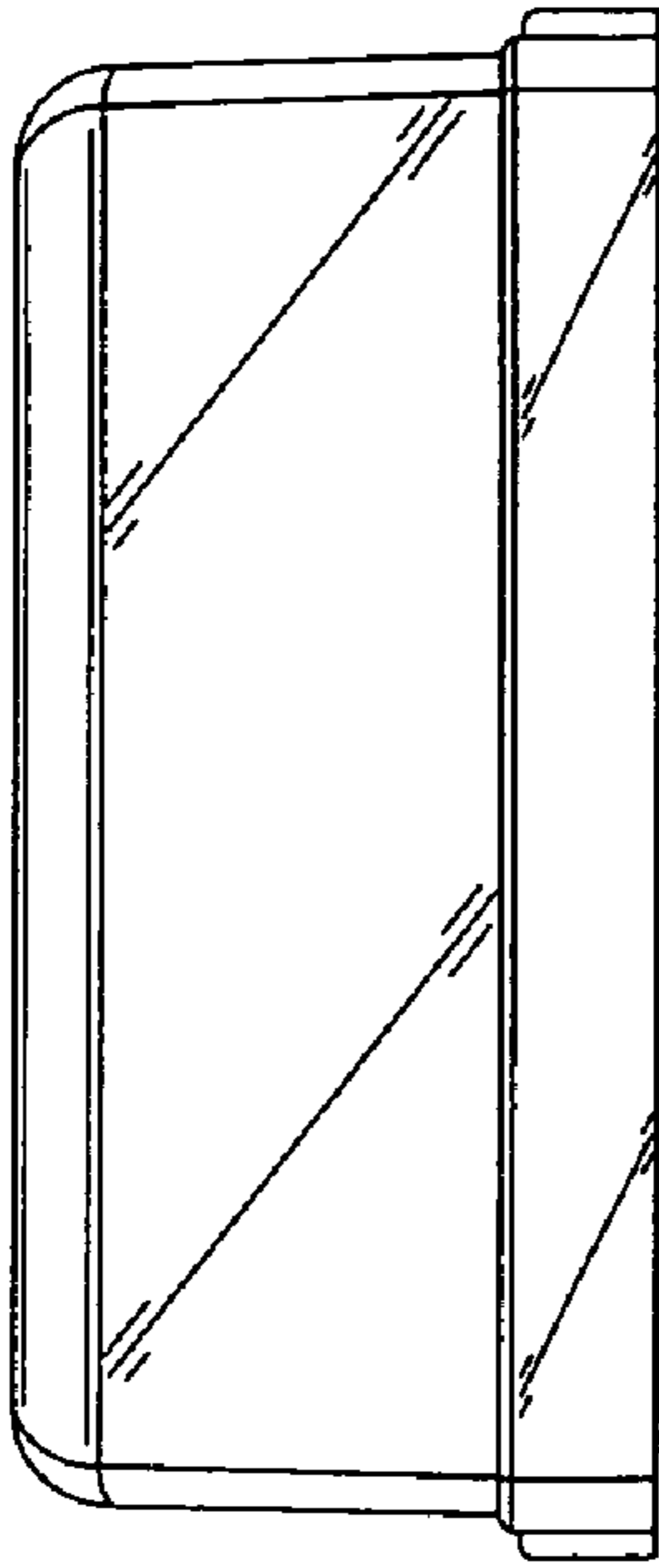


FIG. 2

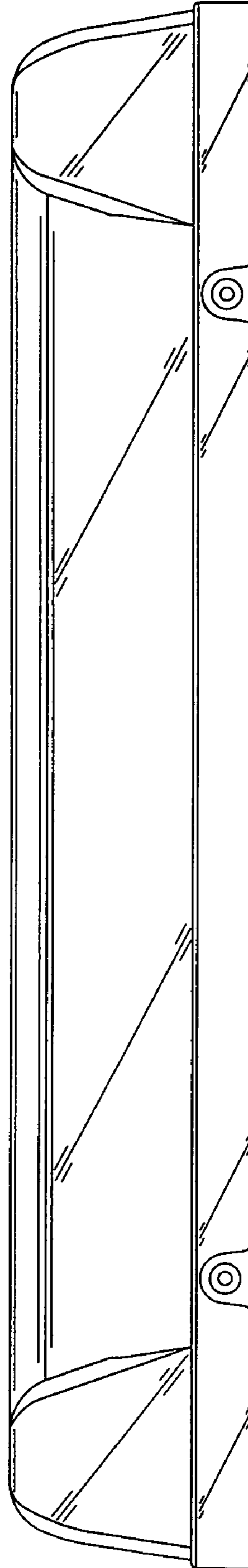


FIG. 3

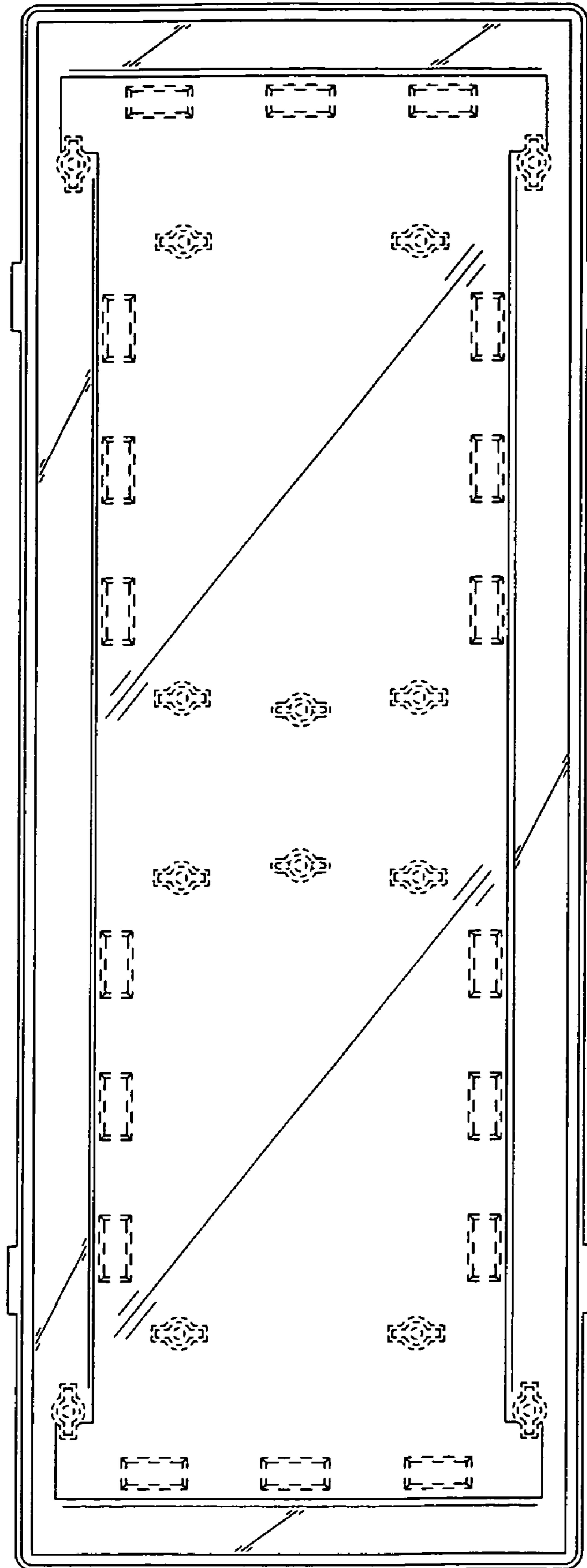


FIG. 4

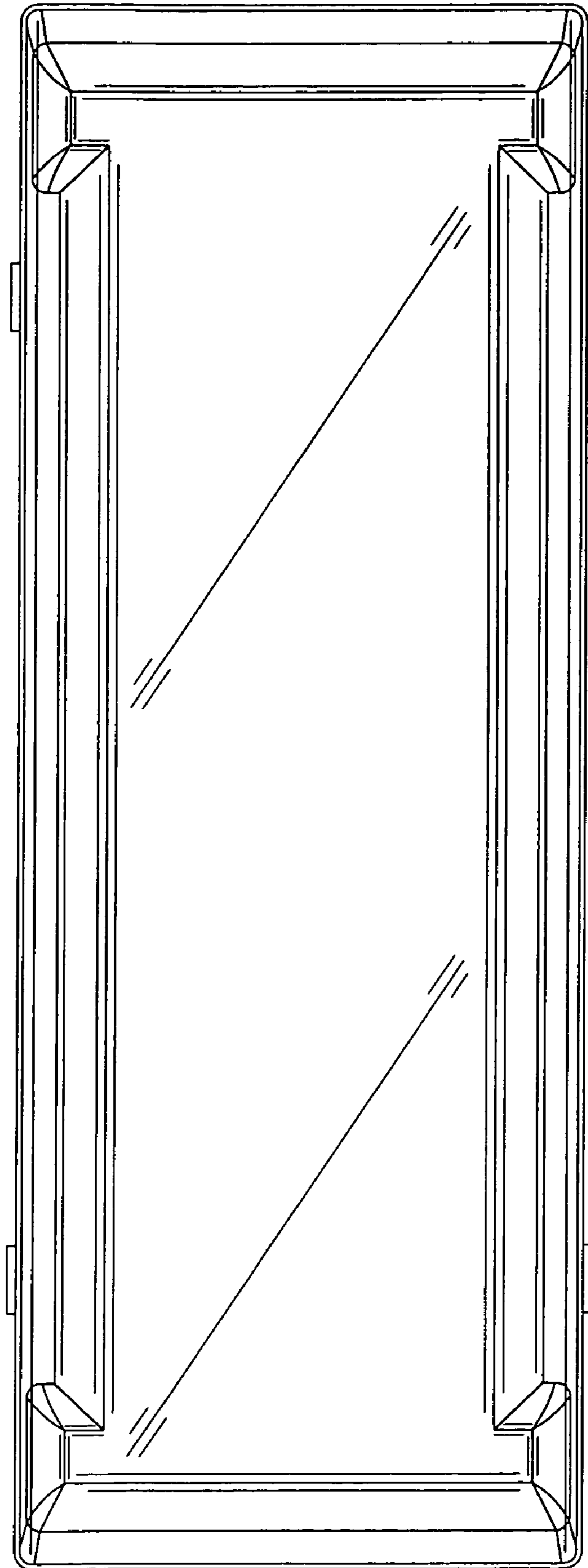


FIG. 5

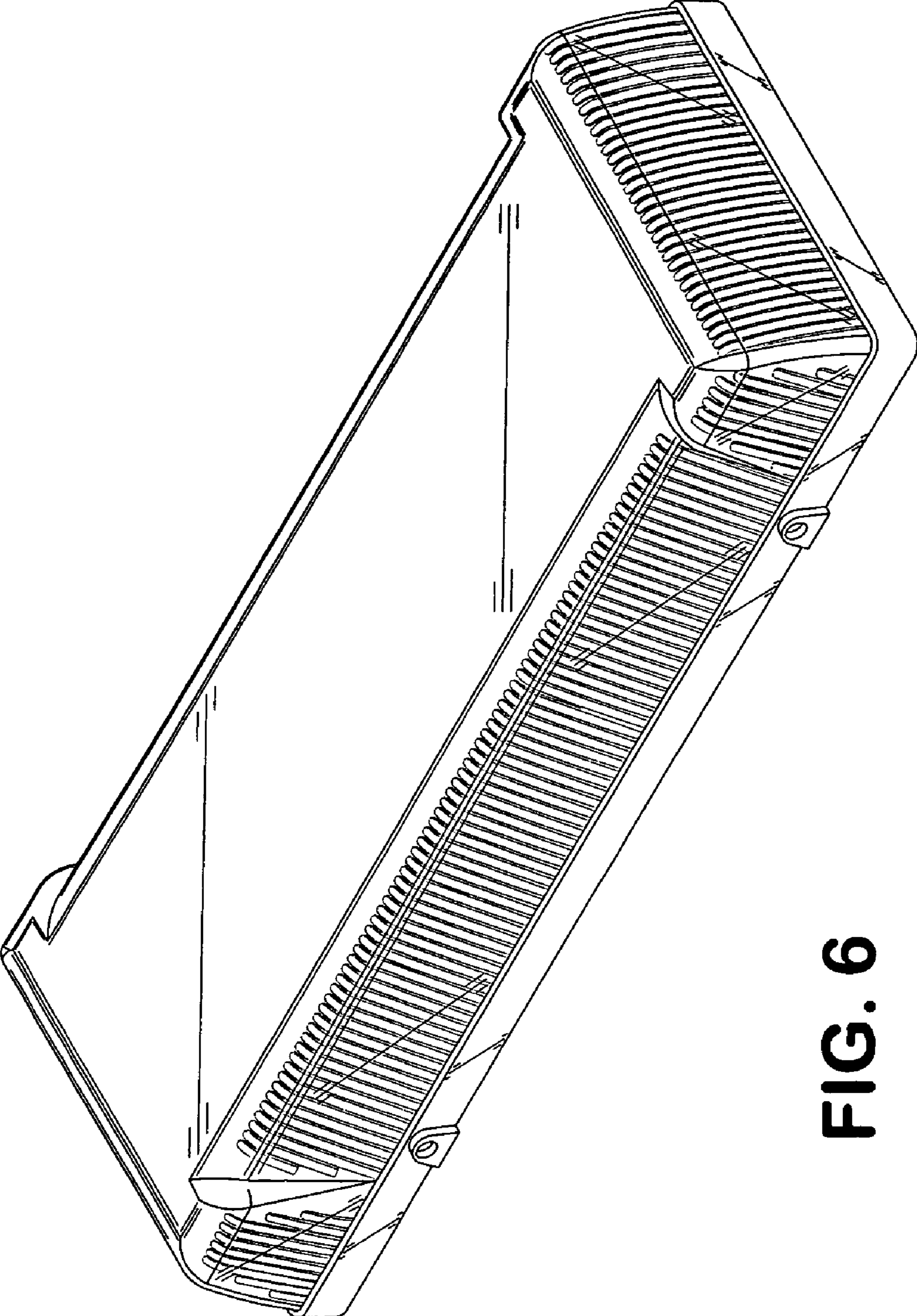


FIG. 6

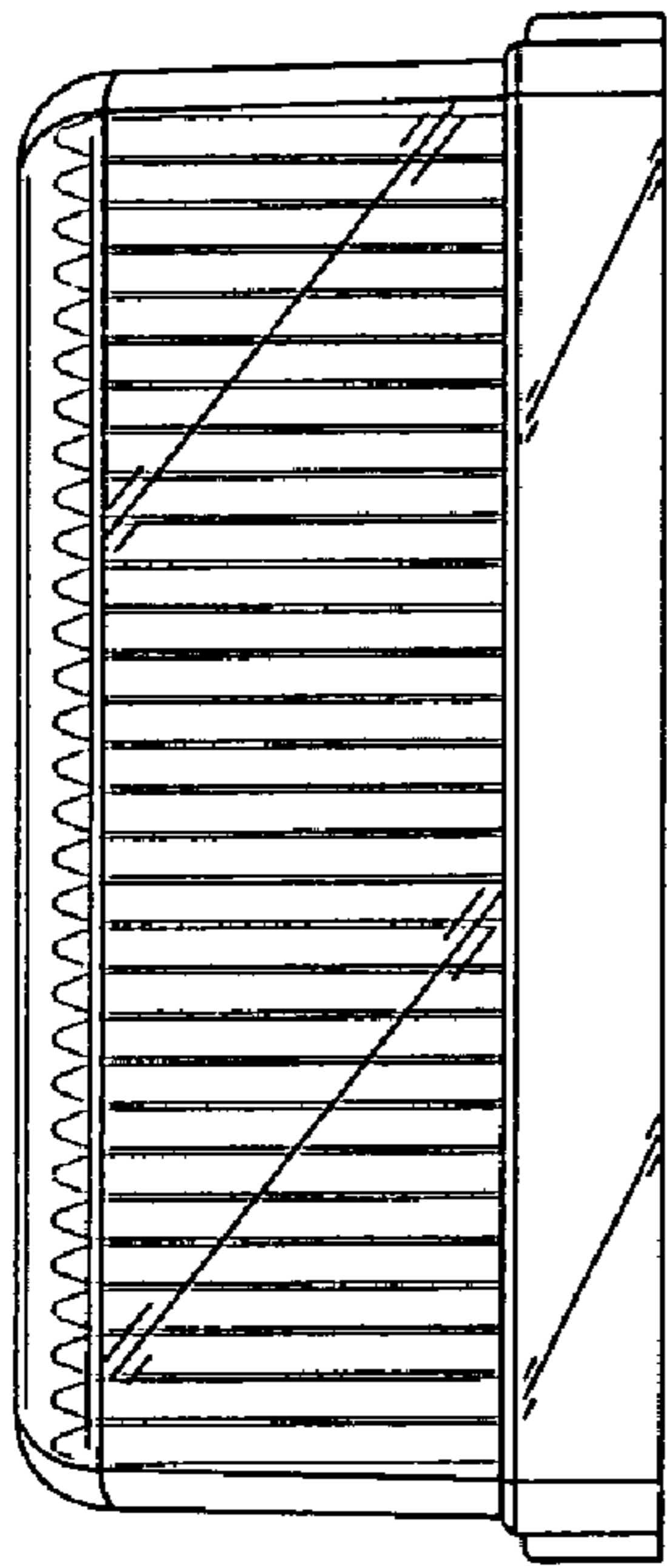


FIG. 7

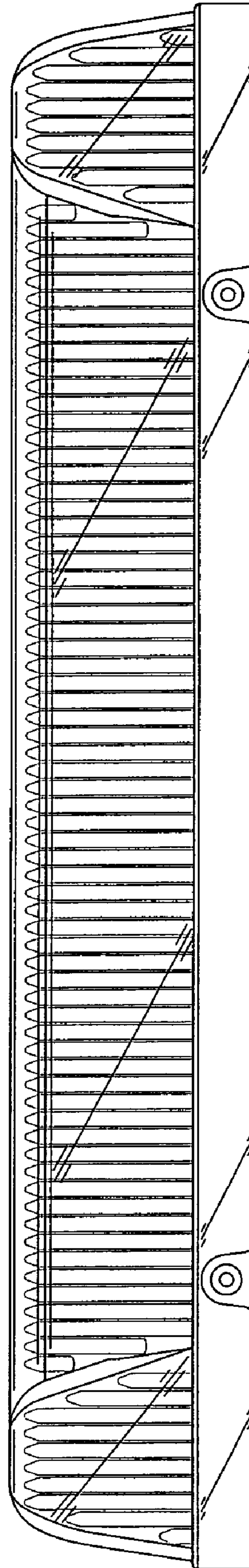


FIG. 8

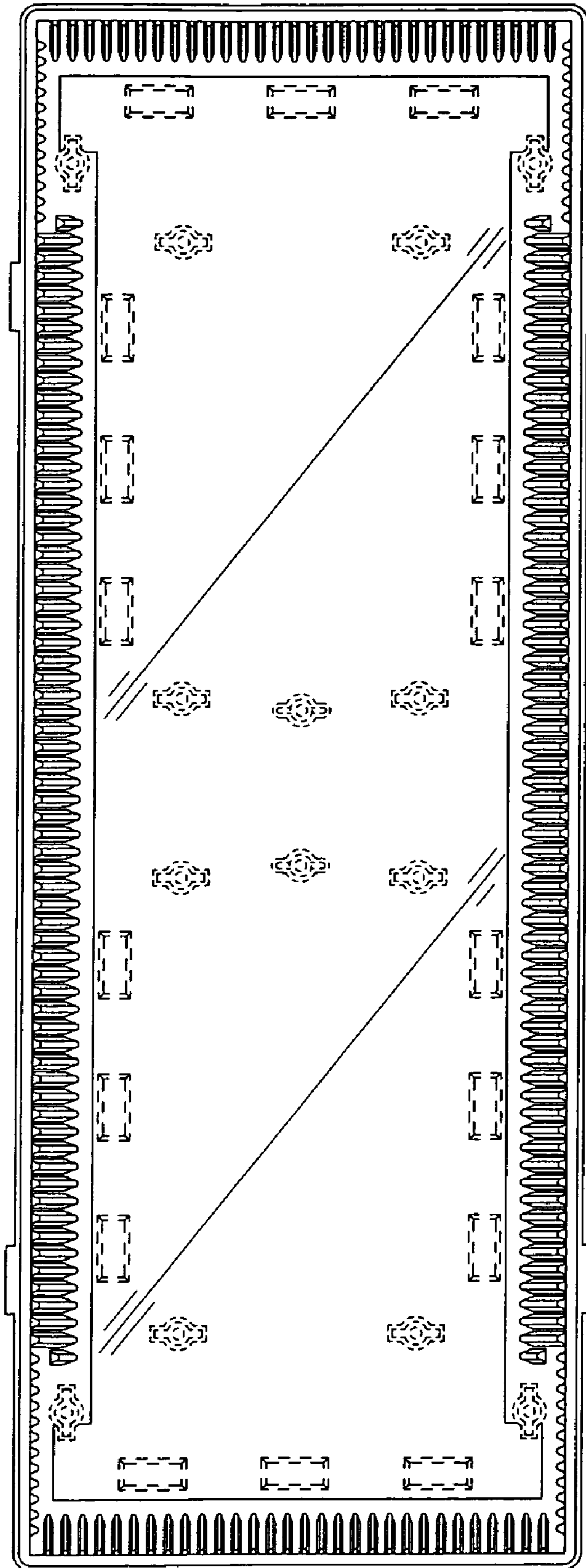


FIG. 9

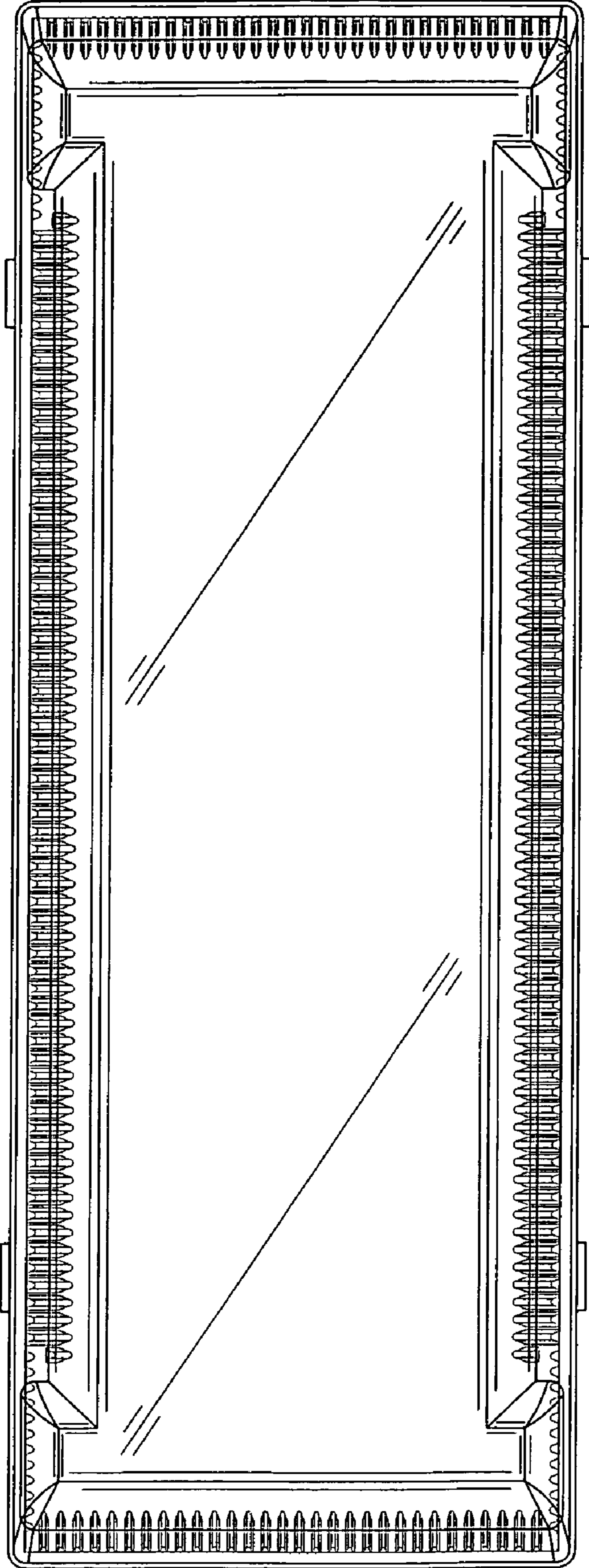


FIG. 10