



US00D583690S

(12) **United States Design Patent**
Zeman

(10) **Patent No.:** **US D583,690 S**

(45) **Date of Patent:** **** Dec. 30, 2008**

(54) **DIAL INDICATOR HOLDER GAGE**

(57) **CLAIM**

(76) **Inventor:** **Joseph A. Zeman**, 4305 W. Puetz Rd.,
Franklin, WI (US) 53132

The ornamental design for a dial indicator holder gage, as shown and described.

(**) **Term:** **14 Years**

DESCRIPTION

(21) **Appl. No.:** **29/281,525**

FIG. 1 is a perspective view of a dial indicator holder gage incorporating my new design;

(22) **Filed:** **Jun. 26, 2007**

FIG. 2 is a left side view thereof without a dial indicator in dashed lines;

(51) **LOC (8) Cl.** **10-04**

FIG. 3 is a right side view thereof;

(52) **U.S. Cl.** **D10/74**

FIG. 4 is a rear elevation view thereof without a dial indicator and knob in dashed lines;

(58) **Field of Classification Search** D10/73,
D10/74; 33/675.1, 679.1, 792, 794, 832,
33/833, 834, 838

See application file for complete search history.

FIG. 5 is a front elevation view thereof;

FIG. 6 is a bottom plan view thereof; and,

(56) **References Cited**

U.S. PATENT DOCUMENTS

FIG. 7 is a top plan view thereof without a dial indicator and knob in dashed lines.

7,356,941 B2 * 4/2008 Karwowski 33/828

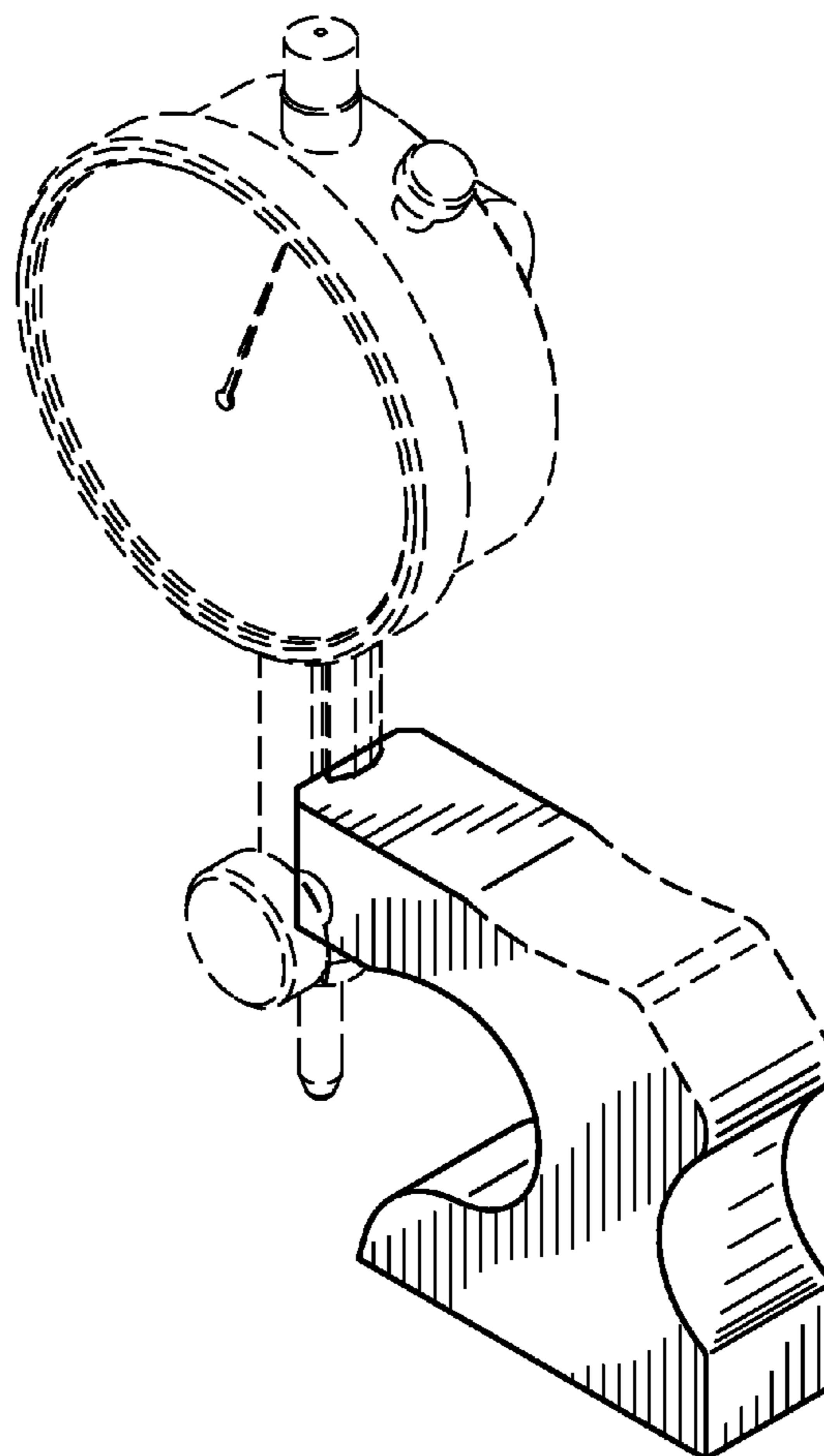
The broken line showing of structural features is included for the purpose of illustrating non-claimed subject matter and forms no part of the claimed design.

* cited by examiner

Primary Examiner—Antoine D Davis

1 Claim, 4 Drawing Sheets

(74) *Attorney, Agent, or Firm*—Donald J. Ersler



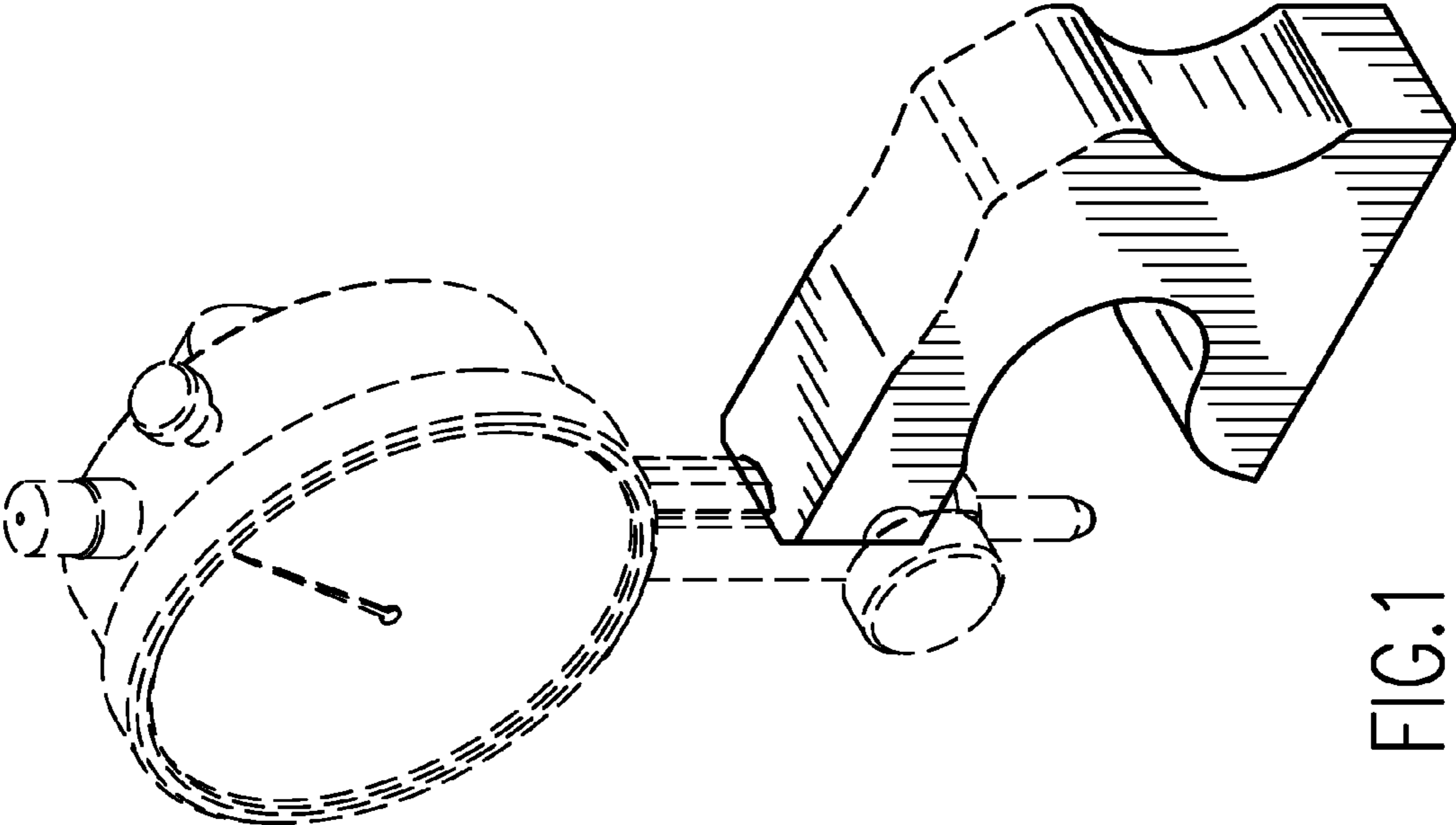


FIG. 1

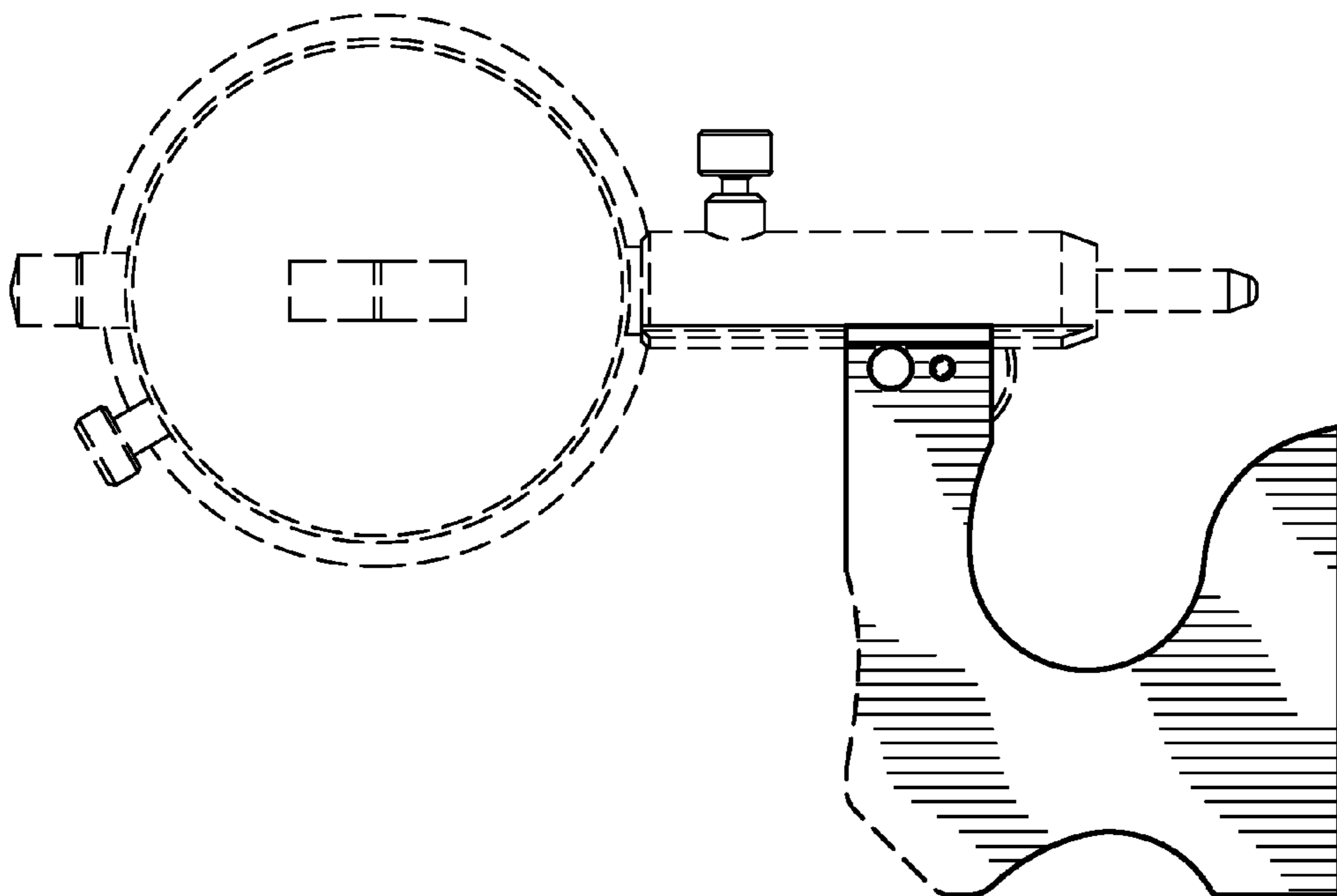


FIG.3

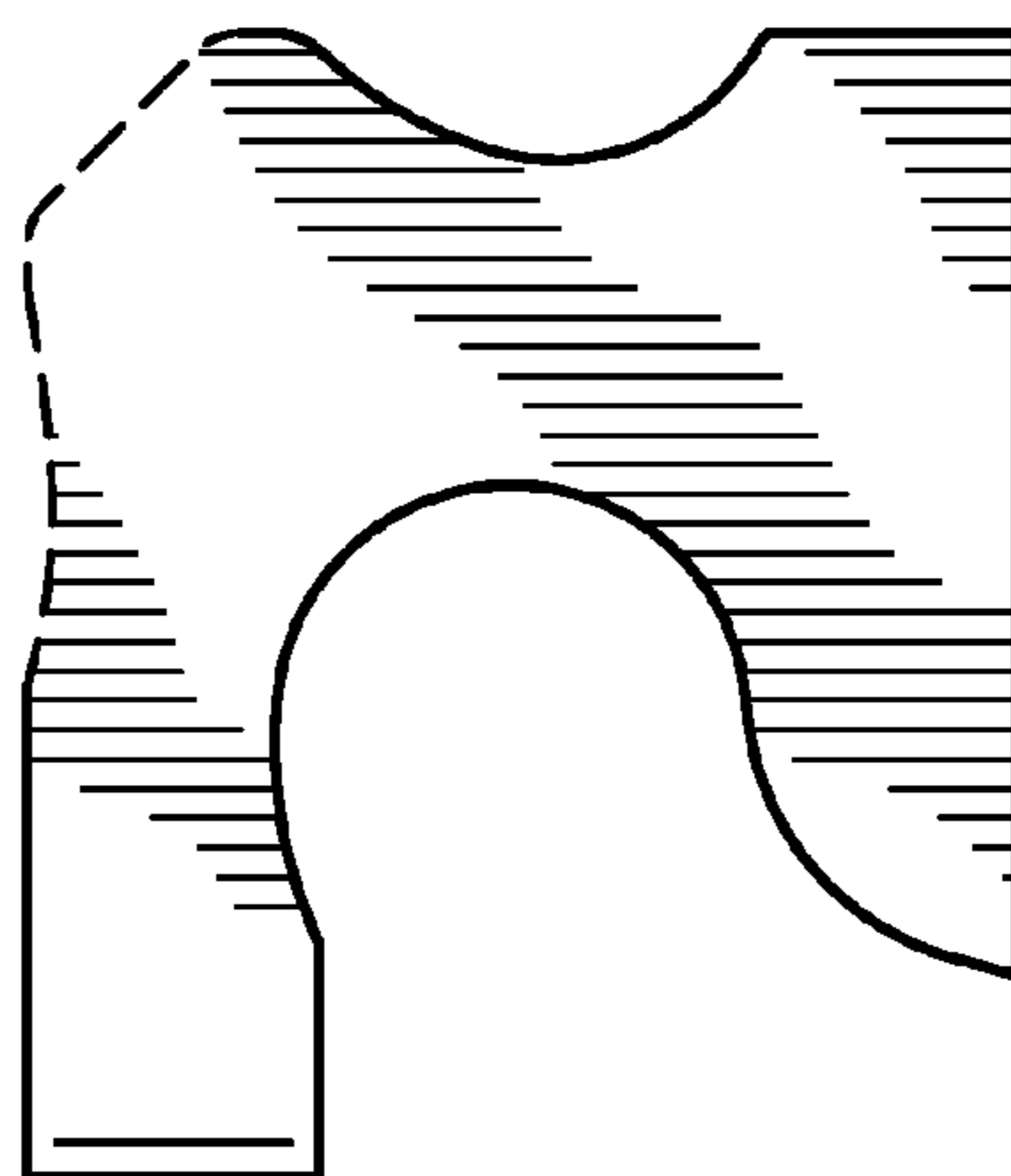


FIG.2

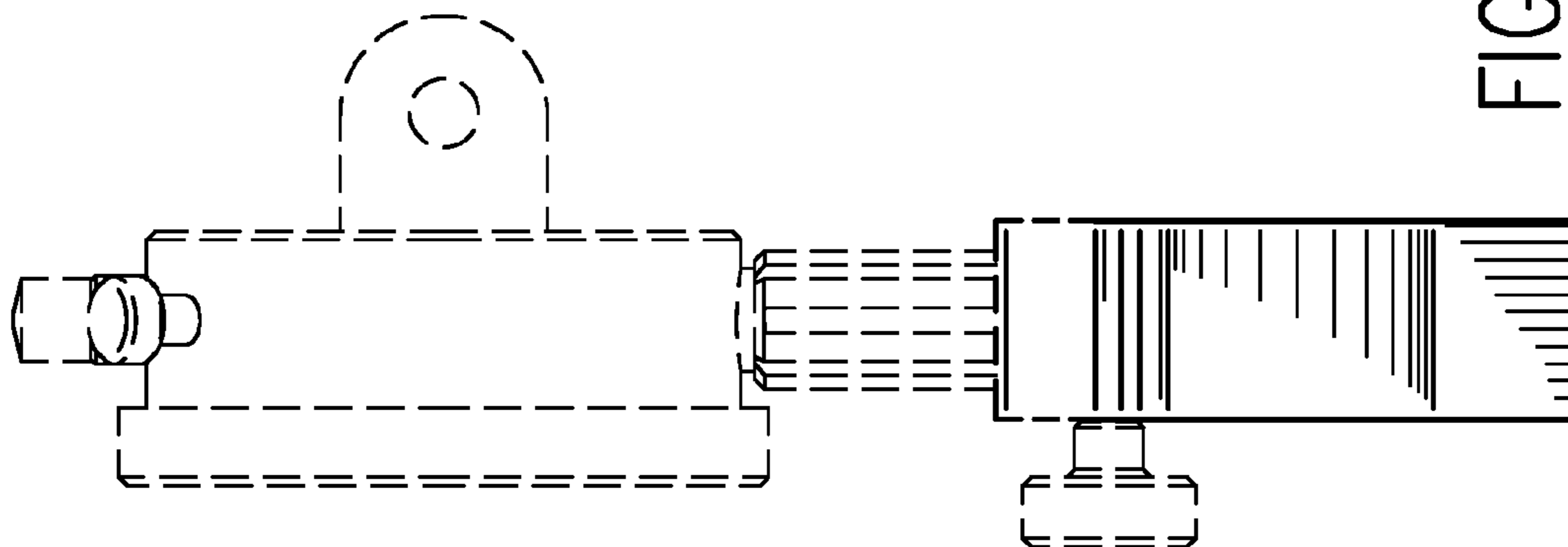


FIG. 5

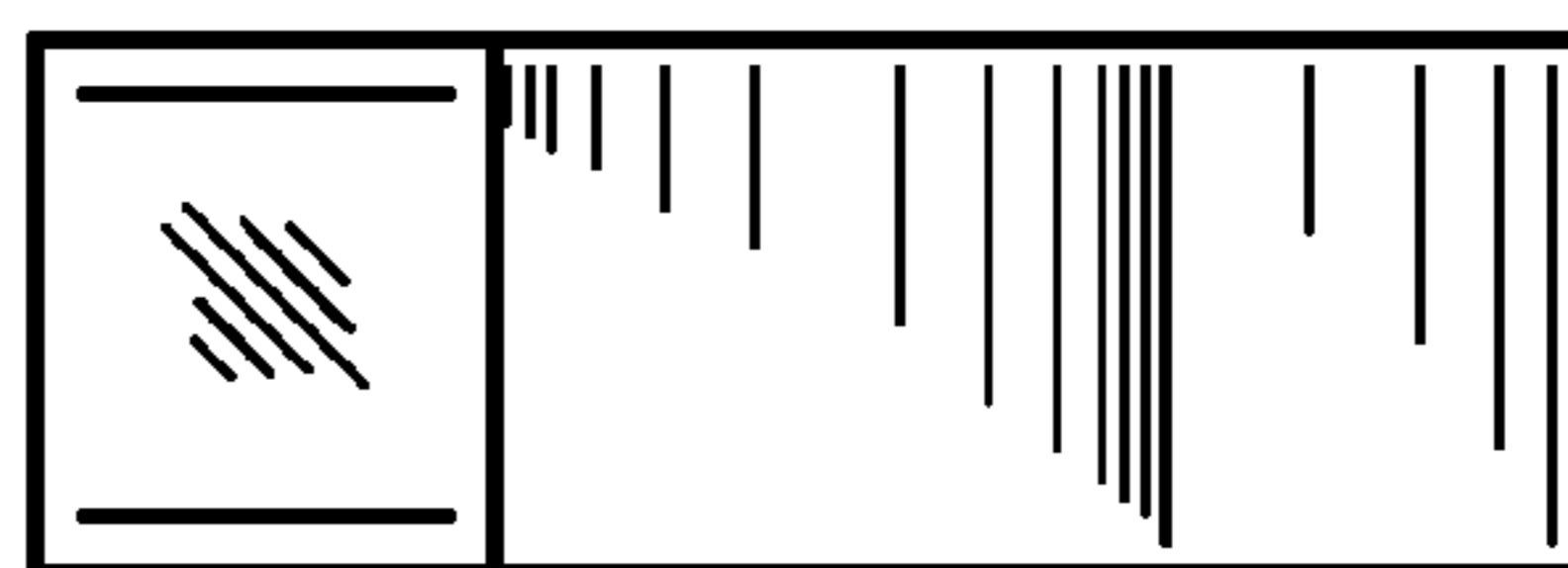


FIG. 4

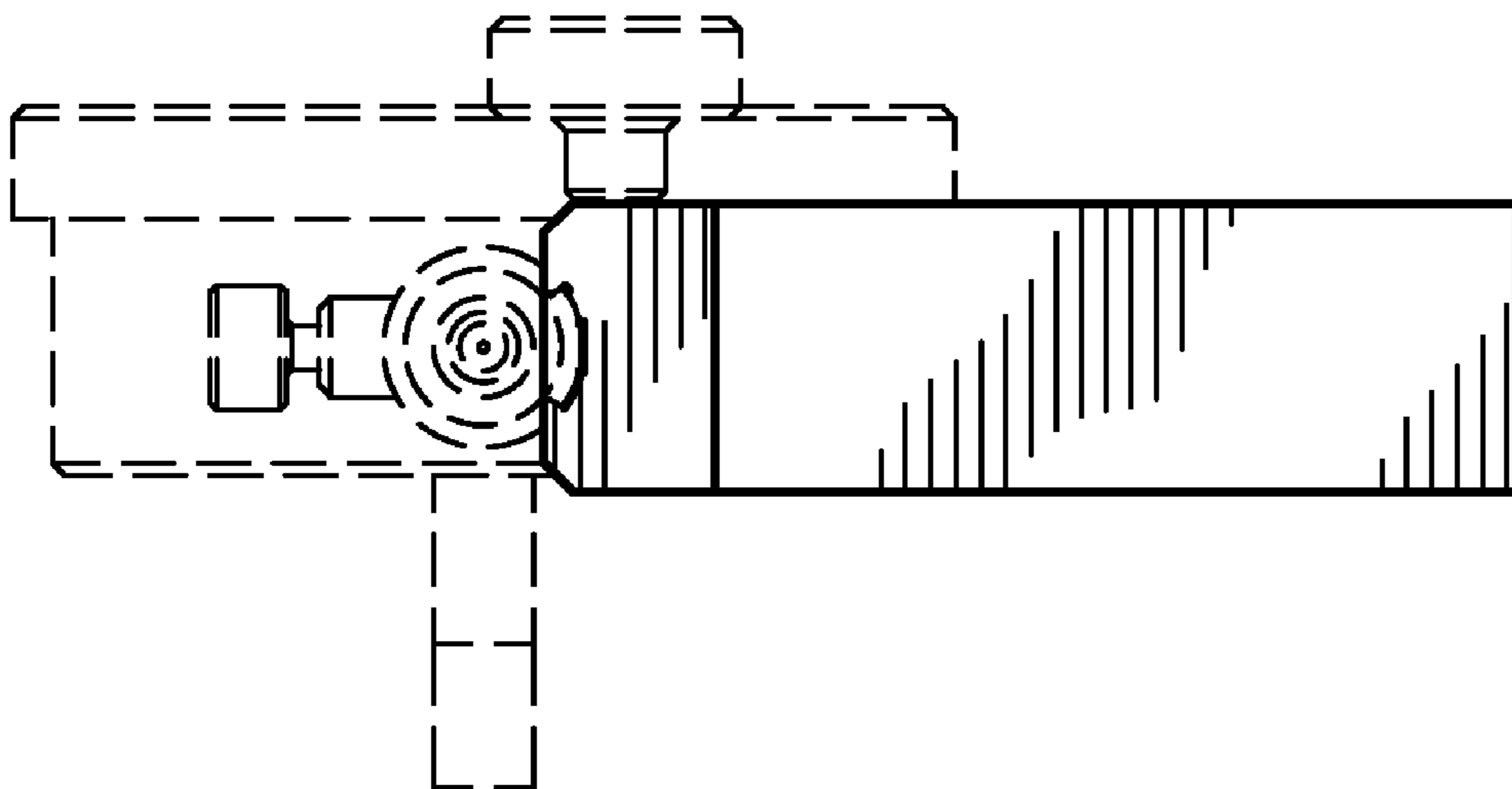


FIG. 6

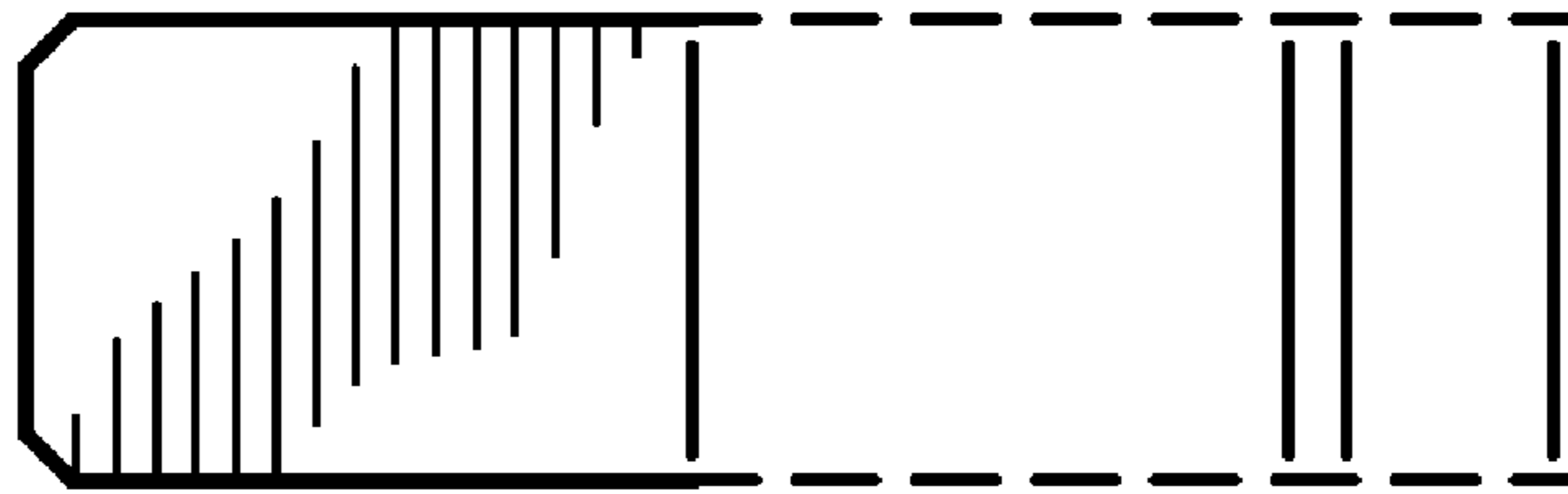


FIG. 7